



US00D579487S

(12) **United States Design Patent**
Yamada

(10) **Patent No.:** **US D579,487 S**
(45) **Date of Patent:** **** Oct. 28, 2008**

(54) **PRINTER**

2007/0065222 A1* 3/2007 Nagata 400/693

(75) Inventor: **Wataru Yamada**, Tokyo (JP)

FOREIGN PATENT DOCUMENTS

(73) Assignee: **Mitsubishi Electric Corporation**,
Tokyo (JP)

JP 911386 S 11/1994
JP 1016553 S 7/1998
JP 1207180 S 6/2004
JP 1271208 S 5/2006

(**) Term: **14 Years**

* cited by examiner

(21) Appl. No.: **29/274,611**

Primary Examiner—Cathy Anne MacCormac

(22) Filed: **May 9, 2007**

(74) *Attorney, Agent, or Firm*—Sughrue Mion, PLLC

(30) **Foreign Application Priority Data**

(57) **CLAIM**

Jan. 17, 2007 (JP) 2007-000692

The ornamental design for a printer, as shown and described.

(51) **LOC (8) Cl.** **18-02**

DESCRIPTION

(52) **U.S. Cl.** **D18/50**

(58) **Field of Classification Search** D18/36–39,
D18/50, 54, 54.1, 55, 14, 19; D14/420–425,
D14/462–470; 400/613, 613.1–613.4, 690.1–690.4,
400/691–694

FIG. 1 is a front, top-and right side perspective view of an printer, showing our new design;

FIG. 2 is a front elevational view thereof;

FIG. 3 is a rear elevational view thereof;

FIG. 4 is a top plan view thereof;

FIG. 5 is a bottom plan view thereof;

FIG. 6 is a right side elevational view thereof;

FIG. 7 is a left side elevational view thereof;

FIG. 8 is cross-sectional view thereof; taken along line 8—8 of FIG. 2, with the internal system omitted; and,

FIG. 9 is a reference front elevational view with the array of six light-transmitting indicators drawn by dark ink.

See application file for complete search history.

(56) **References Cited**

U.S. PATENT DOCUMENTS

3,561,581 A * 2/1971 Takenaka D18/54
D318,288 S * 7/1991 Tashiro D18/54
D465,236 S * 11/2002 Fukasawa et al. D18/50
D474,805 S * 5/2003 Gotham et al. D18/50
D544,530 S * 6/2007 Omuro et al. D18/50
D558,819 S * 1/2008 Kimura et al. D18/50
D559,900 S * 1/2008 Kimura et al. D18/50

1 Claim, 5 Drawing Sheets

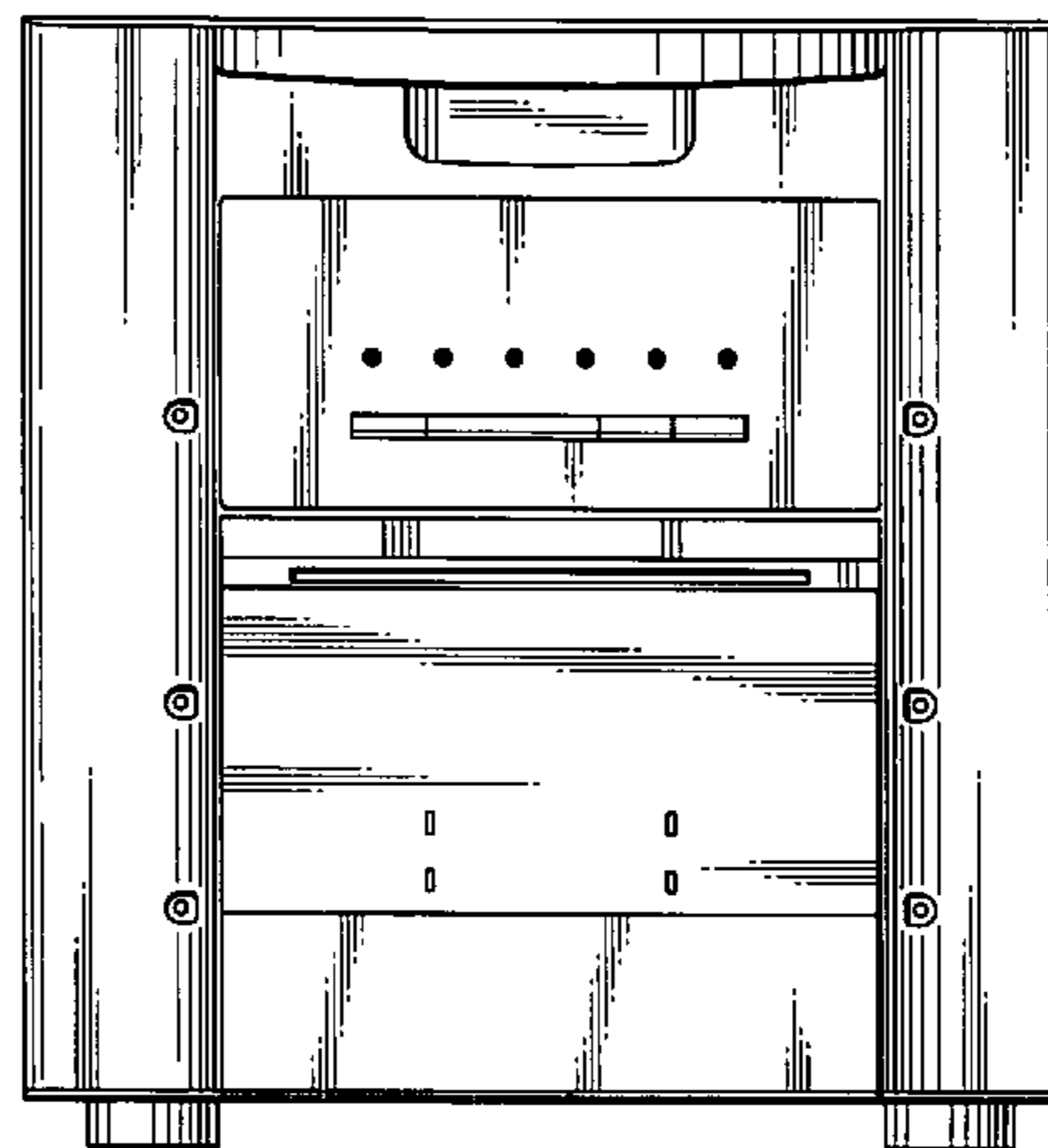
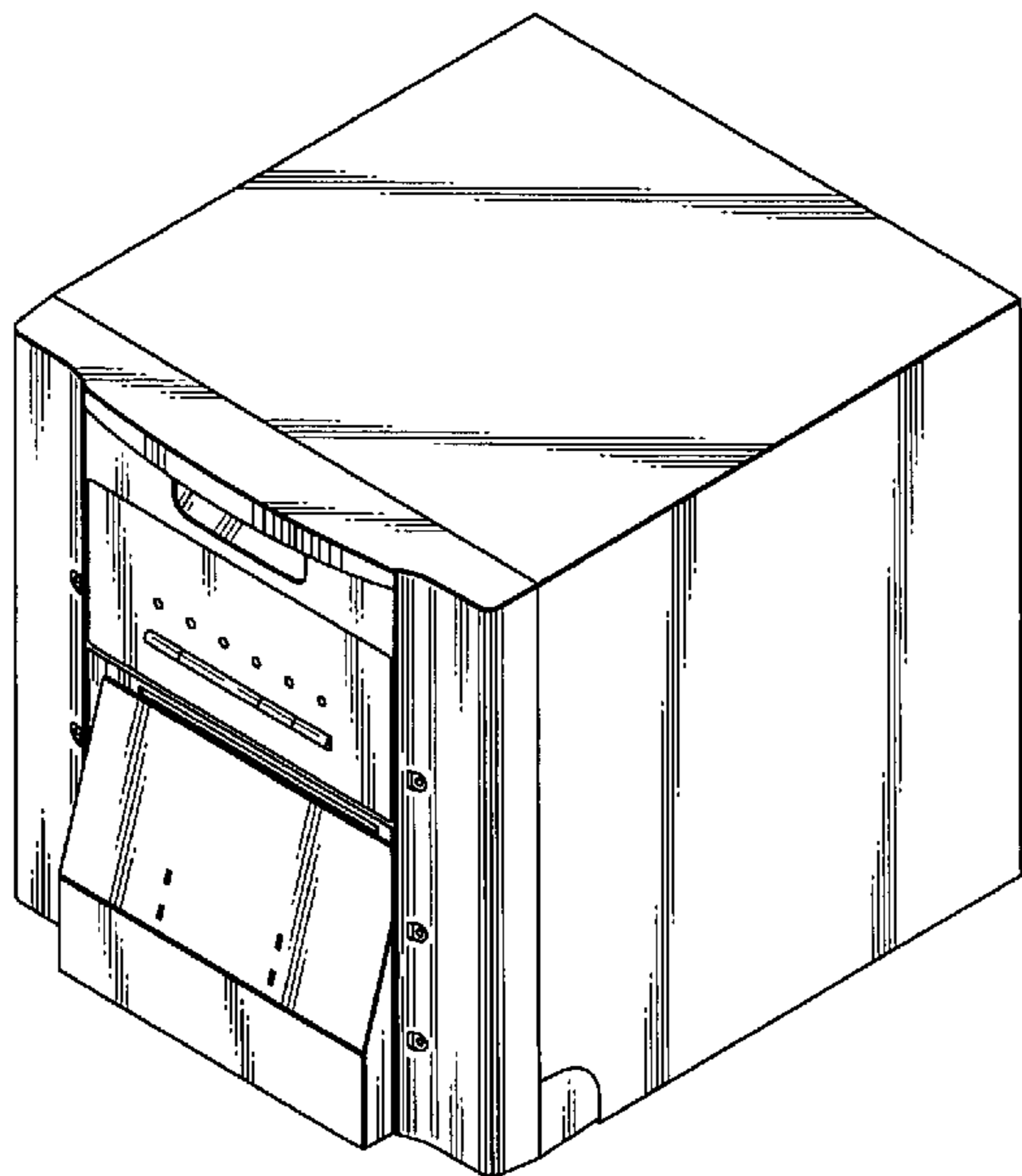


FIG. 1

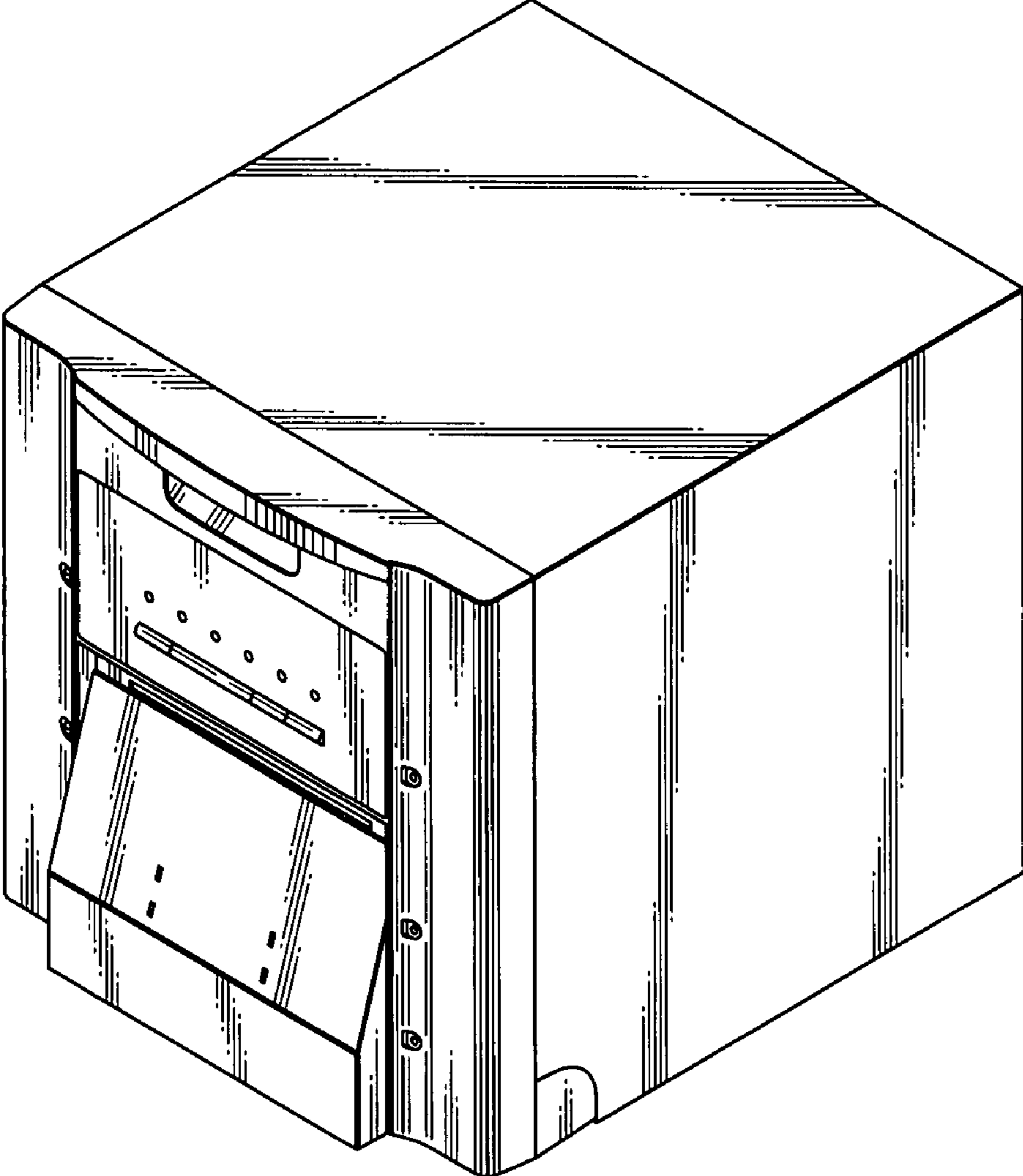


FIG.2

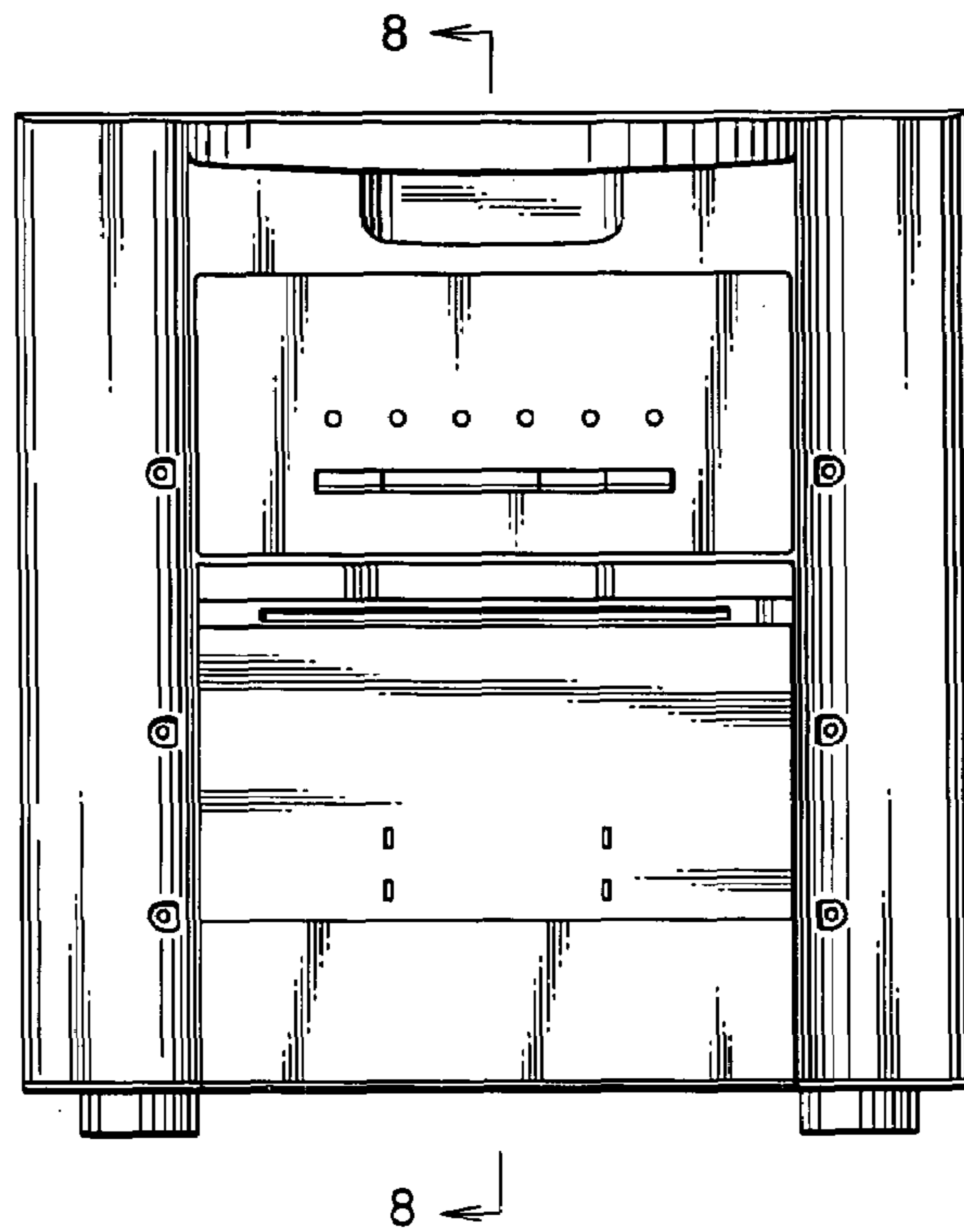


FIG.3

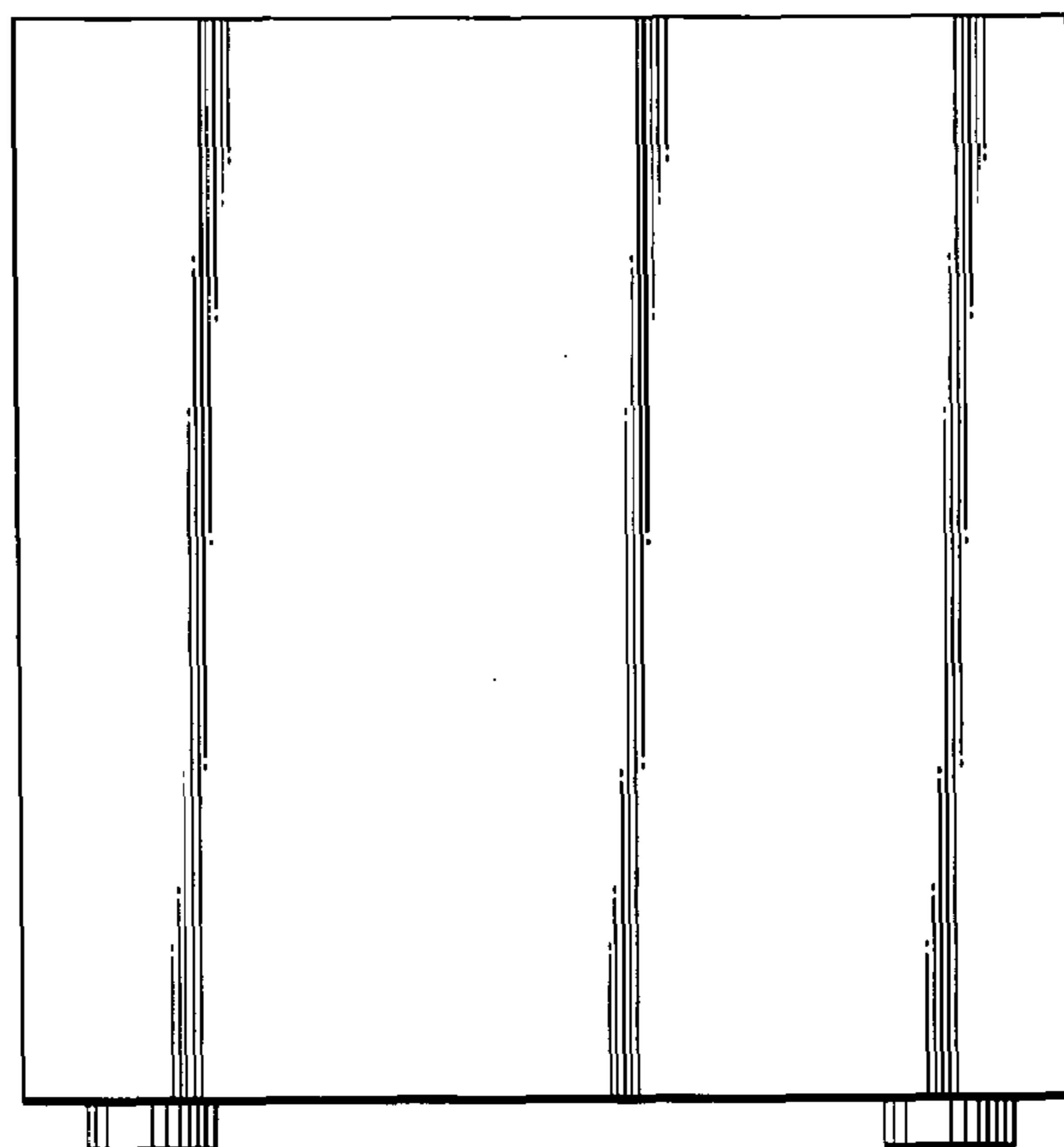


FIG.4

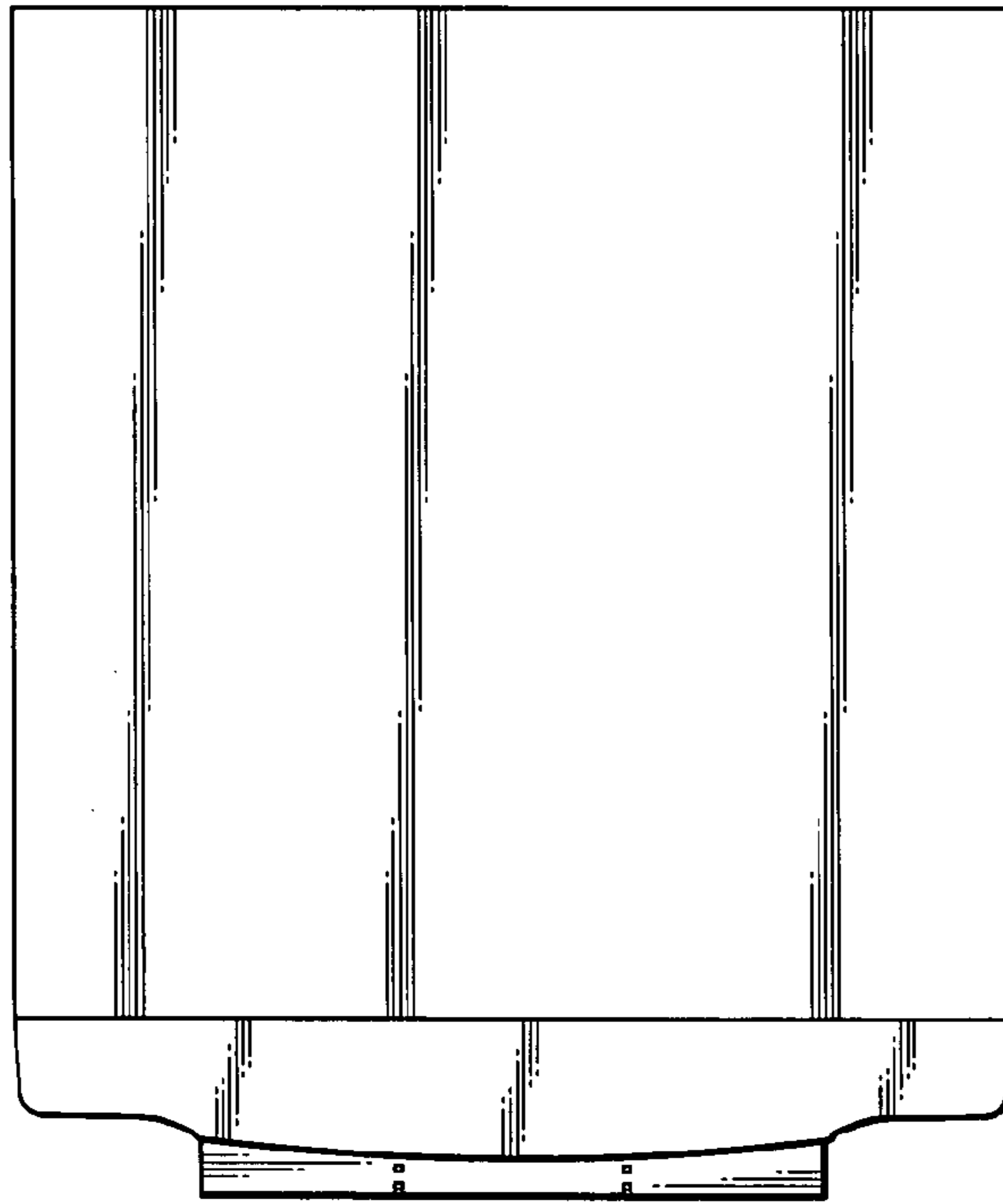


FIG.5

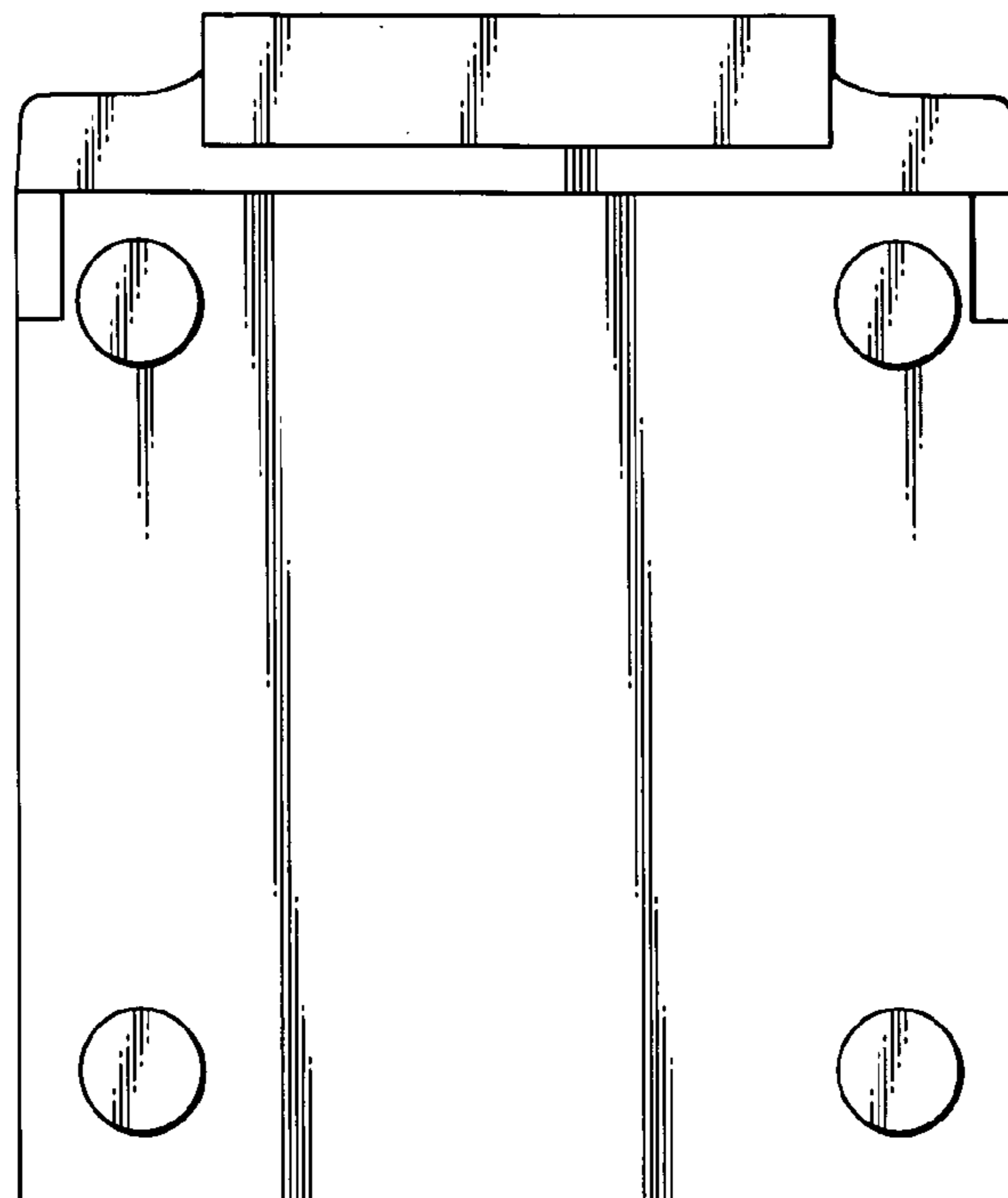


FIG.6

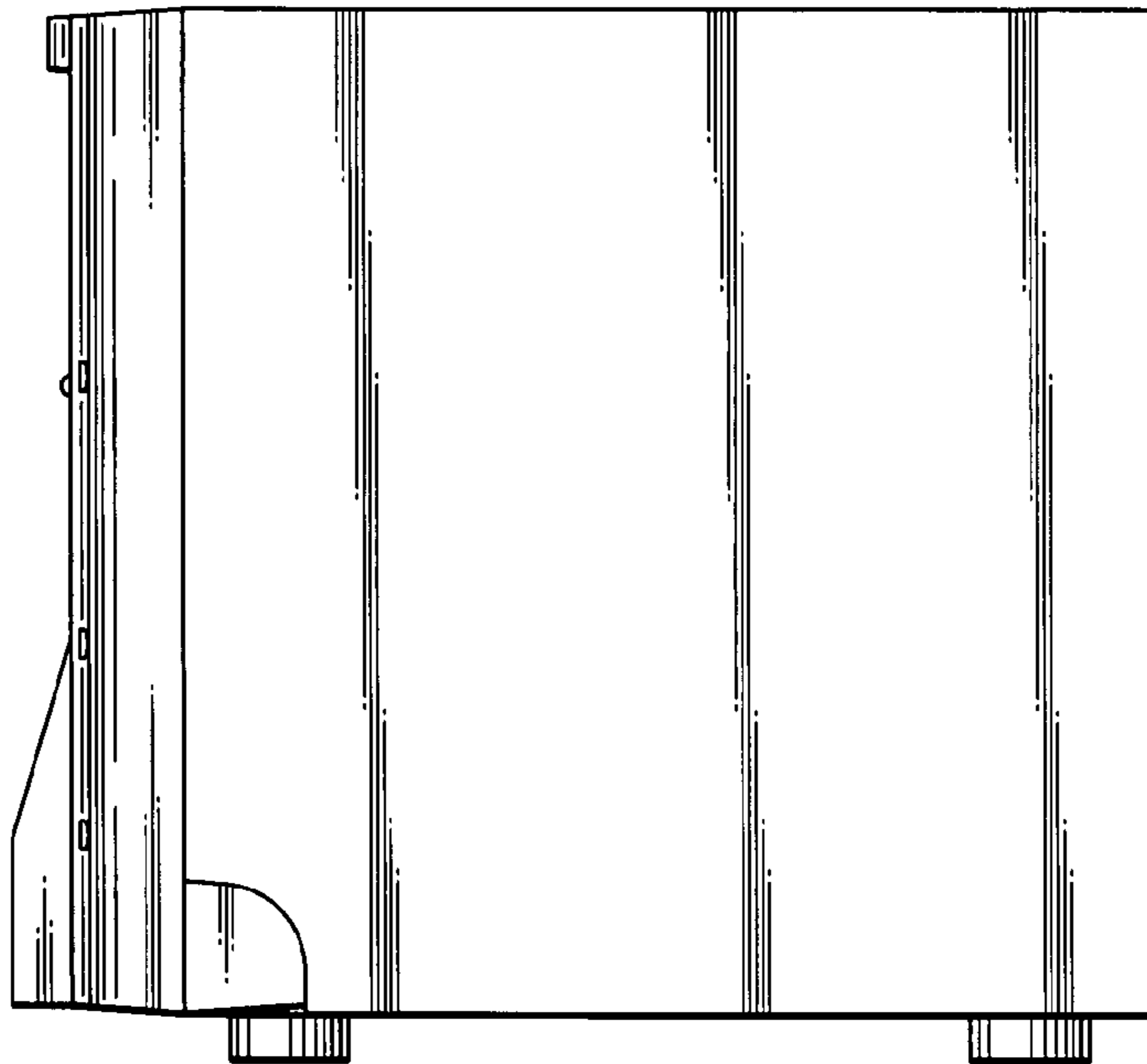


FIG.7



FIG.8

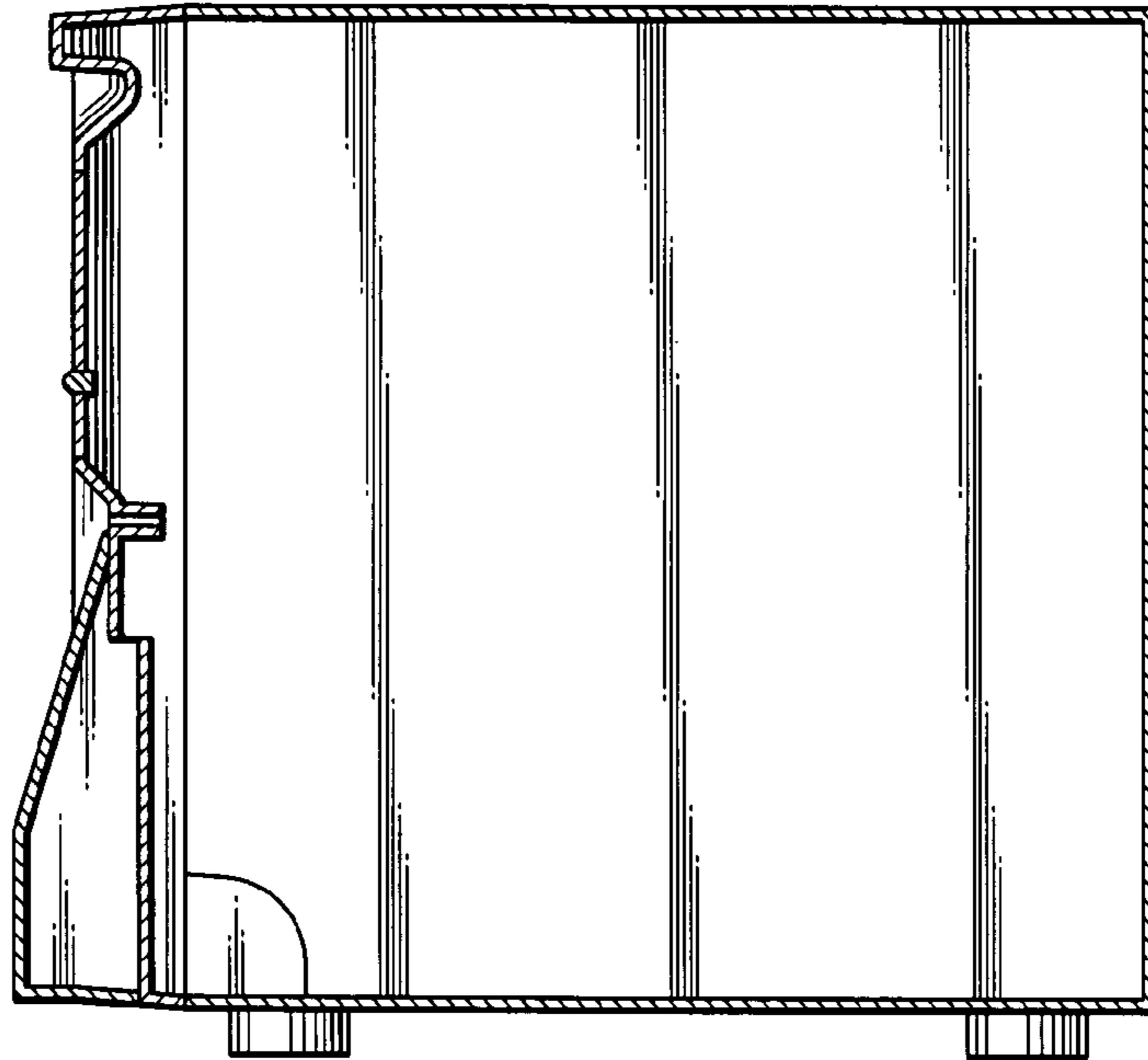


FIG.9

