



US00D579482S

(12) **United States Design Patent**
Gaze et al.

(10) **Patent No.:** **US D579,482 S**
(45) **Date of Patent:** **** Oct. 28, 2008**

(54) **DOCUMENT HANDLING APPARATUS**

(75) Inventors: **Martin Gaze**, Surrey (GB); **Angus Davidson**, Surrey (GB)

(73) Assignee: **De La Rue International Limited**, Basingstoke (GB)

(**) Term: **14 Years**

(21) Appl. No.: **29/287,844**

(22) Filed: **Sep. 27, 2007**

(30) **Foreign Application Priority Data**

Apr. 5, 2007 (EM) 000705769-0005

(51) **LOC (8) Cl.** **18-01**

(52) **U.S. Cl.** **D18/3.3; D14/308**

(58) **Field of Classification Search** D14/308,
D14/314, 441; D18/3.1-3.3, 4.1-4.6, 12.1-12.3,
D18/46-49; D99/28, 34, 35, 43, 99; 209/534;
382/135

See application file for complete search history.

(56) **References Cited**

U.S. PATENT DOCUMENTS

D81,411 S *	6/1930	Shipley	D18/4.2
D103,626 S *	3/1937	Beria	D18/4.2
D422,274 S *	4/2000	Jean et al.	D14/441
D439,254 S *	3/2001	Zhao	D14/441
D445,124 S *	7/2001	Naito	D18/3.3

D454,421 S *	3/2002	Jeon et al.	D99/28
D477,349 S *	7/2003	Osada	D18/3.1
D477,350 S *	7/2003	Gonzalez	D18/3.1
D481,519 S *	10/2003	Lee	D99/34
6,864,990 B1 *	3/2005	Nickerson et al.	382/135
D534,705 S *	1/2007	Kang et al.	D99/28
2002/0108891 A1 *	8/2002	Dunlop et al.	209/534

* cited by examiner

Primary Examiner—Caron D. Veynar

Assistant Examiner—Garth Rademaker

(74) *Attorney, Agent, or Firm*—Oliff & Berridge, PLC

(57) **CLAIM**

The ornamental design for a document handling apparatus, as shown and described.

DESCRIPTION

FIG. 1 is a perspective view of a document handling apparatus;

FIG. 2 is a front view thereof;

FIG. 3 is a top view thereof;

FIG. 4 is a right-side view thereof;

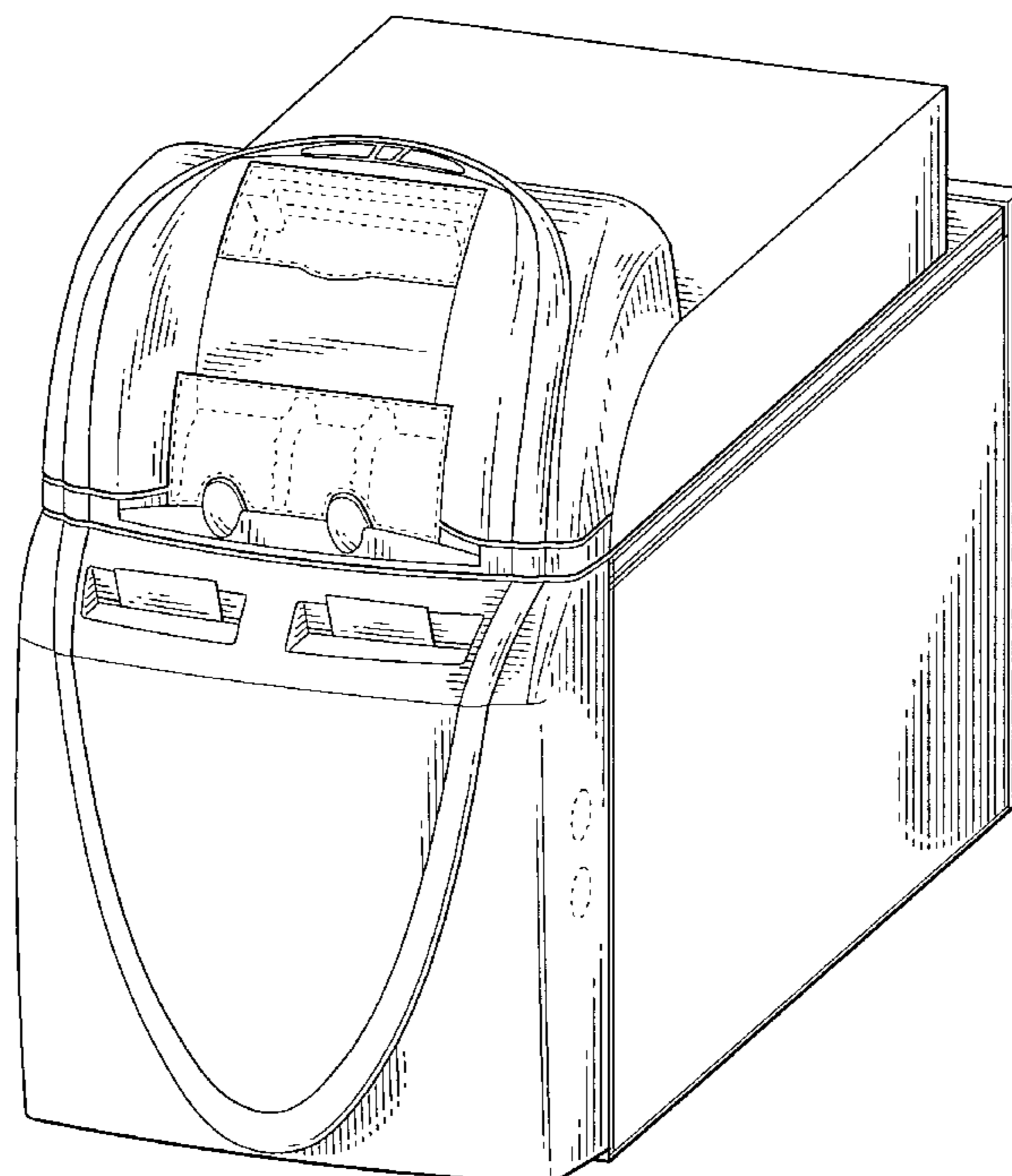
FIG. 5 is a left-side view thereof;

FIG. 6 is a bottom view thereof; and,

FIG. 7 is a rear view thereof.

The broken lines depict environmental subject matter only and form no part of the claimed design.

1 Claim, 7 Drawing Sheets



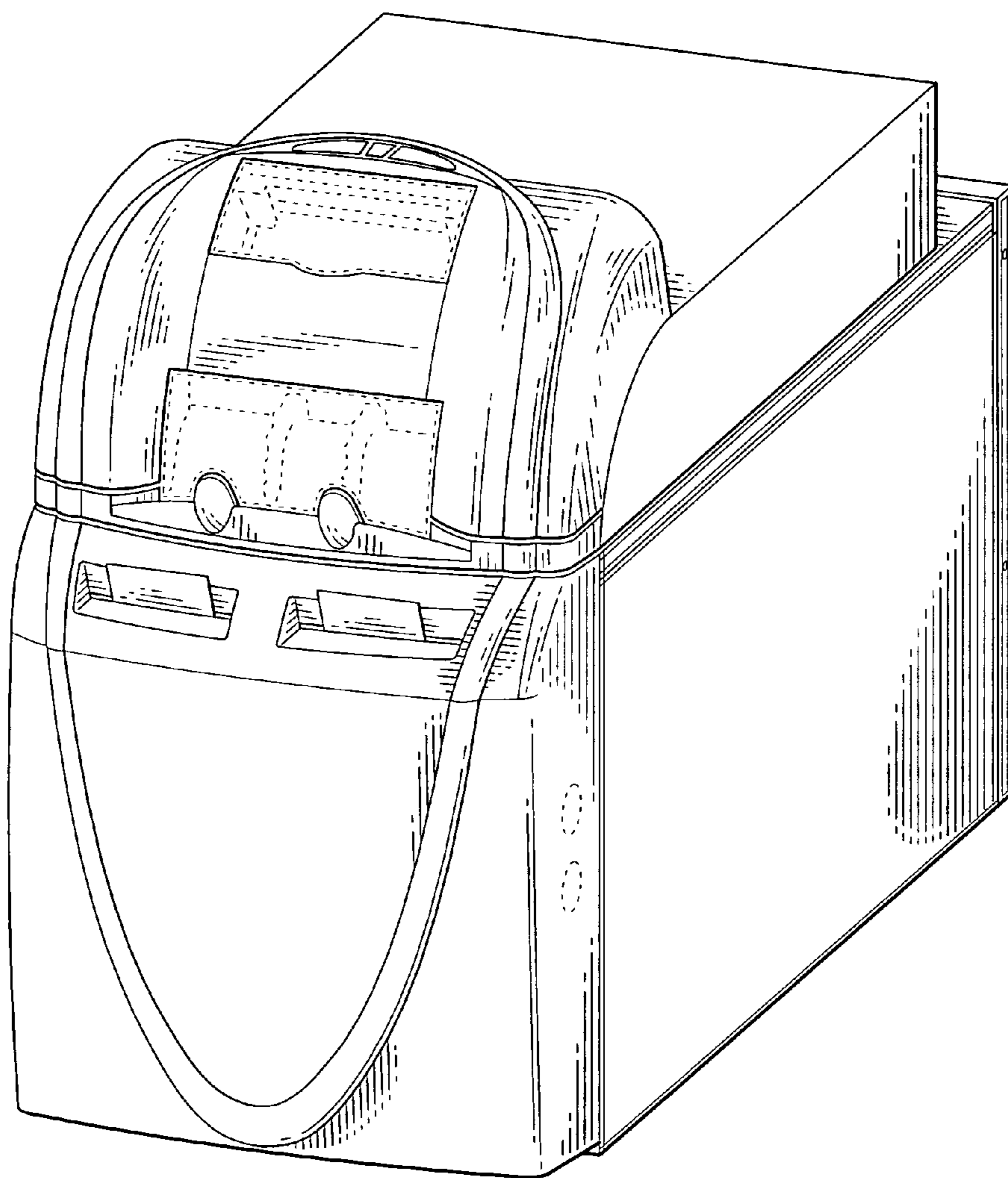


FIG. 1

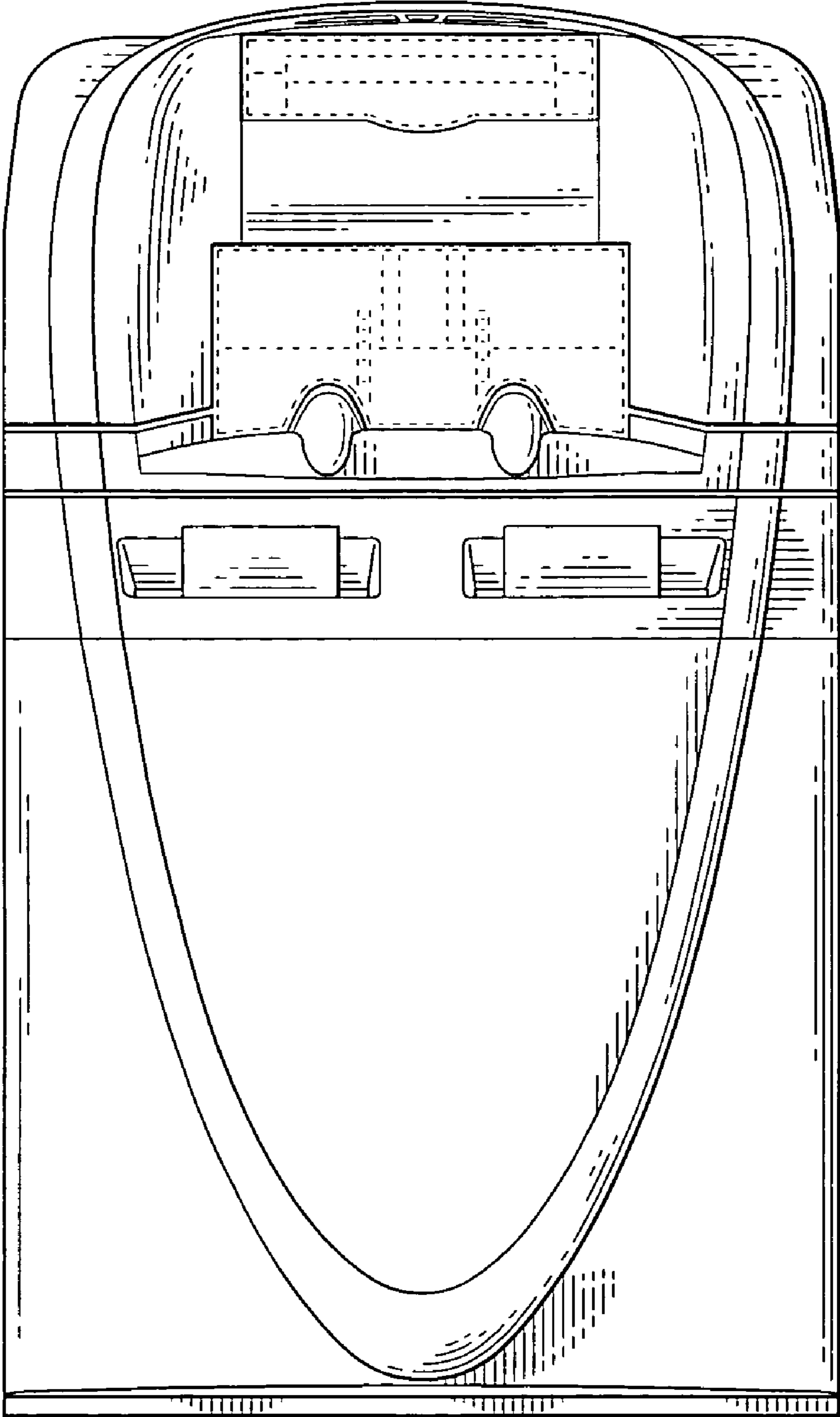


FIG. 2

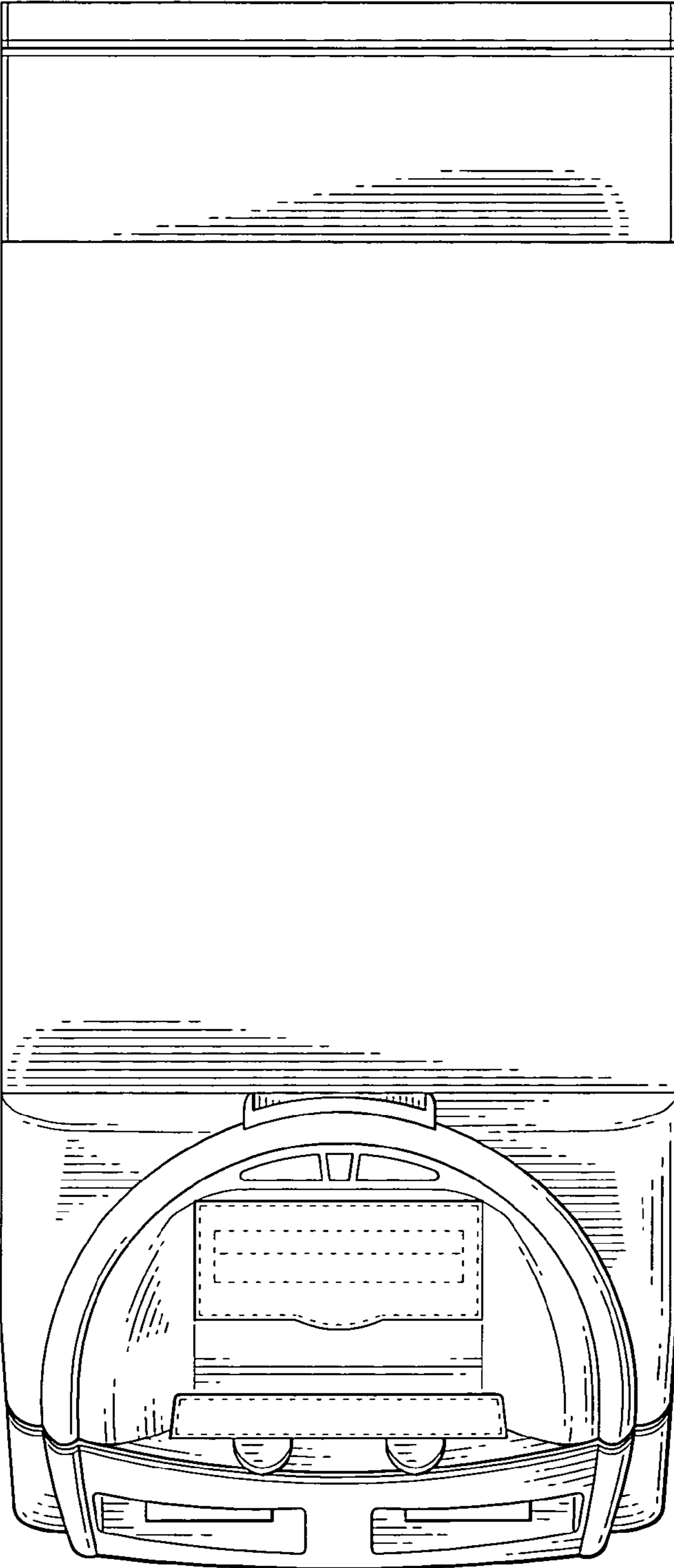


FIG. 3

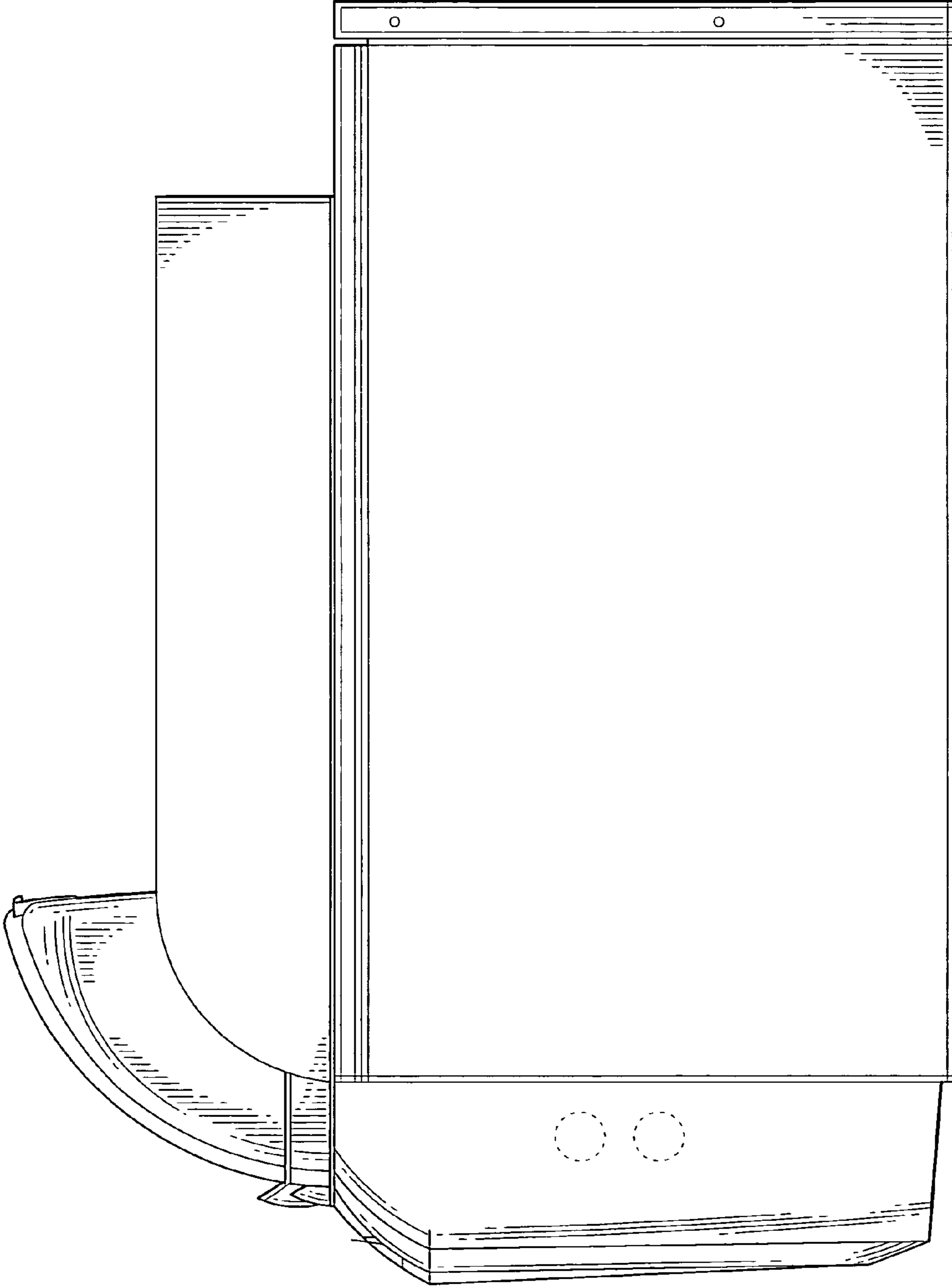


FIG. 4

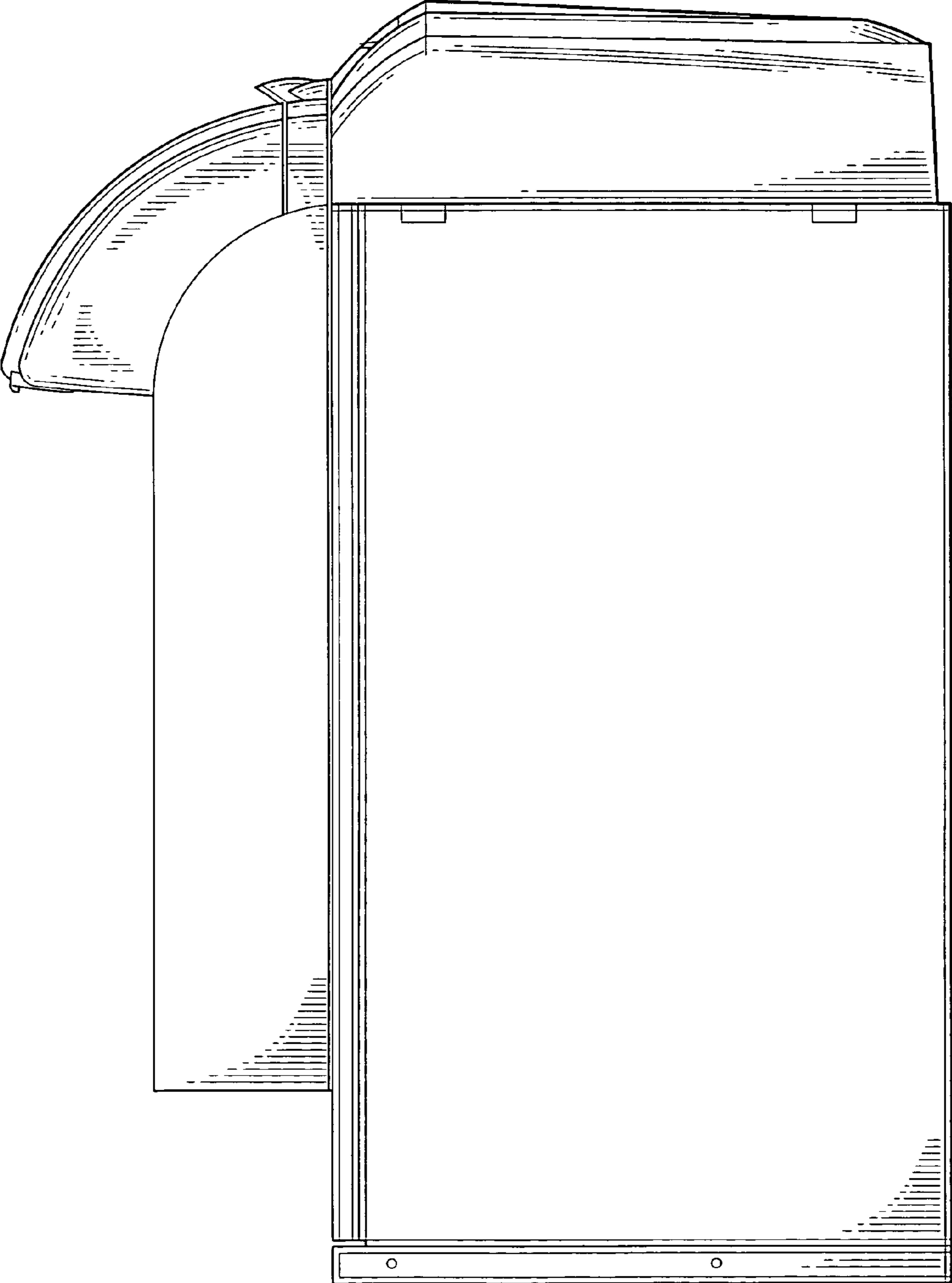


FIG. 5

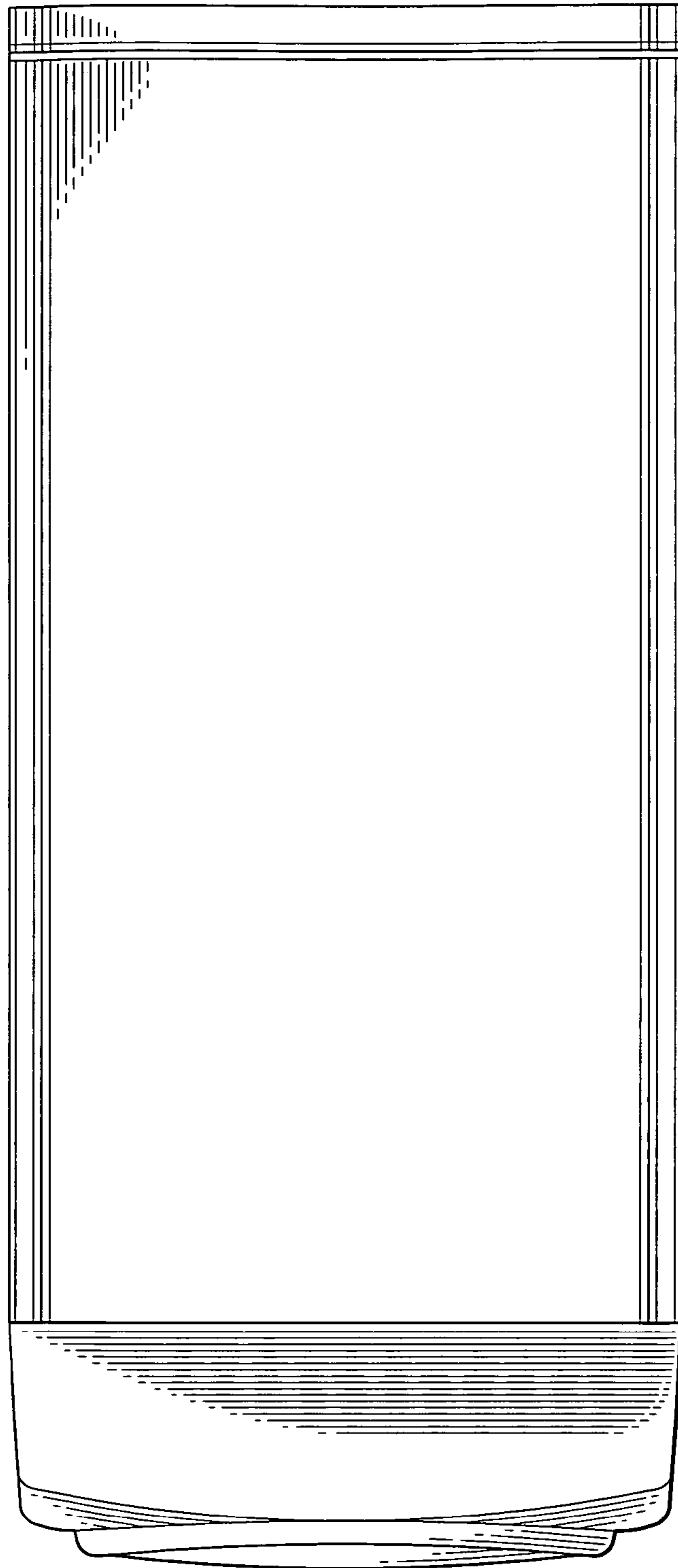


FIG. 6

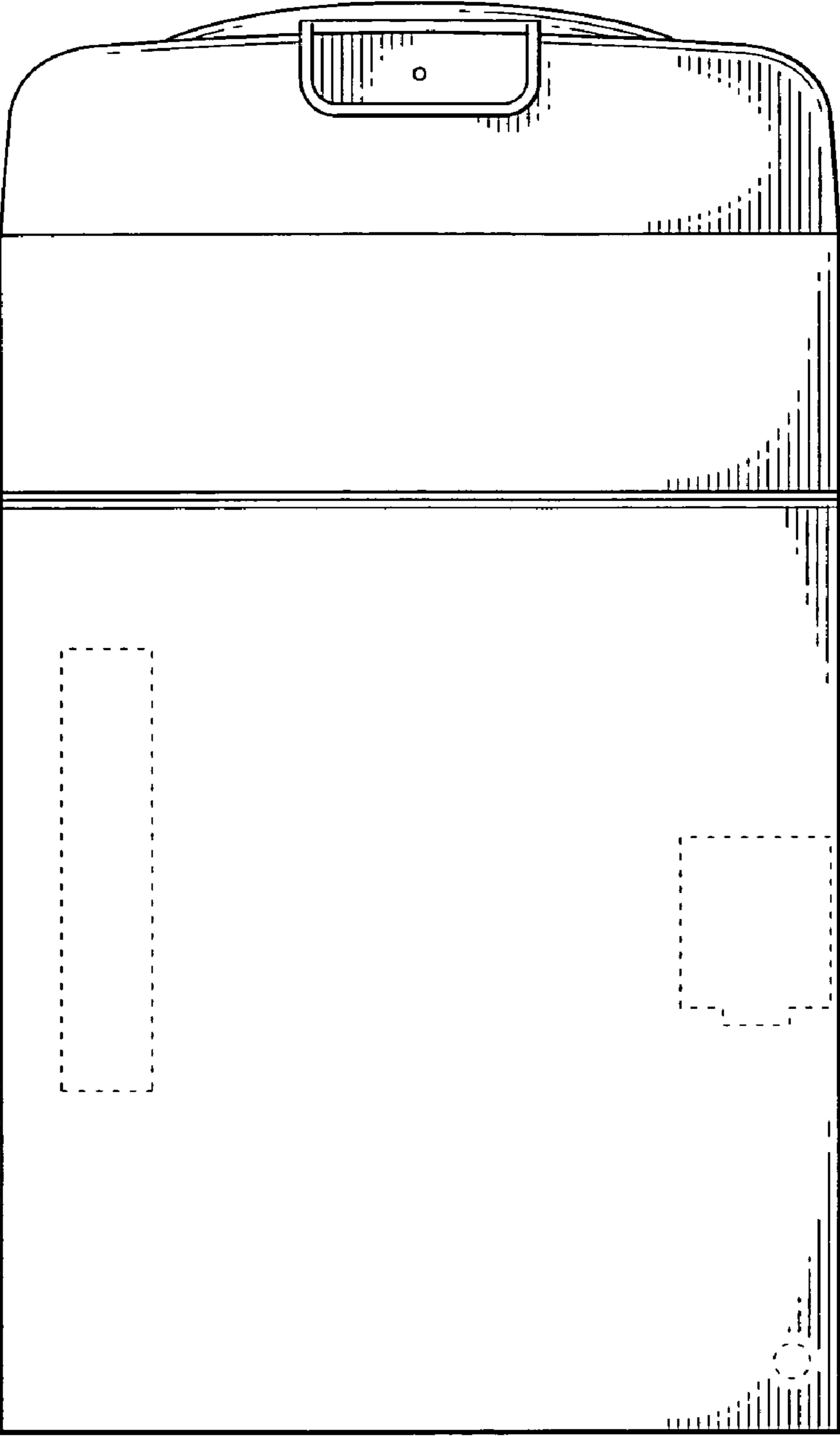


FIG. 7