



US00D579476S

(12) **United States Design Patent**
Yamada et al.

(10) **Patent No.:** **US D579,476 S**
(45) **Date of Patent:** **** *Oct. 28, 2008**

(54) **PROJECTOR**

(75) Inventors: **Takahisa Yamada**, Tokyo (JP);
Kiyotaka Fujita, Tokyo (JP); **Masayuki Ageishi**, Tokyo (JP); **Naoto Fukasawa**, Tokyo (JP)

(73) Assignee: **NEC Display Solutions, Ltd.**, Tokyo (JP)

(*) Notice: This patent is subject to a terminal disclaimer.

(**) Term: **14 Years**

(21) Appl. No.: **29/238,354**

(22) Filed: **Sep. 14, 2005**

(30) **Foreign Application Priority Data**

May 18, 2005 (JP) 2005-014263

(51) **LOC (8) Cl.** **16-02**

(52) **U.S. Cl.** **D16/230; D16/225**

(58) **Field of Classification Search** D8/300, D8/310, 370; D16/205, 208, 213, 221, 225, D16/229-231, 234-235; D21/514; 352/34, 352/242, 32, 202; 353/39, 115, 119, 122
See application file for complete search history.

(56) **References Cited**

U.S. PATENT DOCUMENTS

D449,060 S * 10/2001 Saeki et al. D16/230
D450,076 S * 11/2001 Fujimaki D16/230
D464,074 S * 10/2002 Miyazaki D16/230
D470,525 S * 2/2003 Nakayama et al. D16/231
D472,570 S * 4/2003 Takahashi D16/230
D474,799 S * 5/2003 Kawasaki et al. D16/230
D475,389 S * 6/2003 Kurokawa D16/230
D479,261 S * 9/2003 Kawasaki et al. D16/230
6,616,282 B2 * 9/2003 Ozawa 353/119
6,793,346 B2 * 9/2004 Nakano et al. 353/119
D498,490 S * 11/2004 Kawasaki et al. D16/231

D502,486 S * 3/2005 Kawasaki et al. D16/230
D505,440 S * 5/2005 Kawasaki et al. D16/231
2002/0048001 A1 * 4/2002 Fujimori 353/119

FOREIGN PATENT DOCUMENTS

JP 1010459 3/1998
JP 1010484 3/1998
JP 1072526 3/2000
JP 1072527 3/2000
JP 1081587 5/2000
JP 1201237 2/2004
JP 1220158 9/2004
JP 1239431 3/2005
JP 1239447 3/2005
JP 2005-014274 5/2005
JP 2005-014275 5/2005
JP 2005-015361 5/2005

* cited by examiner

Primary Examiner—Ian Simmons

Assistant Examiner—Wan Laymon

(74) *Attorney, Agent, or Firm*—Seyfarth Shaw LLP

(57) **CLAIM**

The ornamental design for a projector, as shown and described.

DESCRIPTION

FIG. 1 is a perspective view of a projector showing our new design.

FIG. 2 is a front elevational view thereof;

FIG. 3 is a rear elevational view thereof;

FIG. 4 is a left-side elevational view thereof;

FIG. 5 is a right-side elevational view thereof;

FIG. 6 is a top plan view thereof; and,

FIG. 7 is a bottom plan view thereof.

The broken lines in FIG. 3 are for illustrative purposes only and form no part of the claimed design.

1 Claim, 4 Drawing Sheets

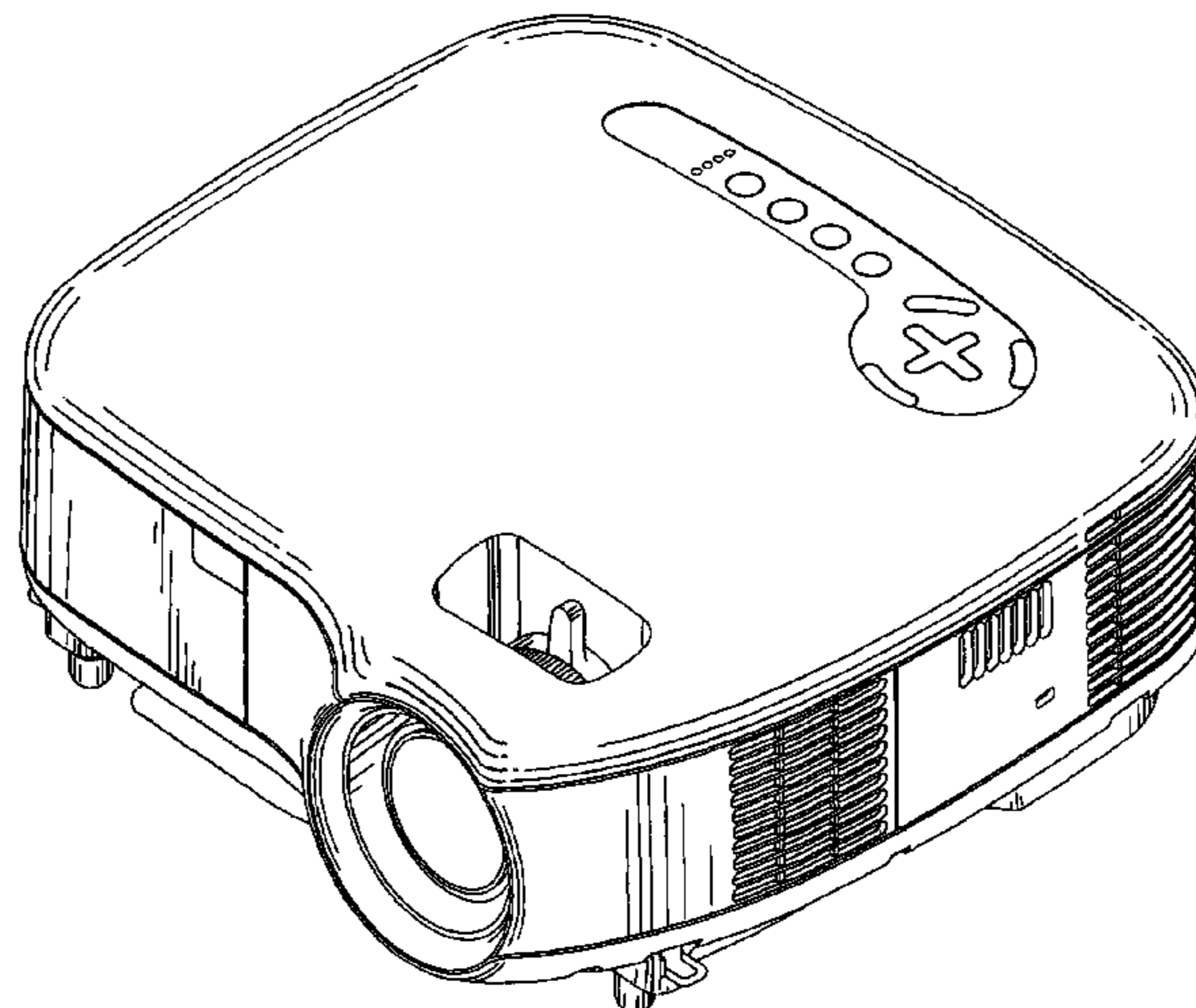


Fig. 1

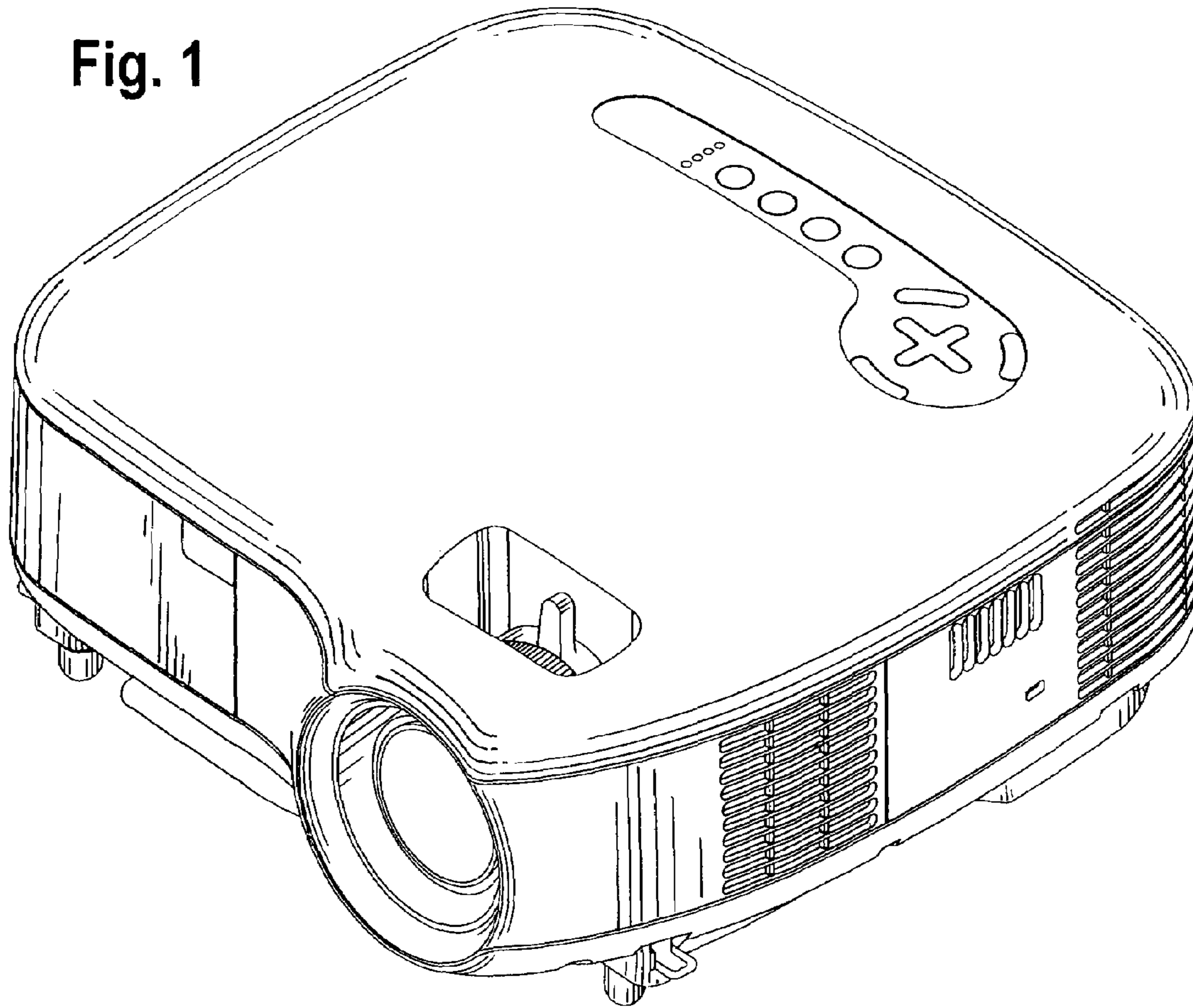


Fig. 2

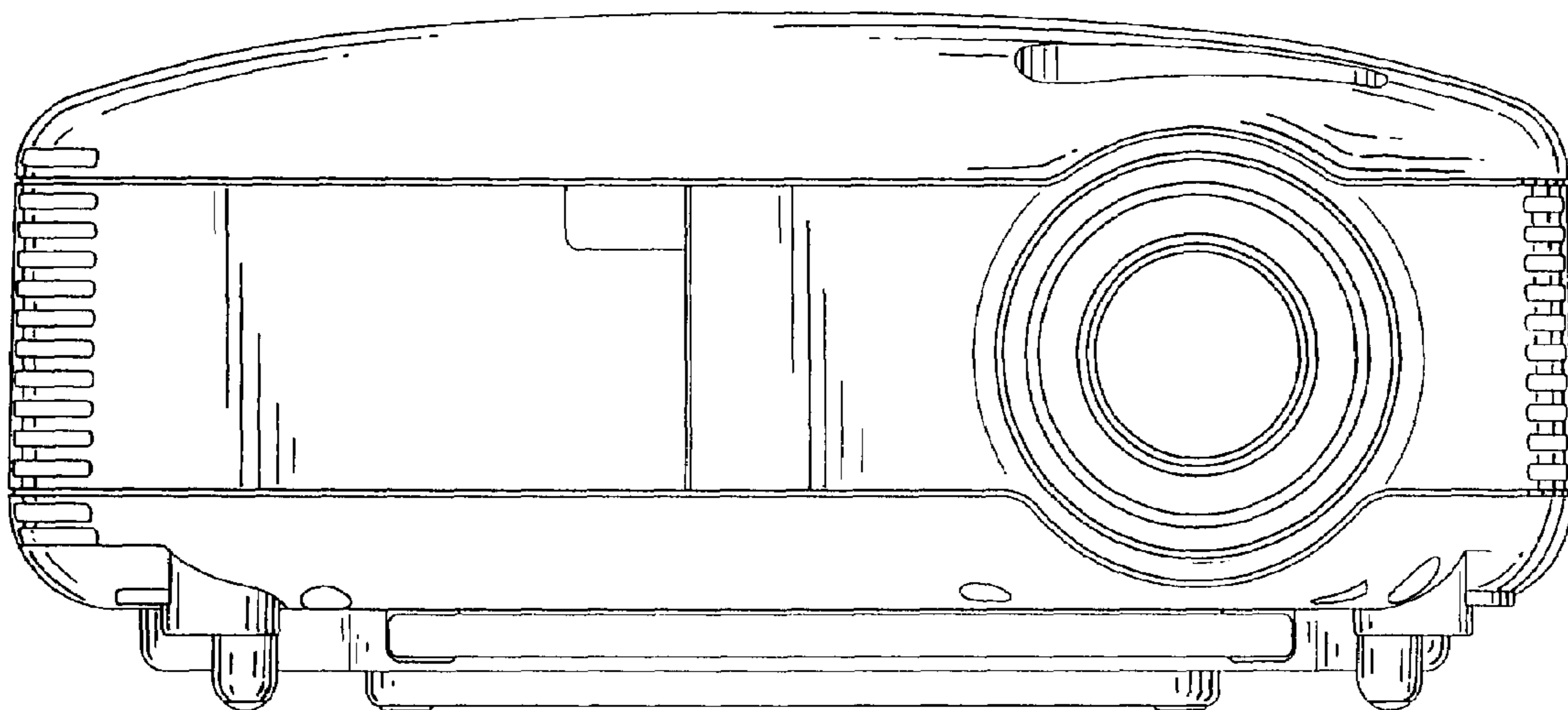


Fig. 3

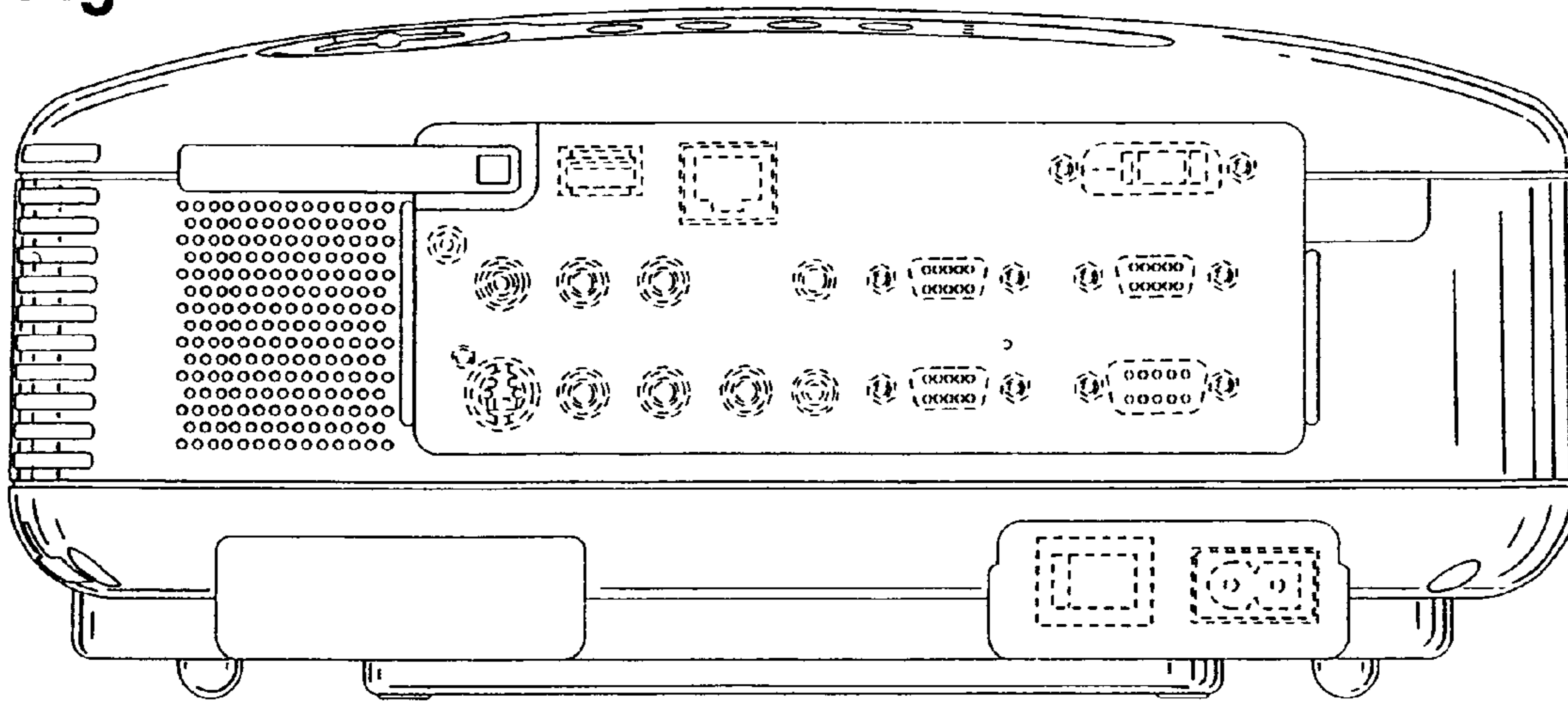


Fig. 4

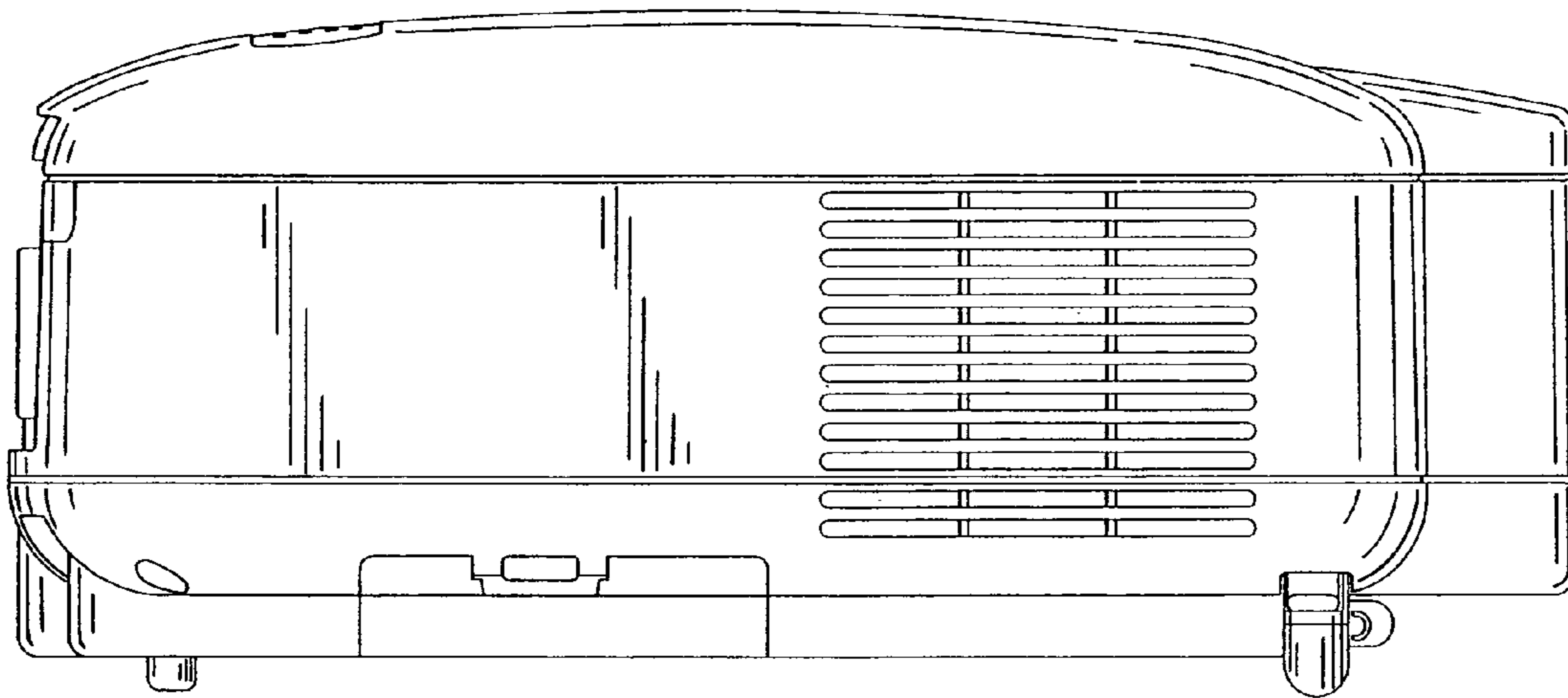


Fig. 5

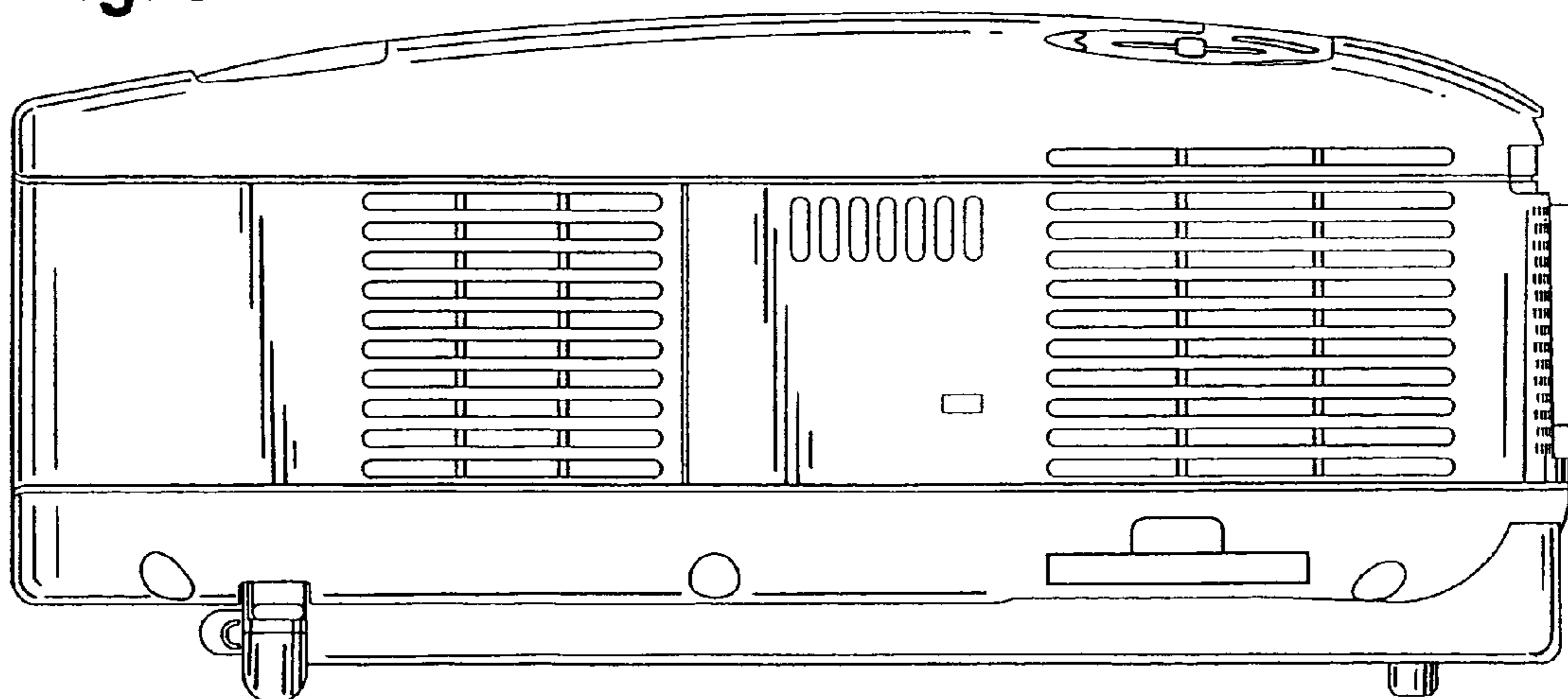


Fig. 6

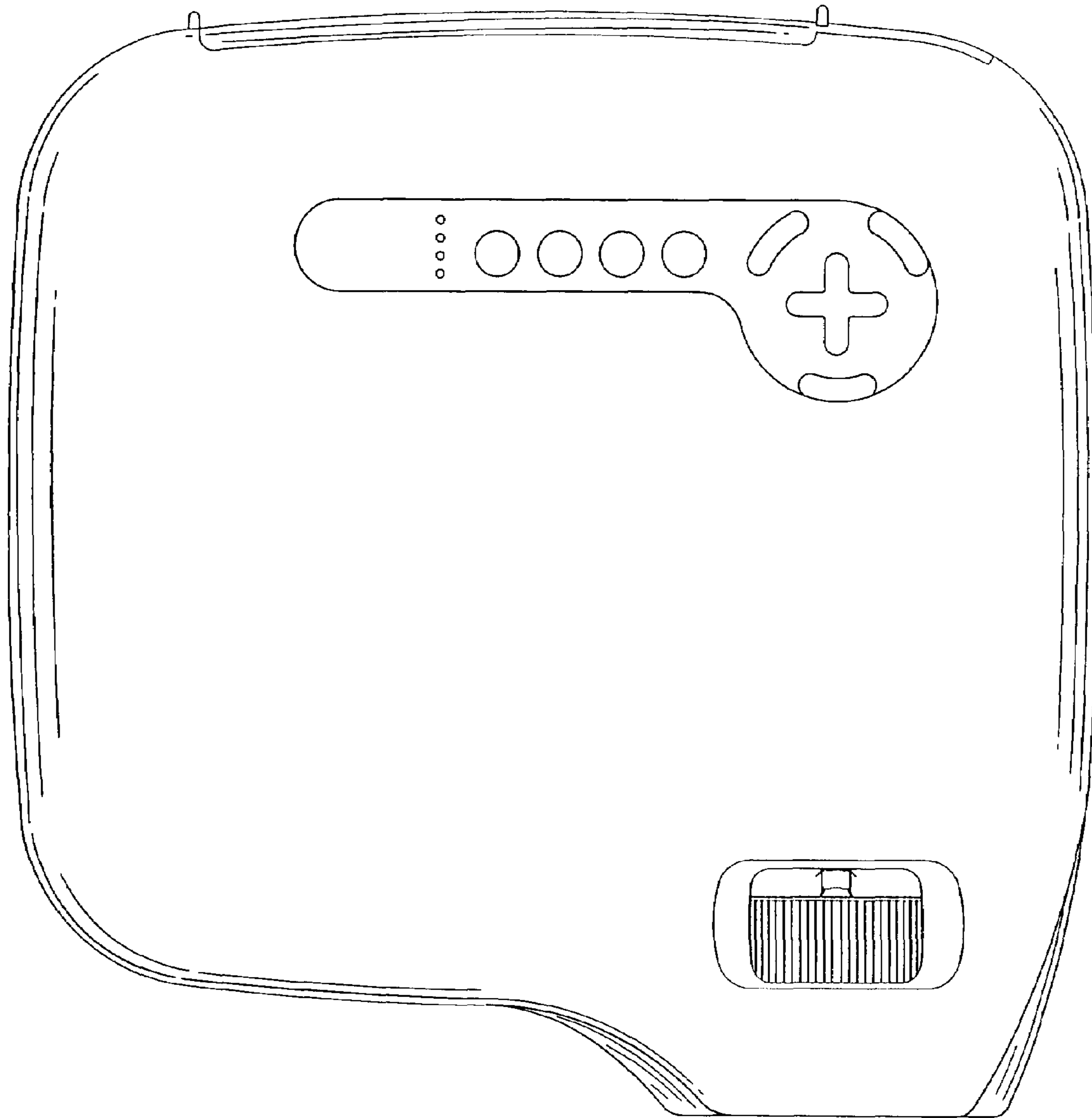


Fig. 7

