



US00D579475S

(12) **United States Design Patent**  
**Aronsson**

(10) **Patent No.:** **US D579,475 S**

(45) **Date of Patent:** **\*\* Oct. 28, 2008**

(54) **INFRARED CAMERA**

(75) Inventor: **Peter Aronsson**, Akersberga (SE)

(73) Assignee: **Flir Systems AB**, Danderyd (SE)

(\*\*) Term: **14 Years**

(21) Appl. No.: **29/287,263**

(22) Filed: **Jul. 17, 2007**

(30) **Foreign Application Priority Data**

Jan. 17, 2007 (EM) ..... 000653423

(51) **LOC (8) Cl.** ..... **16-01**

(52) **U.S. Cl.** ..... **D16/218**

(58) **Field of Classification Search** ..... D16/200–204,  
D16/206, 208, 218; 348/164, 373–376; 396/535–541  
See application file for complete search history.

(56) **References Cited**

**U.S. PATENT DOCUMENTS**

D393,272 S \* 4/1998 Segan et al. .... D16/218

D409,642 S \* 5/1999 Chin ..... D16/218

D532,808 S \* 11/2006 Vallese et al. .... D16/206  
2005/0157184 A1 \* 7/2005 Nakanishi et al. .... 348/373

\* cited by examiner

*Primary Examiner*—Adir Aronovich

(74) *Attorney, Agent, or Firm*—Young & Thompson

(57) **CLAIM**

The ornamental design for an infrared camera, as shown and described.

**DESCRIPTION**

FIG. 1 is a front, right side perspective view of an infrared camera according to my new design;

FIG. 2 is a front view thereof;

FIG. 3 is a right side view thereof;

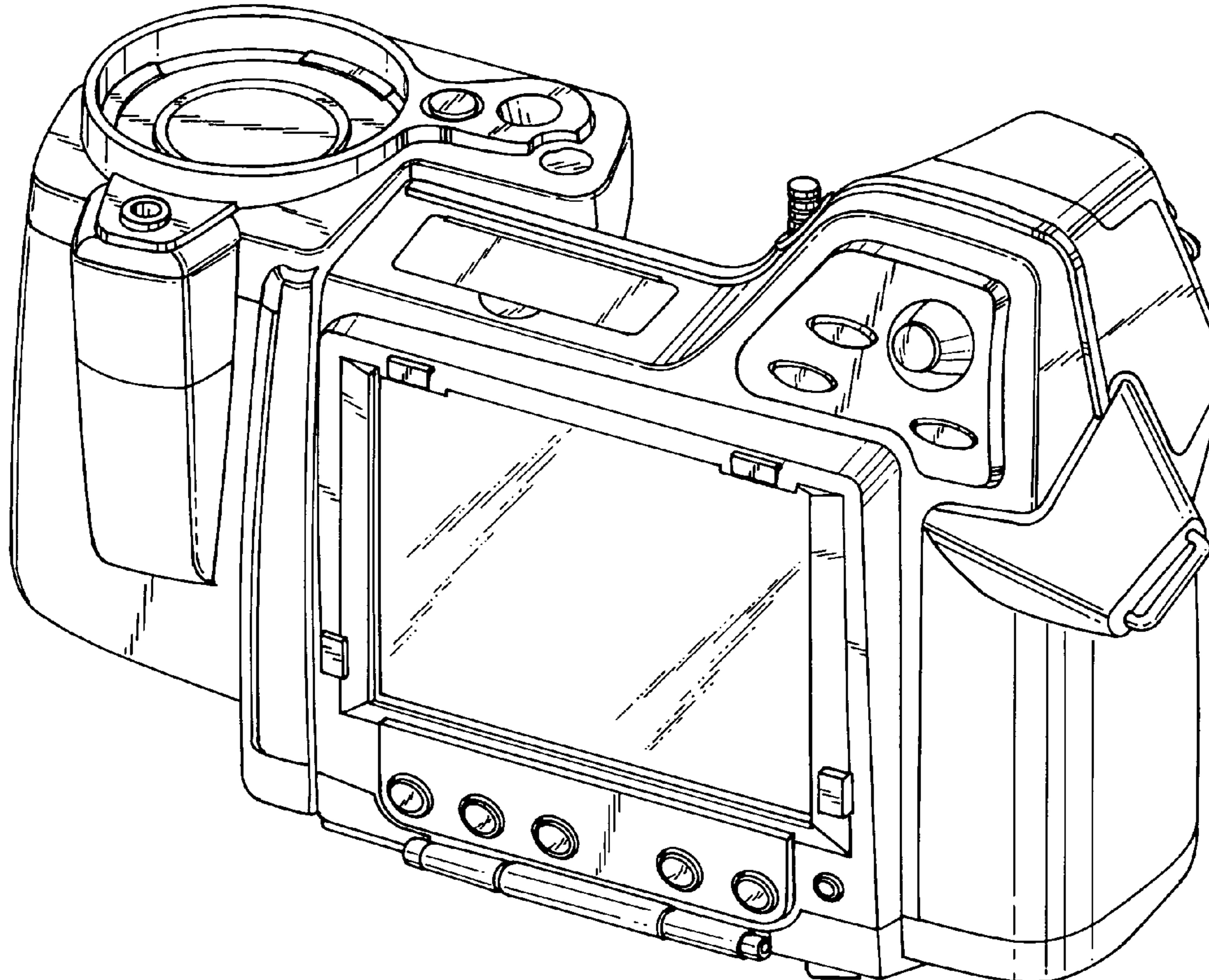
FIG. 4 is a left side view thereof;

FIG. 5 is a rear view thereof;

FIG. 6 is a top plan view thereof; and,

FIG. 7 is a bottom plan view thereof.

**1 Claim, 6 Drawing Sheets**



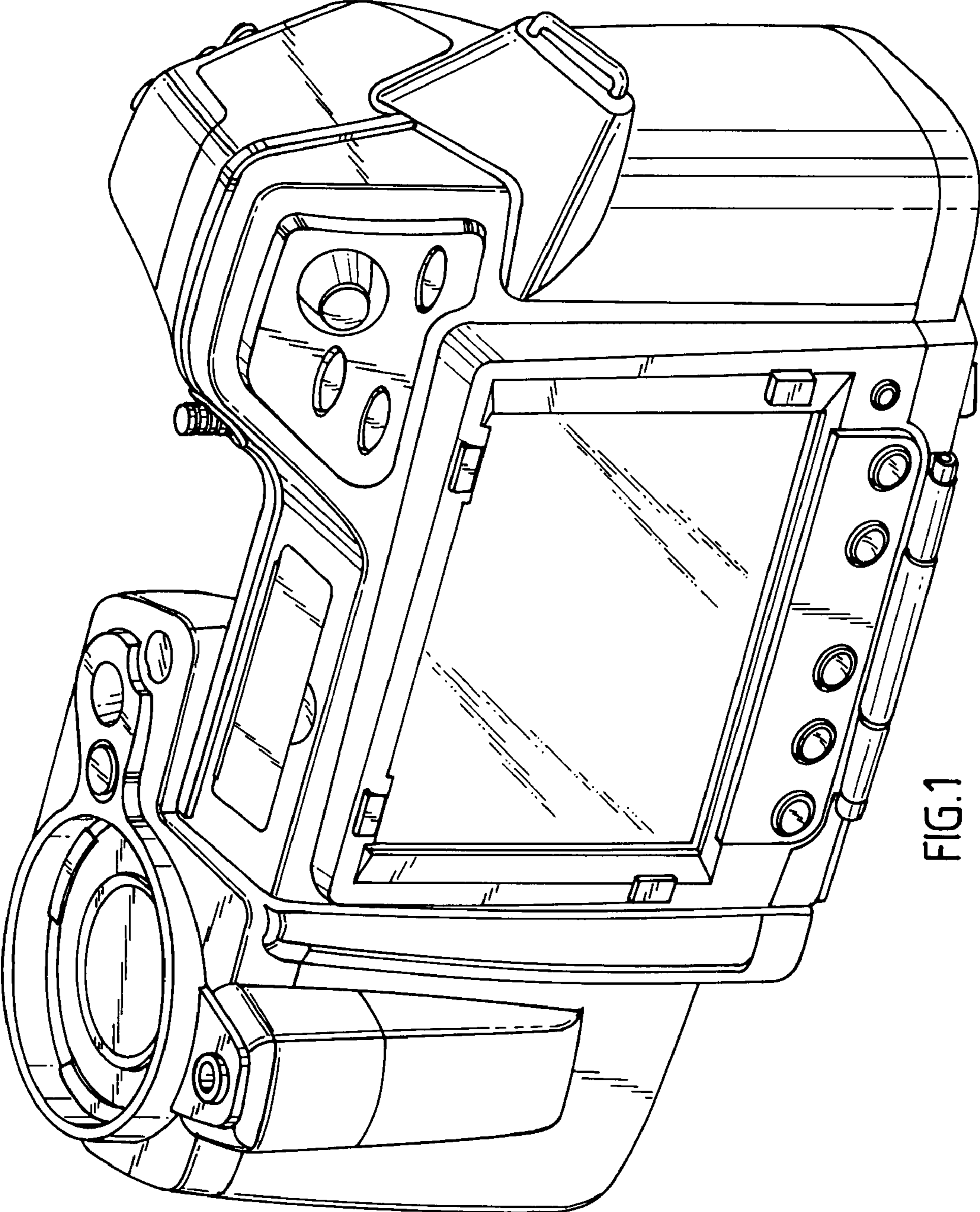


FIG.1

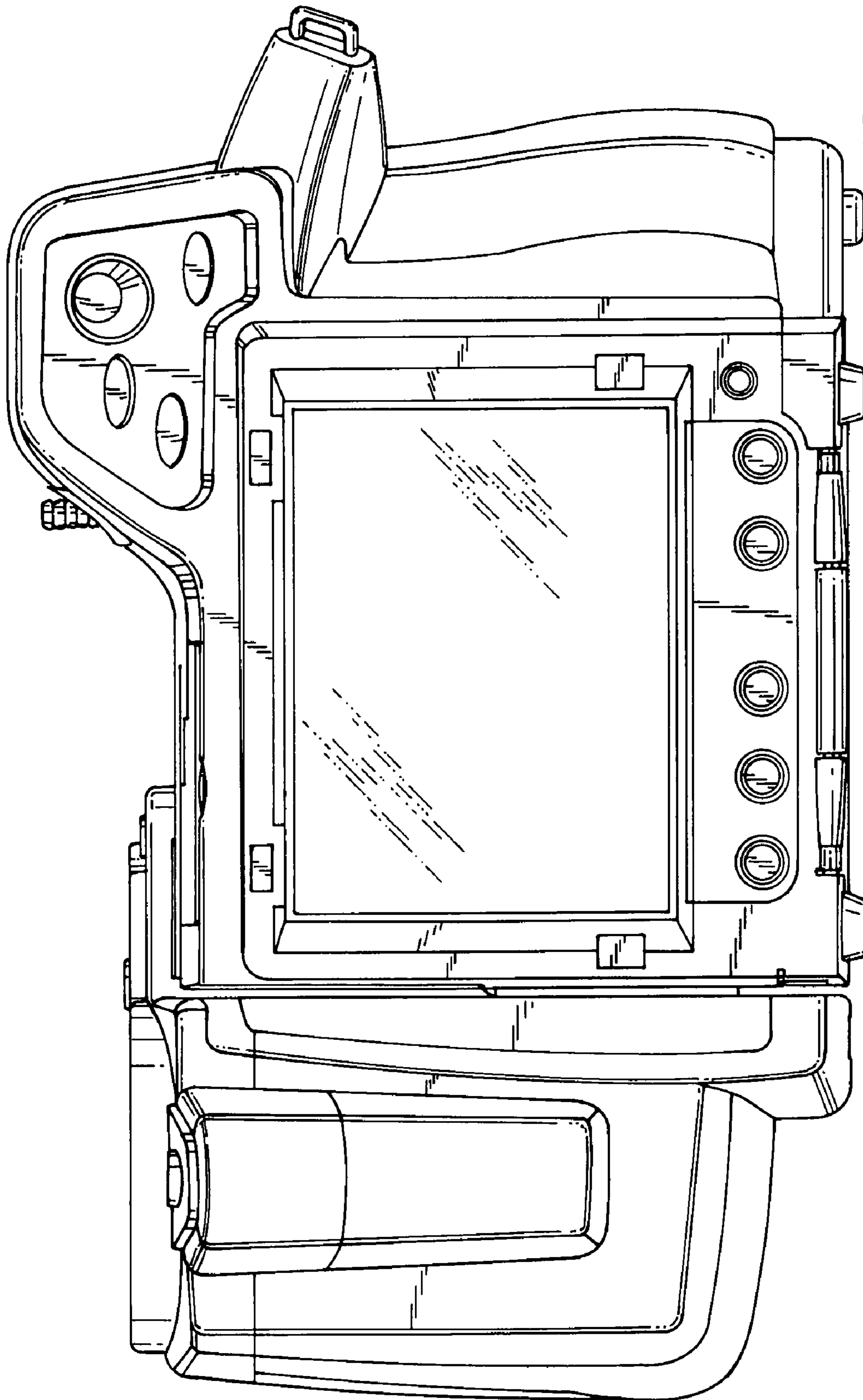


FIG.2



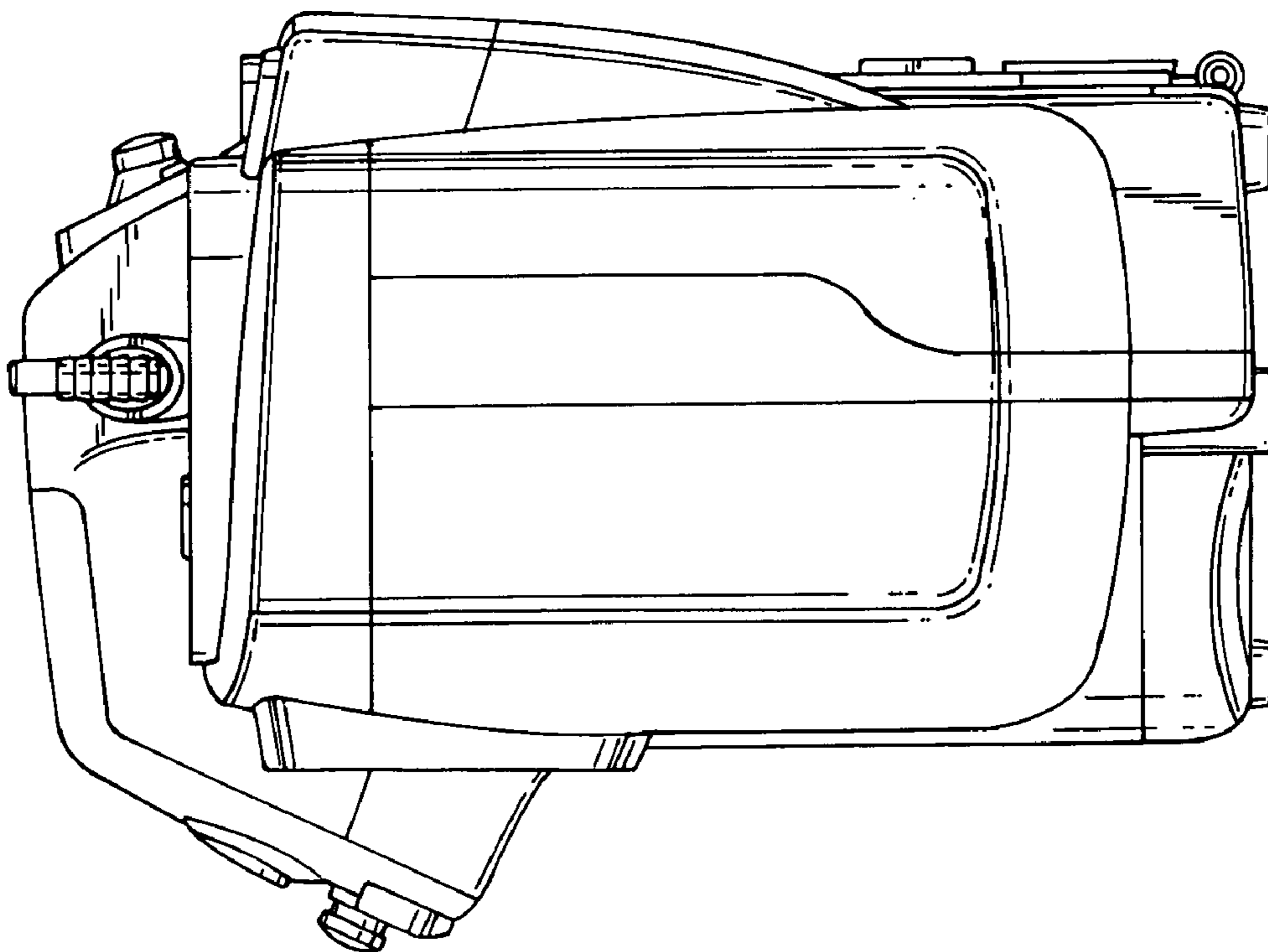


FIG. 4

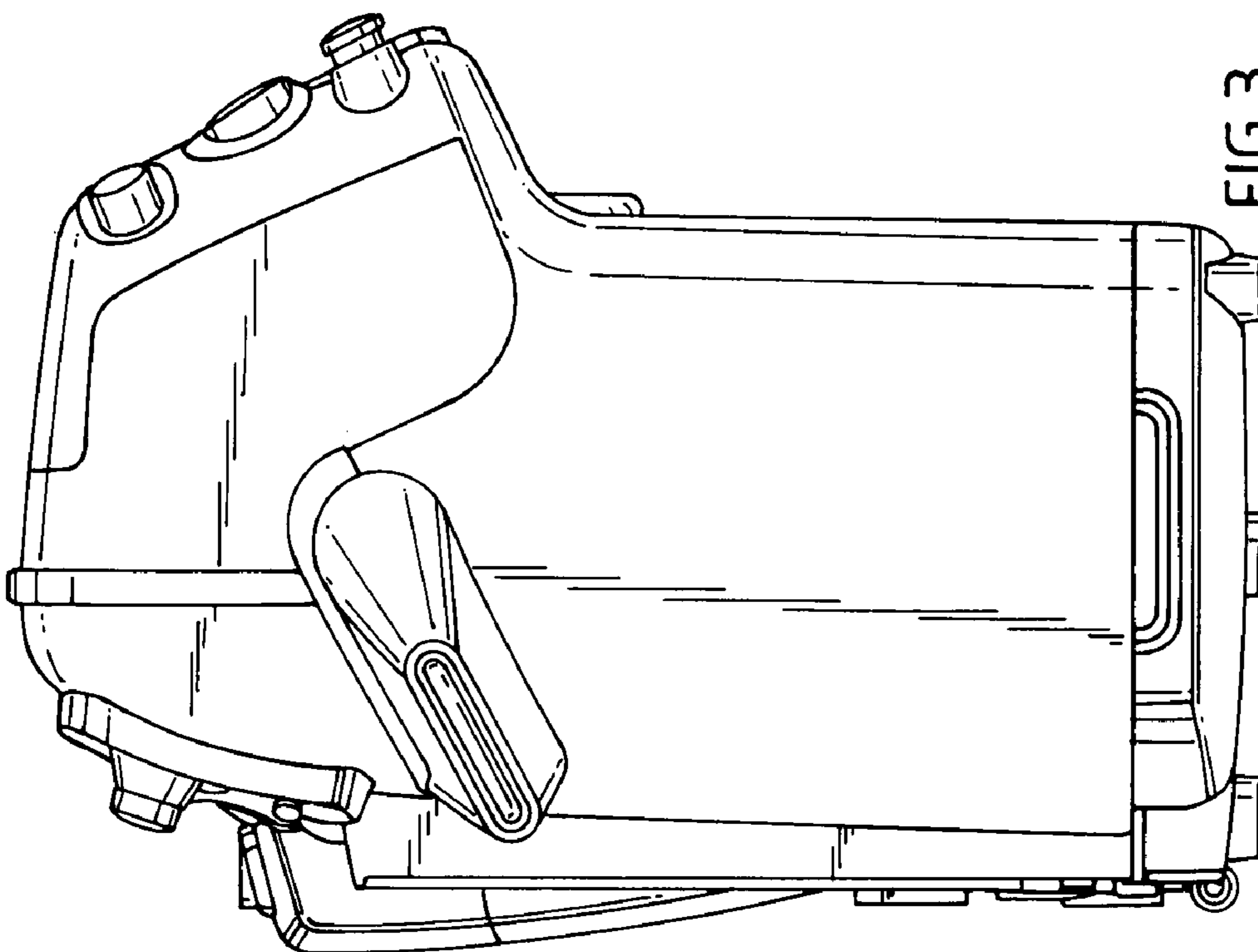


FIG. 3

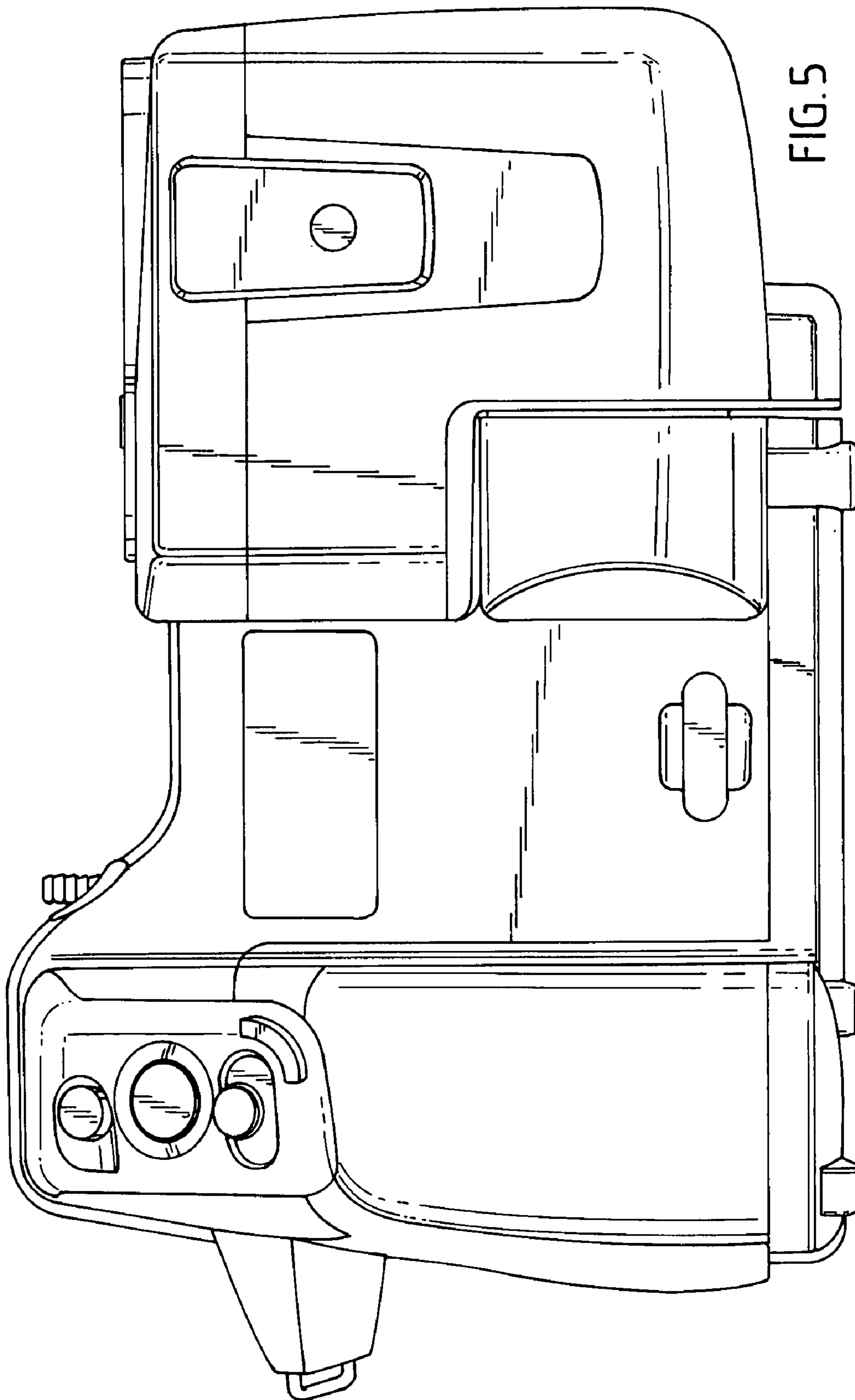


FIG. 5

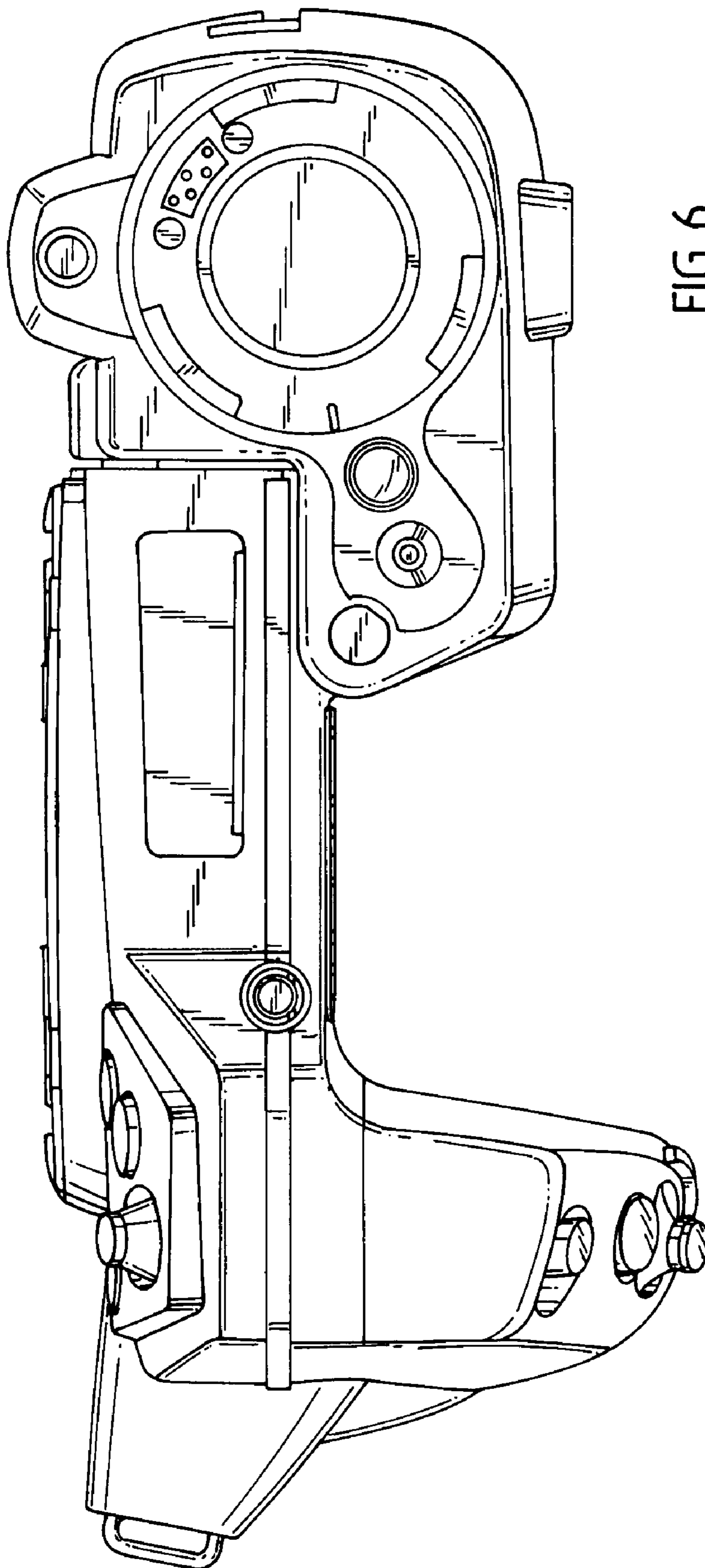


FIG. 6

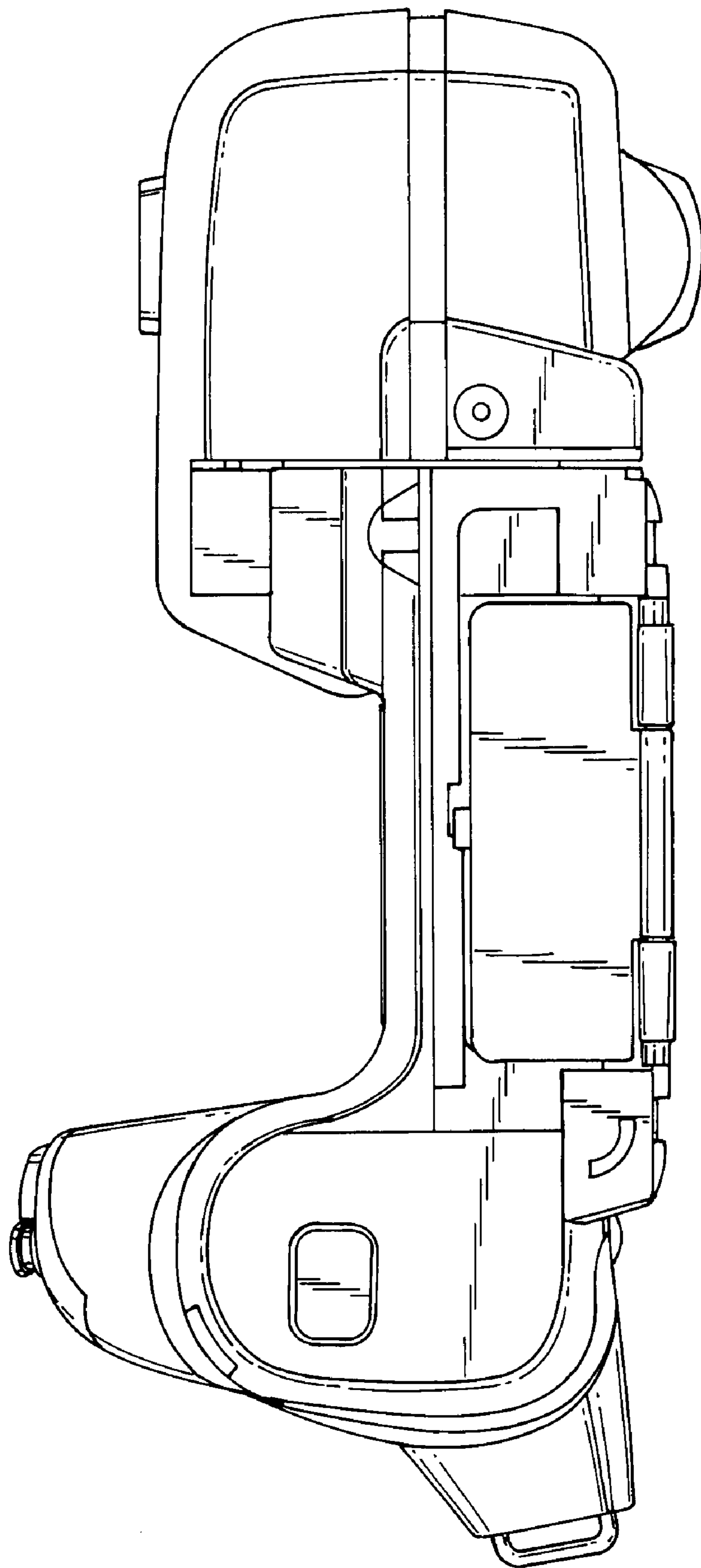


FIG. 7