



US00D579474S

(12) **United States Design Patent**
Yoo et al.

(10) **Patent No.:** **US D579,474 S**
(45) **Date of Patent:** **** Oct. 28, 2008**

(54) **MONITORING CAMERA**

(75) Inventors: **Seung-seup Yoo**, Seoul (KR); **Jae-in Kim**, Seoul (KR); **Sung-hwa Chang**, Seoul (KR)

(73) Assignee: **Samsung Techwin Co., Ltd.**, Changwon (KR)

(**) Term: **14 Years**

(21) Appl. No.: **29/289,145**

(22) Filed: **Jul. 9, 2007**

(30) **Foreign Application Priority Data**

Feb. 15, 2007 (KR) 30-2007-0007159

(51) **LOC (8) Cl.** **16-01**

(52) **U.S. Cl.** **D16/203**

(58) **Field of Classification Search** D16/200–204,
D16/218; 348/143, 151, 373–376; 396/427,
396/535–541

See application file for complete search history.

(56) **References Cited**

U.S. PATENT DOCUMENTS

6,268,882 B1 * 7/2001 Elberbaum 348/143
D478,108 S * 8/2003 Miyazaki D16/202
D502,196 S * 2/2005 Miyazaki D16/202

D542,319 S * 5/2007 Ishida et al. D16/203
D543,566 S * 5/2007 Kato et al. D16/203
D545,860 S * 7/2007 Miyazaki D16/203
D556,803 S * 12/2007 Ishida D16/203
2005/0206779 A1 * 9/2005 Aoki et al. 348/373
2006/0050150 A1 * 3/2006 Yamane 348/151

* cited by examiner

Primary Examiner—Adir Aronovich

(74) *Attorney, Agent, or Firm*—Drinker Biddle & Reath LLP

(57) **CLAIM**

We claim the ornamental design for a monitoring camera, as shown and described.

DESCRIPTION

FIG. 1 is a front perspective view of a monitoring camera showing our new design;

FIG. 2 is a front elevational view of a monitoring camera;

FIG. 3 is a rear elevational view of a monitoring camera;

FIG. 4 is a left side elevational view of a monitoring camera;

FIG. 5 is a right side elevational view of a monitoring camera;

FIG. 6 is a top plan view of a monitoring camera;

FIG. 7 is a bottom plan view of a monitoring camera; and,

FIG. 8 is a rear perspective view of a monitoring camera.

1 Claim, 5 Drawing Sheets

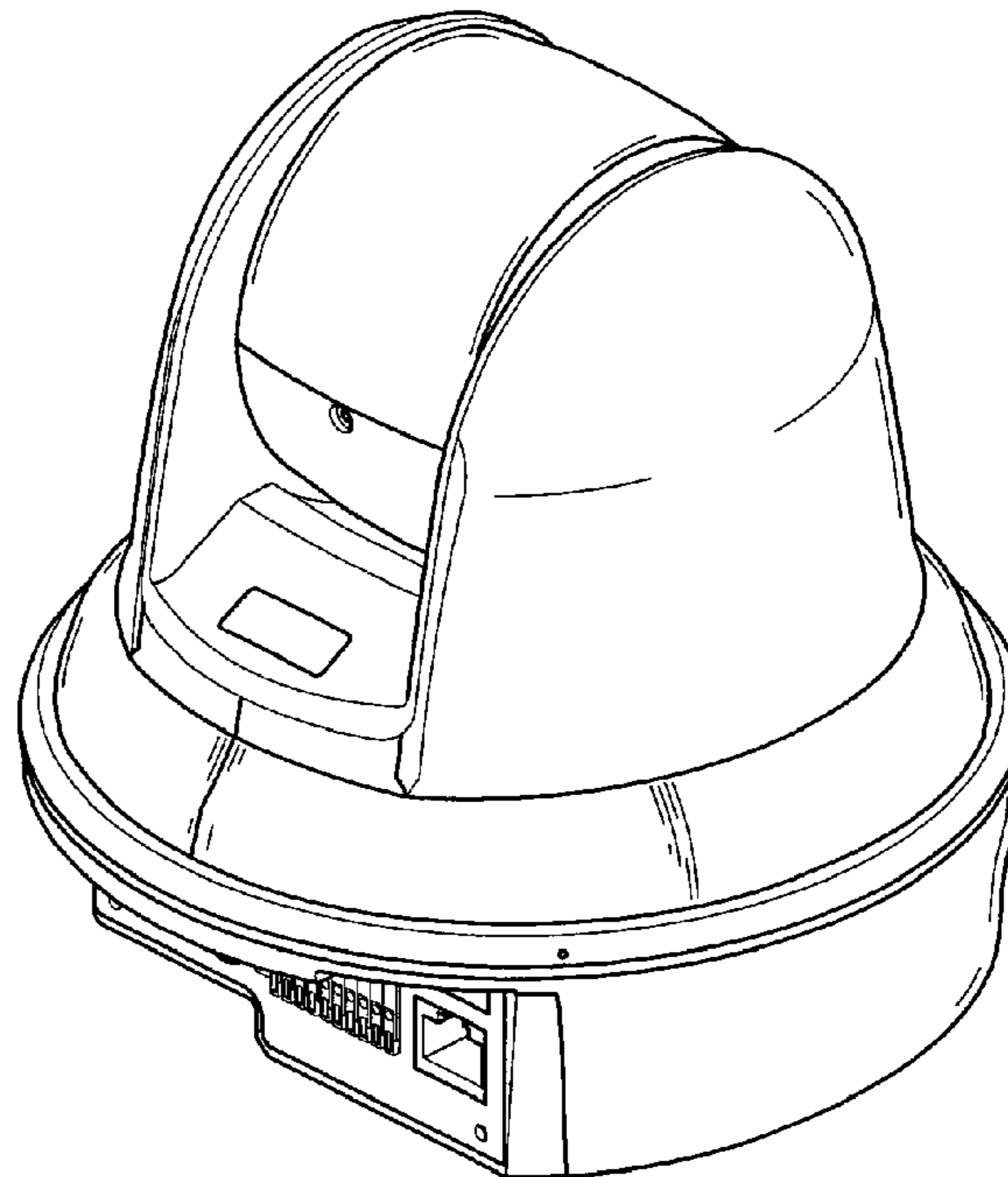
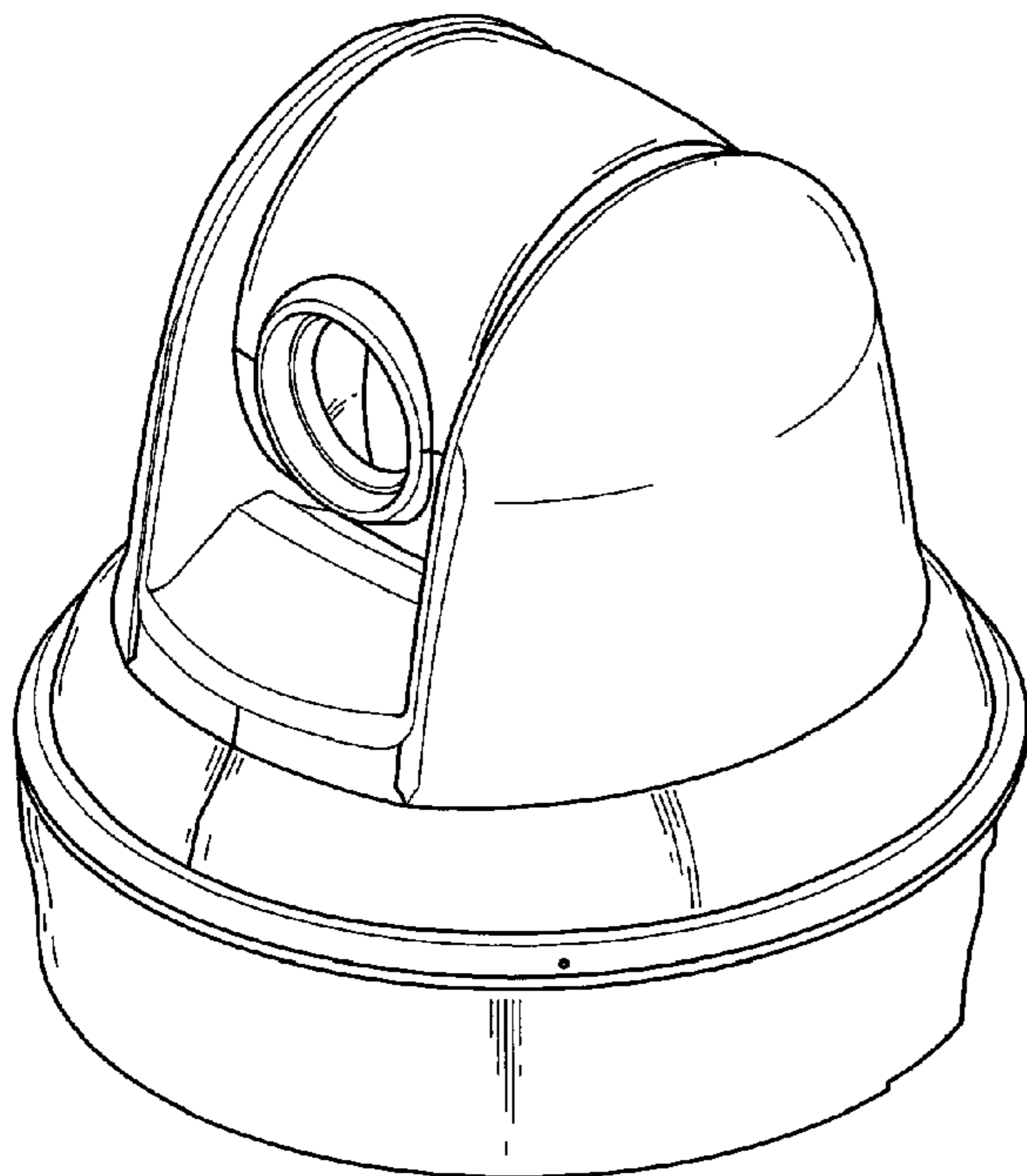


FIG. 1

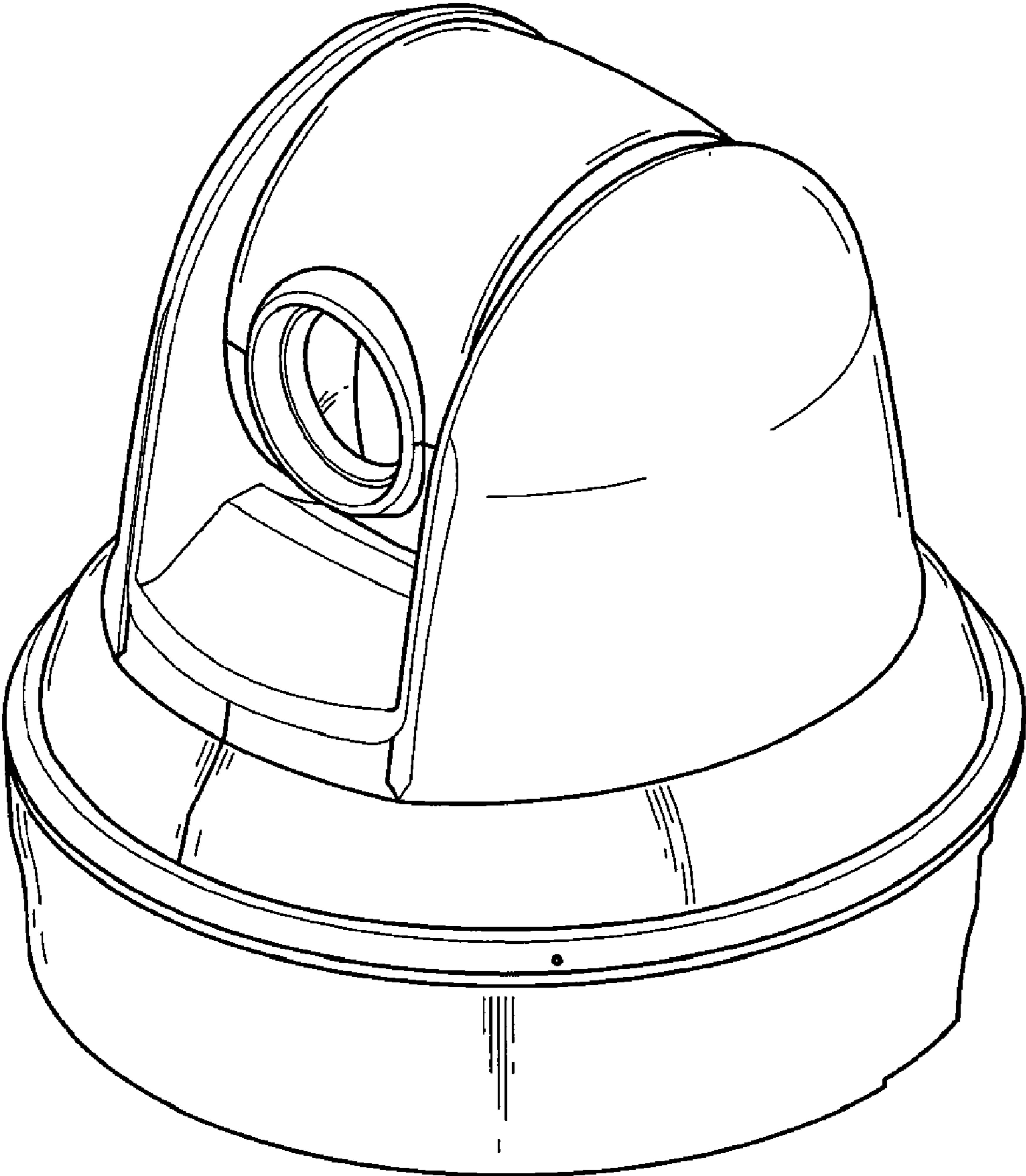


FIG. 2

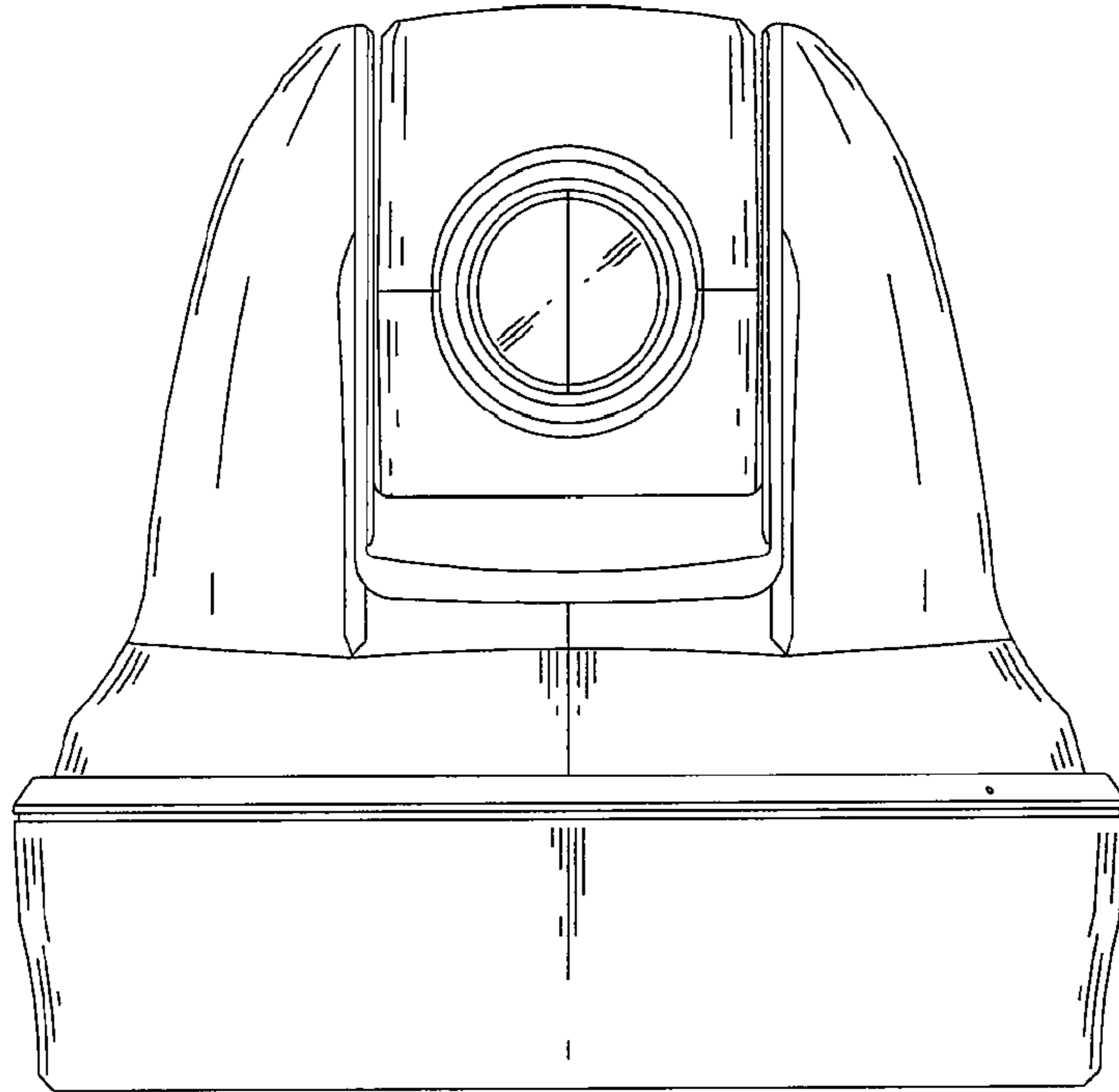


FIG. 3

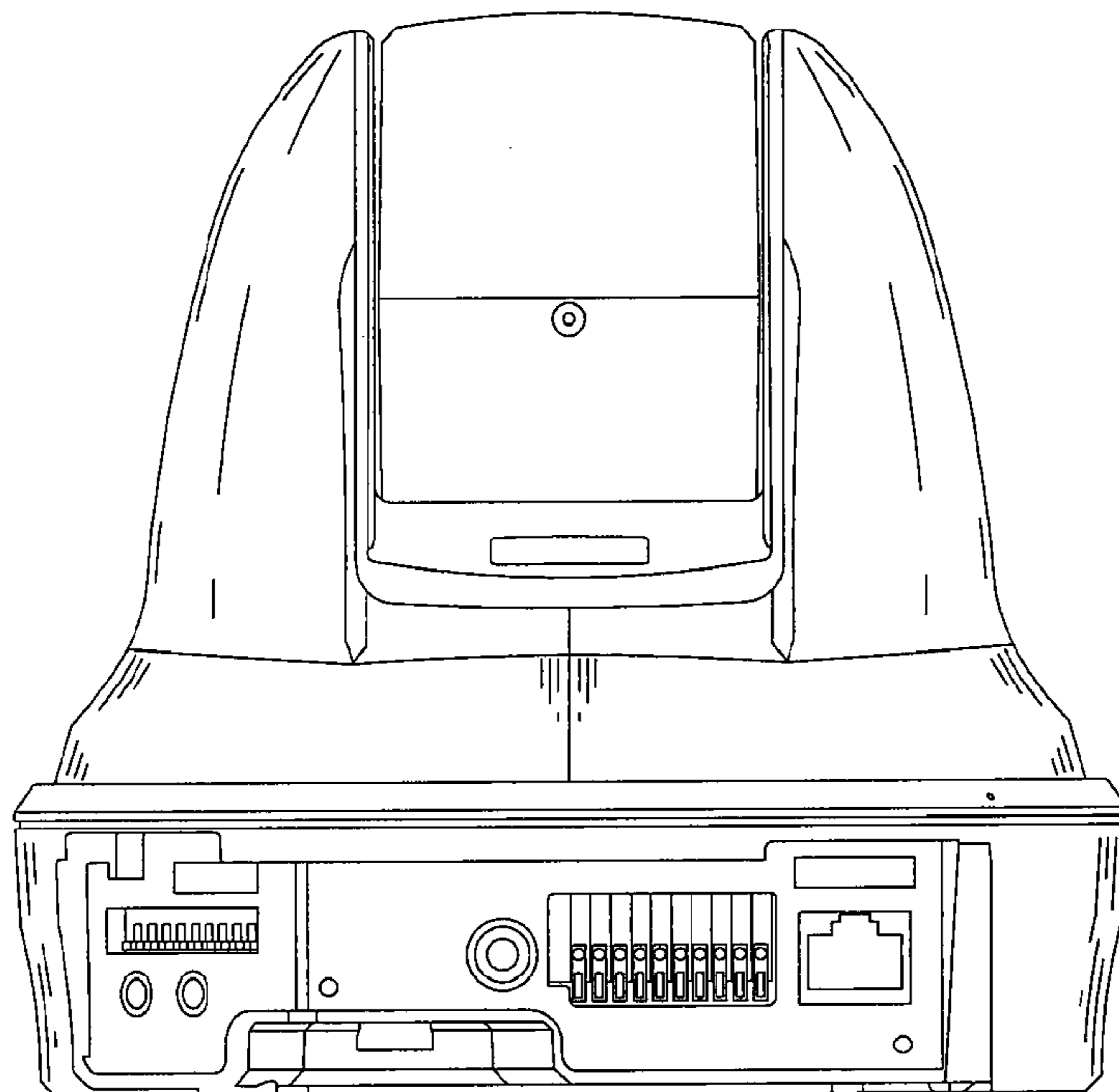


FIG. 4

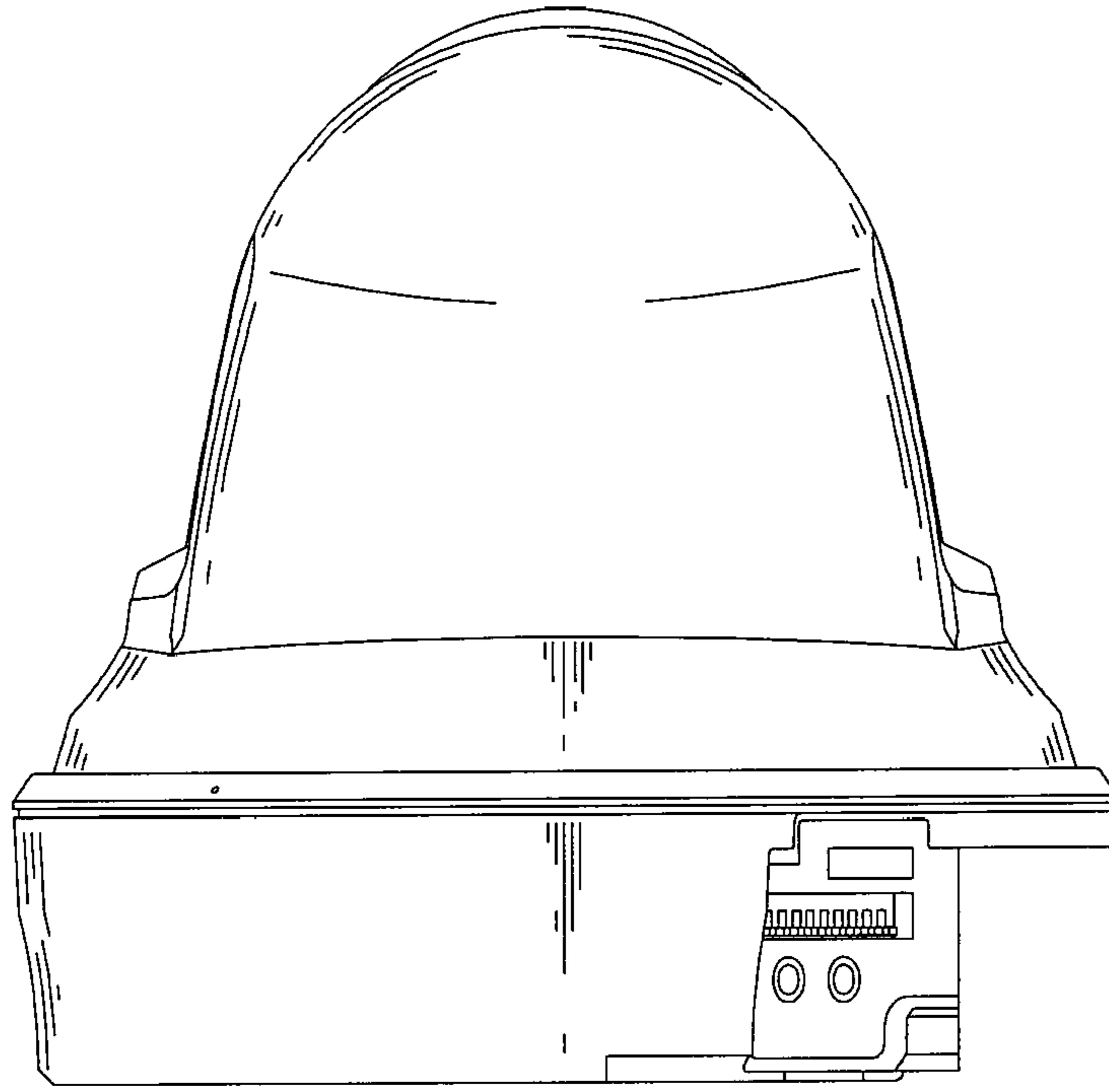


FIG. 5

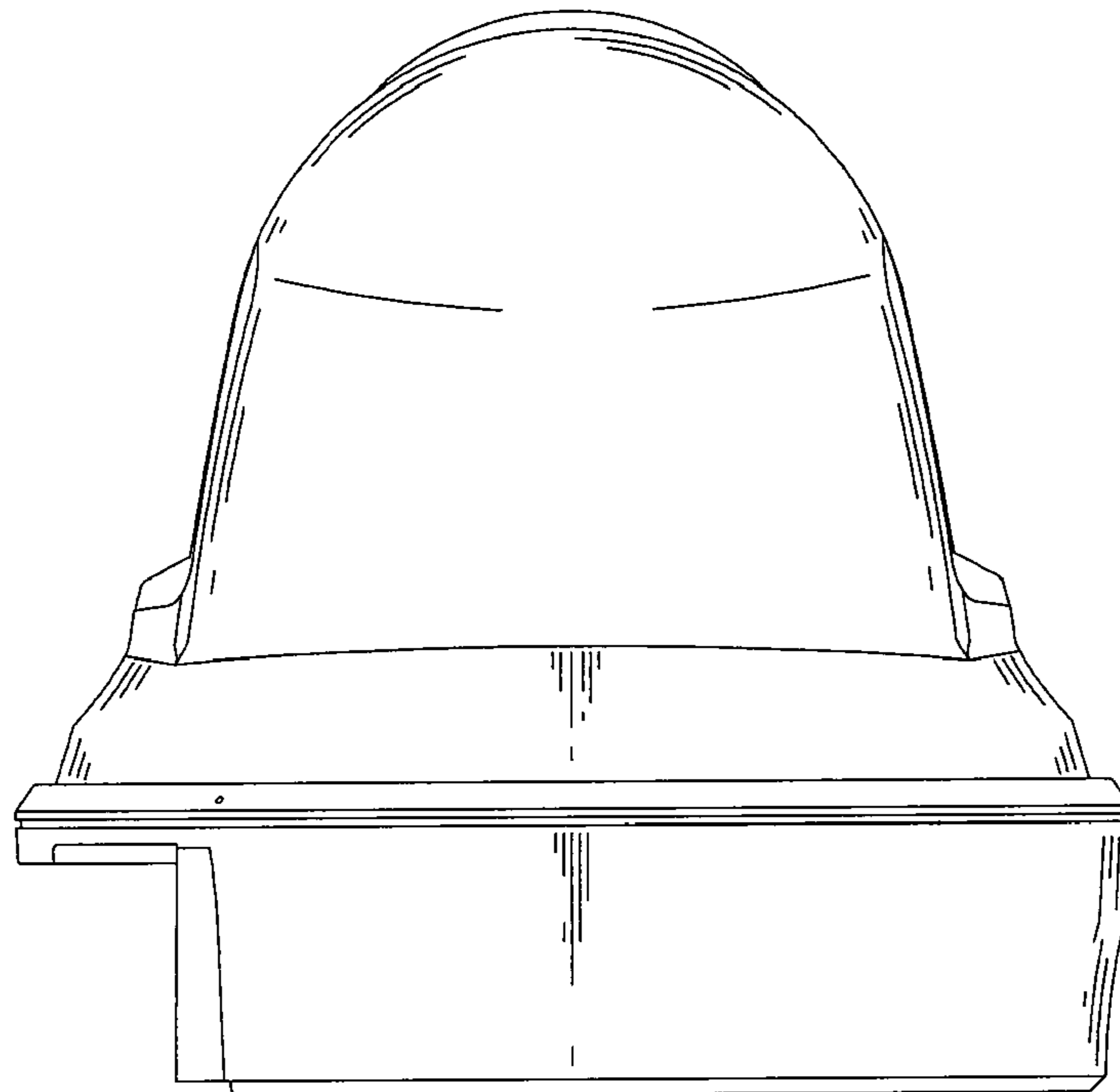


FIG. 6

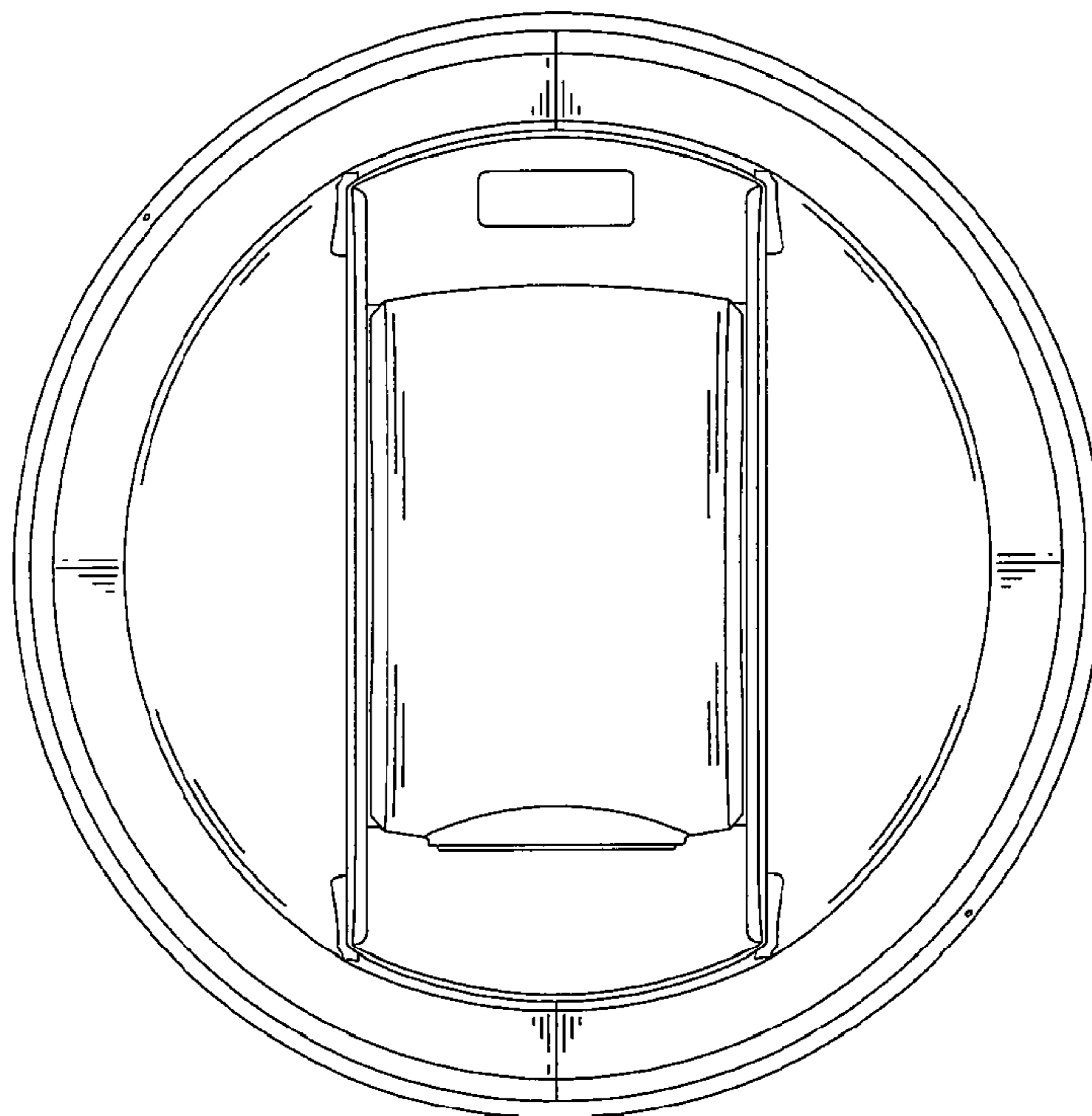


FIG. 7

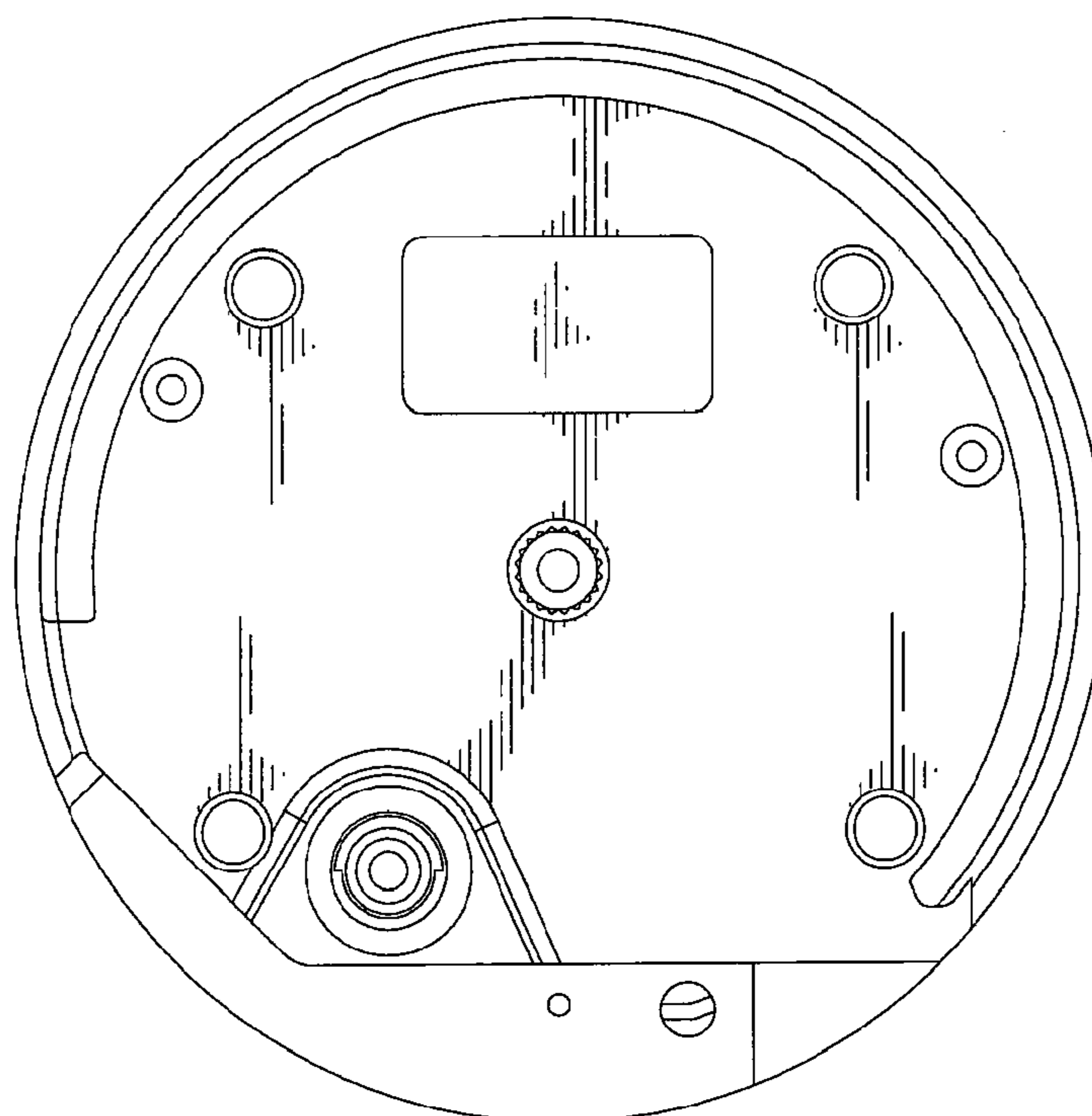


FIG. 8

