



US00D579471S

(12) **United States Design Patent**
York

(10) **Patent No.:** **US D579,471 S**
(45) **Date of Patent:** **** Oct. 28, 2008**

(54) **RIFLESCOPE**

(75) Inventor: **Andrew W. York**, Portland, OR (US)

(73) Assignee: **Leupold & Stevens, Inc.**, Beaverton, OR (US)

(**) Term: **14 Years**

(21) Appl. No.: **29/223,707**

(22) Filed: **Feb. 16, 2005**

(51) **LOC (8) Cl.** **22-01**

(52) **U.S. Cl.** **D16/132; D22/109**

(58) **Field of Classification Search** D22/108–110,
D22/199; D16/132, 130, 133, 330, 134;
359/399, 823, 744; 42/111, 133, 119, 122
See application file for complete search history.

(56) **References Cited**

U.S. PATENT DOCUMENTS

2,517,274	A	8/1950	Baker et al.	
3,516,736	A	6/1970	Weaver	
D232,661	S *	9/1974	Thomson et al.	D16/132
D233,169	S *	10/1974	Thomson et al.	D16/132
D235,685	S *	7/1975	Chesnut	D16/132
D235,800	S *	7/1975	Van Exel	D16/132
D238,513	S *	1/1976	Van Exel	D16/132
D240,333	S	6/1976	Chestnut	
4,509,282	A	4/1985	McMillon	
4,860,480	A *	8/1989	Ruger	D22/110
4,940,324	A	7/1990	Nichols	
5,111,587	A *	5/1992	Plank	D22/110
D344,531	S *	2/1994	Nemoto	D16/132
D346,392	S	4/1994	Tomita	

(Continued)

OTHER PUBLICATIONS

U.S. Appl. No. 11/809,199, filed May 30, 2007, 15 pages.
Redfield, Low Profile Widefield, 1986, 1 pg.
Redfield, Low Profile Widefield, 1997, 1 pg.

Tasco, EXP Extreme Performance Riflescopes, 2001, 2 pgs.
Omnitech Partners, Inc., Osti Optical Systems Technology Star*Tron Night Vision Products—Muns Magnum Universal Night Sight, product brochure, copyright 2006 (month unknown), 2 pages.
U.S. Government Accountability Office, Decision of Optical Systems Technology, Inc., file Nos. B-296516.2; B-296516.3. Mar. 17, 2006, 11 pages.
U.S. Appl. No. 11/060,444, filed Feb. 16, 2005.
USPTO, Office Action dated Feb. 27, 2007, U.S. Appl. No. 11/060,444.
Omnitech Partners, Inc., Universal Night Sight Family—UNS-XR®, <http://www.omnitechpartners.com/osti/products/uns-xr.htm>. visited Mar. 7, 2007 (publication date unknown), 1 page.

Primary Examiner—Louis S Zarfes
Assistant Examiner—David G Muller
(74) *Attorney, Agent, or Firm*—Stoel Rives, LLP

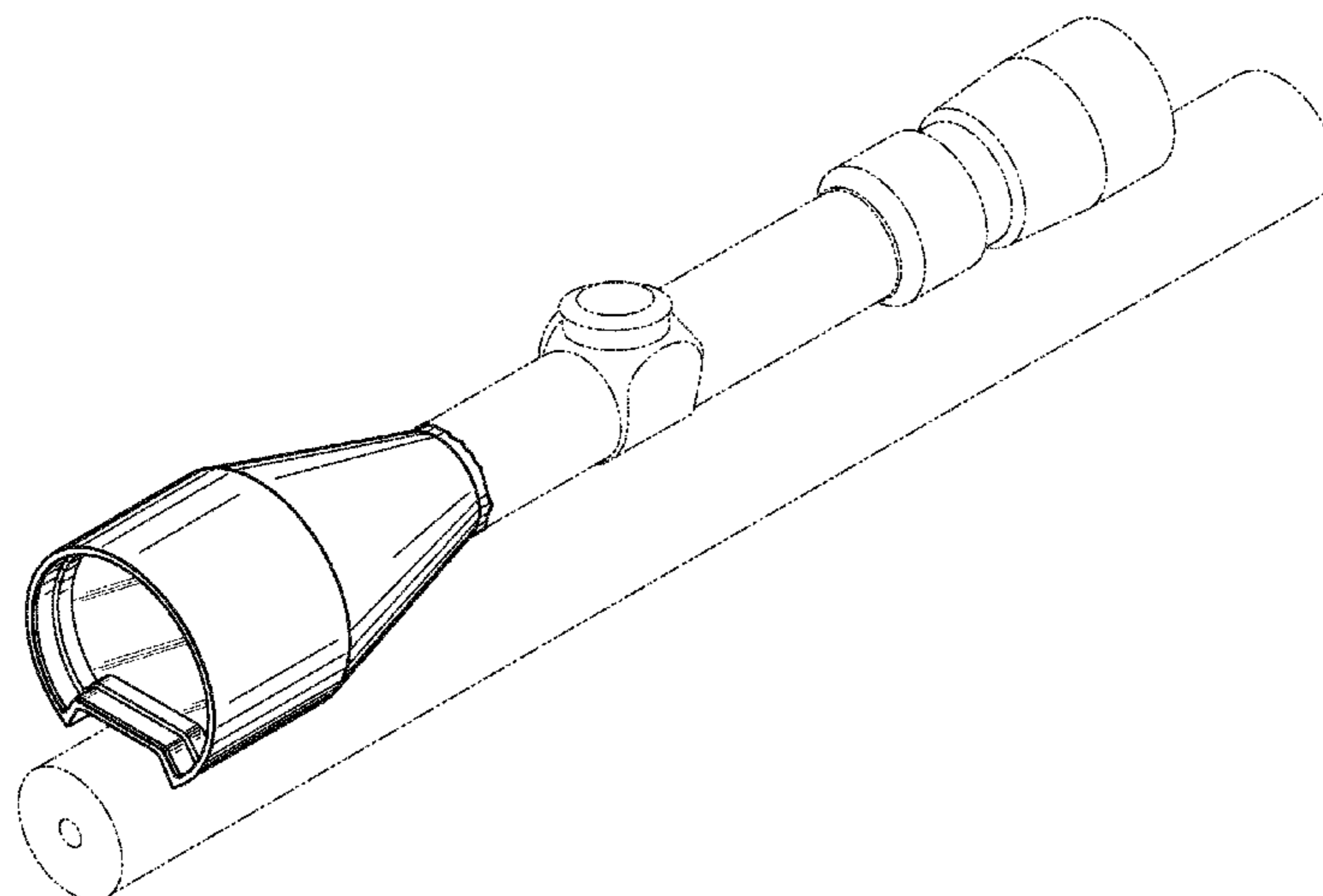
(57) **CLAIM**

I claim the ornamental design for a riflescope, as shown and described.

DESCRIPTION

FIG. 1 is an isometric view of a riflescope in accordance with an embodiment;
FIG. 2 is a left side elevation of the riflescope of FIG. 1, of which the right side elevation (not shown) is a mirror image;
FIG. 3 is an objective end elevation of the riflescope of FIG. 1;
FIG. 4 is a top plan view of the riflescope of FIG. 1; and,
FIG. 5 is a bottom plan view of the riflescope of FIG. 1.
In FIGS. 1–5, the broken lines indicating environmental features of a main tube, adjustment knob turret, and eyepiece module of the riflescope form no part of the claimed design. In FIGS. 1–3, additional broken lines indicate environmental features of a rifle barrel, scope mounting base, and mounting rings, which form no part of the claimed design.

1 Claim, 2 Drawing Sheets



US D579,471 S

Page 2

U.S. PATENT DOCUMENTS

D381,387 S *	7/1997	Canaday et al.	D22/199	D510,945 S *	10/2005	Do	D16/134
D385,899 S *	11/1997	Murphy et al.	D16/330	D516,156 S *	2/2006	Crandall	D22/109
D417,679 S *	12/1999	Cross et al.	D16/132	7,051,469 B1	5/2006	Pochapsky	
D421,286 S *	2/2000	Tucker	D22/109	7,072,124 B2 *	7/2006	Wilt et al.	359/744
D427,275 S *	6/2000	Gilmore	D22/109	D534,193 S *	12/2006	Ono	D16/132
D443,628 S *	6/2001	Koshibe et al.	D16/132	7,275,343 B2	10/2007	York	
6,279,259 B1	8/2001	Otteman		2002/0039242 A1 *	4/2002	Sasaki et al.	359/823
6,327,806 B1	12/2001	Paige		2006/0179702 A1	8/2006	York	
6,691,447 B1	2/2004	Otteman		2007/0062091 A1 *	3/2007	Thomas et al.	42/119
6,811,268 B2	11/2004	Watson					

* cited by examiner

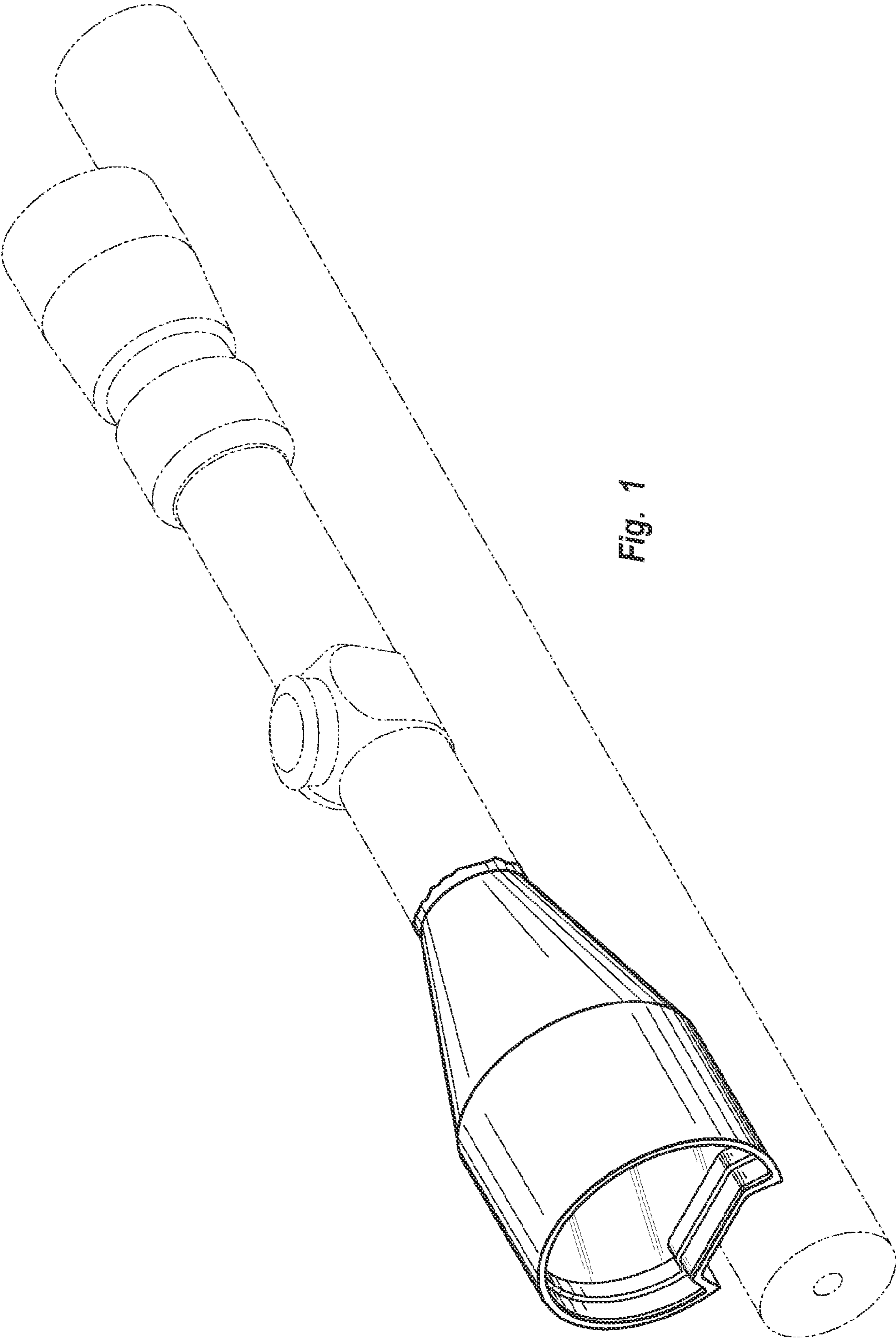


Fig. 1

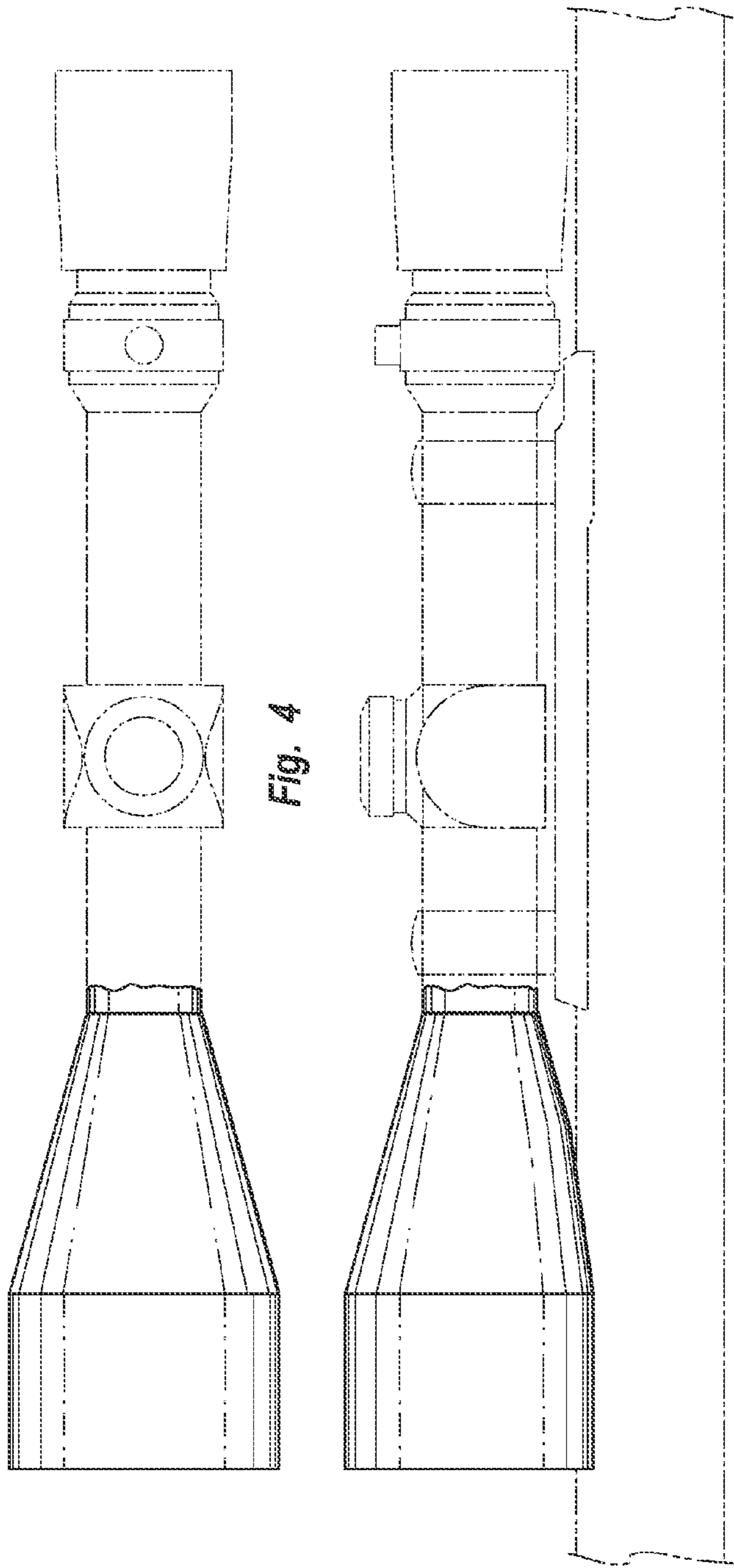


Fig. 4

Fig. 2

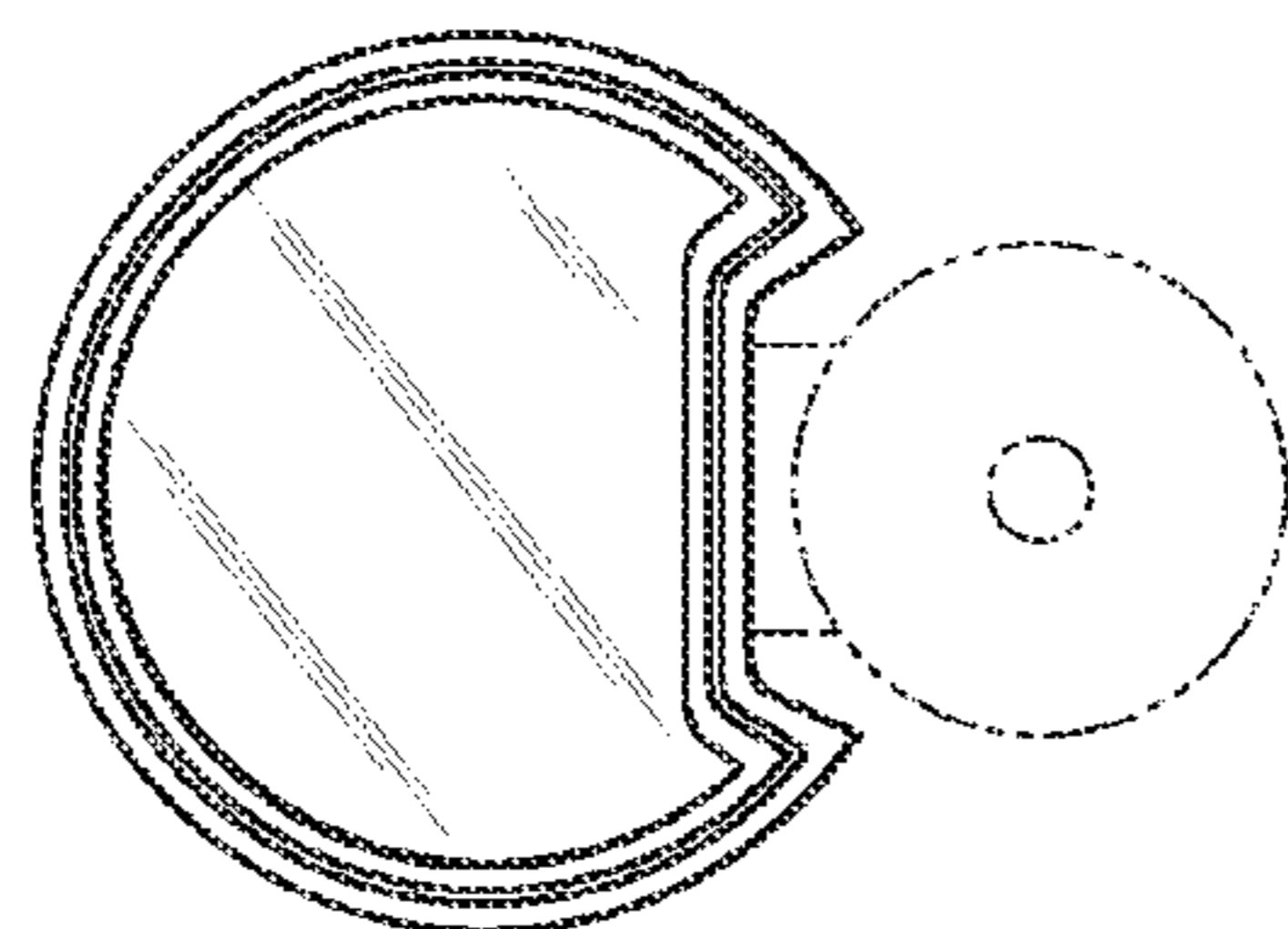


Fig. 3

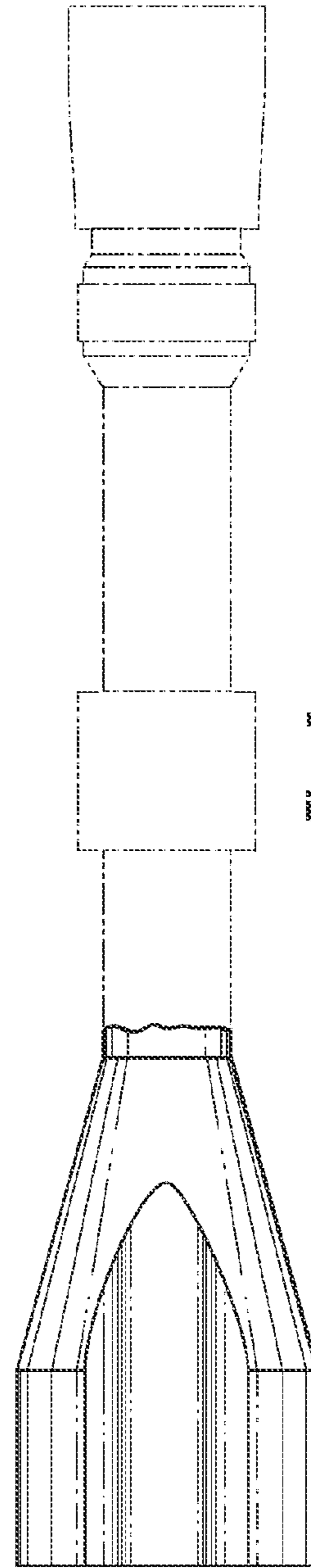


Fig. 5