



US00D579469S

(12) **United States Design Patent**  
**Yang**

(10) **Patent No.:** **US D579,469 S**  
(45) **Date of Patent:** **\*\* Oct. 28, 2008**

(54) **WOOD WORKING MACHINE**

(76) **Inventor:** **Jack Yang**, No. 176, Yuanhuan S. Rd.,  
Fongyuan City, Taichung County (TW)

(\*\*) **Term:** **14 Years**

(21) **Appl. No.:** **29/306,892**

(22) **Filed:** **Apr. 18, 2008**

(51) **LOC (8) Cl.** ..... **15-09**

(52) **U.S. Cl.** ..... **D15/122**

(58) **Field of Classification Search** ..... D15/122,  
D15/125, 127, 130, 131, 140; 29/26 A, 26 R,  
29/27 A, 27 B, 27 R, 57, 560; 82/34 R, 148,  
82/473, 493; 142/53; 144/1.1, 1 R, 35.1,  
144/48.3, 48.7, 92; 408/20, 21, 111; 474/37  
See application file for complete search history.

(56) **References Cited**

**U.S. PATENT DOCUMENTS**

2,905,211	A *	9/1959	Weinstein	.....	144/48.3
2,927,612	A *	3/1960	Edgemond, Jr. et al.	....	144/48.3
3,771,579	A *	11/1973	Heuze	.....	144/48.3
D262,031	S *	11/1981	Fox	.....	D15/122
4,349,945	A *	9/1982	Fox	.....	29/27 A
4,440,204	A *	4/1984	Bartlett	.....	144/130
4,468,160	A *	8/1984	Campbell, Jr.	.....	409/202
4,497,353	A *	2/1985	Sproat, Jr.	.....	144/1.1
4,566,510	A *	1/1986	Bartlett et al.	.....	144/48.3
D284,383	S *	6/1986	Chen	.....	D15/131

4,597,424	A *	7/1986	Levan	.....	144/48.3
4,694,713	A *	9/1987	Snyder et al.	.....	82/11.1
D301,717	S *	6/1989	Huang	.....	D15/130
D301,718	S *	6/1989	Wodli	.....	D15/131
4,915,148	A *	4/1990	Fox	.....	144/48.3
5,340,247	A *	8/1994	Cuneo et al.	.....	409/202
D430,581	S *	9/2000	Campbell et al.	.....	D15/130
D471,570	S *	3/2003	Wang	.....	D15/130

\* cited by examiner

*Primary Examiner*—Sandra Snapp

*Assistant Examiner*—Patricia Palasik

(74) *Attorney, Agent, or Firm*—Alan Kamrath; Kamrath & Associates PA

(57) **CLAIM**

The ornamental design for a wood working machine, as shown and described.

**DESCRIPTION**

FIG. 1 is a perspective view of a wood working machine showing my new design;

FIG. 2 is a front view thereof;

FIG. 3 is a rear view thereof;

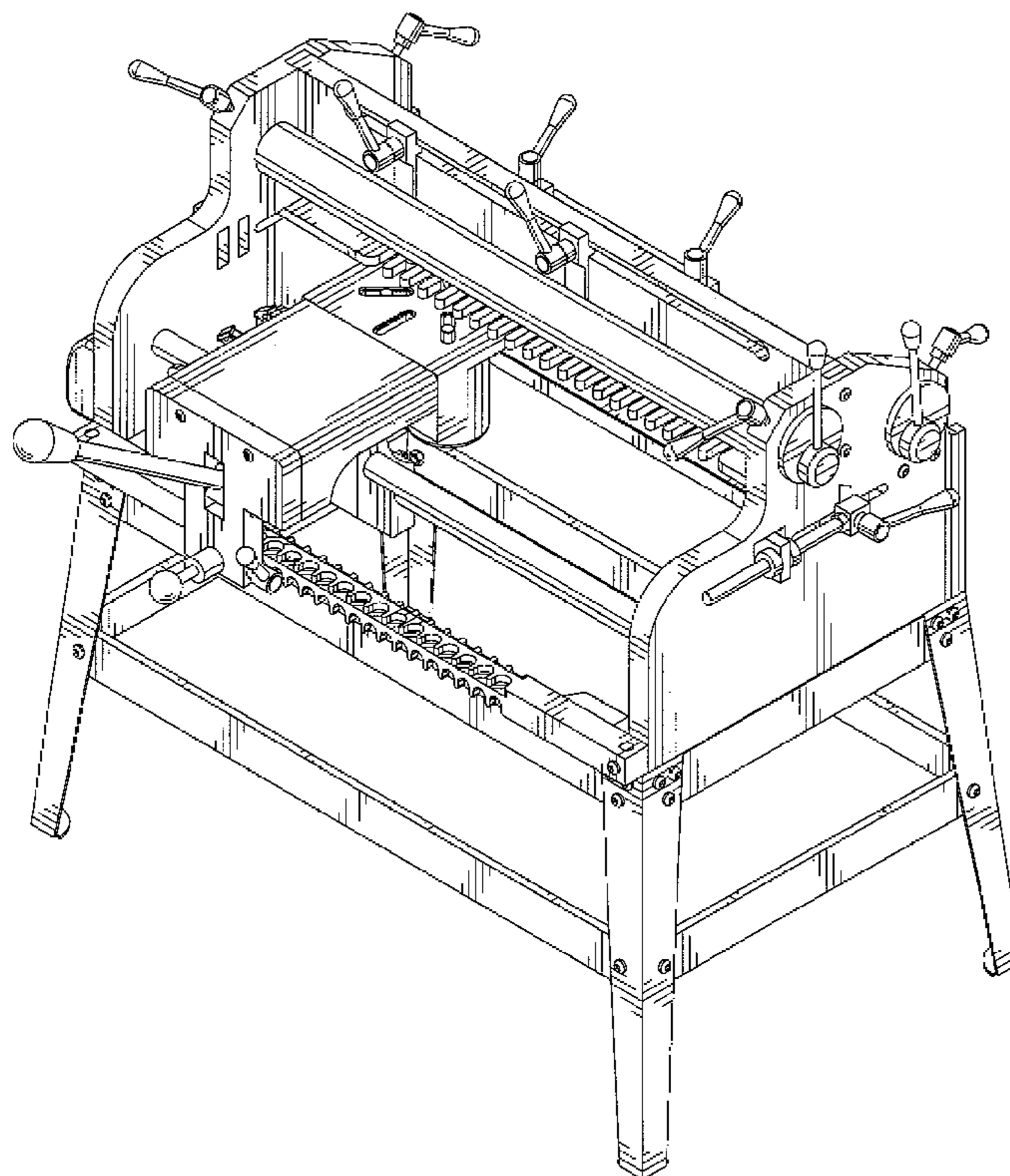
FIG. 4 is a left view thereof;

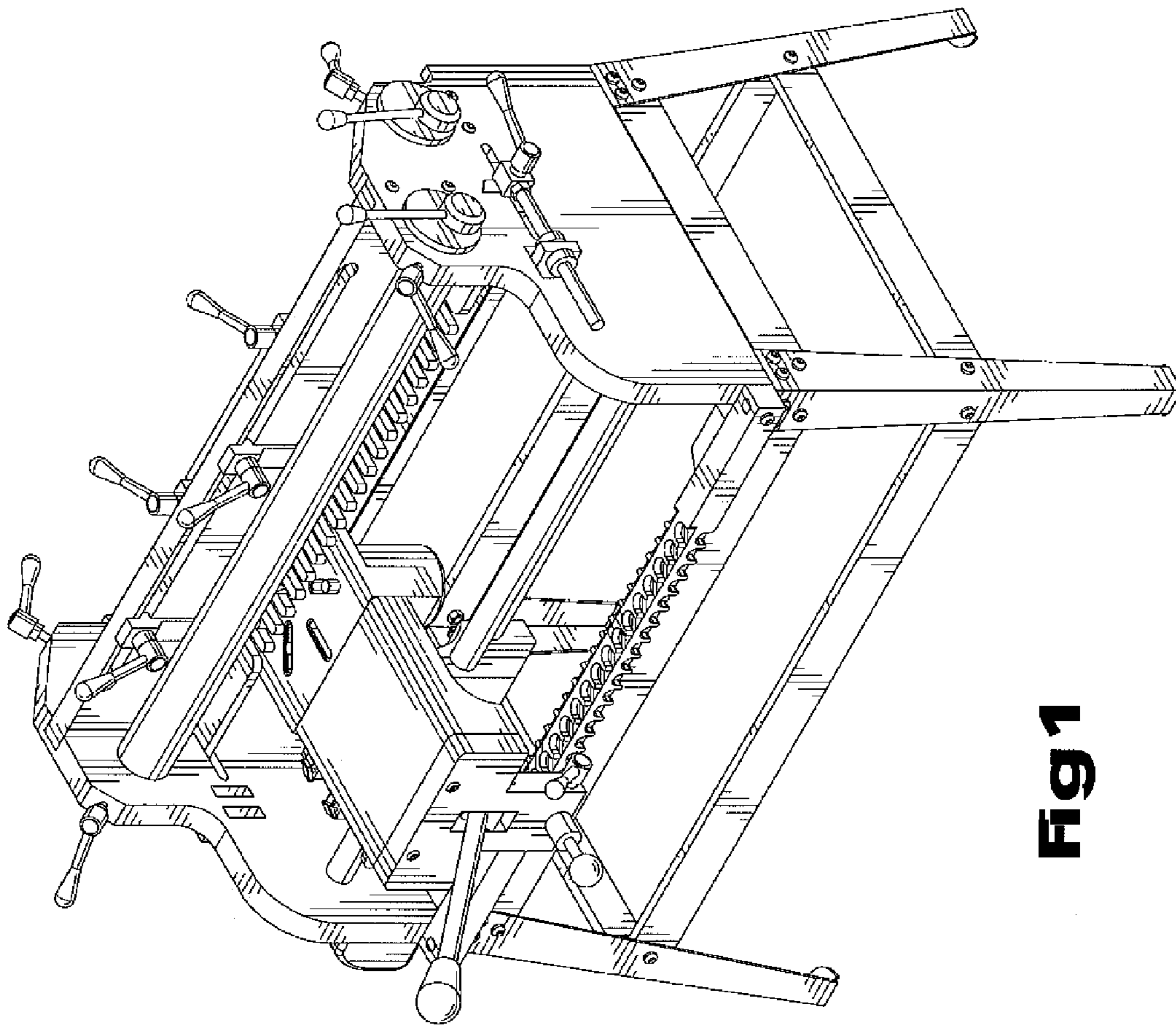
FIG. 5 is a right view thereof;

FIG. 6 is a top view thereof; and,

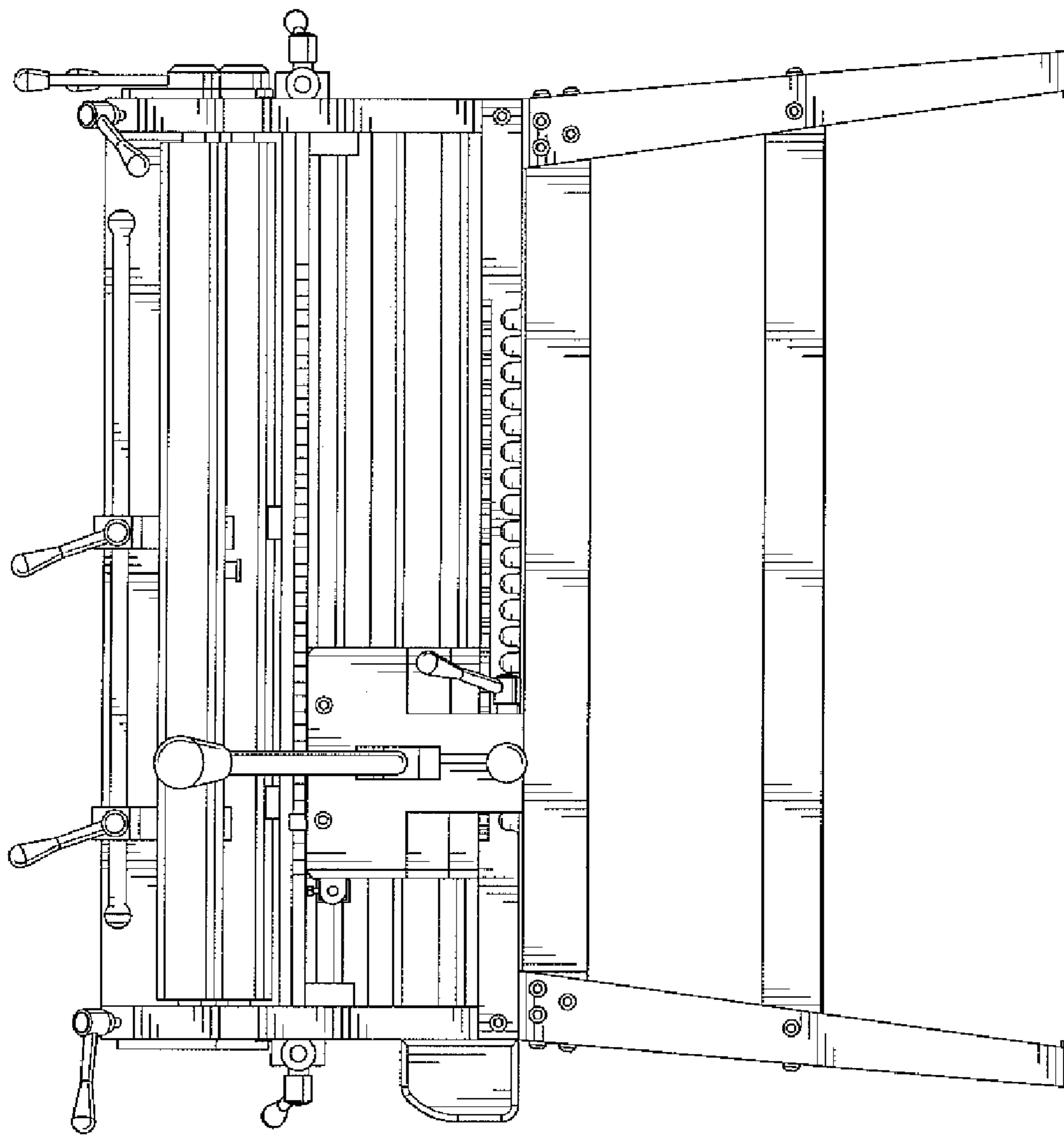
FIG. 7 is a bottom view thereof.

**1 Claim, 6 Drawing Sheets**

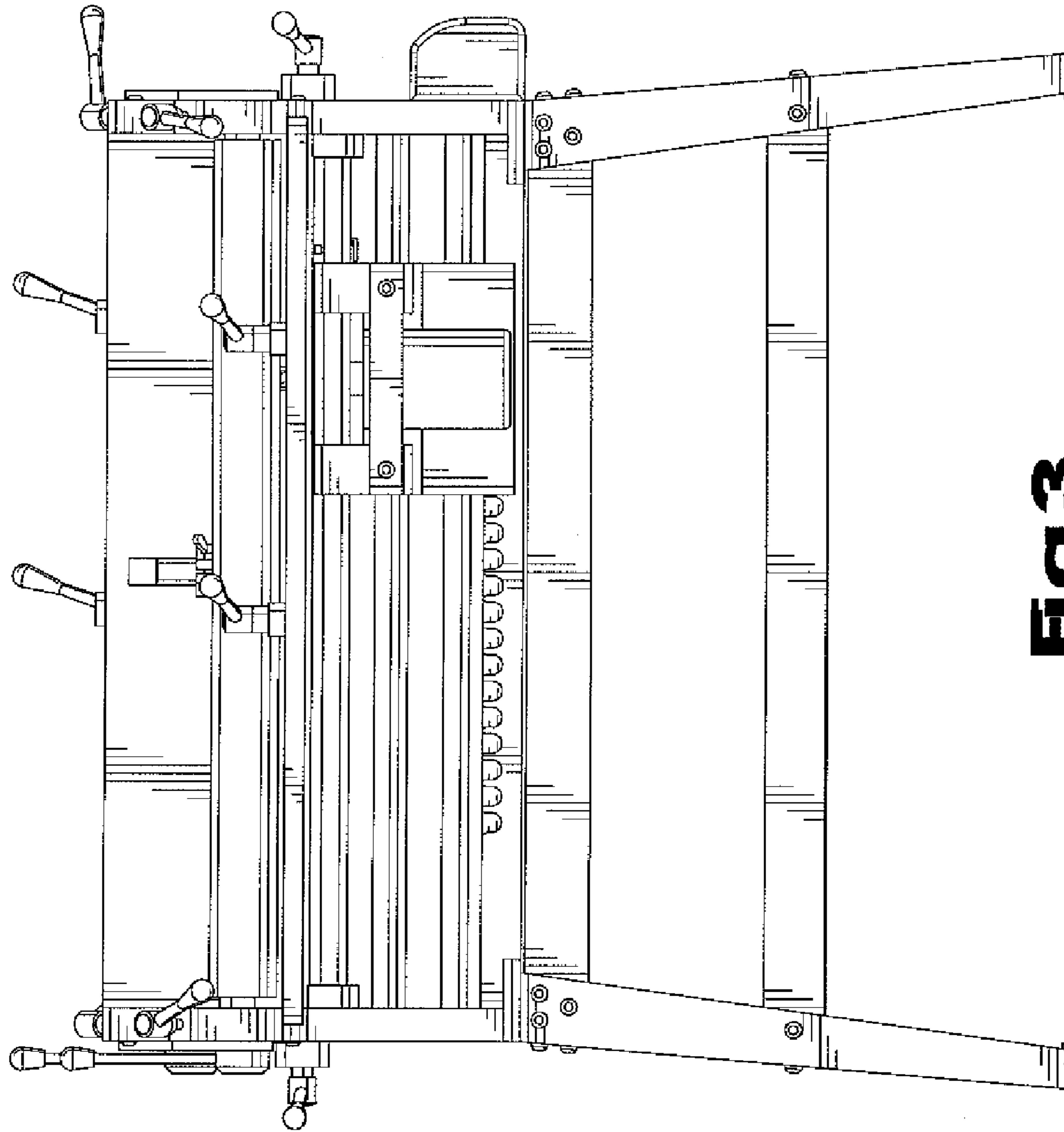




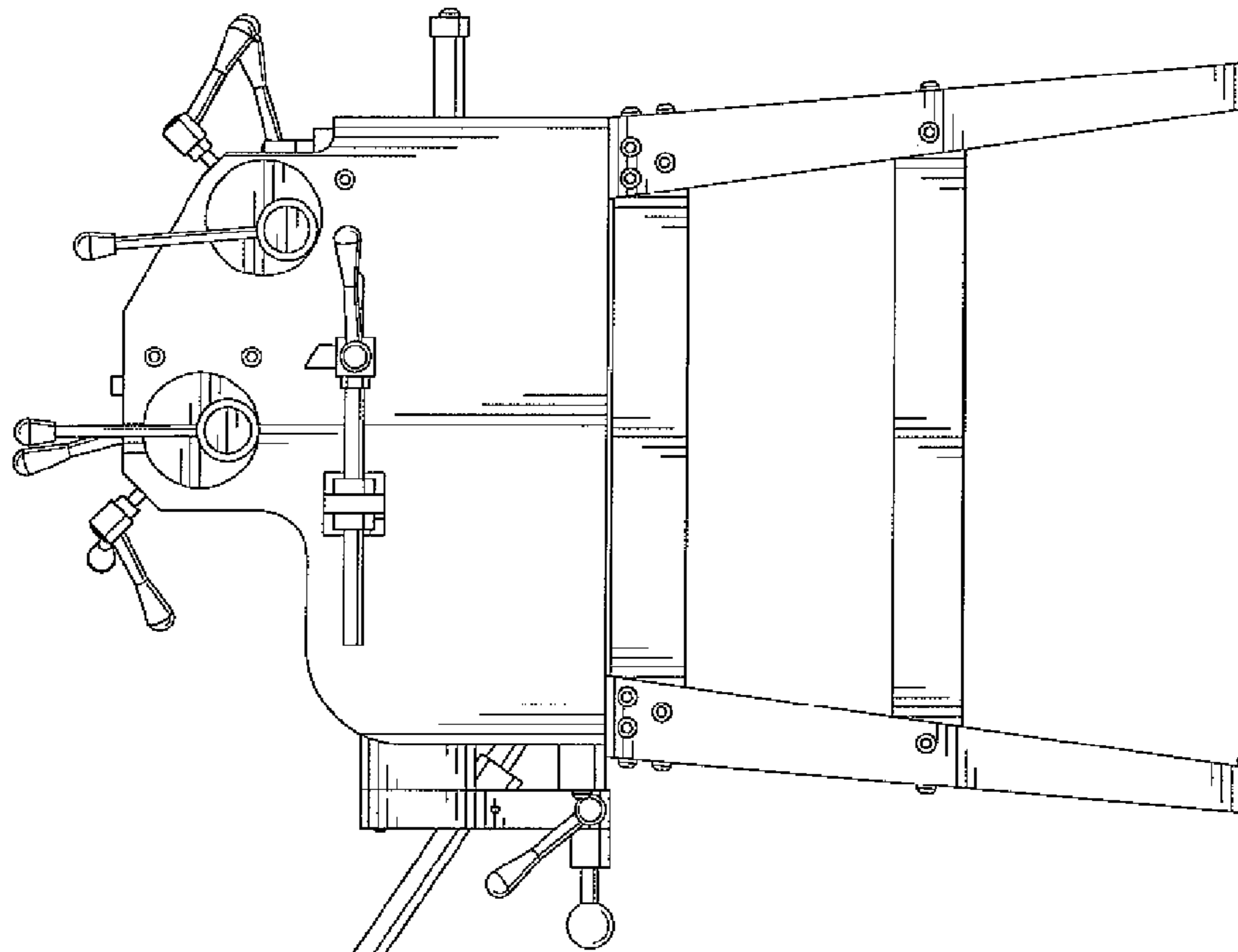
**Fig 1**



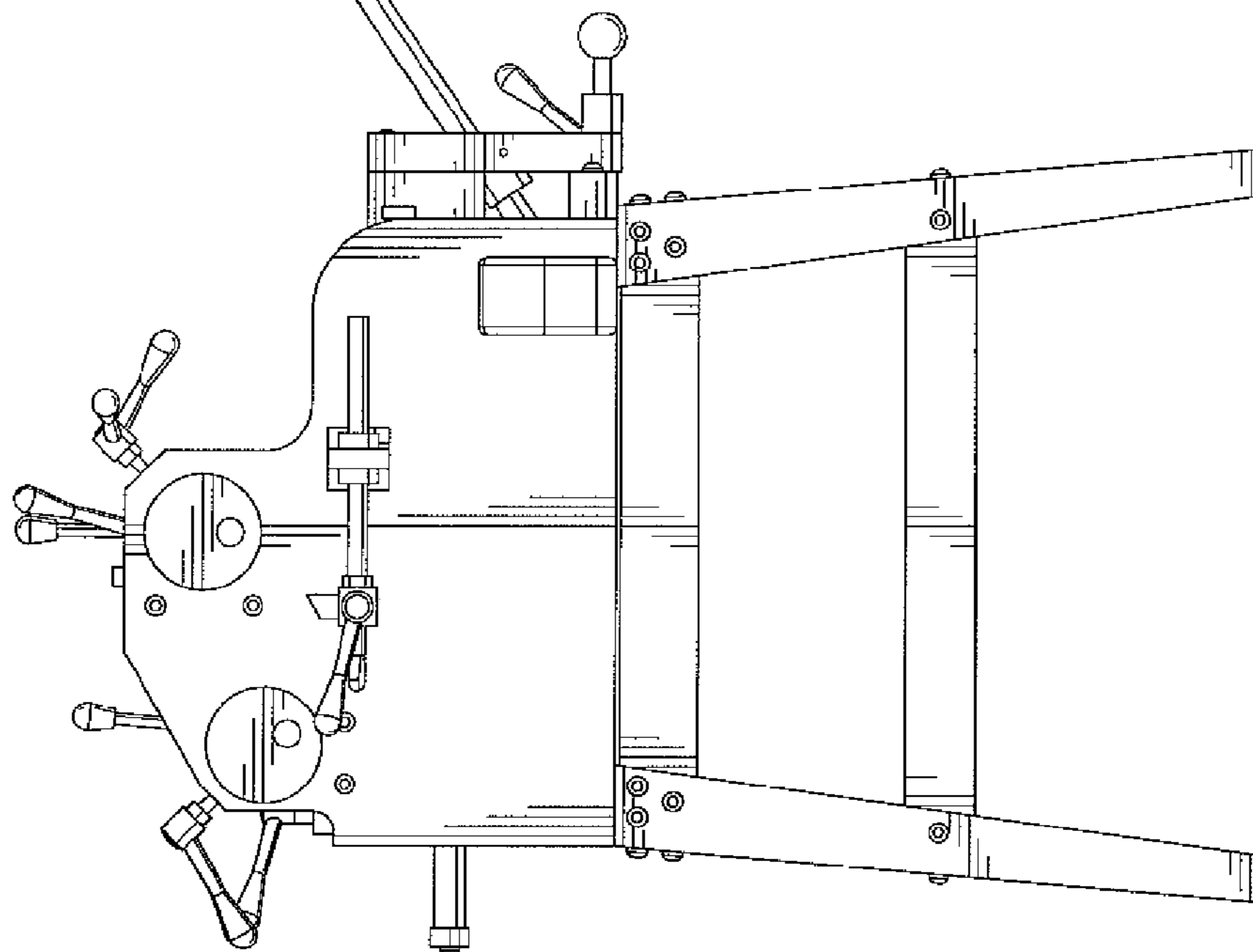
**Fig 2**



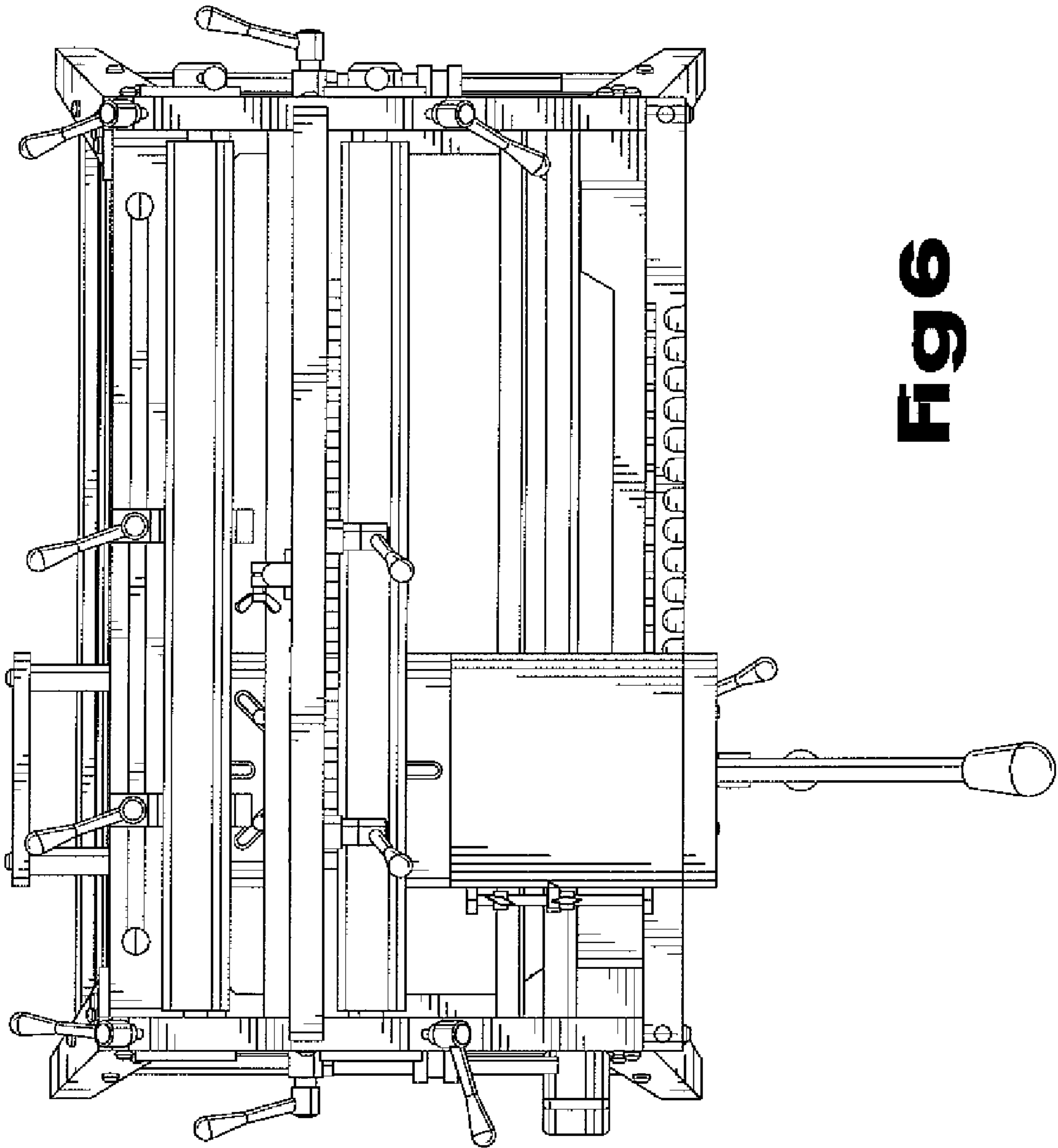
**Fig 3**



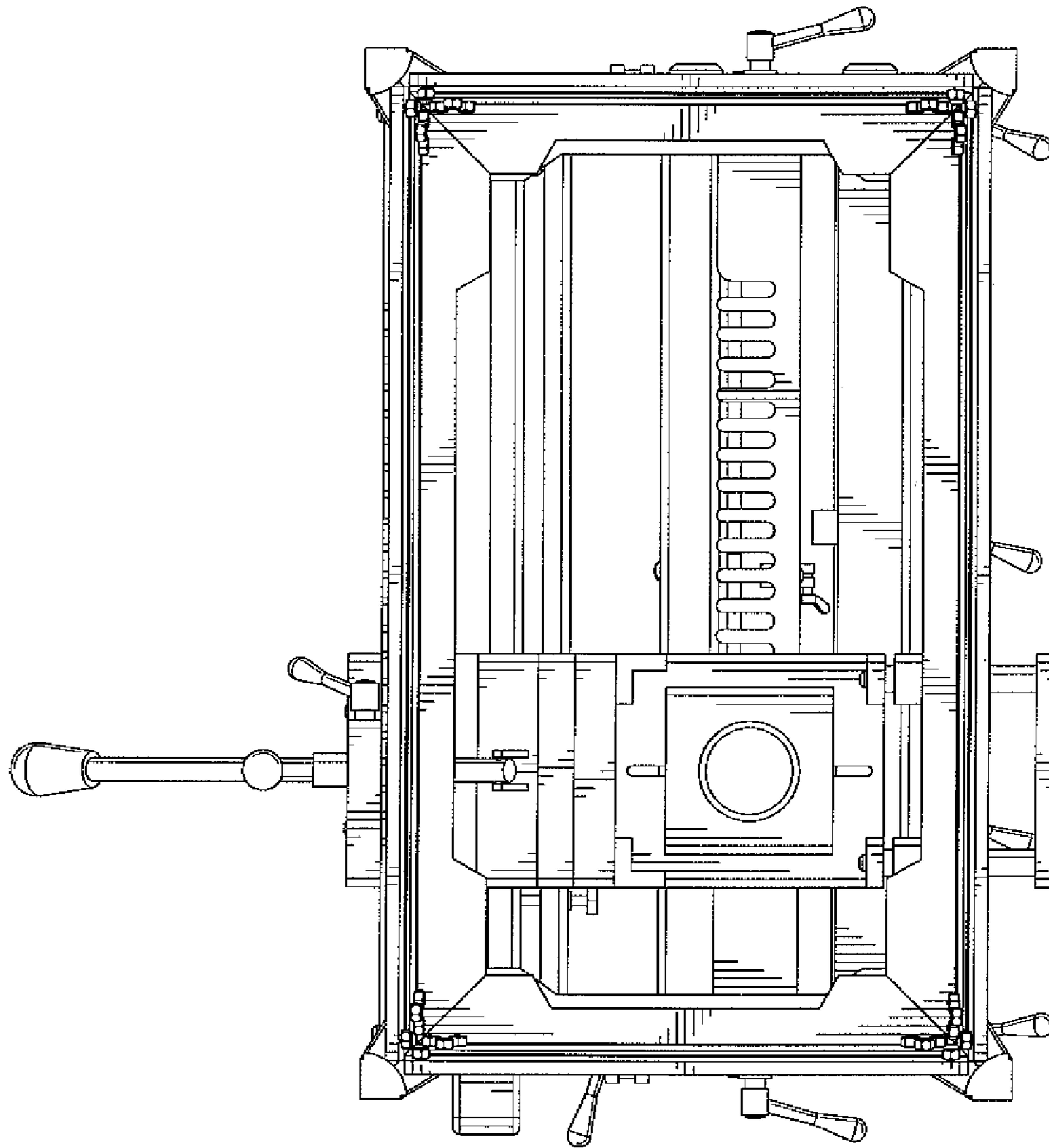
**Fig 5**



**Fig 4**



**Fig 6**



**Fig 7**