



US00D579466S

(12) **United States Design Patent**
Kanai

(10) **Patent No.:** **US D579,466 S**

(45) **Date of Patent:** **** Oct. 28, 2008**

(54) **SEWING MACHINE**

(75) Inventor: **Takashi Kanai**, Tokyo (JP)

(73) Assignee: **Janome Sewing Machine Co., Ltd.**,
Tokyo (JP)

(**) Term: **14 Years**

(21) Appl. No.: **29/287,978**

(22) Filed: **Oct. 5, 2007**

(30) **Foreign Application Priority Data**

May 21, 2007 (JP) 2007-013391

(51) **LOC (8) Cl.** **15-06**

(52) **U.S. Cl.** **D15/70; D15/68**

(58) **Field of Classification Search** D15/66-71,
D15/77; D21/527; 112/2, 78, 154, 475.01
See application file for complete search history.

(56) **References Cited**

U.S. PATENT DOCUMENTS

D433,690 S *	11/2000	Kuroki	D15/70
D434,426 S *	11/2000	Kuroki	D15/69
D435,052 S *	12/2000	Kuroki	D15/70
D437,329 S *	2/2001	Kuroki	D15/69
D460,765 S *	7/2002	Kuroki	D15/69
D523,030 S *	6/2006	Muto	D15/69

D524,829 S *	7/2006	Muto	D15/69
D529,054 S *	9/2006	Hosoi et al.	D15/69
D534,930 S *	1/2007	Hosoi et al.	D15/69
D536,008 S *	1/2007	Hosoi et al.	D15/69

* cited by examiner

Primary Examiner—Stella M. Reid

Assistant Examiner—Shanda Hill

(74) *Attorney, Agent, or Firm*—McGinn IP Law Group,
PLLC

(57) **CLAIM**

The ornamental design for a sewing machine, as shown and described.

DESCRIPTION

FIG. 1 is a front, right perspective view of a sewing machine showing my new design;

FIG. 2 is a front right perspective of FIG. 1, shown with the auxiliary table removed for ease of illustration;

FIG. 3 is a front elevational view of FIG. 1;

FIG. 4 is a rear elevational view of FIG. 1;

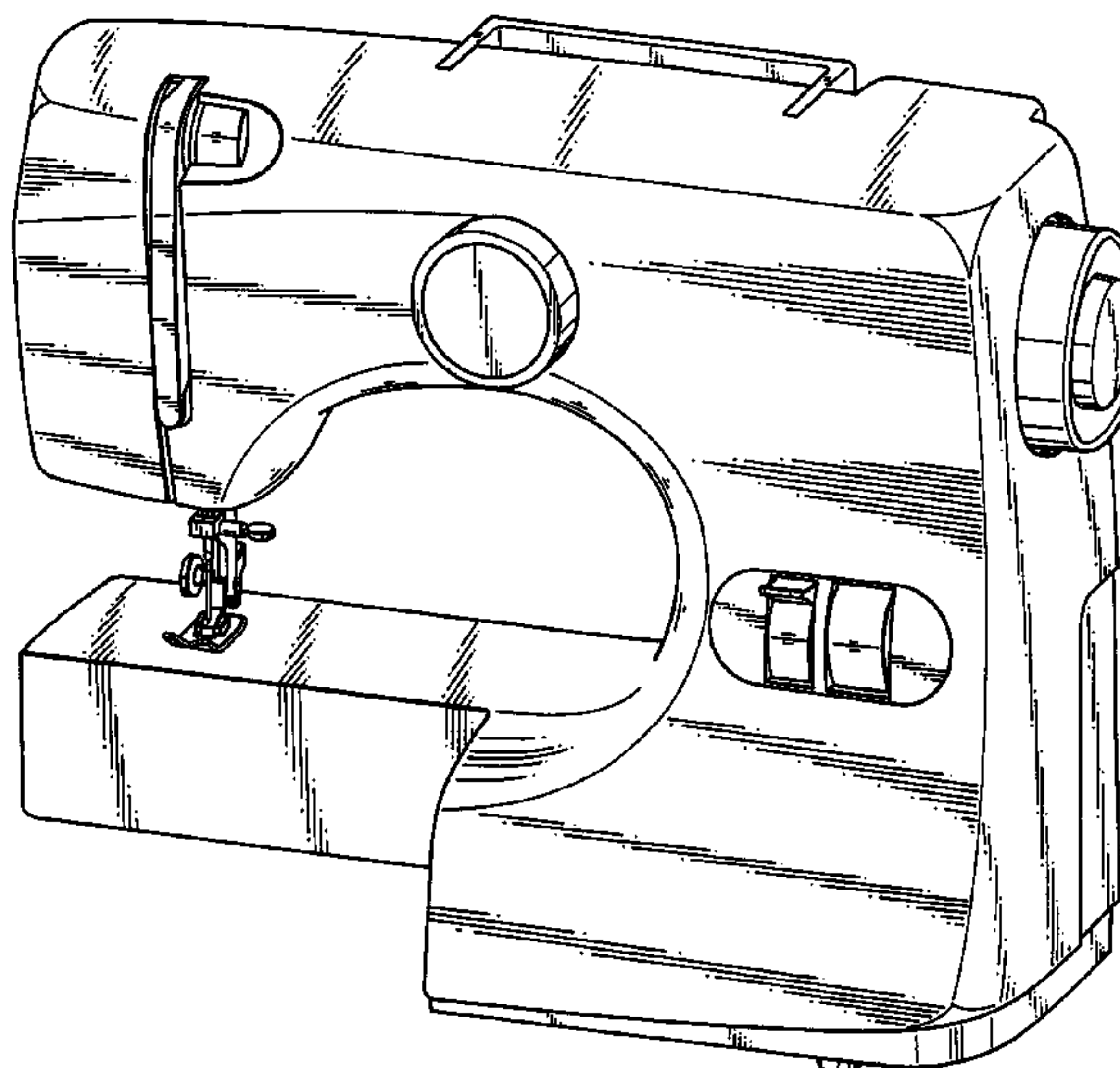
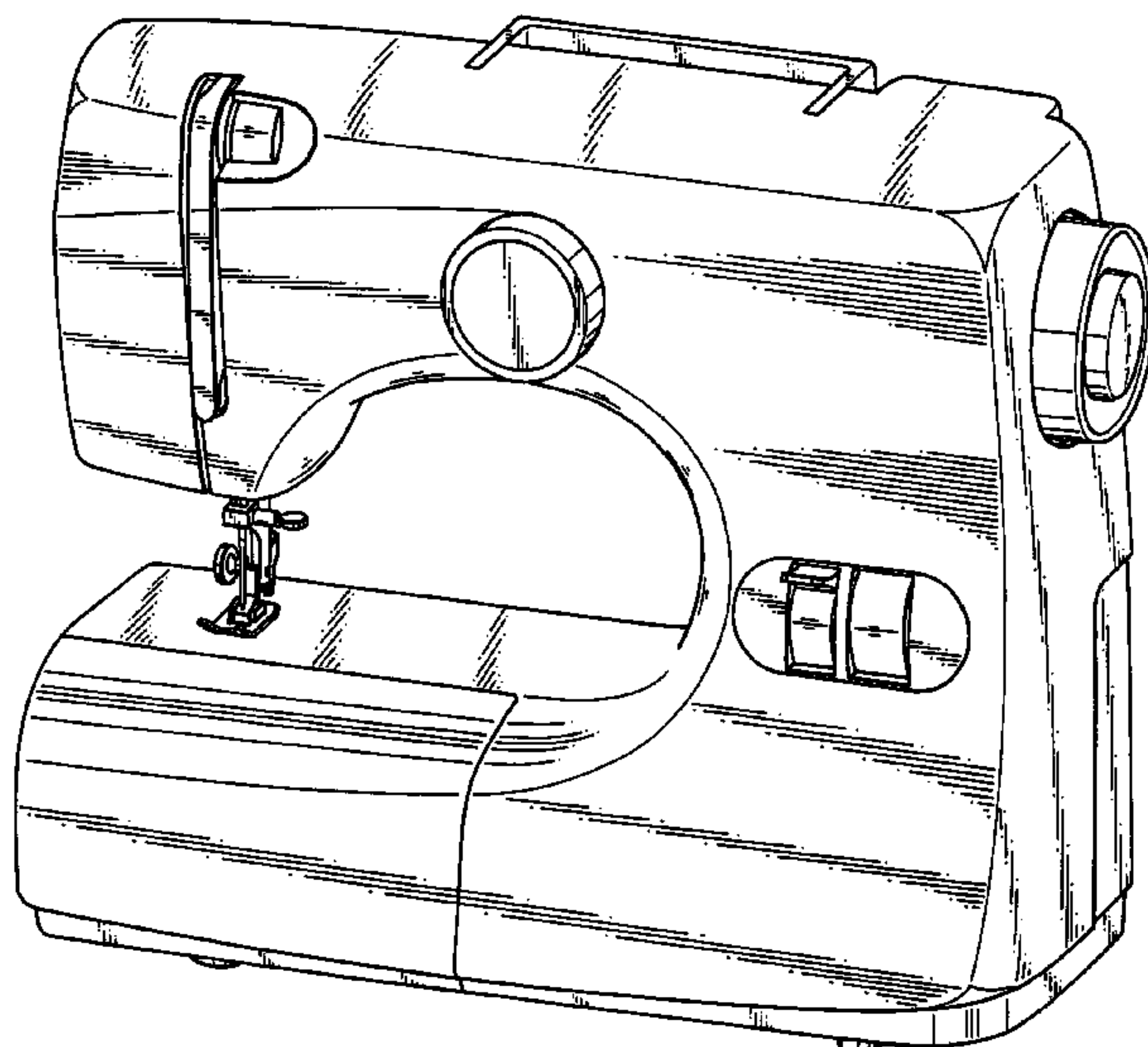
FIG. 5 is a left side elevational view of FIG. 1;

FIG. 6 is a right side elevational view of FIG. 1;

FIG. 7 is a top plan view of FIG. 1; and,

FIG. 8 is a bottom plan view of FIG. 1.

1 Claim, 8 Drawing Sheets



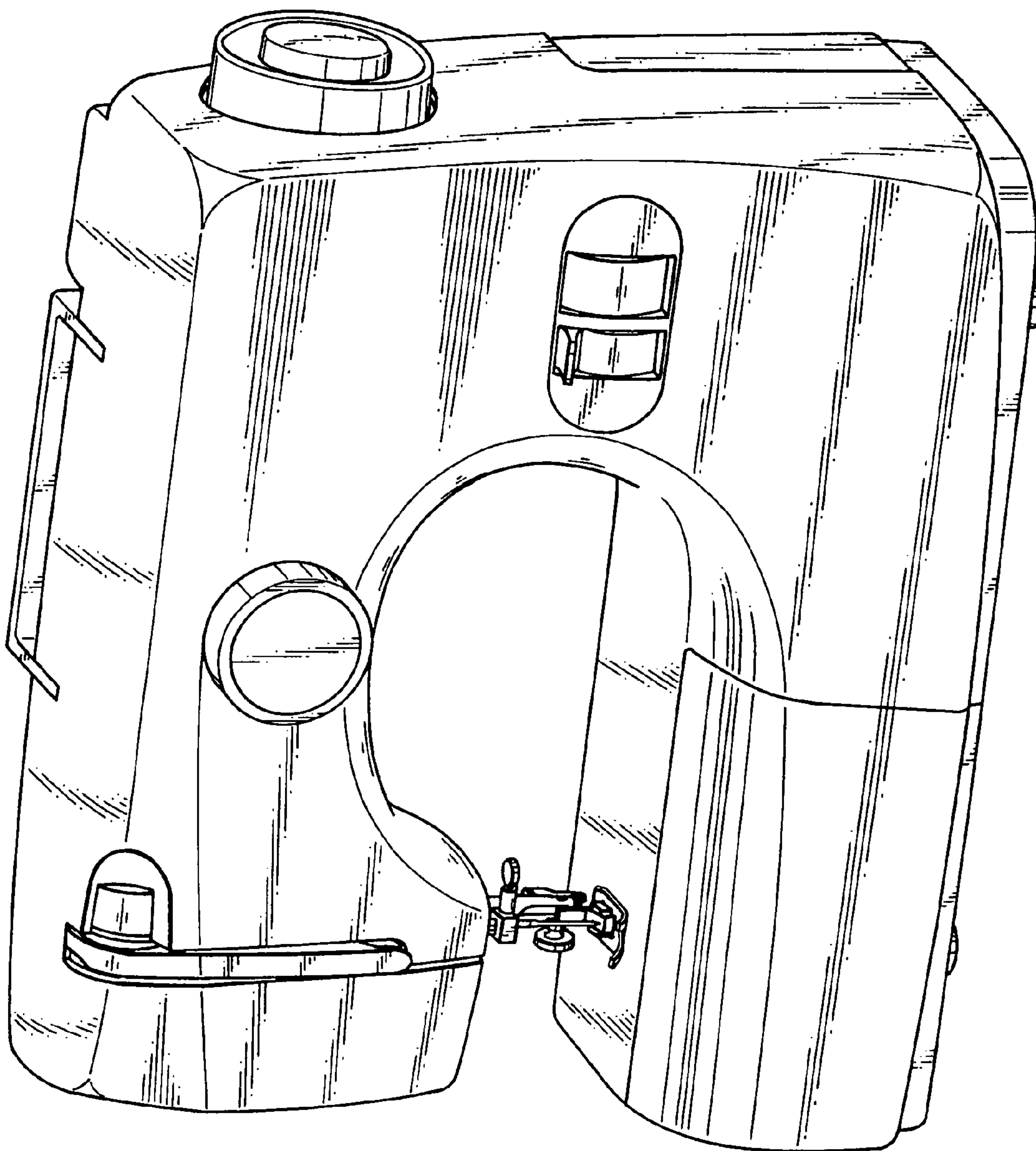


FIG. 1

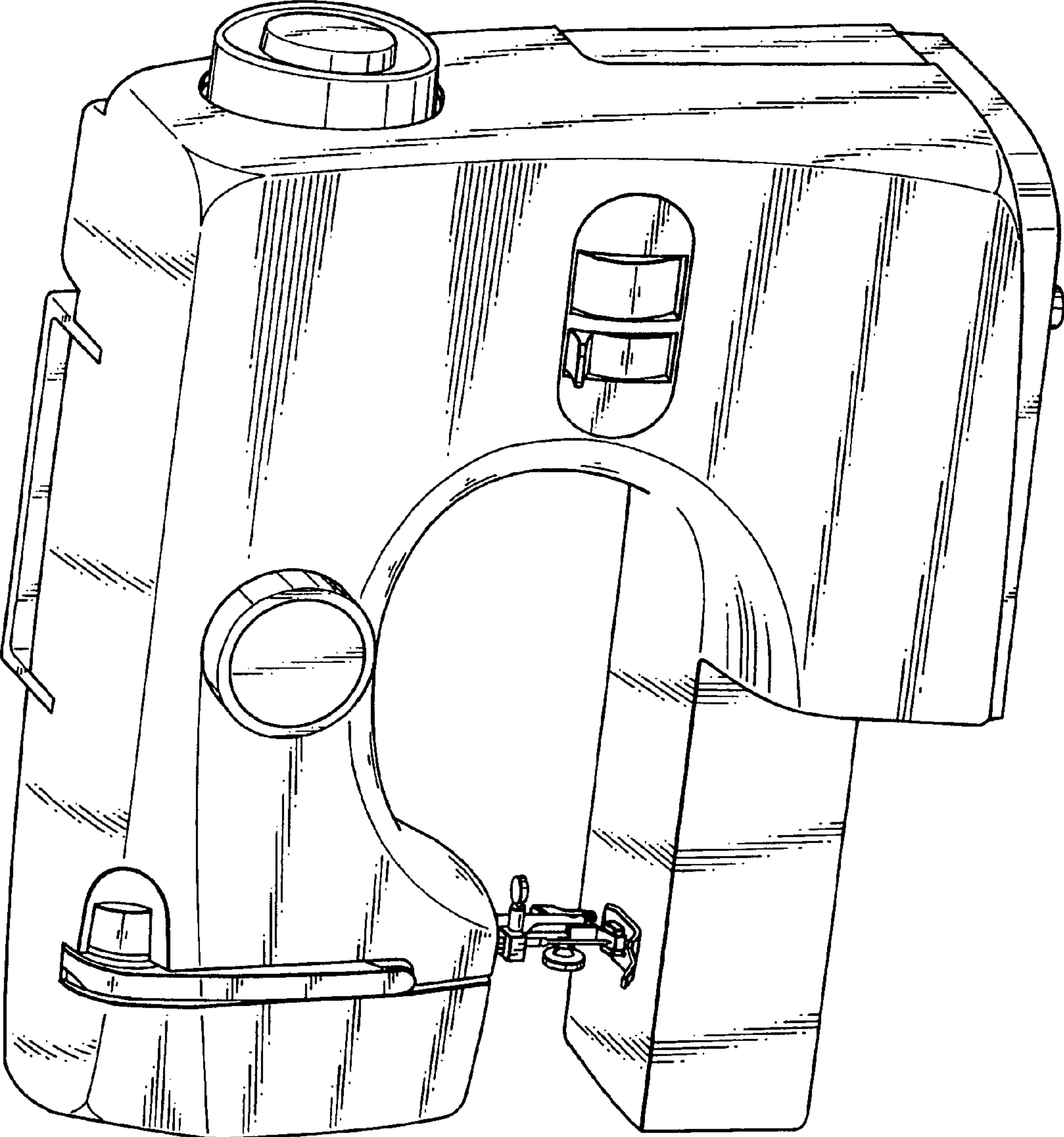


FIG. 2

FIG. 3

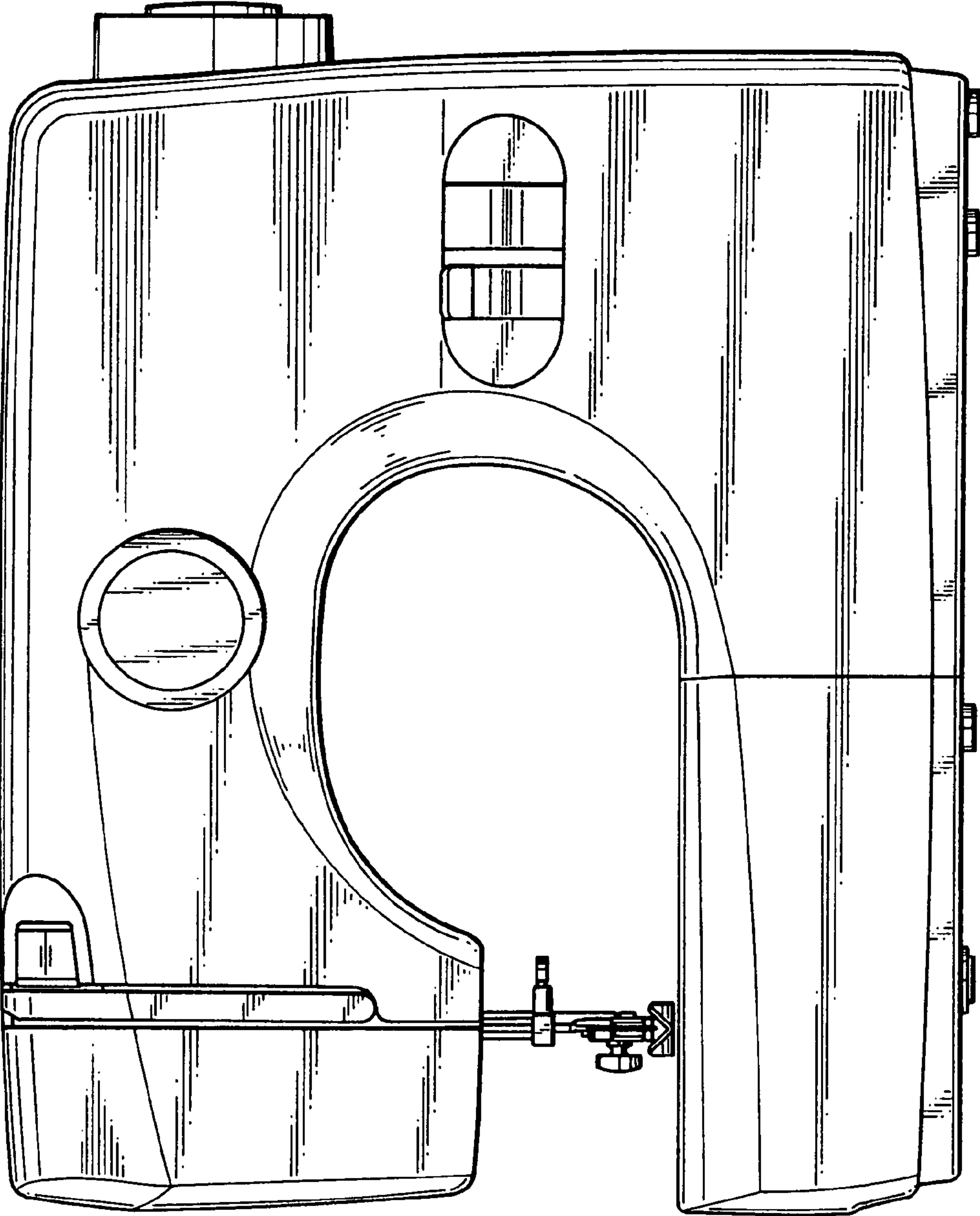


FIG. 4

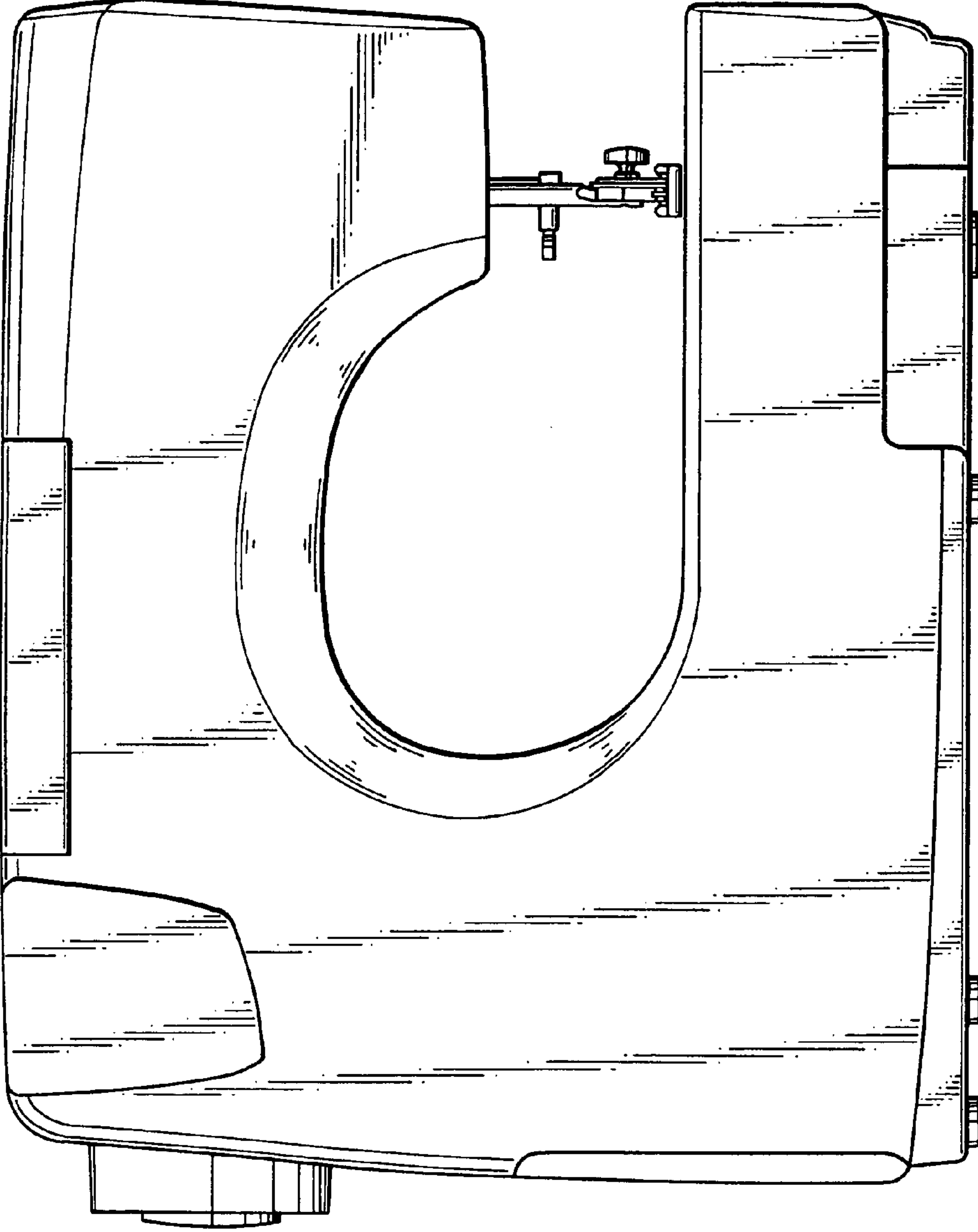


FIG. 5

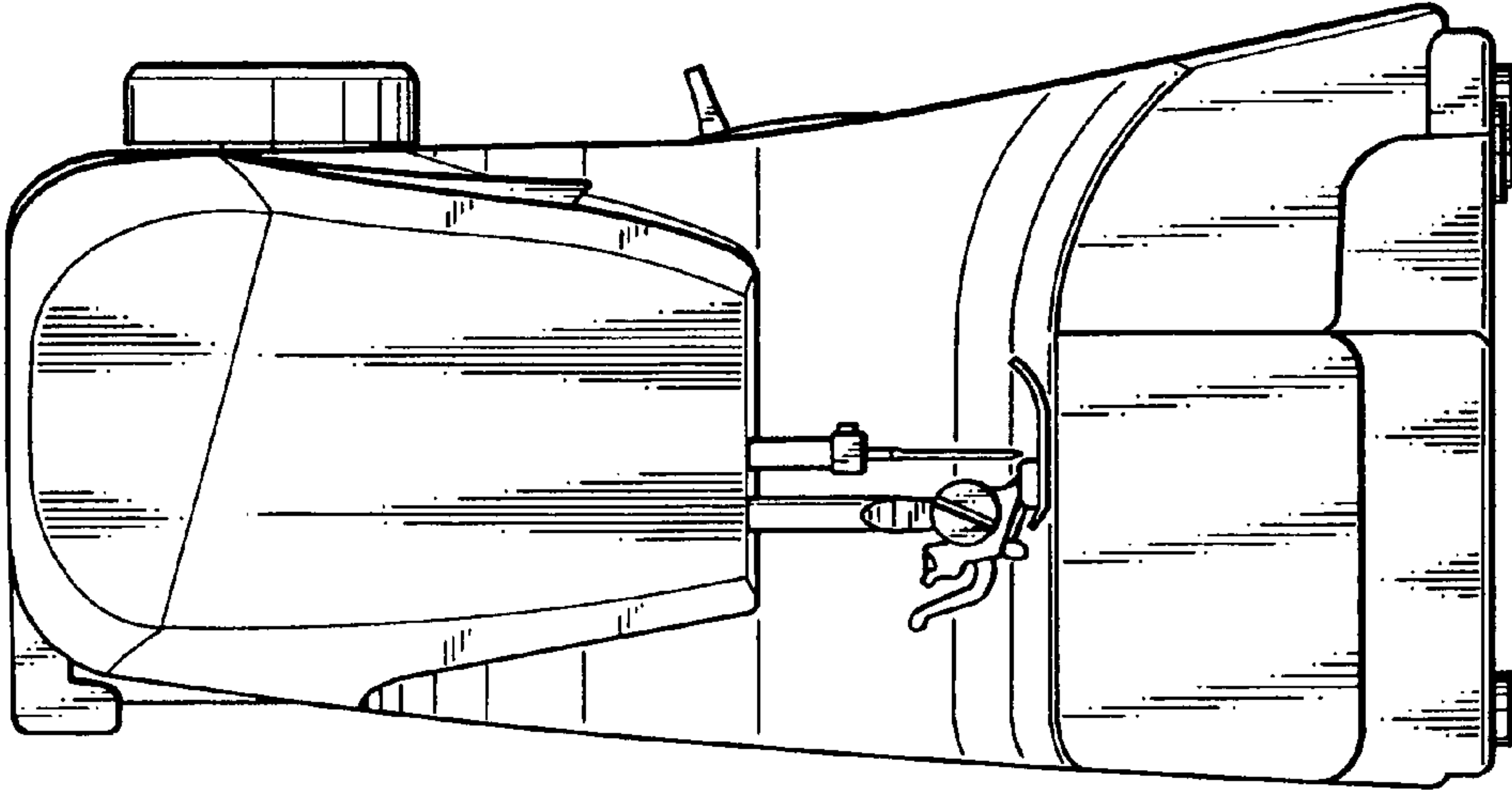


FIG. 6

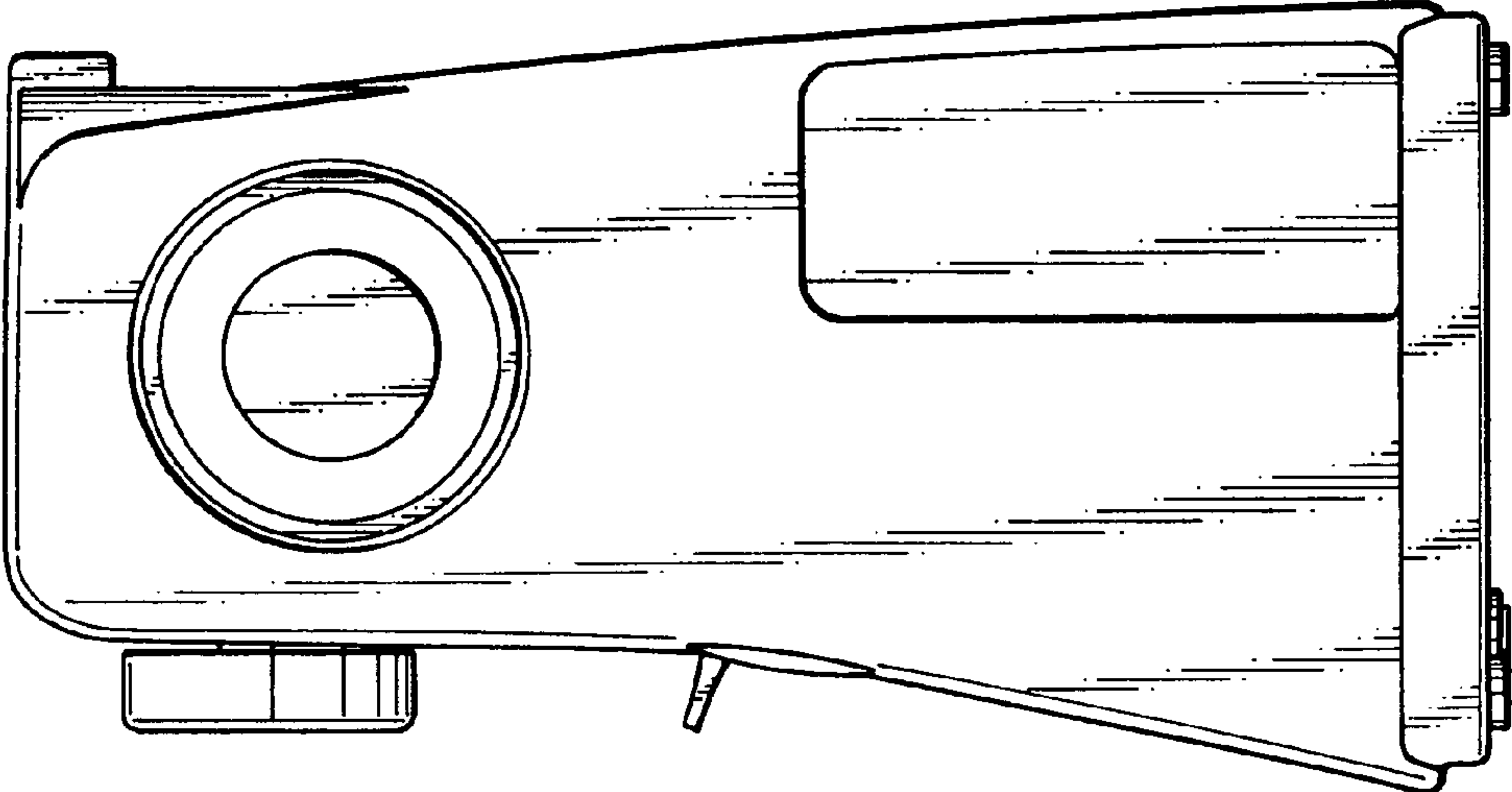


FIG. 7

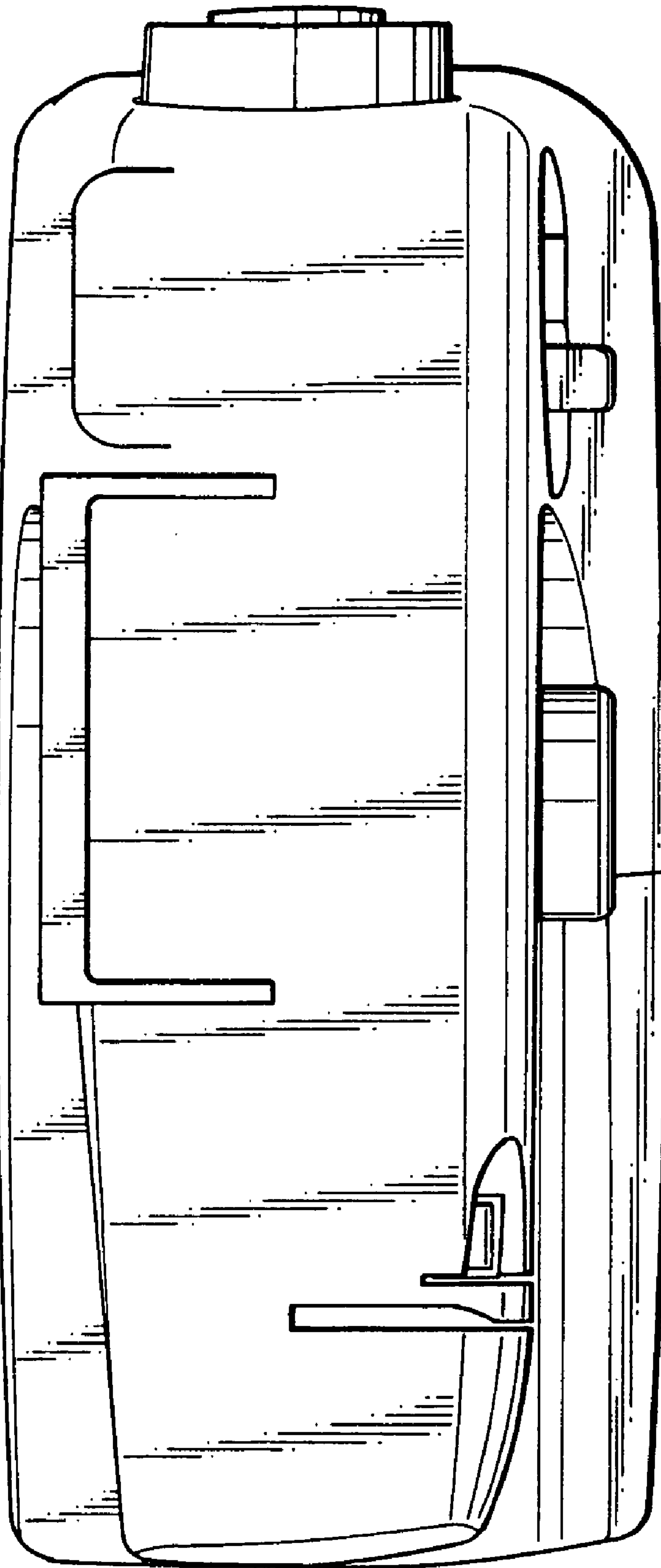


FIG. 8

