



US00D579464S

(12) **United States Design Patent**  
**Sewell et al.**

(10) **Patent No.:** **US D579,464 S**  
(45) **Date of Patent:** **\*\* Oct. 28, 2008**

(54) **THREE-WHEEL ARTICULATED TRENCHER**

(75) Inventors: **Cody L. Sewell**, Perry, OK (US); **Jacob A. Hamburger**, Perry, OK (US); **Michael D. Buck**, Perry, OK (US); **Dennis E. Bass**, Perry, OK (US); **Stephen G. Miggels**, Wyckoff, NJ (US); **Christopher Barrow**, Queens Village, NY (US); **Henry Mack**, Phillipsburg, NJ (US)

(73) Assignee: **The Charles Machine Works, Inc.**, Perry, OK (US)

(\*\*) Term: **14 Years**

(21) Appl. No.: **29/295,195**

(22) Filed: **Sep. 21, 2007**

(51) **LOC (8) Cl.** ..... **15-03**

(52) **U.S. Cl.** ..... **D15/22; D15/21; D15/10**

(58) **Field of Classification Search** ..... D15/10, D15/11, 12, 21, 22, 23, 28, 33; D12/14, D12/15; D34/16, 18, 19; 56/2; 172/256, 172/329, 332, 351, 354, 42-48; 280/418; 37/352, 363, 86, 191 A, 192 A, 465, 362, 37/421, 422; 180/6.64, 8.3, 418, 305, 19.1, 180/89.12; 414/744.1, 685-688, 699, 680; 298/1 C, 22 R, 7

See application file for complete search history.

(56) **References Cited**

**U.S. PATENT DOCUMENTS**

D153,255 S *	4/1949	Boza	.....	D34/16
D159,877 S *	8/1950	Whiteman	.....	D12/15
D159,987 S *	9/1950	Jones	.....	D34/16
D166,817 S *	5/1952	Miller et al.	.....	D34/16
2,835,055 A *	5/1958	Hermes	.....	37/363
2,990,631 A *	7/1961	Brown	.....	37/363

D195,254 S *	5/1963	Keller et al.	.....	D15/25
D196,297 S *	9/1963	Malzahn	.....	D15/22
D205,485 S *	8/1966	Juhl et al.	.....	D15/25
4,222,186 A *	9/1980	Molby	.....	37/410

(Continued)

**OTHER PUBLICATIONS**

Burkeen Manufacturing Company, "TP16 Trencher-Plow", brochure, Olive Branch, Mississippi.

(Continued)

*Primary Examiner*—Stella M. Reid

*Assistant Examiner*—Mark A Goodwin

(74) *Attorney, Agent, or Firm*—Tomlinson & O'Connell, PC

(57) **CLAIM**

The ornamental design for a three-wheel articulated trencher, as shown and described.

**DESCRIPTION**

FIG. 1 is a left side view of a three-wheel articulated trencher showing our new design;

FIG. 2 is an enlarged rear view thereof;

FIG. 3 is an enlarged front view thereof;

FIG. 4 is a right side view thereof;

FIG. 5 is a top view thereof;

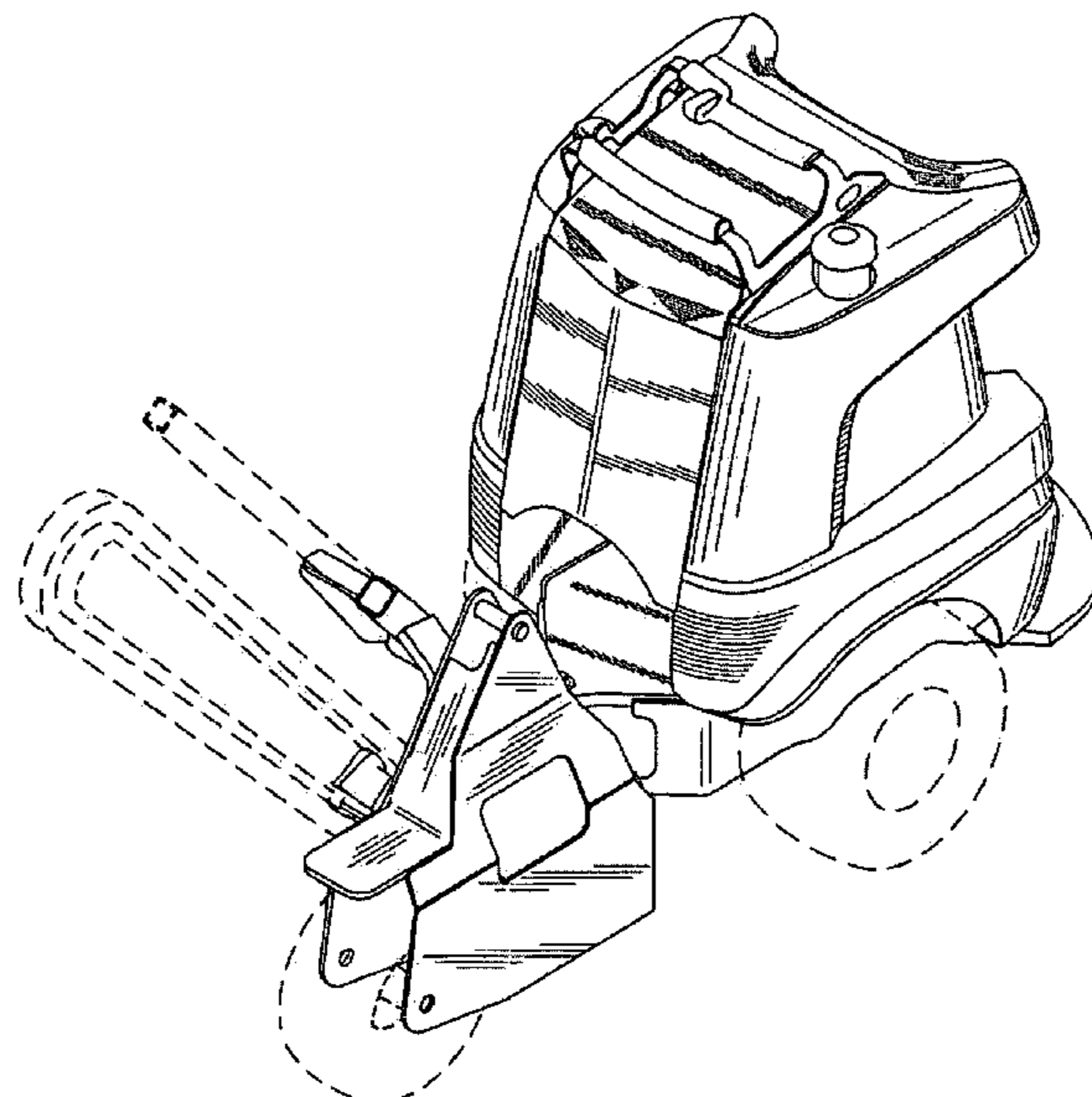
FIG. 6 is a bottom view thereof;

FIG. 7 is a front top left perspective view thereof; and,

FIG. 8 is front top right perspective view.

The broken line showing of the wheels and trench digging apparatus is included for the purpose of illustrating portions of the three-wheel articulated trencher and forms no part of the claimed design.

**1 Claim, 8 Drawing Sheets**



# US D579,464 S

Page 2

## U.S. PATENT DOCUMENTS

4,322,899	A *	4/1982	Clune	37/352	6,619,754	B1 *	9/2003	Dombek et al.	298/1 C
D266,765	S *	11/1982	Clune	D15/21	6,715,579	B1 *	4/2004	Hendron	280/764.1
4,401,408	A *	8/1983	Gibert	414/687	6,766,601	B2 *	7/2004	Dickins	37/363
4,402,352	A *	9/1983	Hodges	144/24.12	6,830,111	B2 *	12/2004	Page	172/42
D281,428	S *	11/1985	Kent	D15/21	6,848,526	B2 *	2/2005	Burt et al.	180/69.4
D294,032	S *	2/1988	Whiffin	D15/25	6,860,043	B1 *	3/2005	Heise et al.	37/352
4,896,442	A *	1/1990	Stiff et al.	37/355	6,889,793	B2 *	5/2005	Okada et al.	180/435
D319,063	S *	8/1991	Warren	D15/21	6,955,404	B1 *	10/2005	Best et al.	298/1 C
5,212,896	A *	5/1993	Hillard et al.	37/355	6,962,209	B2 *	11/2005	Isaman et al.	172/19
5,228,221	A *	7/1993	Hillard et al.	37/355	6,997,667	B2 *	2/2006	Hackett et al.	414/685
D359,497	S *	6/1995	Rayner	D15/25	D555,673	S *	11/2007	Hendron et al.	D15/22
D410,313	S *	5/1999	Dombek et al.	D34/19	2001/0000641	A1 *	5/2001	Dombek et al.	298/7
D431,574	S *	10/2000	Porter	D15/25	2001/0040405	A1 *	11/2001	Jansen et al.	298/1 C
6,151,811	A	11/2000	Barreto		2003/0095857	A1 *	5/2003	Degelman	414/685
6,155,648	A *	12/2000	Dombek et al.	298/1 C	2003/0221399	A1 *	12/2003	Hall	56/2
D438,218	S *	2/2001	McIlwraith	D15/25	2006/0119164	A1 *	6/2006	Heskin	298/1 C
6,322,151	B2 *	11/2001	Dombek et al.	298/1 C	2007/0131437	A1 *	6/2007	Sewell	172/256
6,397,667	B1	6/2002	Fujii		2007/0132204	A1 *	6/2007	Sewell	280/418
6,397,967	B1 *	6/2002	McIlwraith	180/308					
6,425,452	B1 *	7/2002	Steiner et al.	180/233					
D463,454	S *	9/2002	Miller et al.	D15/22					
6,578,924	B2 *	6/2003	Jansen et al.	298/1 C					
D479,535	S *	9/2003	Lange	D15/25					

## OTHER PUBLICATIONS

Burkeen Equipment & Supply Company, Walk Behind Trencher/  
Plow, advertisement, 1981, Memphis Tennessee.  
Davis, "Davis Fleetline 12+2", brochure.

\* cited by examiner

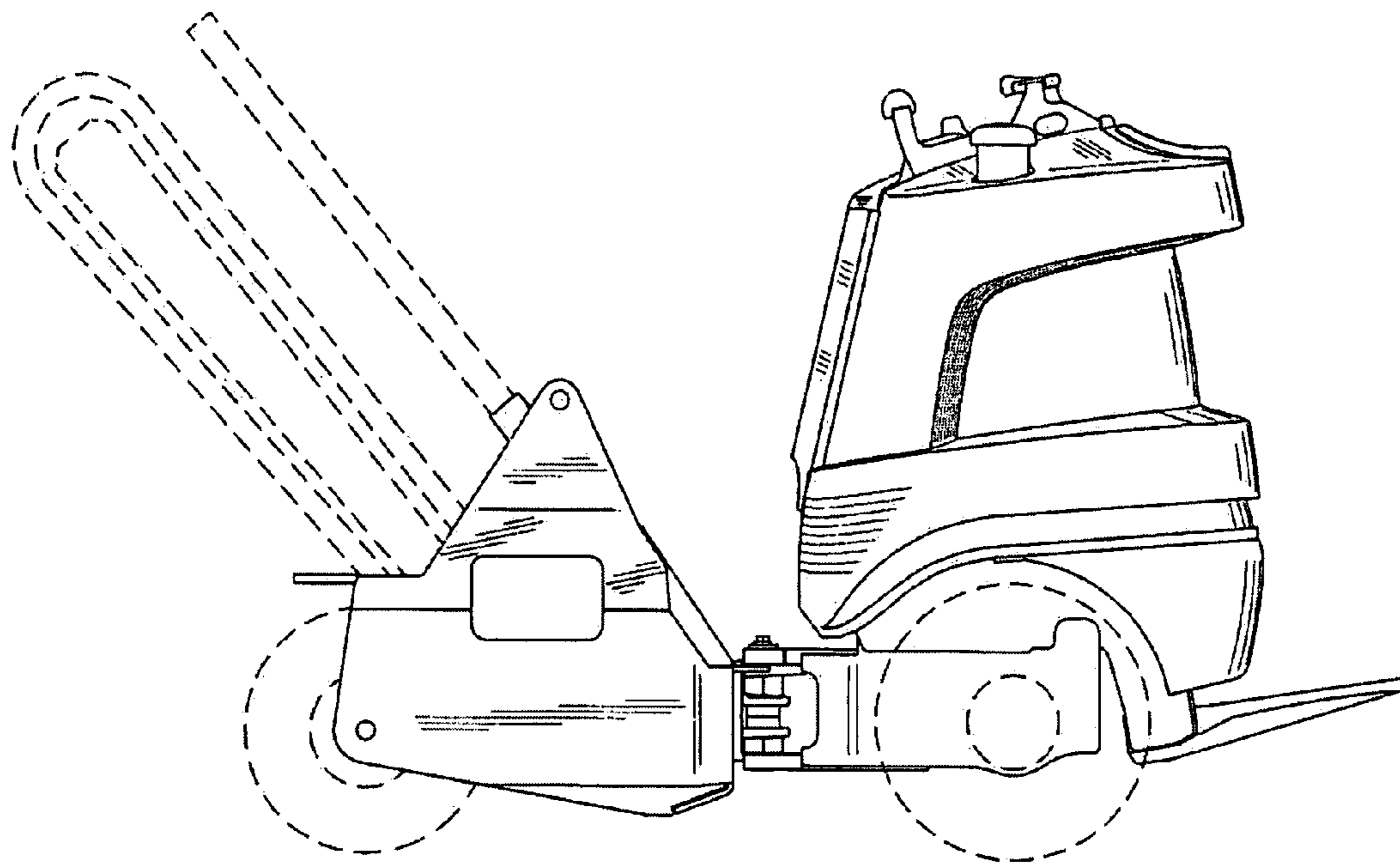
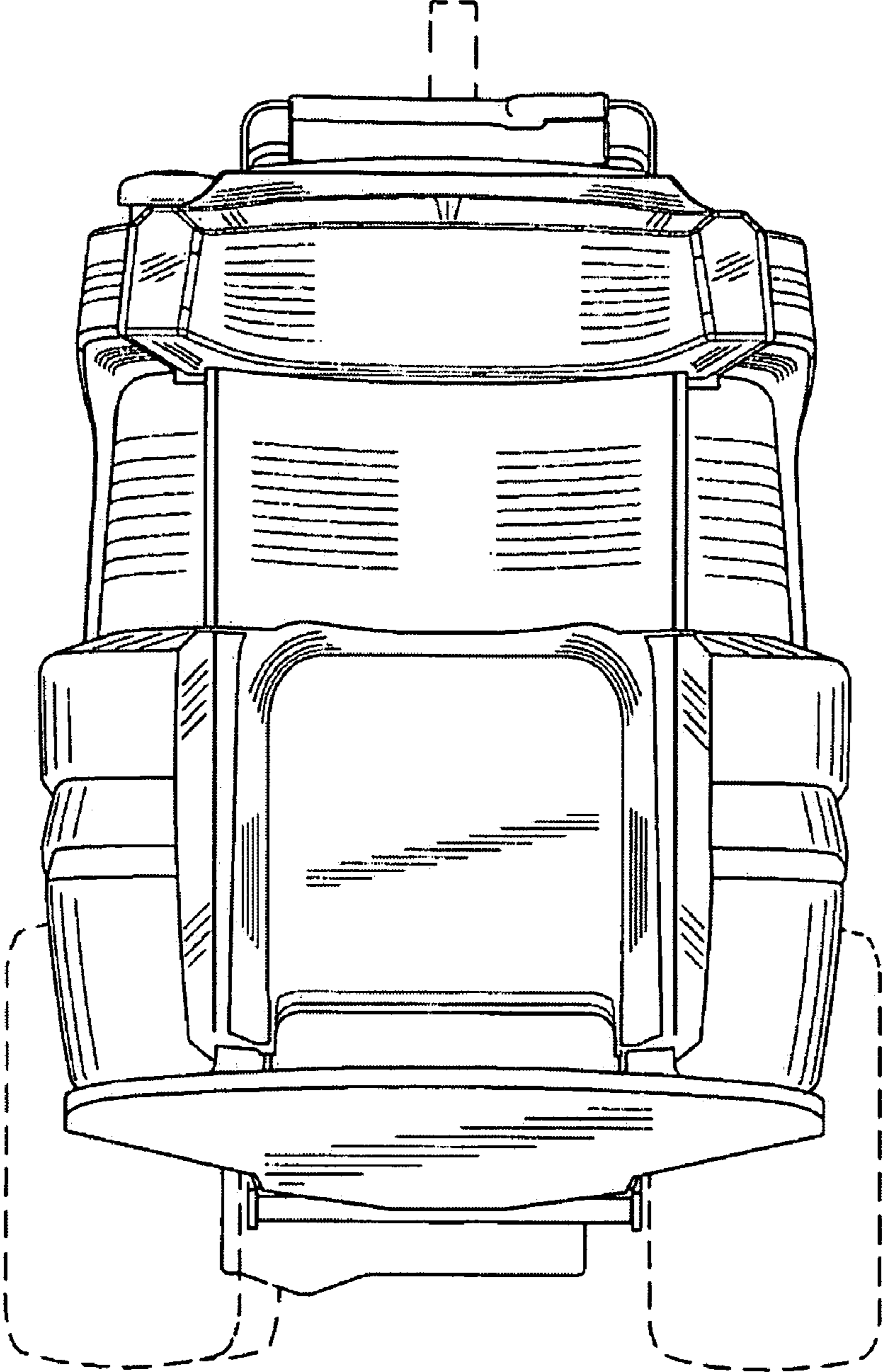
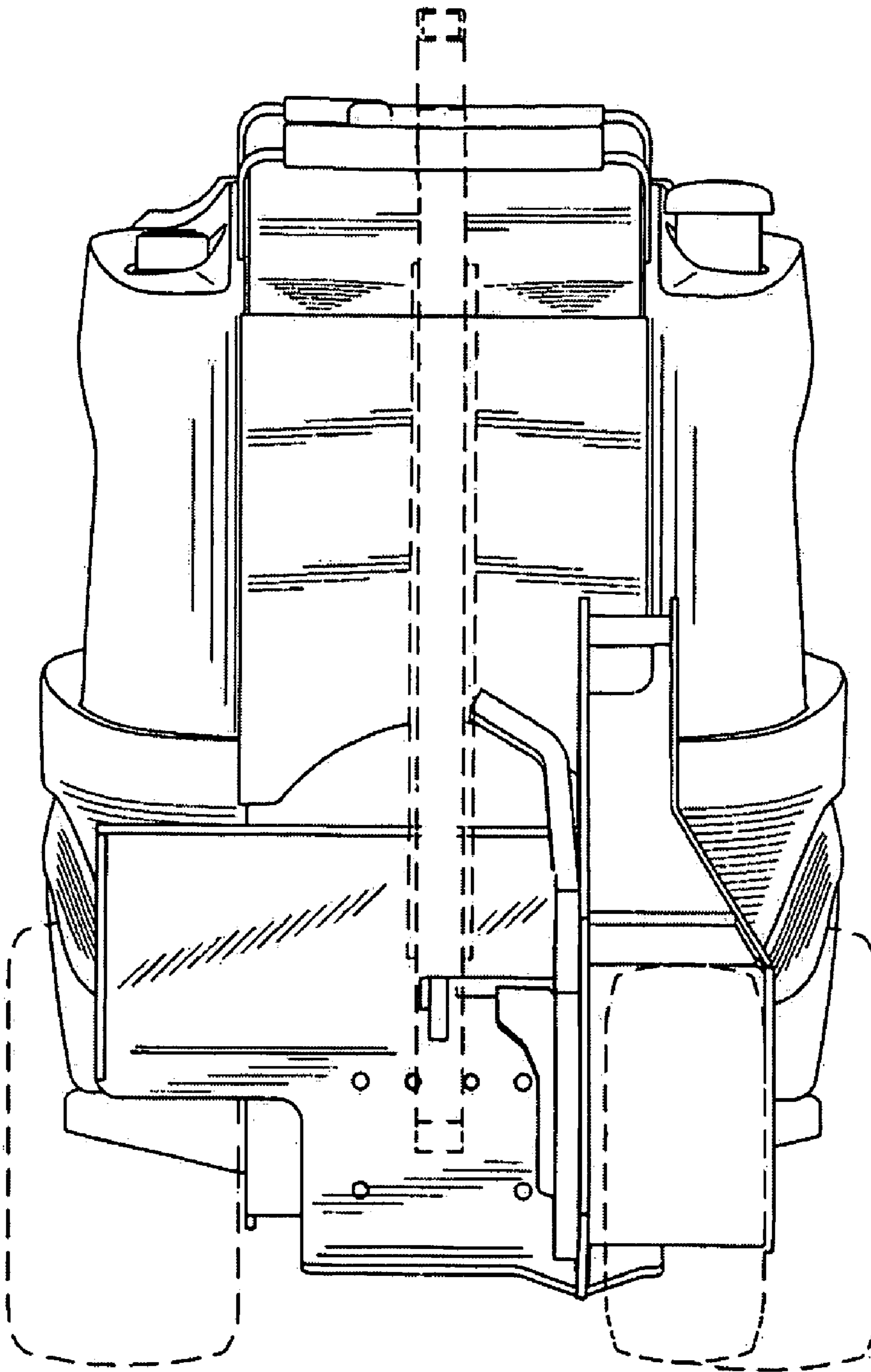


FIGURE 1



**FIGURE 2**



**FIGURE 3**

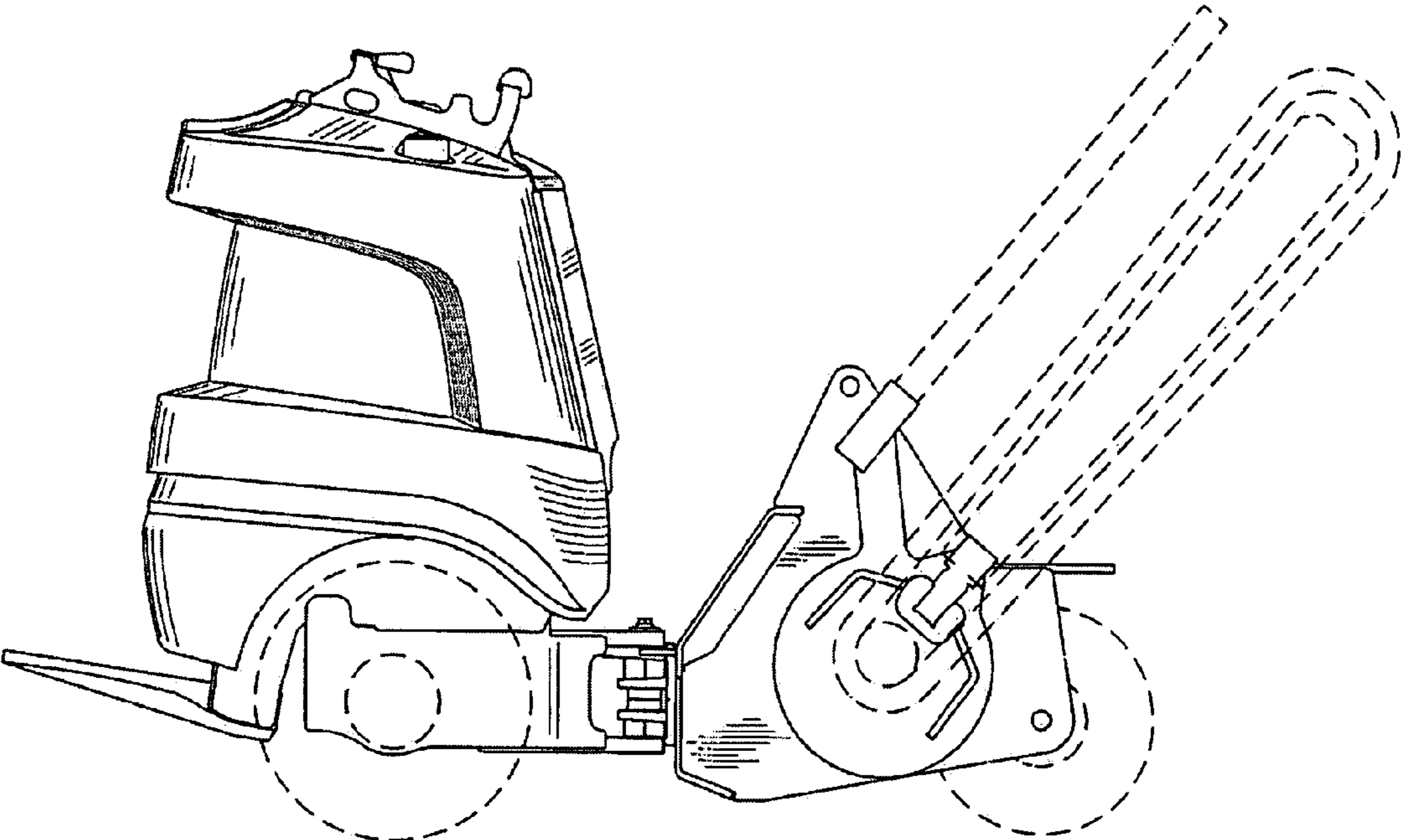


FIGURE 4

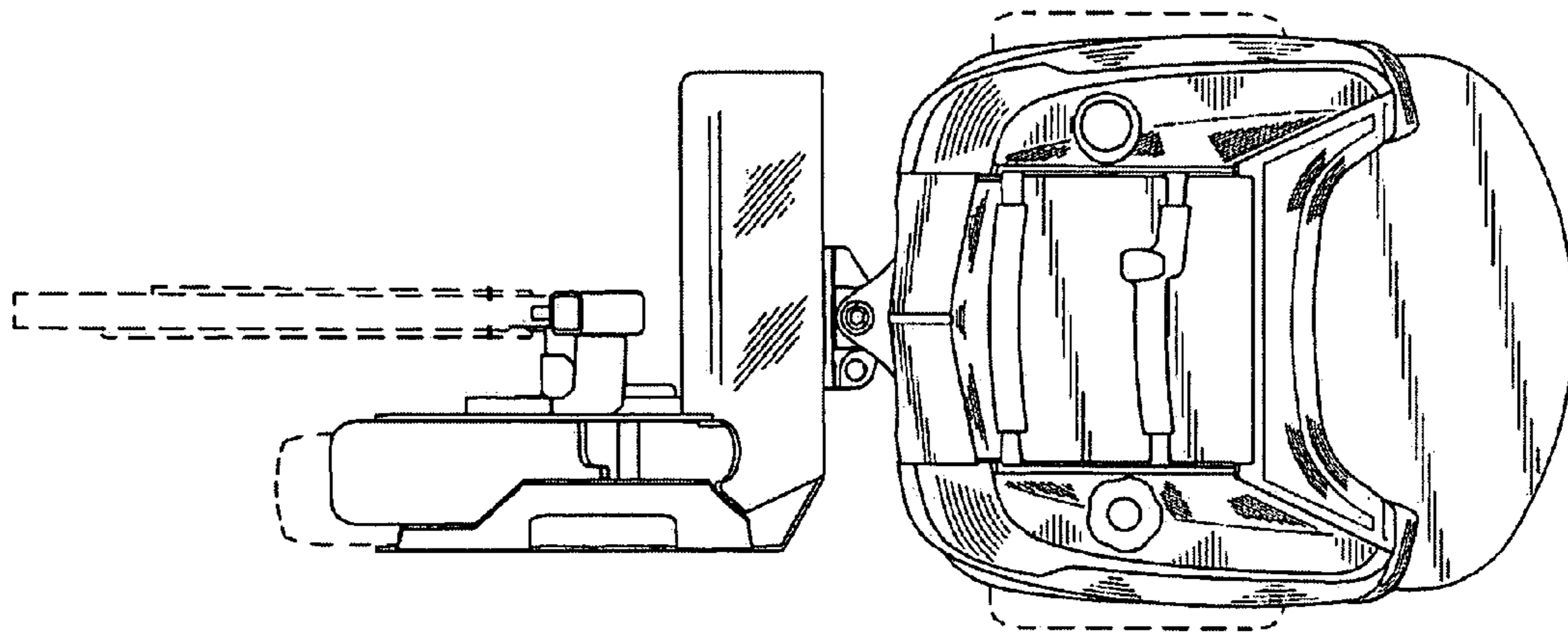


FIGURE 5

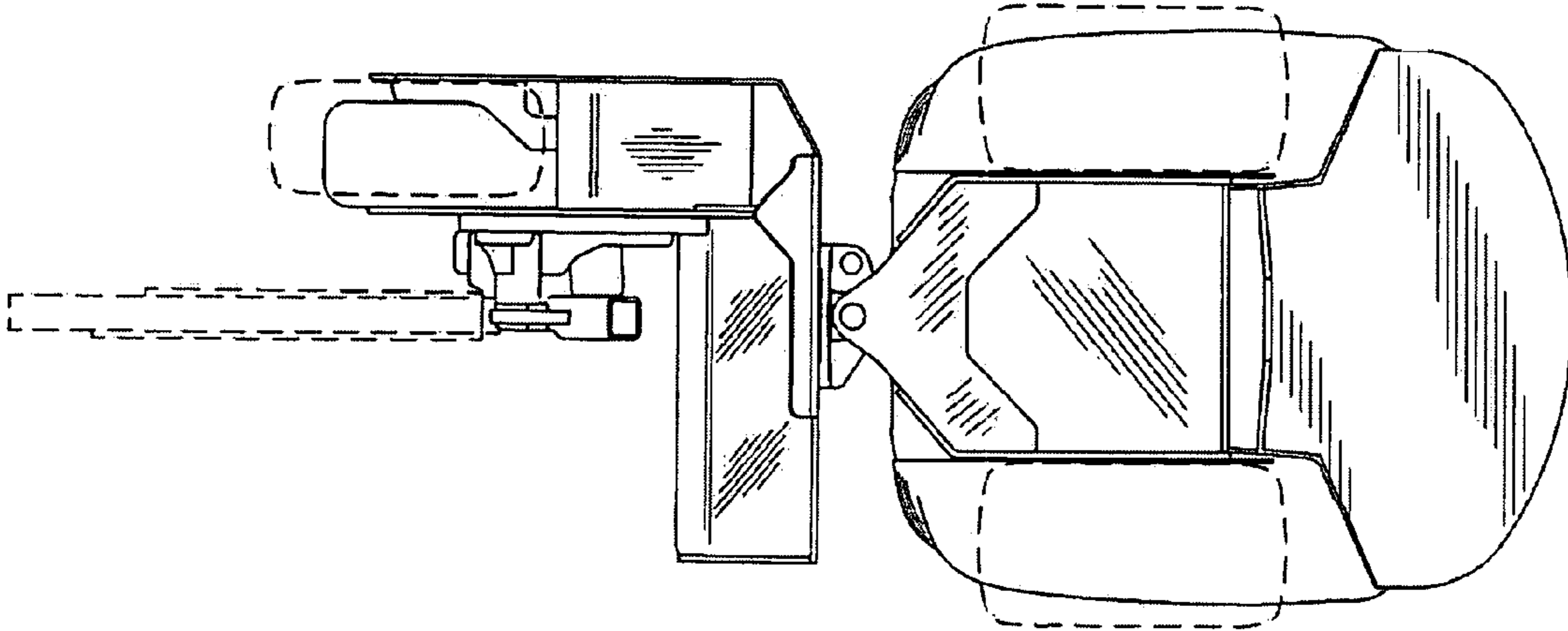


FIGURE 6



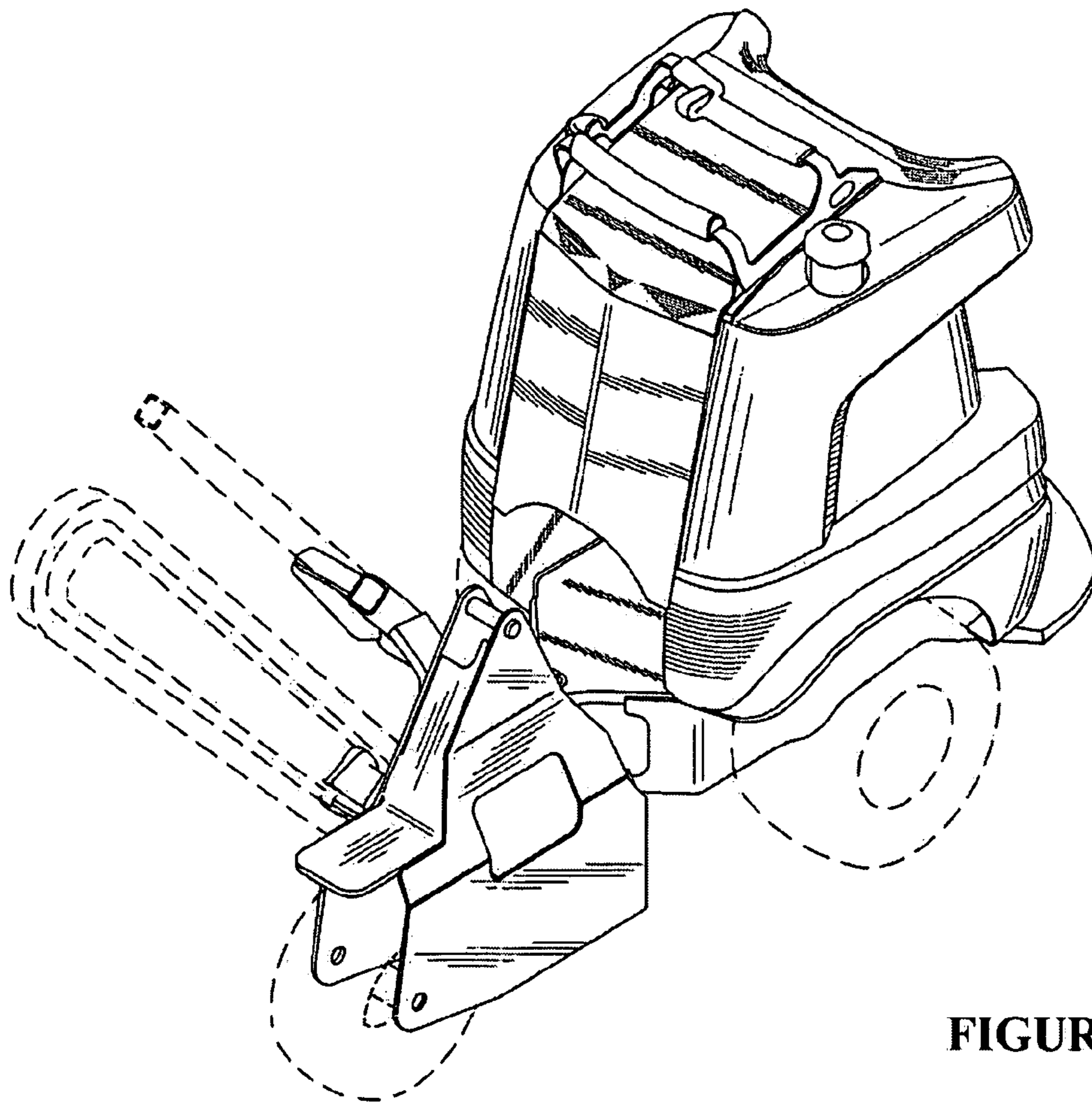


FIGURE 7

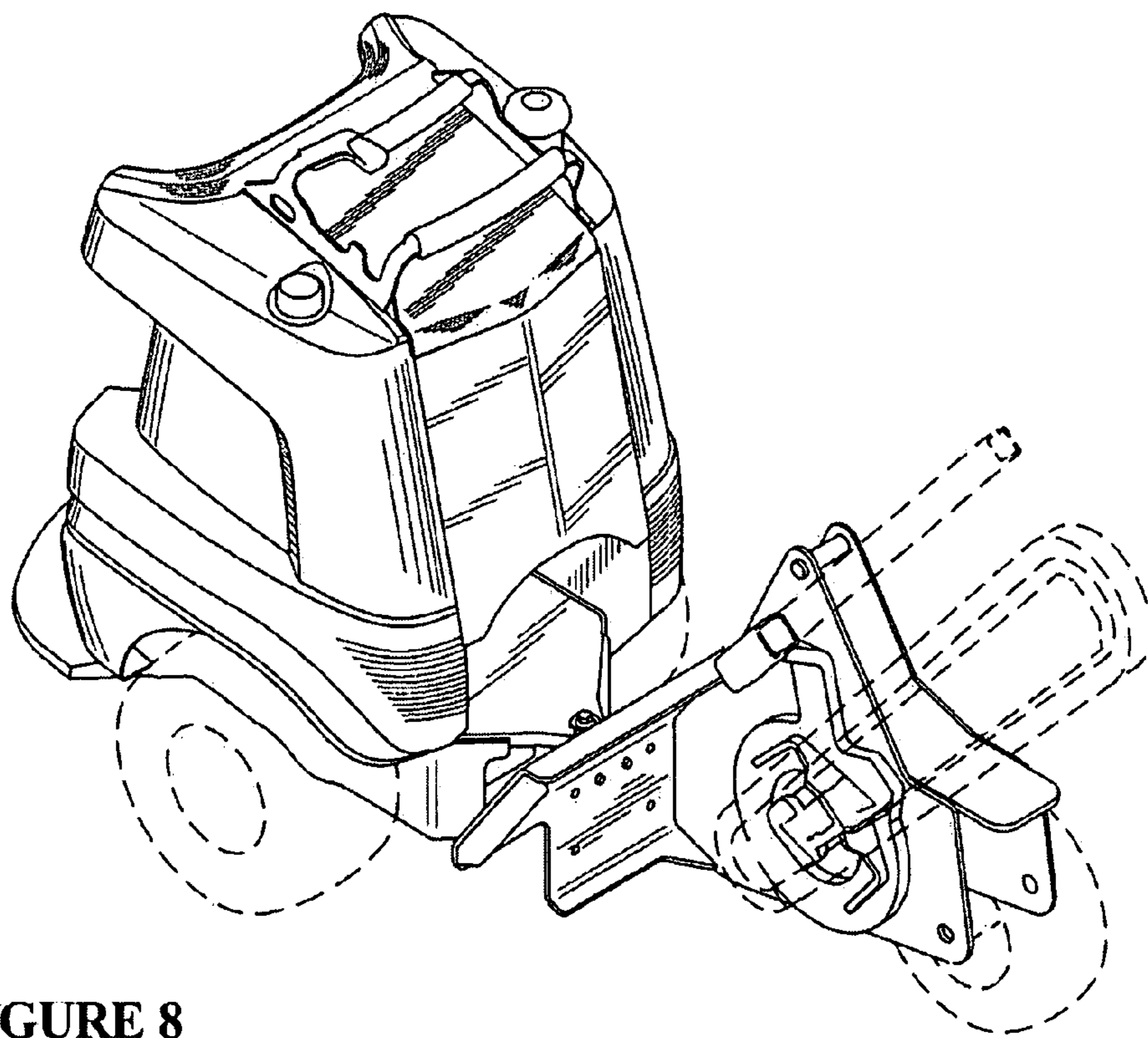


FIGURE 8