



US00D579463S

(12) **United States Design Patent**
Plunk et al.

(10) **Patent No.:** **US D579,463 S**
(45) **Date of Patent:** **** Oct. 28, 2008**

(54) **AIR COMPRESSOR SHROUD**

D535,309 S 1/2007 Breecham et al.
D557,710 S 12/2007 Sharp

(75) Inventors: **Tony Plunk**, Jackson, TN (US); **Tim Jackson**, Jackson, TN (US); **Thomas Hagans**, Jackson, TN (US)

* cited by examiner

(73) Assignee: **Midwest Air Technologies, Inc.**,
Lincolnshire, IL (US)

Primary Examiner—R. Seifert
(74) *Attorney, Agent, or Firm*—Greer, Burns & Crain, Ltd.

(**) Term: **14 Years**

(57) **CLAIM**

(21) Appl. No.: **29/292,441**

The ornamental design for an air compressor shroud, as shown and described.

(22) Filed: **Oct. 11, 2007**

DESCRIPTION

(51) **LOC (8) Cl.** **15-02**

This case is related to co-pending, commonly assigned U.S. Design Patent Application titled "Air Compressor Shroud", U.S. patent application Ser. No. 29/292,440, filed on even date.

(52) **U.S. Cl.** **D15/9**

(58) **Field of Classification Search** D15/7-9;
D23/231, 232; 417/410.1, 359, 415-416,
417/234, 321, 265, 405

FIG. 1 is an elevated perspective view of the present air compressor shroud;

See application file for complete search history.

FIG. 2 is a front view thereof;

(56) **References Cited**

U.S. PATENT DOCUMENTS

D451,929 S	*	12/2001	Mencio	D15/9
D484,514 S	*	12/2003	Hsiao	D15/9
D497,917 S	*	11/2004	Harper et al.	D15/9
D500,769 S	*	1/2005	Montgomery	D15/7
D507,279 S	*	7/2005	Harper et al.	D15/9
D529,047 S		9/2006	Sharp		
D529,048 S		9/2006	Sharp		
D534,549 S		1/2007	Beecham et al.		
D534,550 S		1/2007	Beecham		
D534,926 S		1/2007	Beecham		

FIG. 3 is a right side view thereof;

FIG. 4 is a rear view thereof;

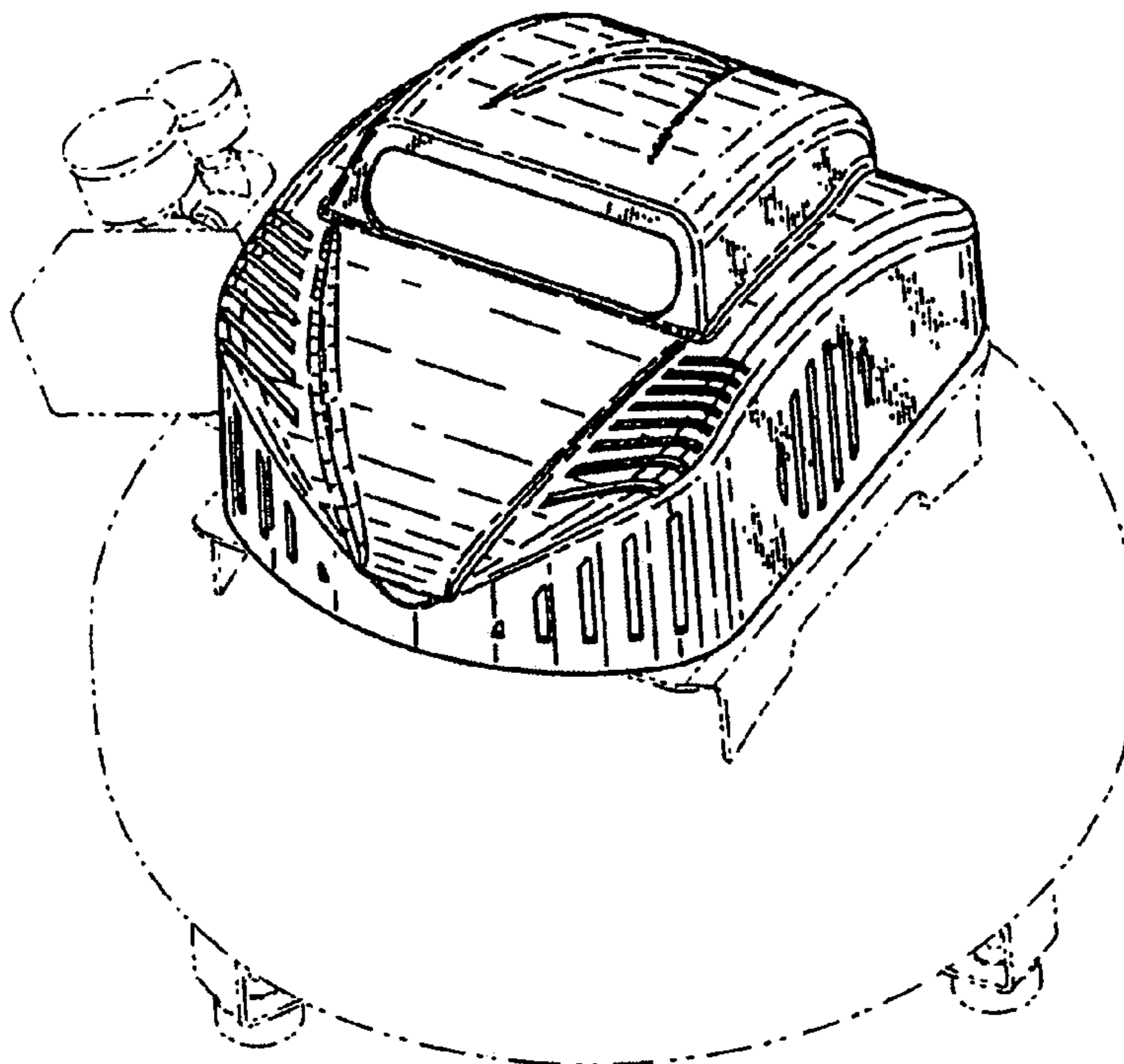
FIG. 5 is a left side view thereof;

FIG. 6 is a top view thereof; and,

FIG. 7 is a bottom view thereof.

The broken line showing of FIGS. 1-7 is for illustrative purposes only and forms no part of the claimed design or a specified embodiment thereof.

1 Claim, 4 Drawing Sheets



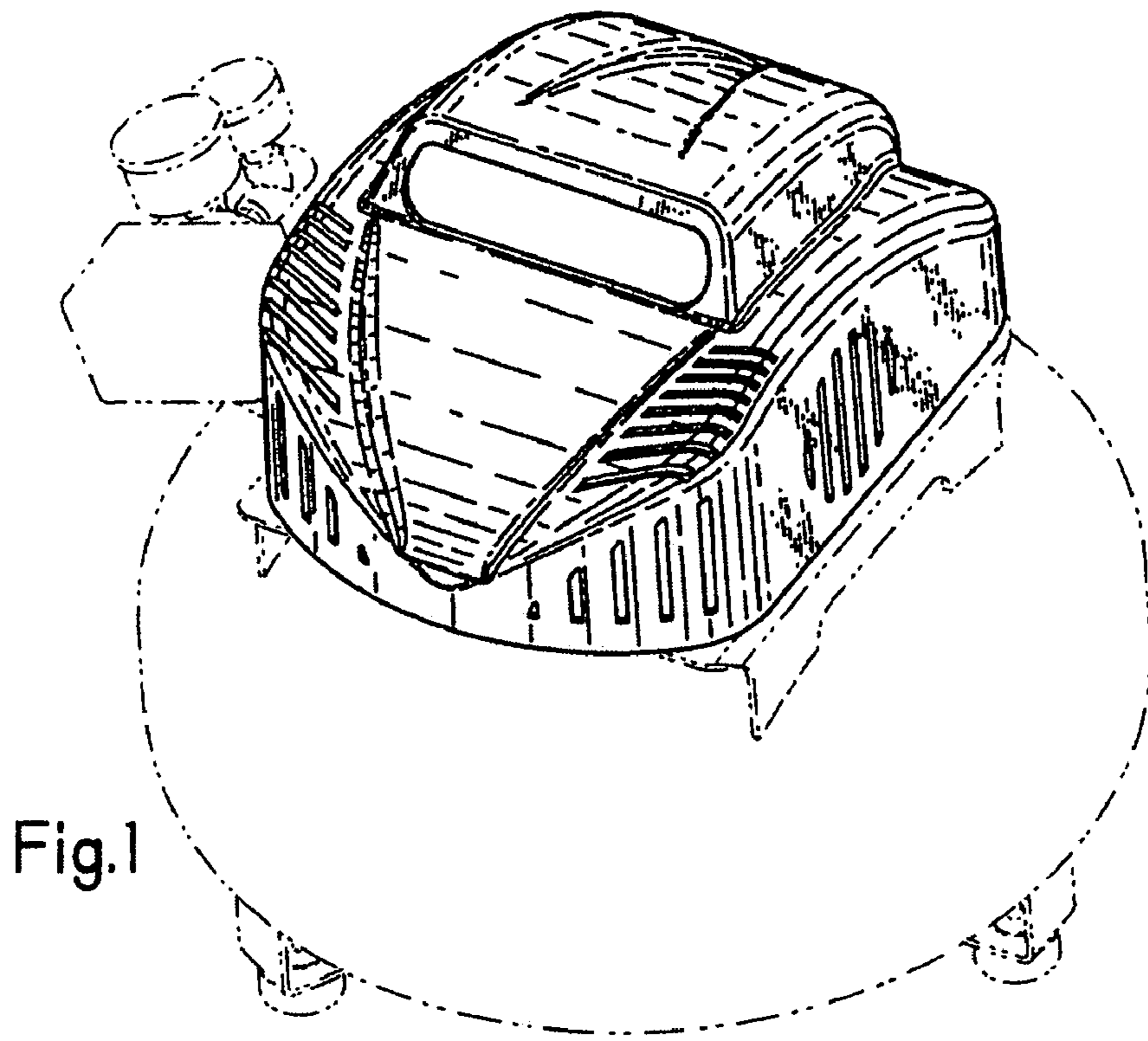


Fig. 1

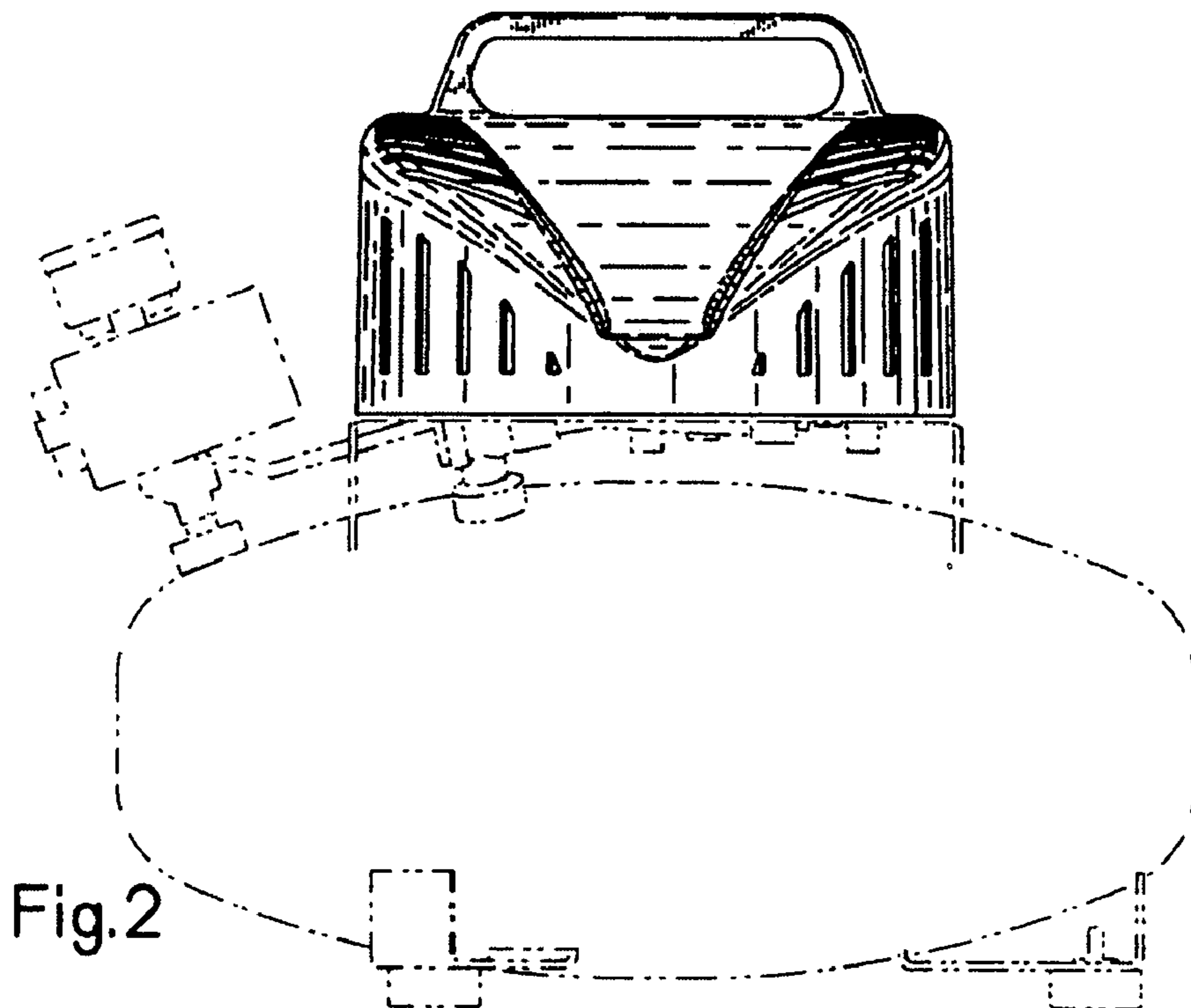
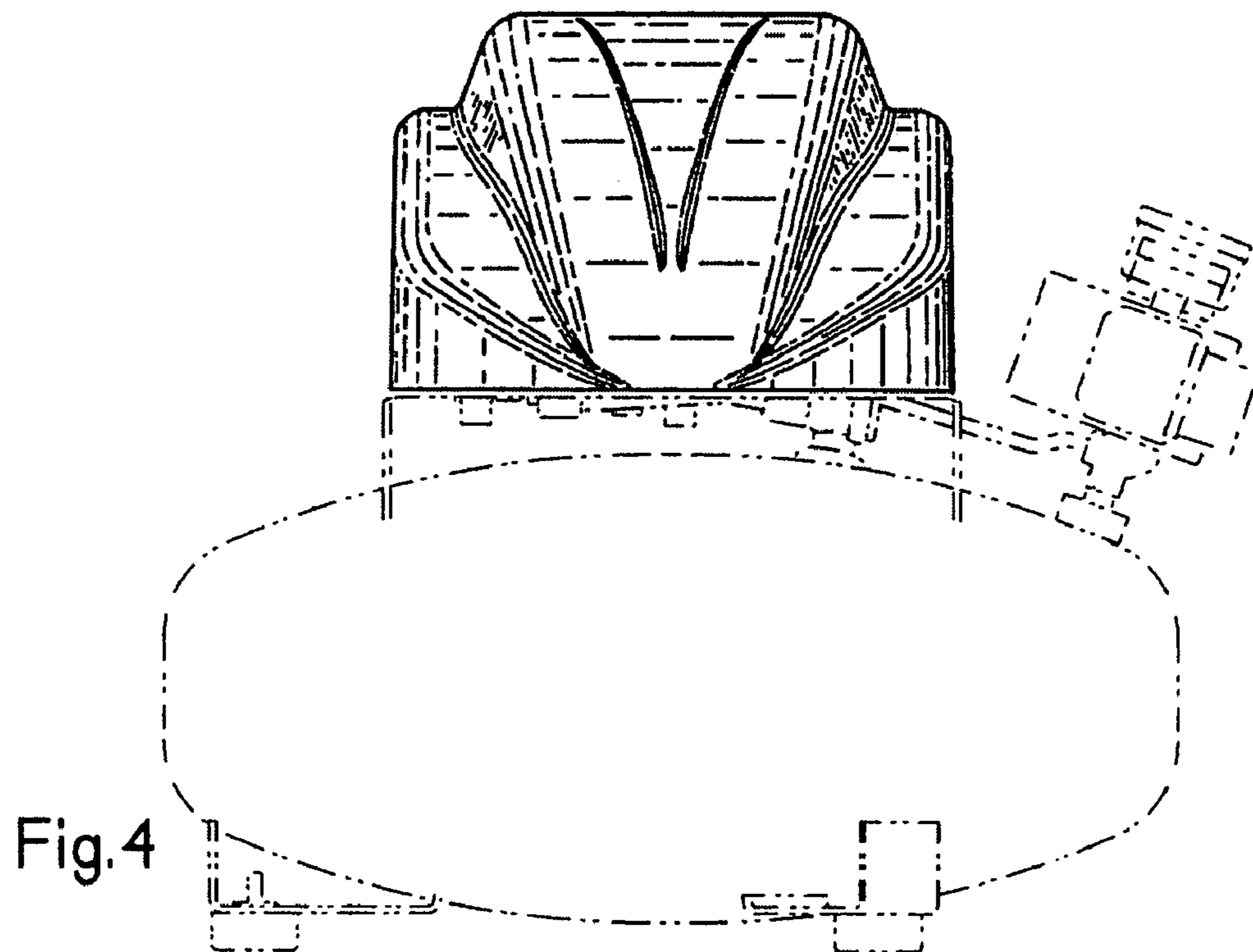
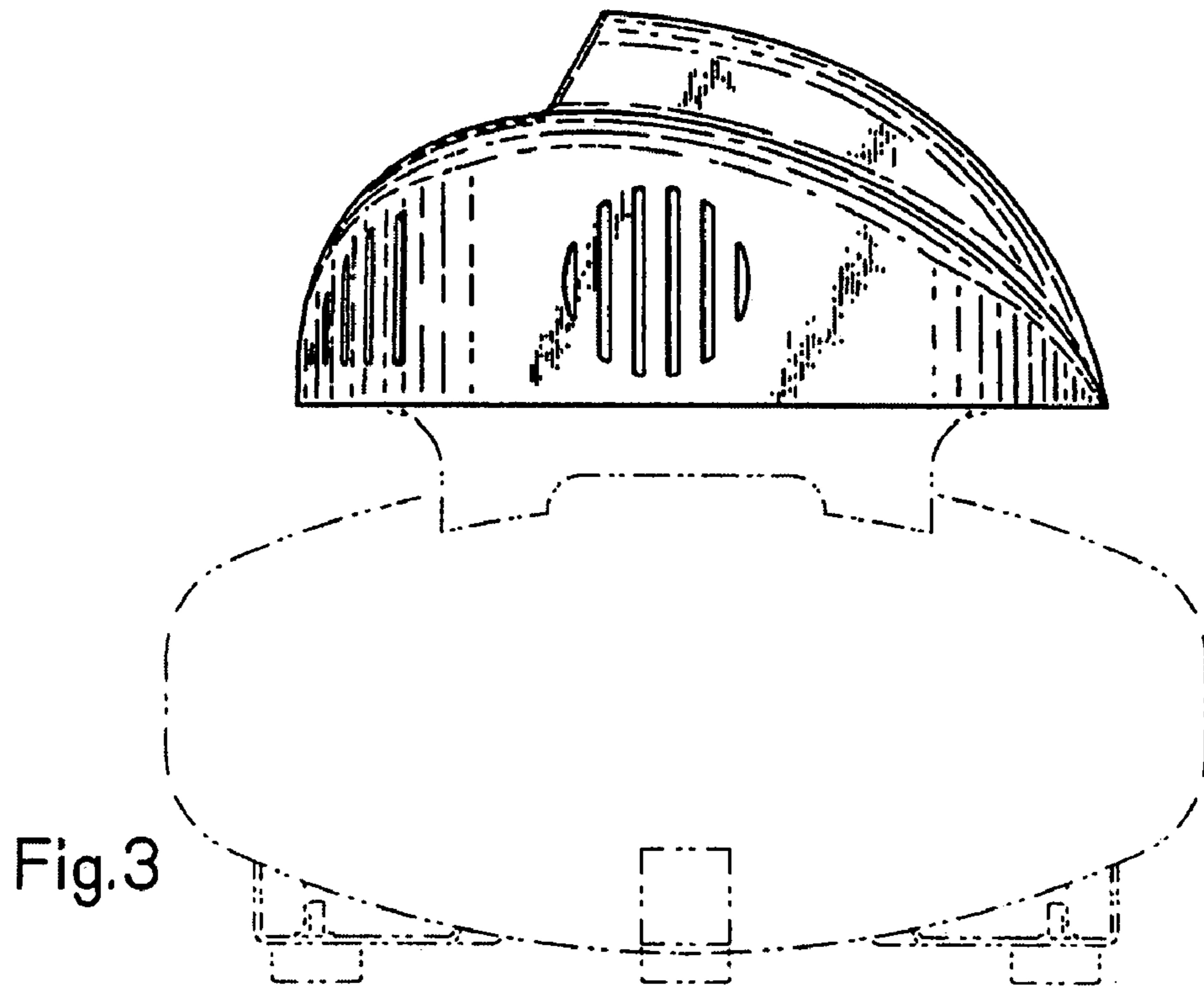


Fig. 2



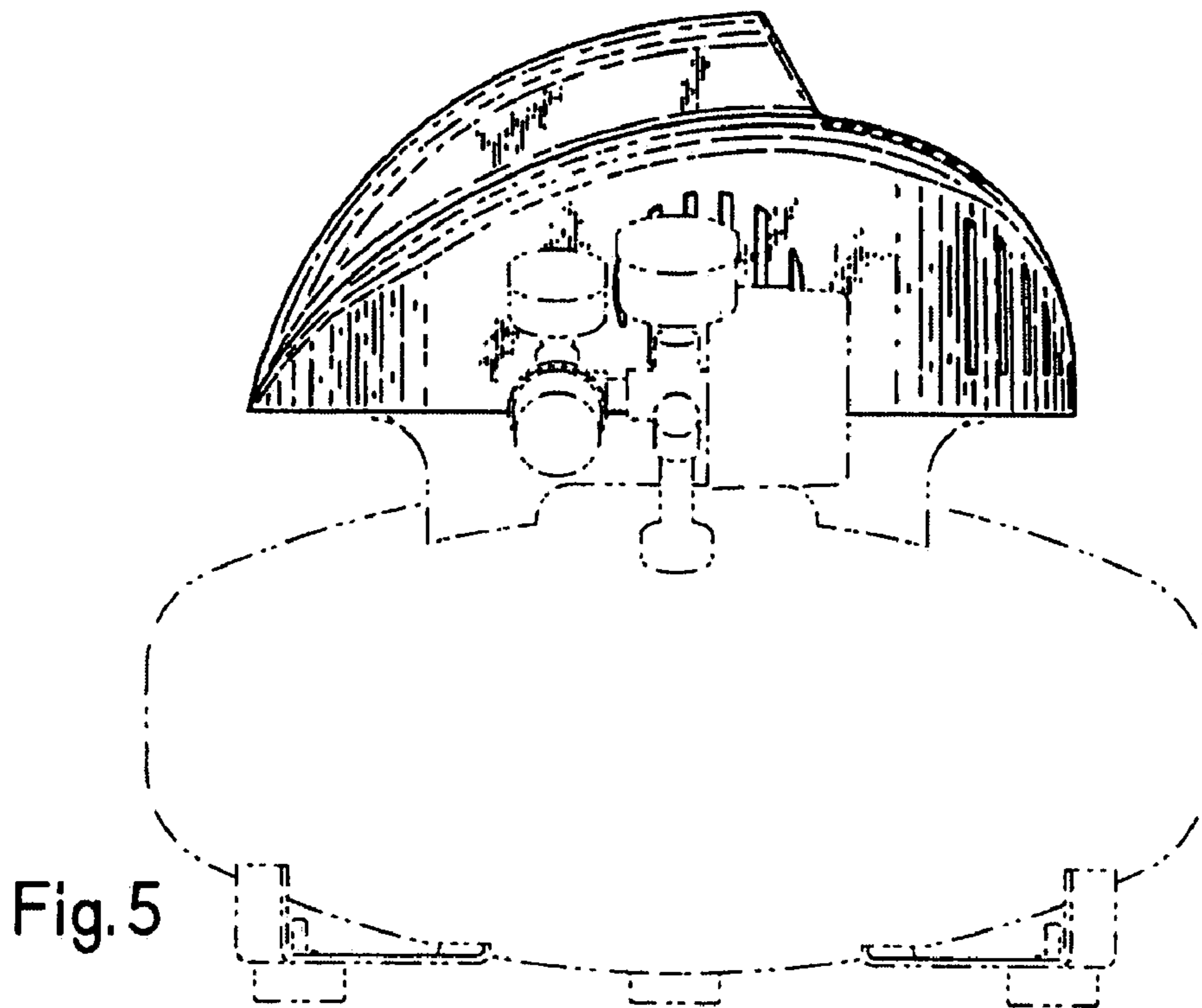


Fig. 5

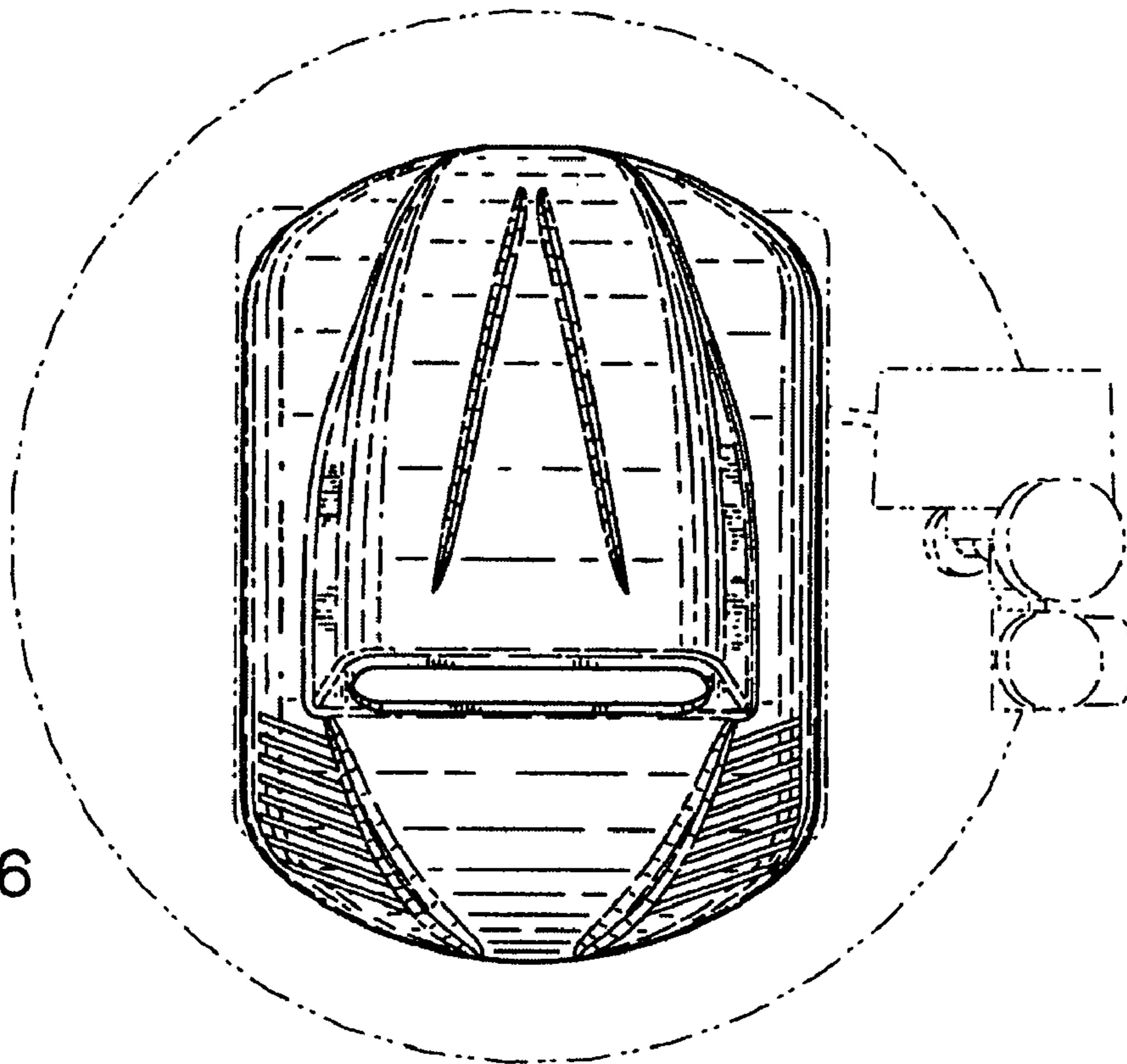


Fig. 6

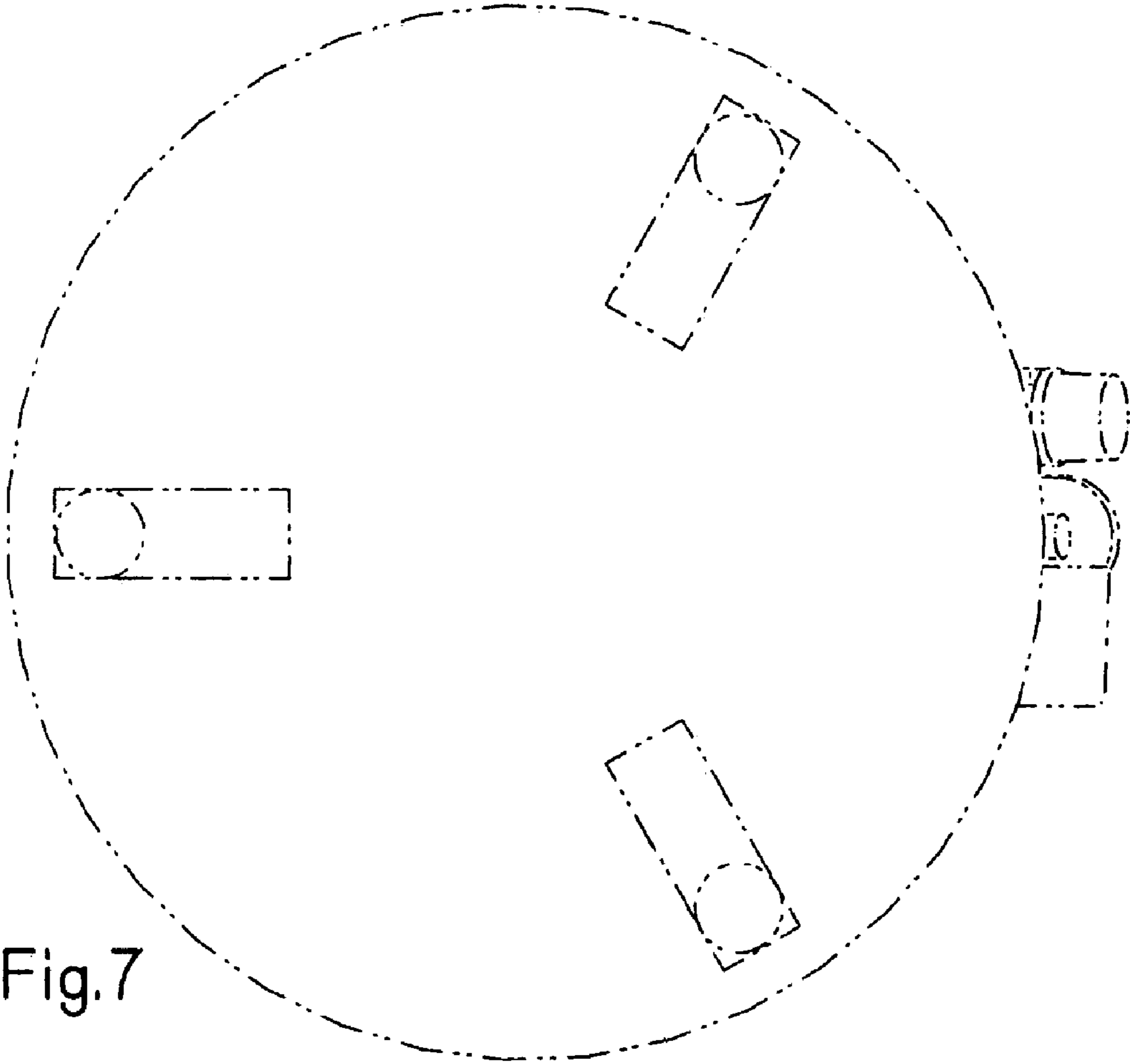


Fig.7