



US00D579452S

(12) **United States Design Patent**  
**Chen et al.**

(10) **Patent No.:** **US D579,452 S**

(45) **Date of Patent:** **\*\* Oct. 28, 2008**

(54) **COMPUTER FRONT BEZEL**

D535,656 S \* 1/2007 Chen et al. .... D14/444  
7,265,971 B2 \* 9/2007 Chen et al. .... 361/683

(75) Inventors: **Yun-Lung Chen**, Taipei Hsien (TW);  
**Jen-Chien Chiang**, Taipei Hsien (TW);  
**Wan-Cheng Lin**, Taipei Hsien (TW);  
**Hong-Jin Wu**, Shenzhen (CN);  
**Song-Tao Xie**, Shenzhen (CN)

\* cited by examiner

*Primary Examiner*—Freda S Nunn

(74) *Attorney, Agent, or Firm*—Frank R. Niranjan

(73) Assignee: **Hon Hai Precision Industry Co., Ltd.**,  
Tu-Cheng, Taipei Hsien (TW)

(57) **CLAIM**

The ornamental design for a computer front bezel, as shown and described.

(\*\*) Term: **14 Years**

(21) Appl. No.: **29/299,603**

(22) Filed: **Dec. 29, 2007**

(51) **LOC (8) Cl.** ..... **14-02**

(52) **U.S. Cl.** ..... **D14/444**

(58) **Field of Classification Search** ..... D14/441–446;  
D13/162, 184, 199; 312/223.2, 326; 361/680–686,  
361/690–696, 727

See application file for complete search history.

**DESCRIPTION**

FIG. 1 is a perspective view of the design for the computer front bezel wherein broken lines illustrate environmental features;

FIG. 2 is a front elevational view thereof;

FIG. 3 is a left side elevational view thereof;

FIG. 4 is a right side elevational view thereof;

FIG. 5 is a top plan view thereof;

FIG. 6 is a bottom plan view thereof; and,

FIG. 7 is a perspective view thereof being mounted to a computer case which is shown in broken lines for illustrative purposes only and forms no part of the claimed design.

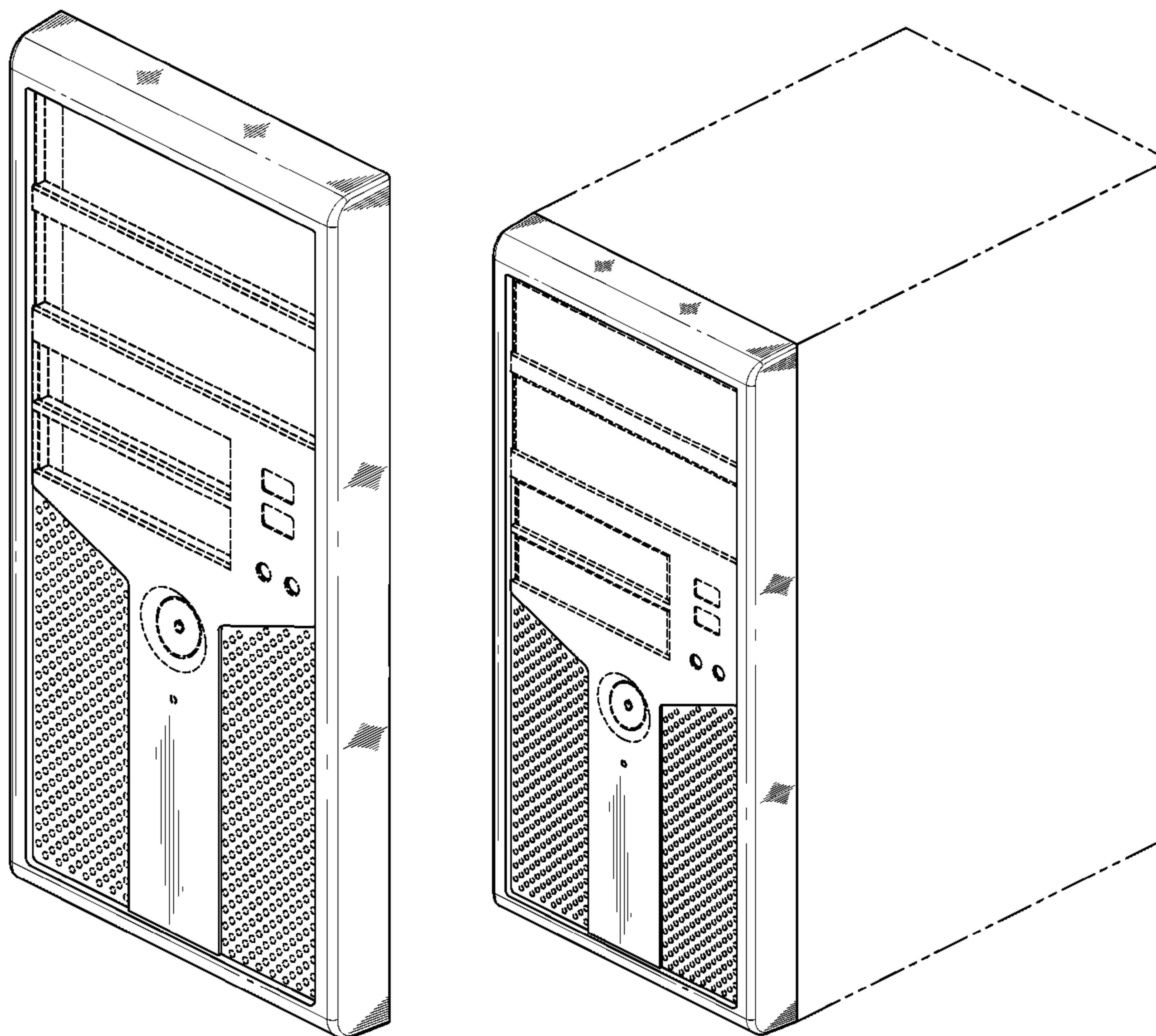
The broken line showing of computer front bezel is for the purpose of illustrating environmental structures and forms no part of the claimed design.

(56) **References Cited**

**U.S. PATENT DOCUMENTS**

D411,191 S *	6/1999	Liu et al. ....	D14/445
6,478,392 B2 *	11/2002	Gan et al. ....	312/326
6,798,664 B2 *	9/2004	Lin et al. ....	361/727
D517,078 S *	3/2006	Yu et al. ....	D14/444
D517,081 S *	3/2006	Zhou et al. ....	D14/444

**1 Claim, 7 Drawing Sheets**



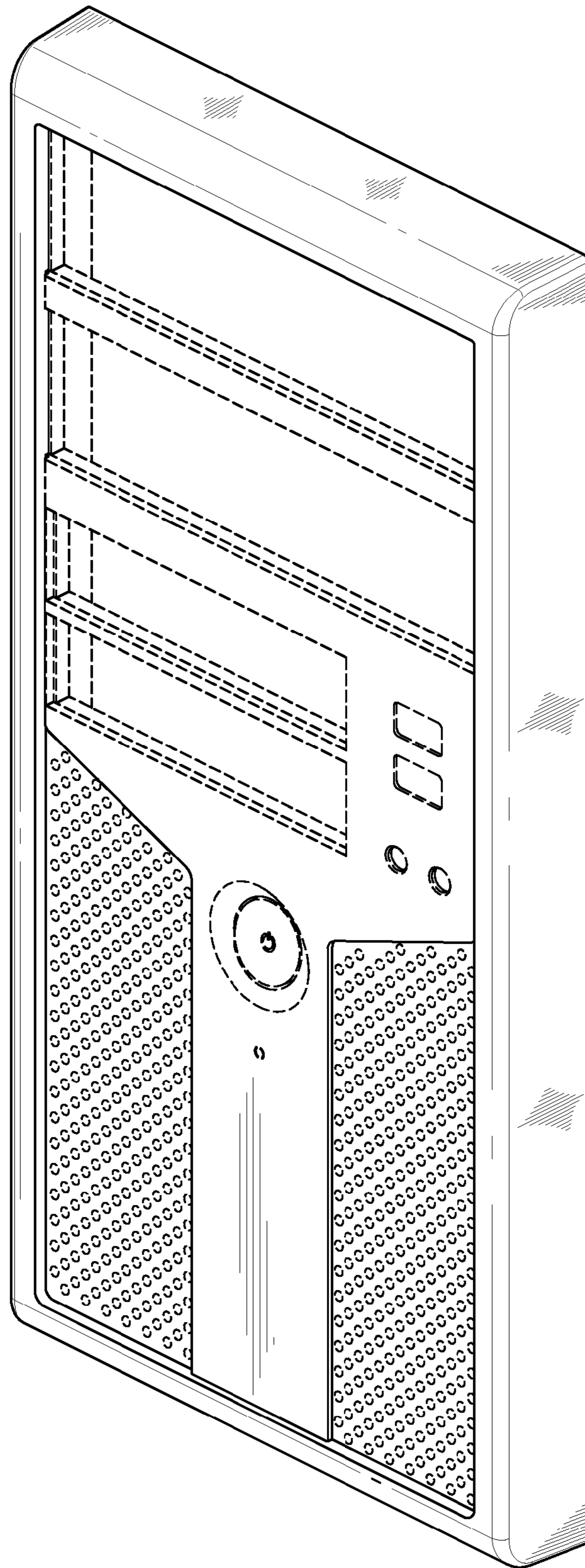


FIG. 1

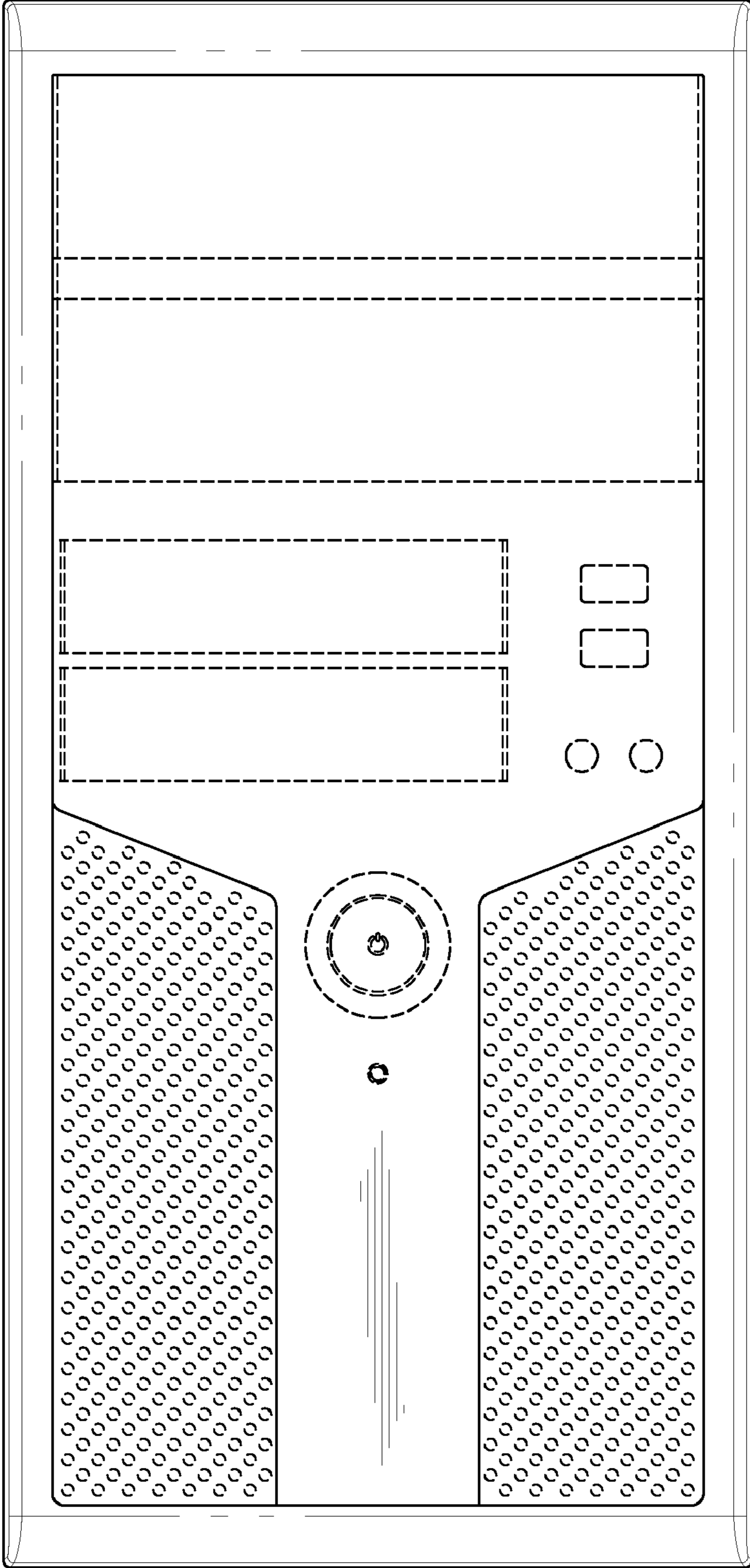


FIG. 2

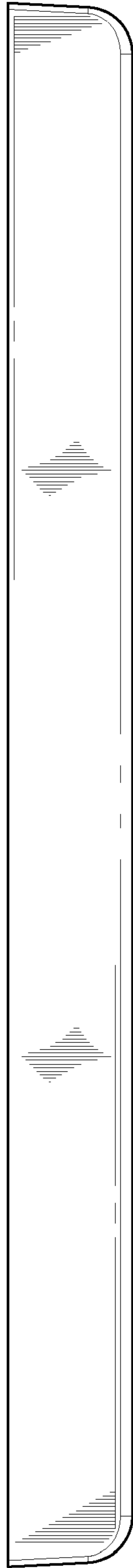


FIG. 3

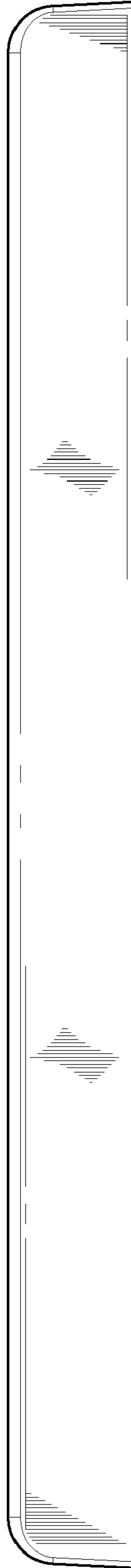


FIG. 4

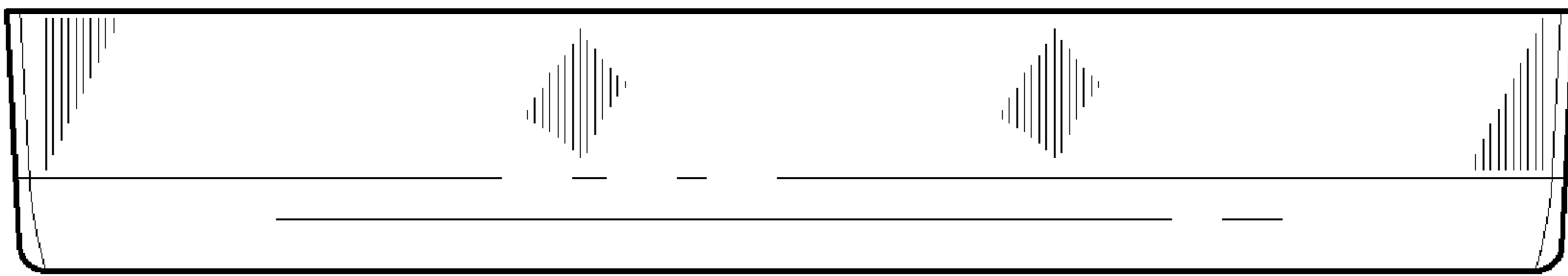


FIG. 5



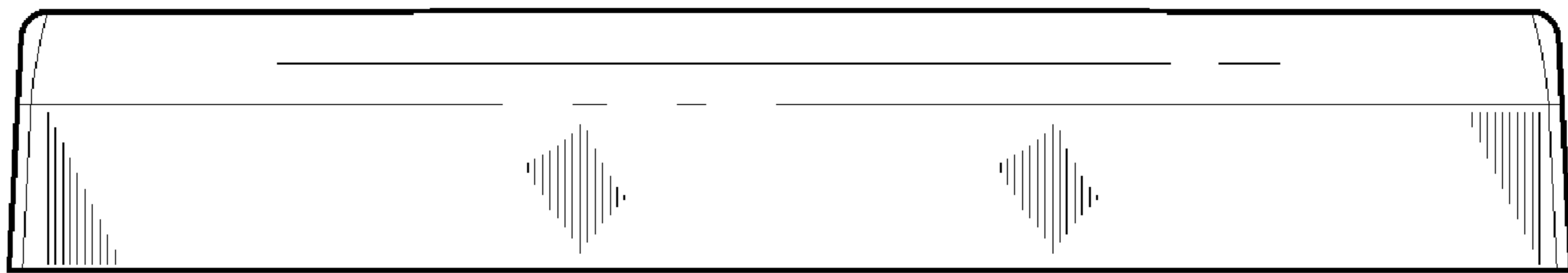


FIG. 6

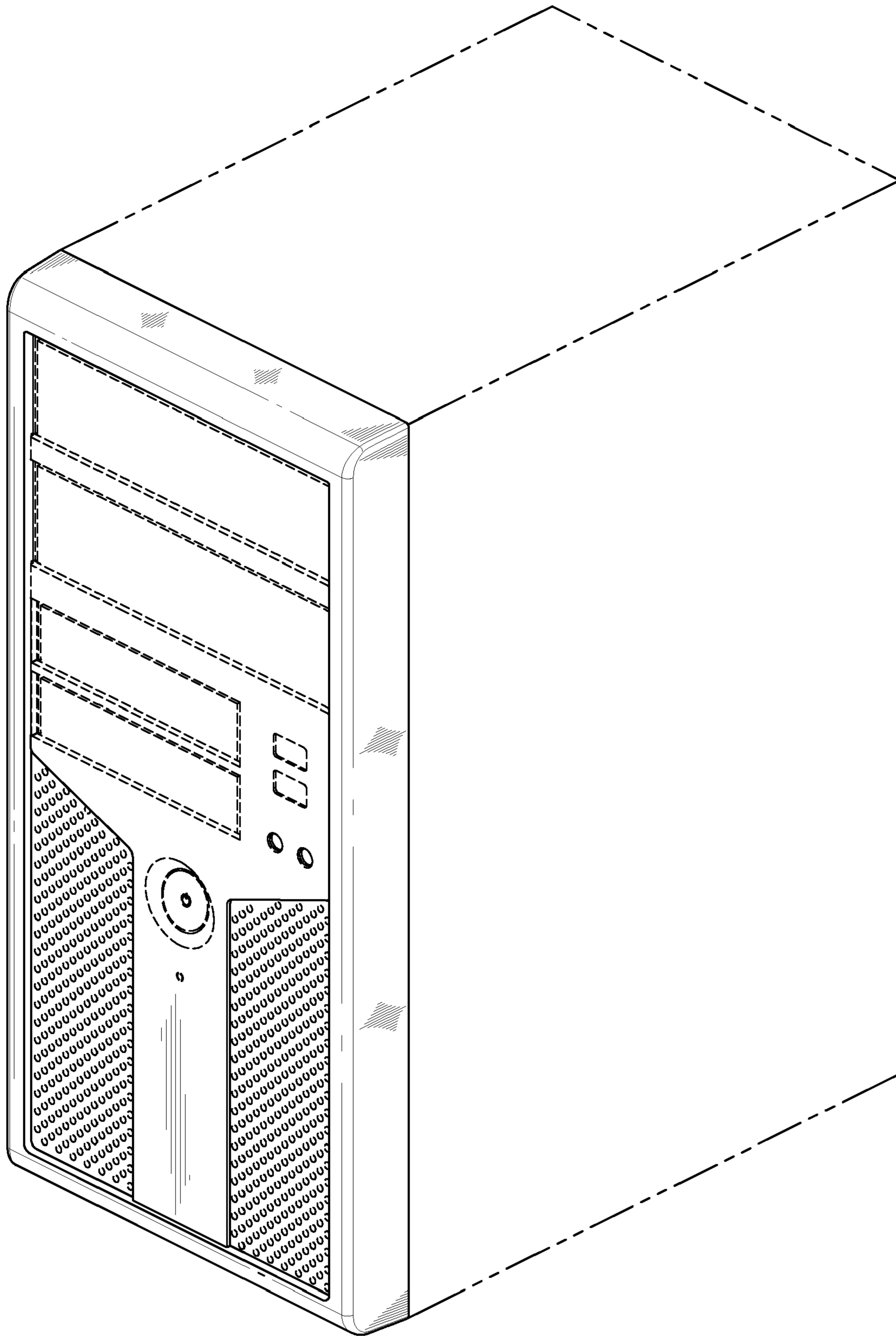


FIG. 7