



US00D579450S

(12) **United States Design Patent**
Ozolins et al.

(10) **Patent No.:** **US D579,450 S**
(45) **Date of Patent:** **** Oct. 28, 2008**

(54) **KEYBOARD**

DESCRIPTION

(75) Inventors: **Helmars Ozolins**, Orient, NY (US);
Masamichi Udagawa, New York, NY
(US); **Avram Kaufman**, New York, NY
(US)

(73) Assignee: **Bloomberg Finance L.P.**, New York,
NY (US)

(**) Term: **14 Years**

(21) Appl. No.: **29/276,203**

(22) Filed: **Jan. 18, 2007**

(51) **LOC (8) Cl.** **14-02**

(52) **U.S. Cl.** **D14/391**

(58) **Field of Classification Search** D14/391-399;
D18/1, 2, 7; 178/17 A, 17 C; 200/5 A, 5 R,
200/6 A, 6 R; 235/145 A, 145 R; 345/160,
345/168, 169, 173; 341/22, 23; 400/484-489,
400/492

See application file for complete search history.

(56) **References Cited**

U.S. PATENT DOCUMENTS

5,049,863 A *	9/1991	Oka	345/163
5,439,304 A *	8/1995	Phillips et al.	400/492
6,396,483 B1 *	5/2002	Hiller	345/173
D516,070 S *	2/2006	Ozolins et al.	D14/391
7,046,234 B2 *	5/2006	Ozolins	345/168
D528,117 S *	9/2006	Shimizu	D14/391

* cited by examiner

Primary Examiner—Freda S Nunn

(74) *Attorney, Agent, or Firm*—Frank J DeRosa; Frommer
Lawrence & Haug LLP

(57) **CLAIM**

The ornamental design for a keyboard, as shown and
described.

FIG. 1 is a front perspective view of an embodiment of a
keyboard according to a first embodiment of our new design;
FIG. 2 is a rear perspective view thereof;

FIG. 3 is a front elevation view thereof;

FIG. 4 is a top plan view thereof;

FIG. 5 is a left side elevation view thereof;

FIG. 6 is a right side elevation view thereof;

FIG. 7 is a rear elevation view thereof;

FIG. 8 is a rear elevation view of a second embodiment of our
design, the front perspective, front elevation, top plan, left
side and right side views being as shown in FIGS. 1, 3-6,
respectively;

FIG. 9 is a rear perspective view thereof;

FIG. 10 is a front perspective view of a third embodiment of
our design, the left side, right side, and rear elevation views
being as shown in FIGS. 5-7, respectively;

FIG. 11 is a front elevation view thereof;

FIG. 12 is a top plan view thereof;

FIG. 13 is a front perspective view of a fourth embodiment of
our design, the left side, right side, and rear elevation views
being as shown in FIGS. 5-7, respectively;

FIG. 14 is a front elevation view thereof;

FIG. 15 is a top plan view thereof;

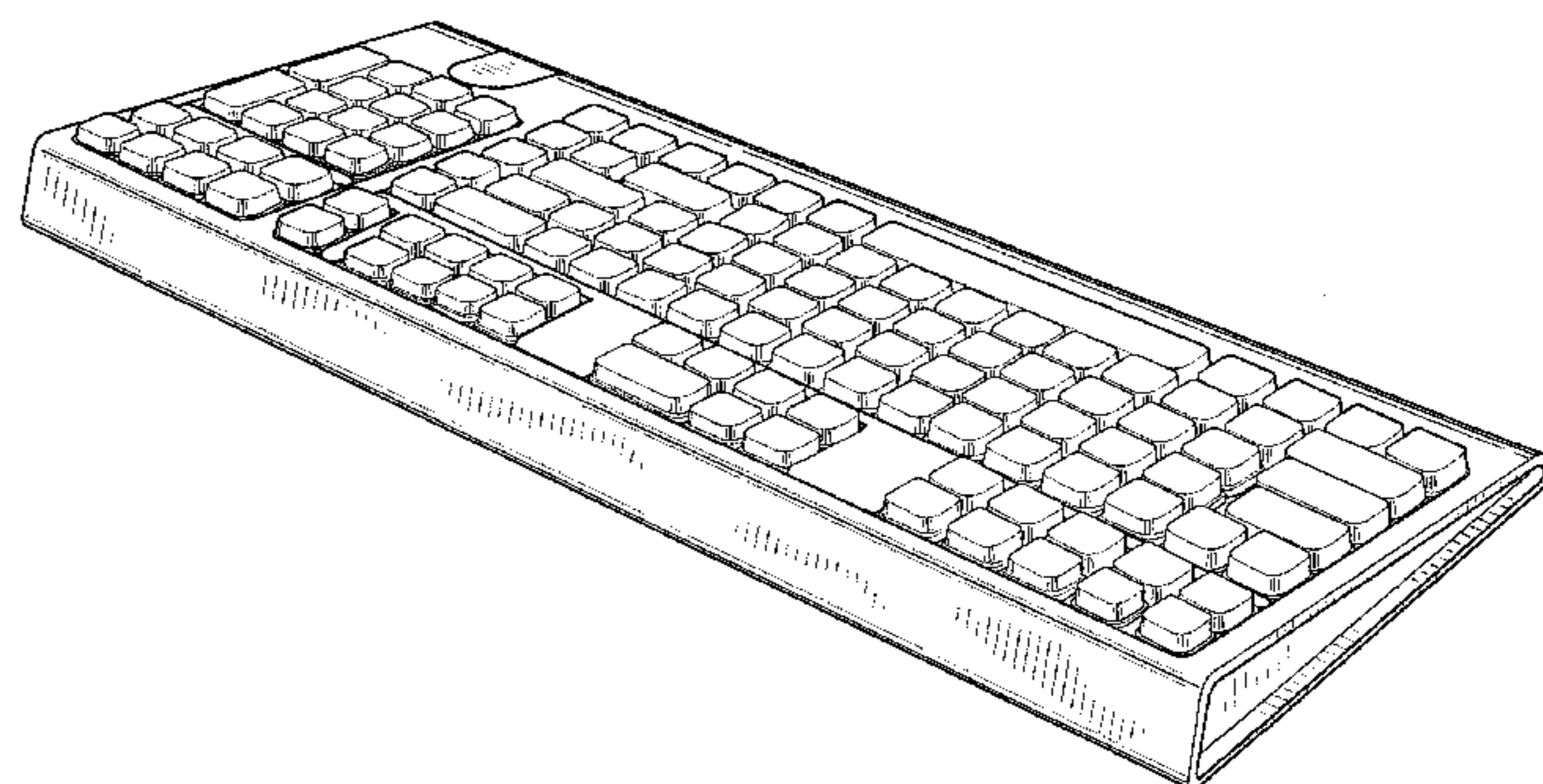
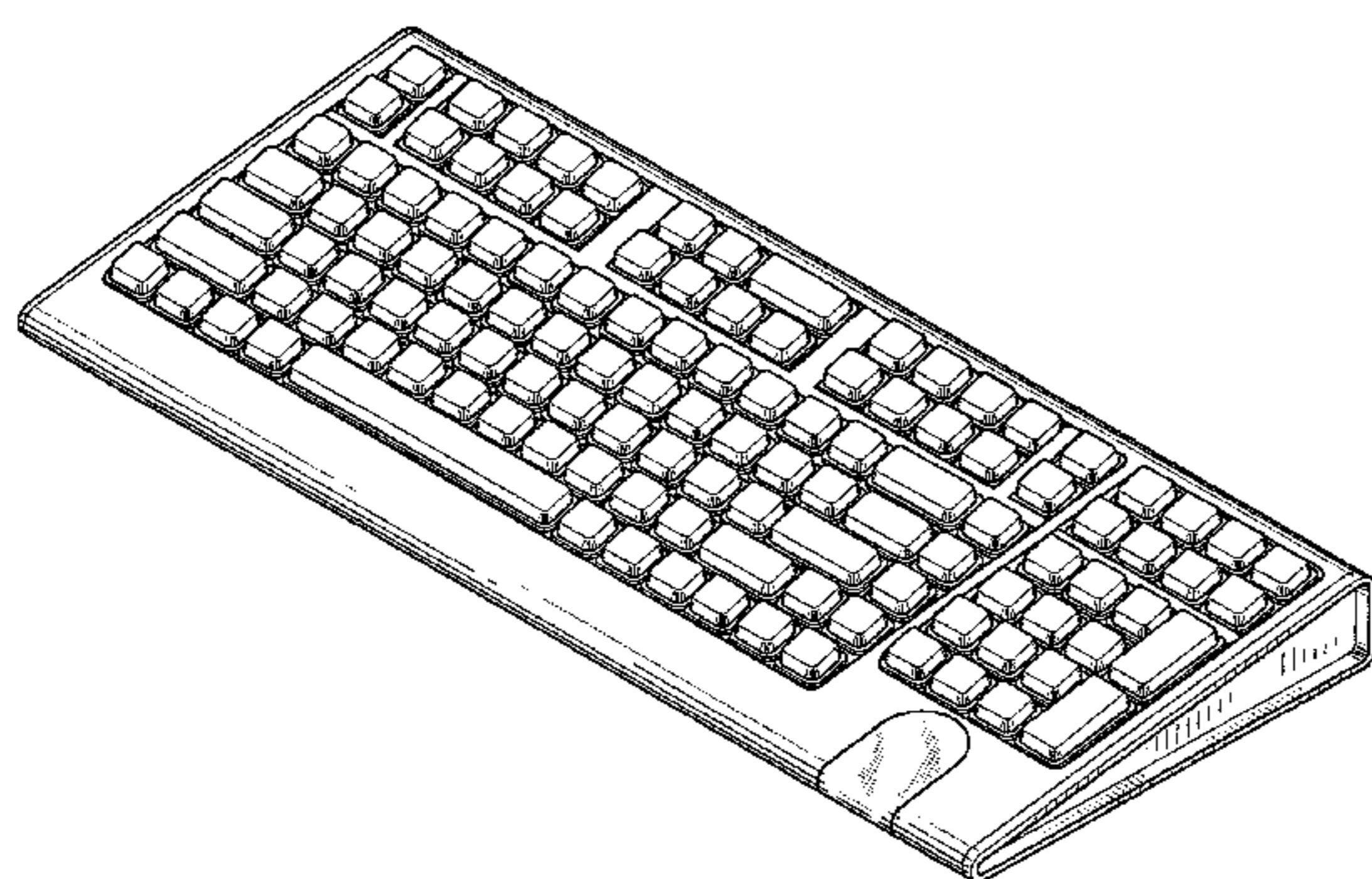
FIG. 16 is a front perspective view of a fifth embodiment of
our design, the left side, right side, and rear elevation views
being as shown in FIGS. 5-7, respectively;

FIG. 17 is a front elevation view thereof; and,

FIG. 18 is a top plan view thereof.

The design as embodied in the first through fifth embodi-
ments has a flat bottom that is unornamented and a view
thereof is omitted from the specification.

1 Claim, 11 Drawing Sheets



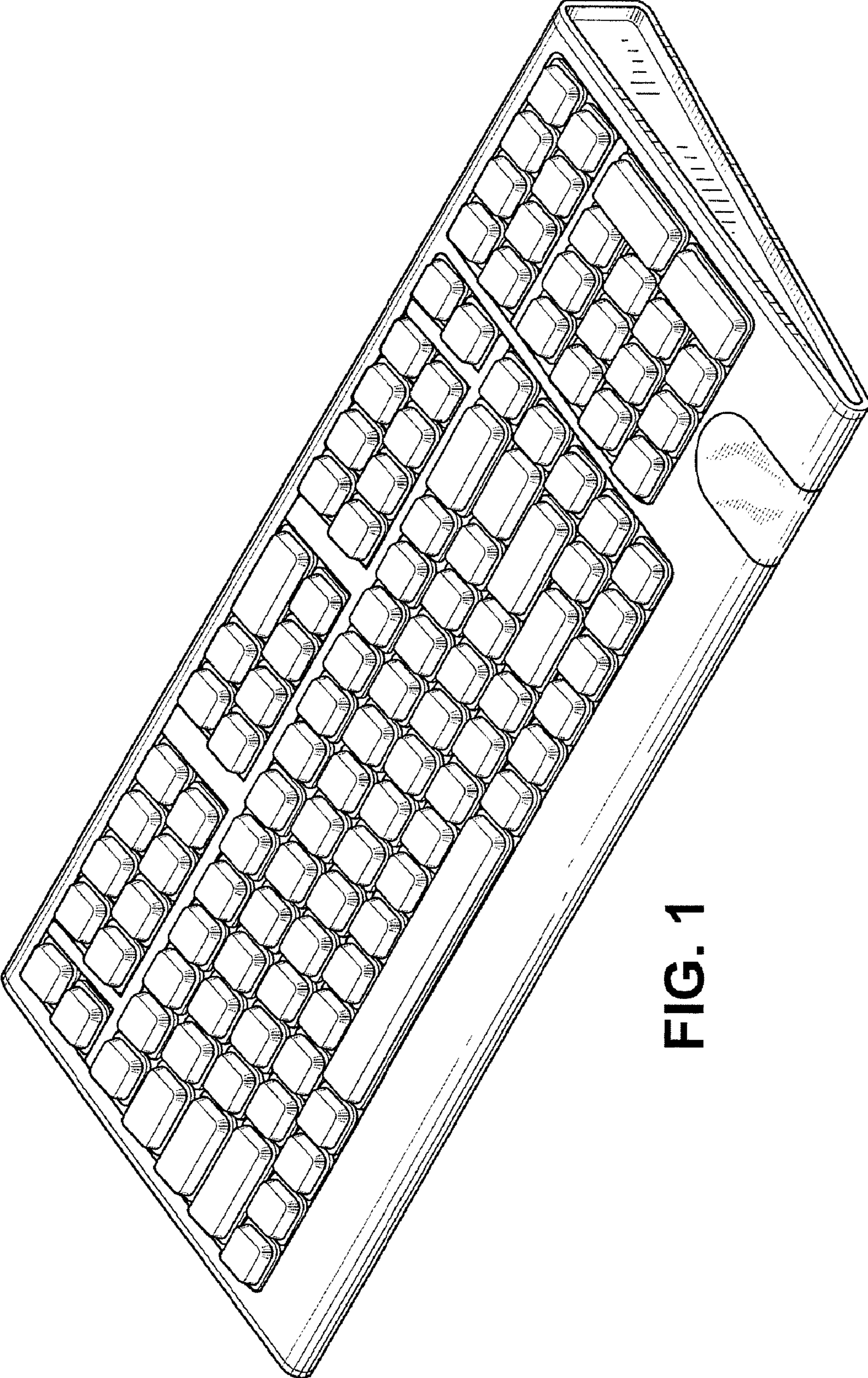
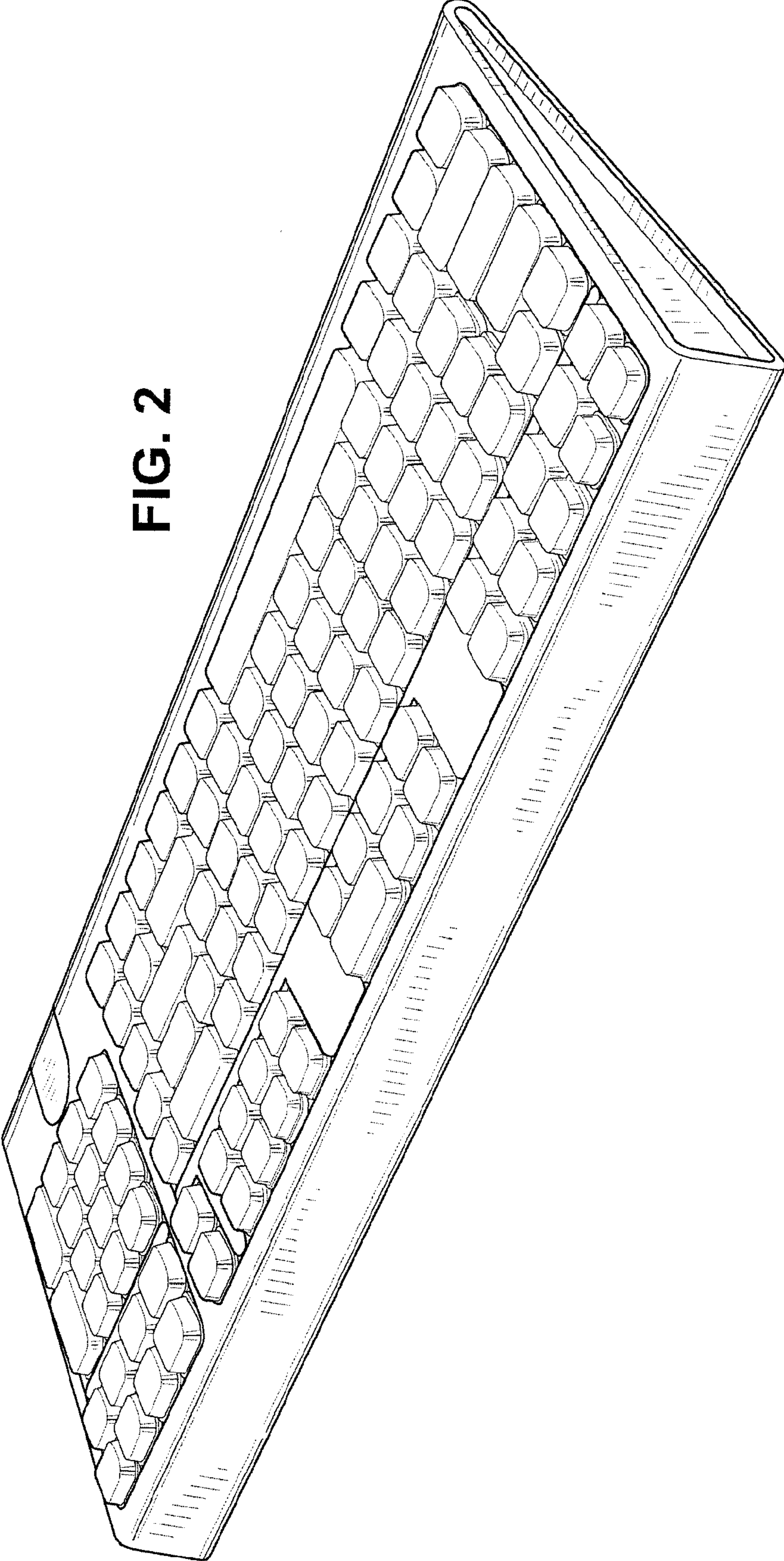


FIG. 1

FIG. 2



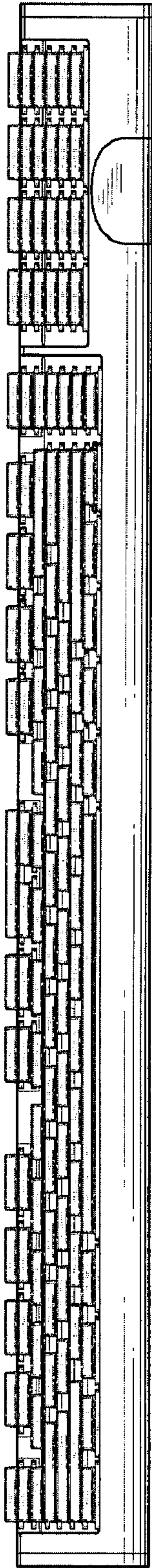


FIG. 3

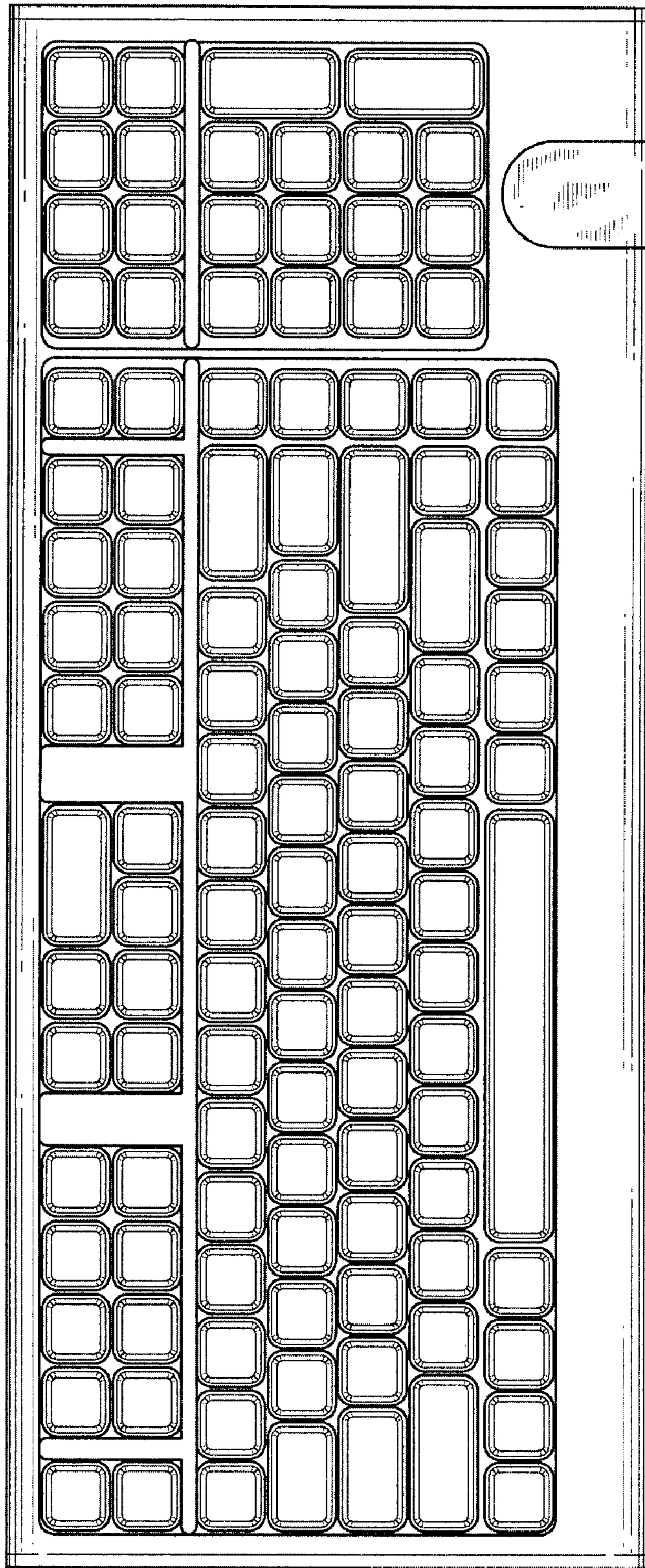


FIG. 4

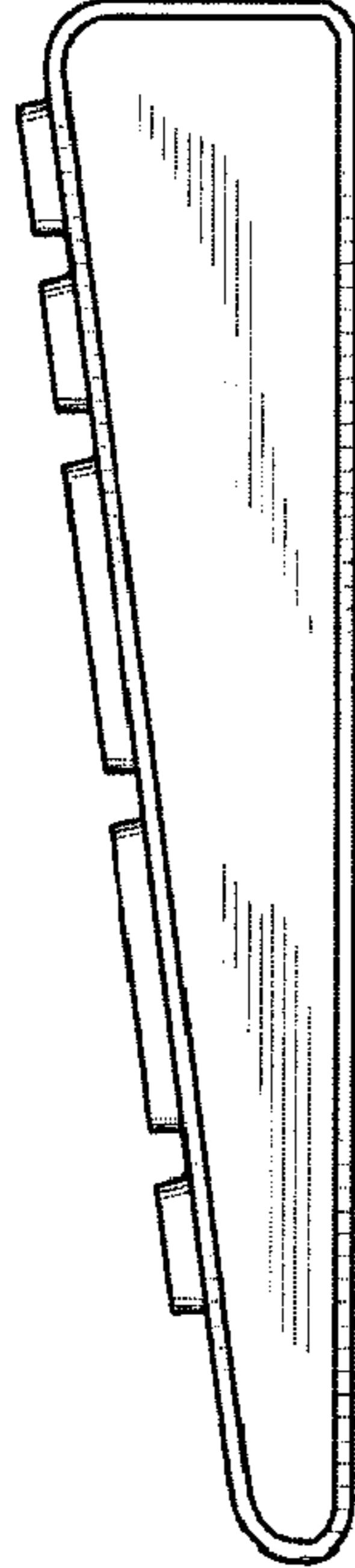


FIG. 5

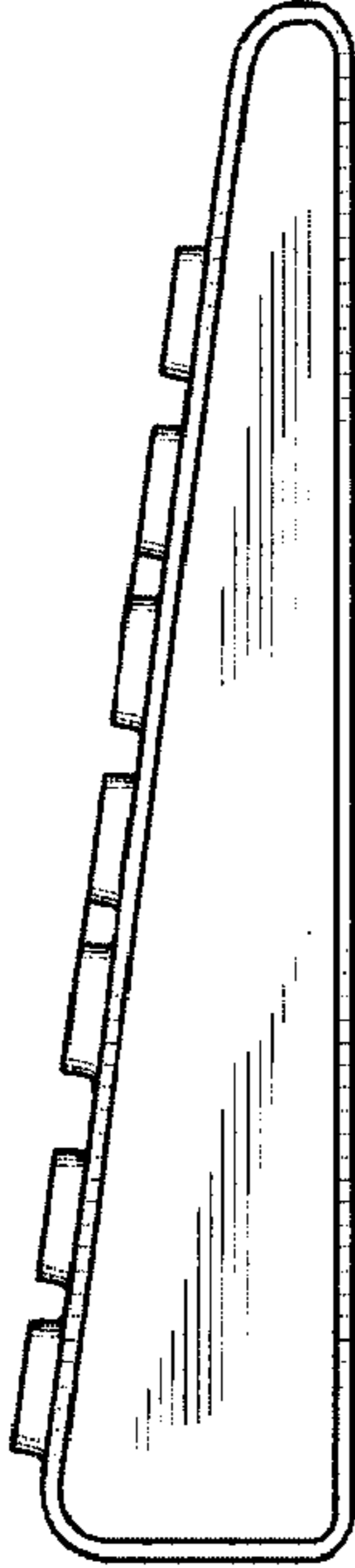


FIG. 6

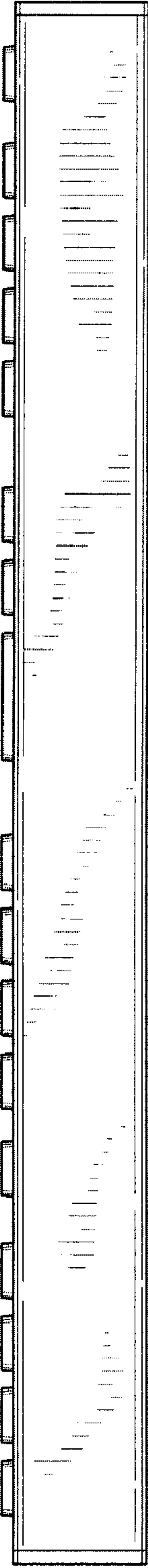


FIG. 7

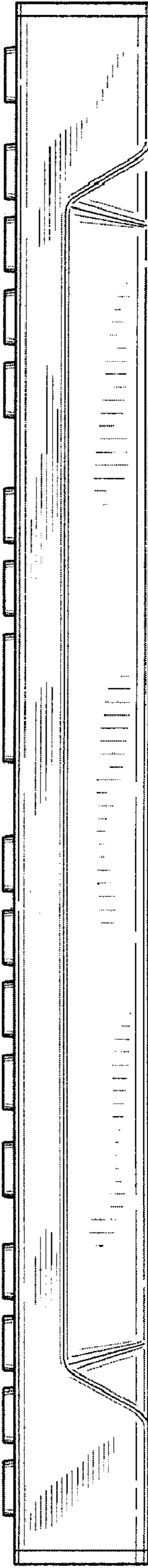


FIG. 8

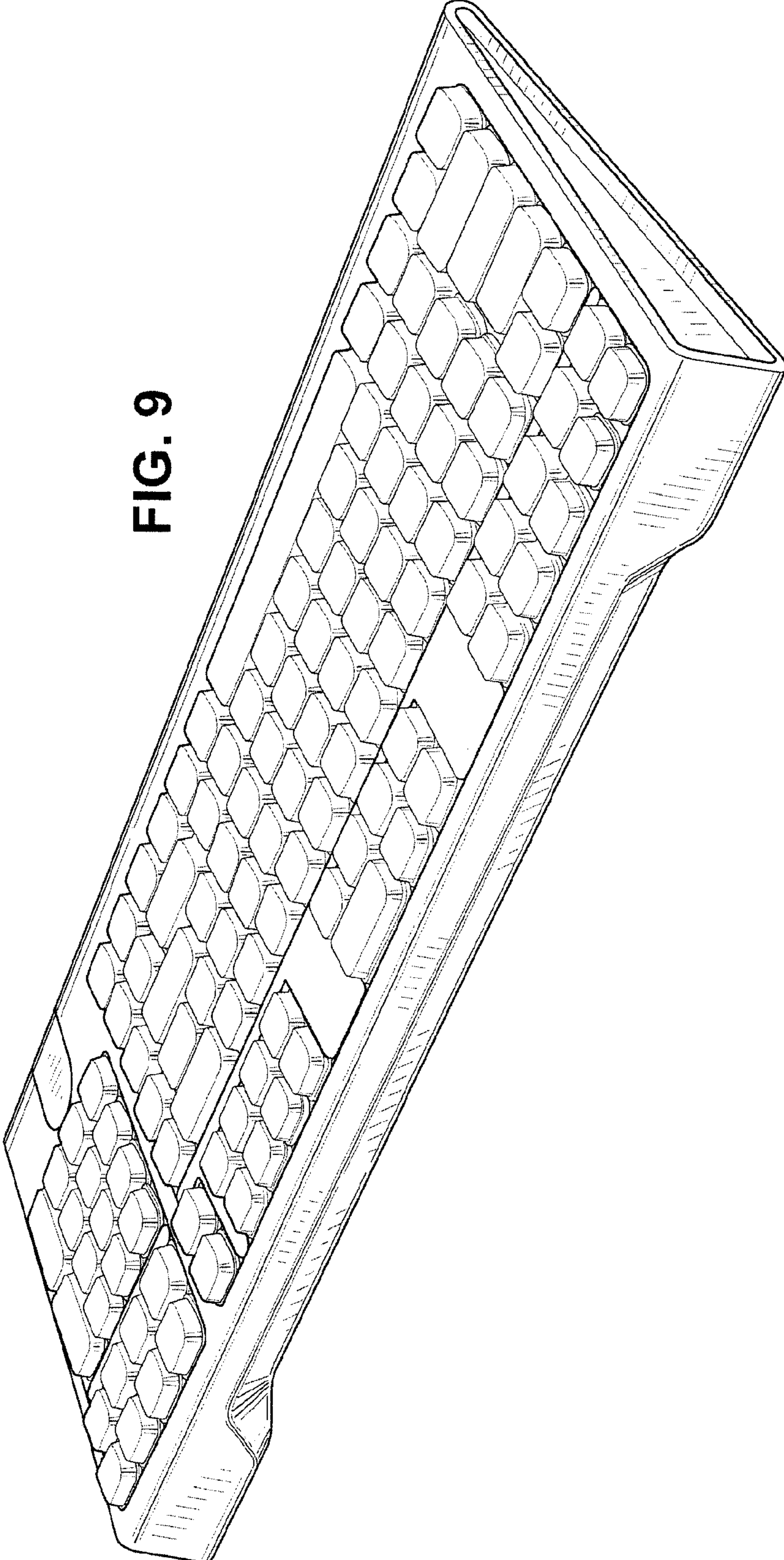


FIG. 9

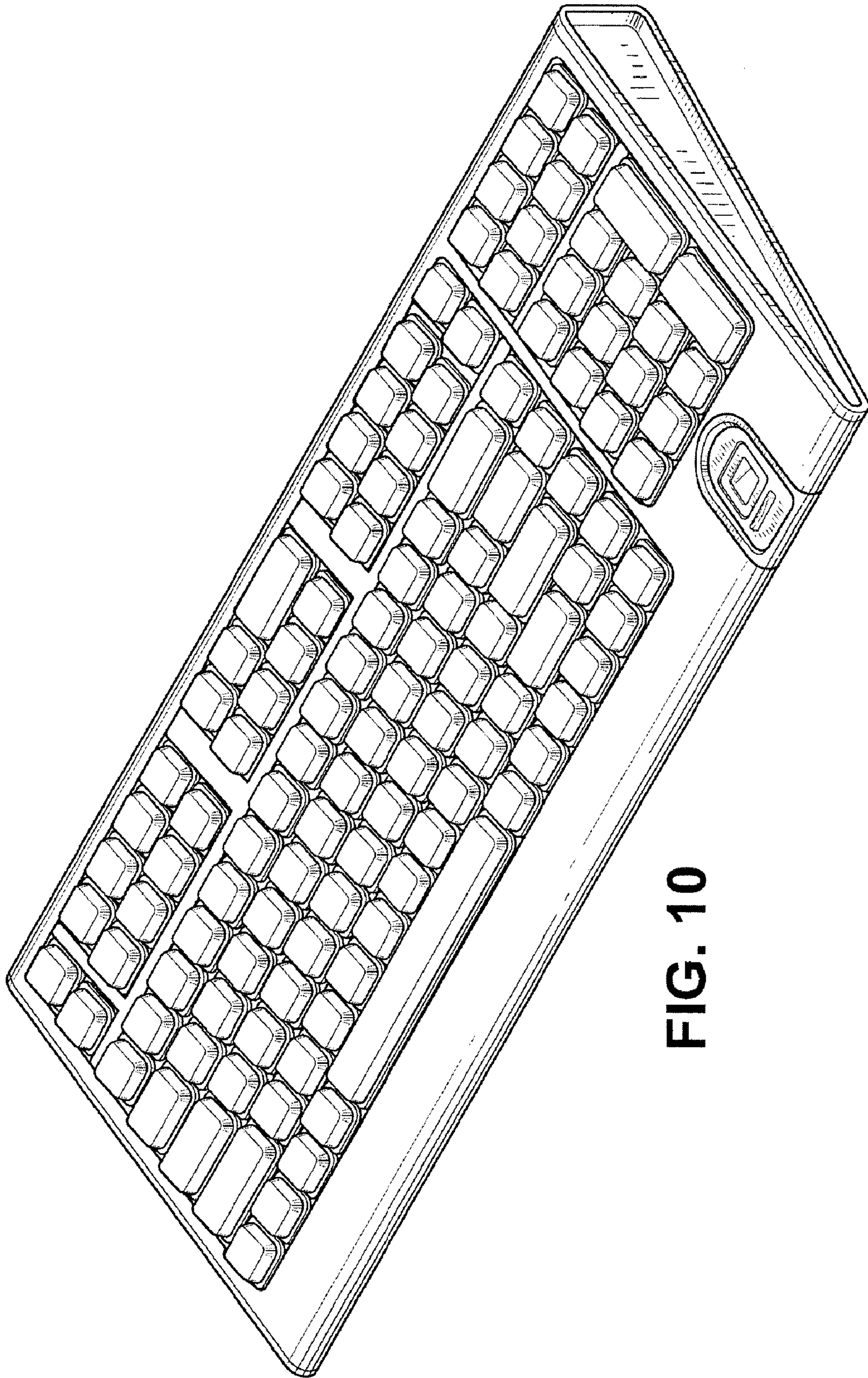


FIG. 10

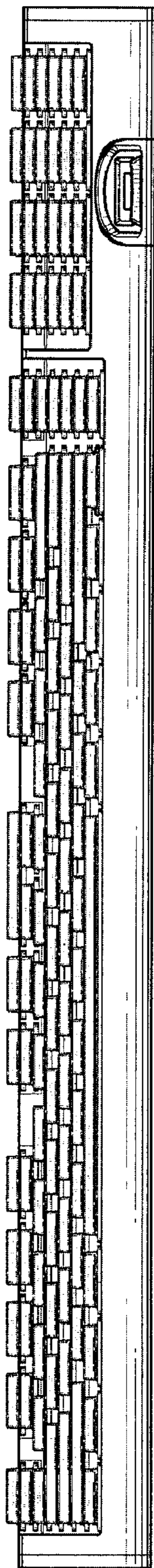


FIG. 11

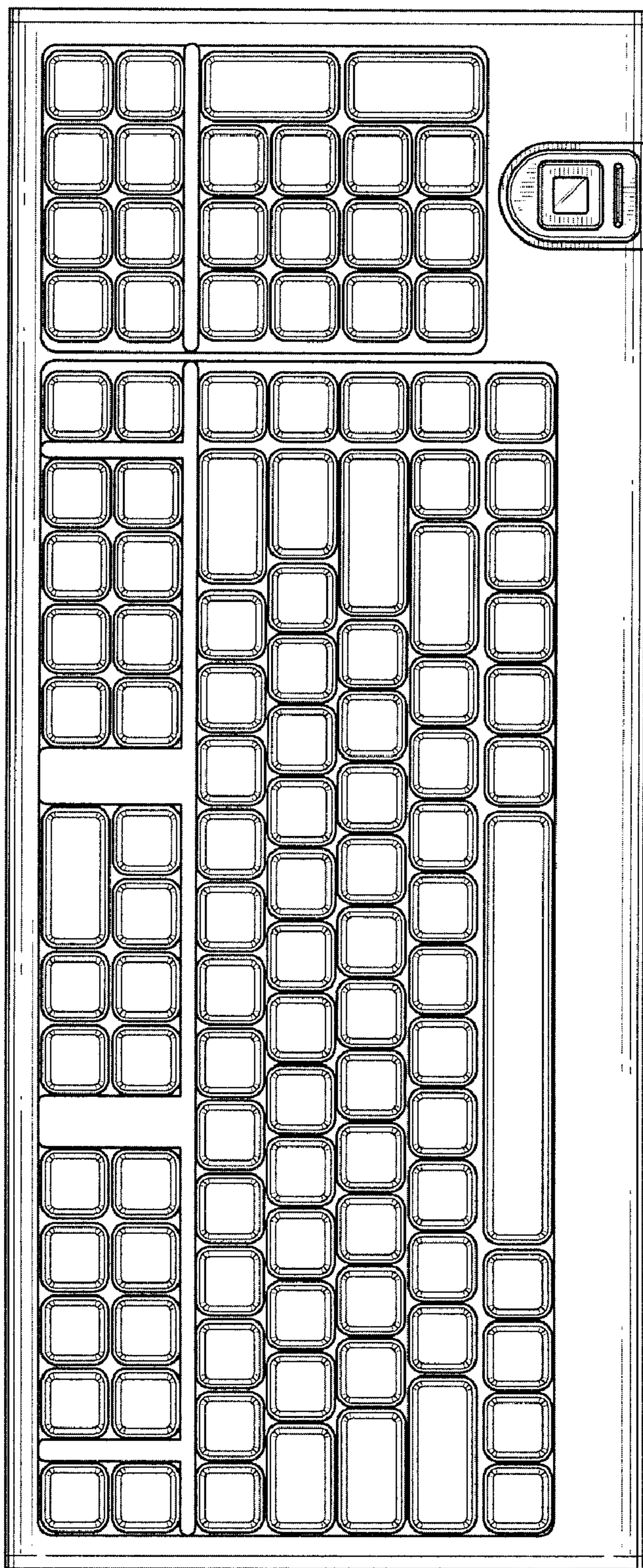


FIG. 12

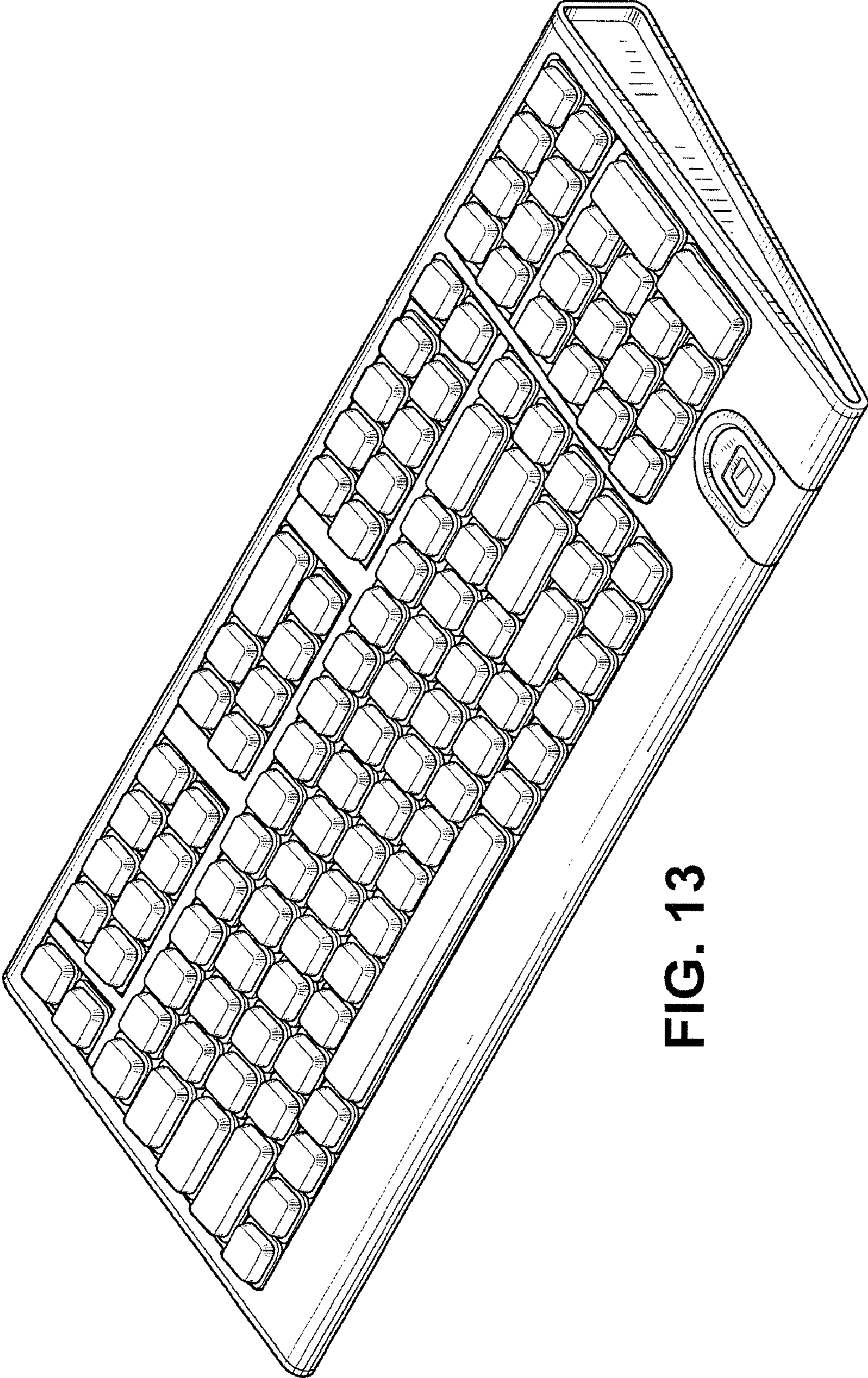


FIG. 13

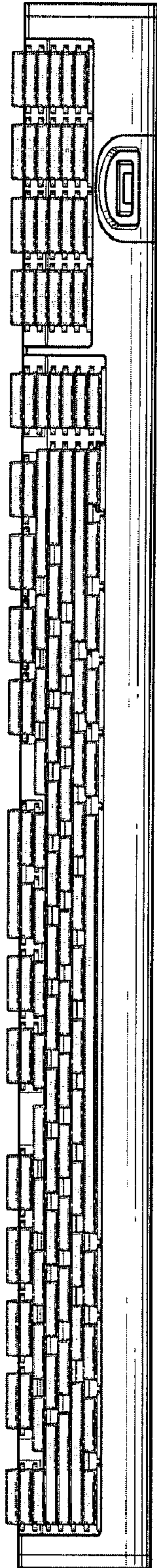


FIG. 14

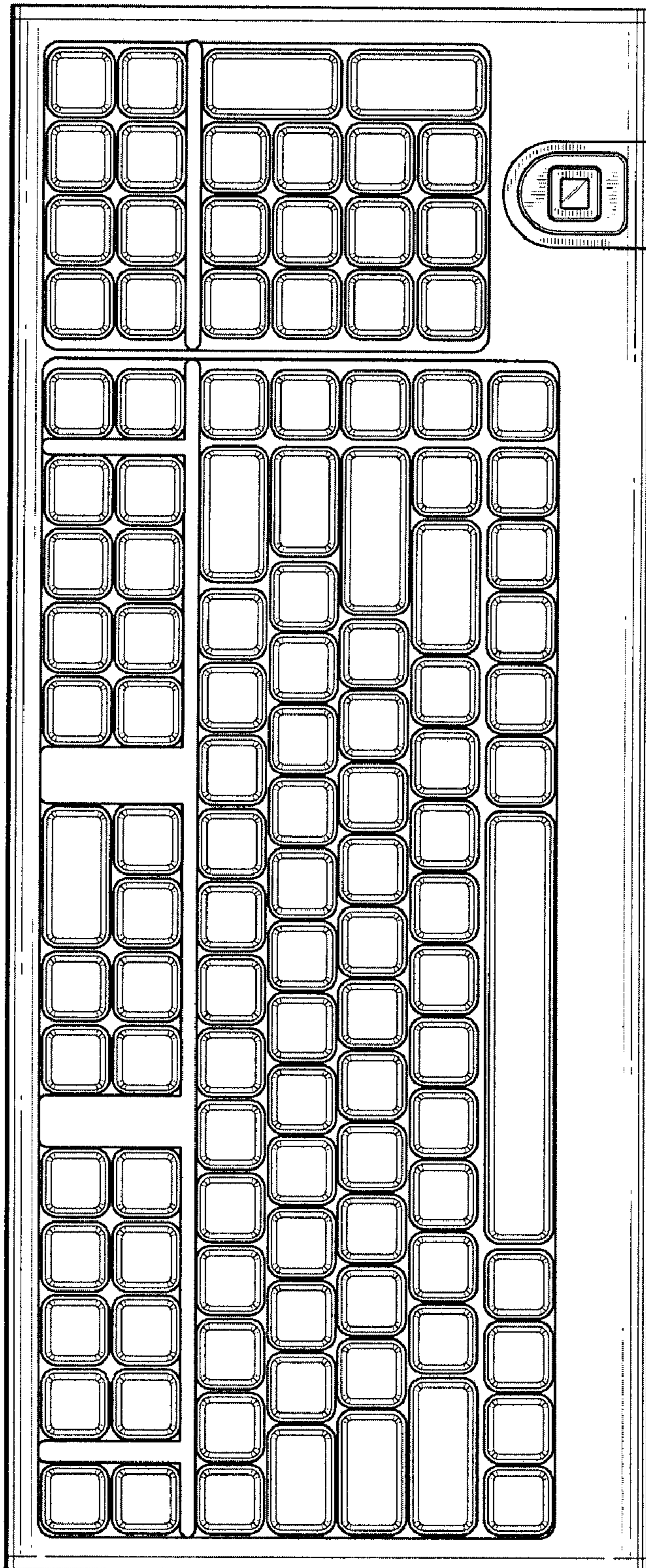


FIG. 15

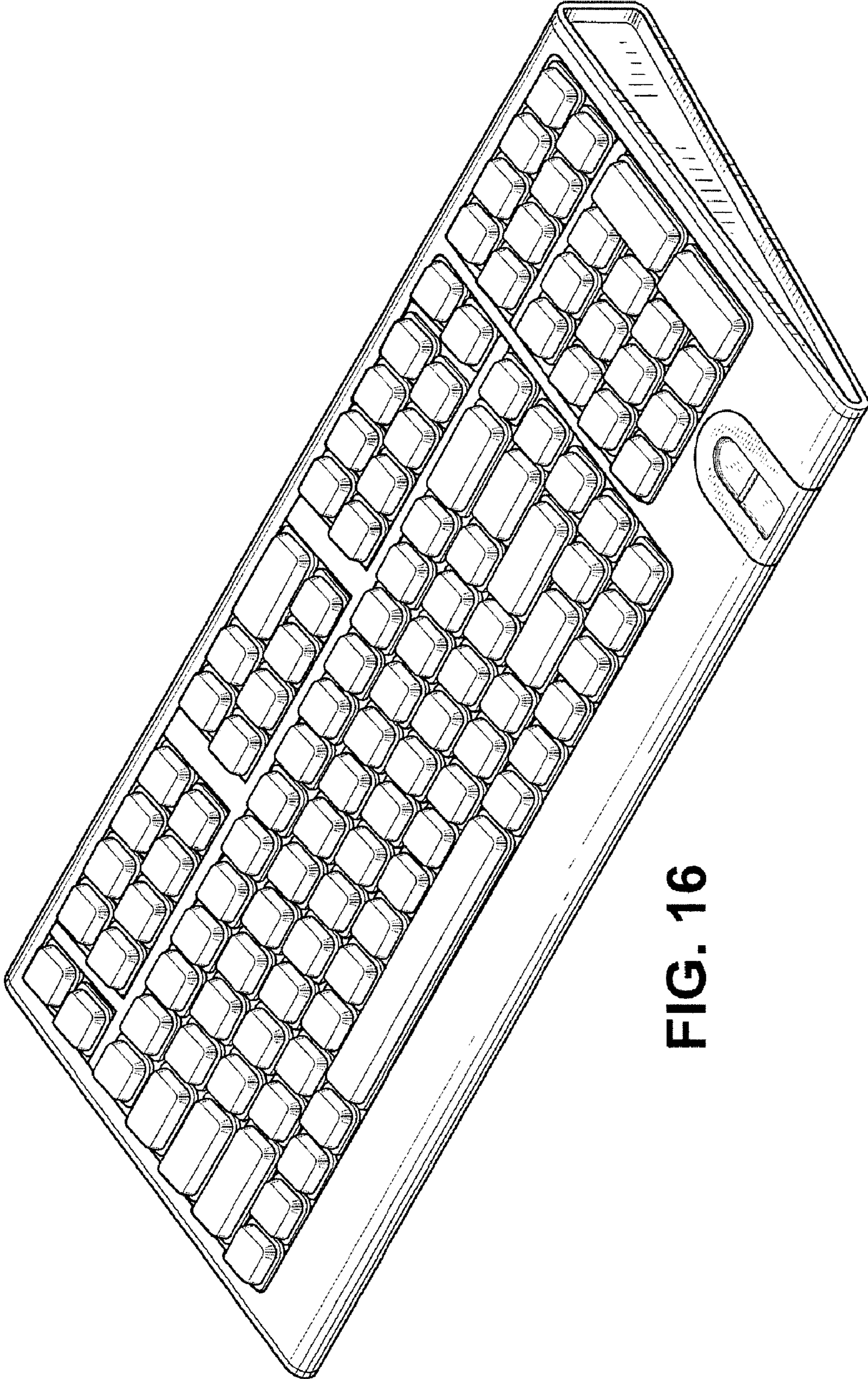


FIG. 16

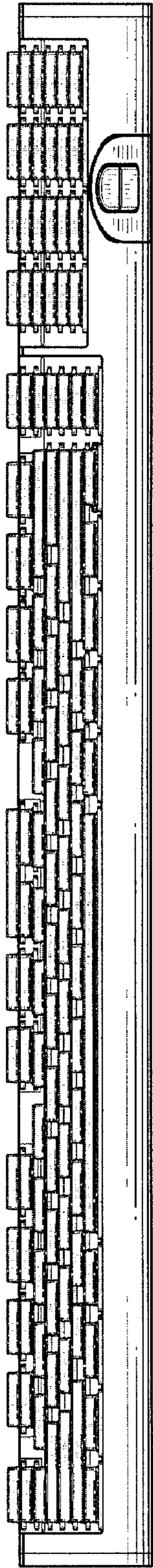


FIG. 17

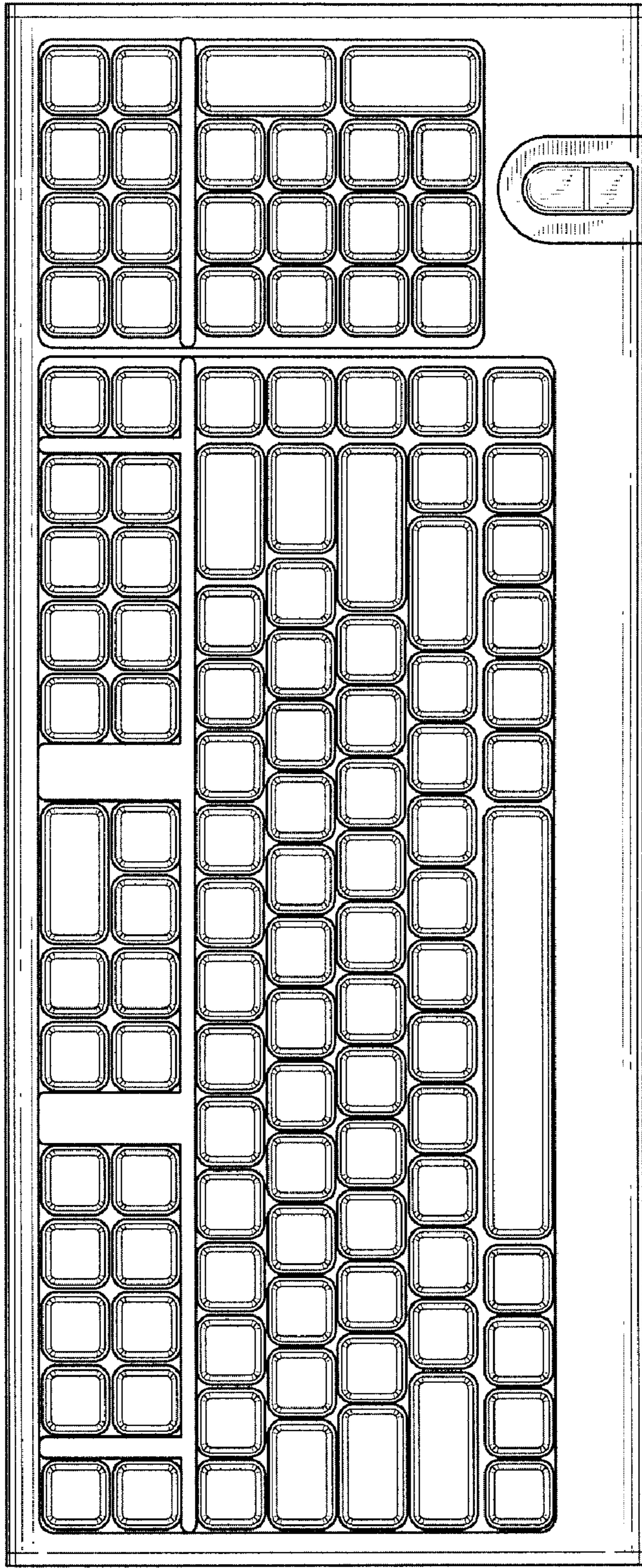


FIG. 18