

US00D579449S

(12) **United States Design Patent**
Okamoto et al.

(10) **Patent No.:** **US D579,449 S**

(45) **Date of Patent:** **** Oct. 28, 2008**

(54) **WIRELESS ADAPTER**

(75) Inventors: **Takayuki Okamoto**, Tokyo (JP);
Takahisa Yamada, Tokyo (JP); **Kazuya Fukuda**, Tokyo (JP)

(73) Assignee: **NEC Display Solutions, Ltd.**, Tokyo (JP)

(**) Term: **14 Years**

(21) Appl. No.: **29/298,495**

(22) Filed: **Dec. 6, 2007**

(30) **Foreign Application Priority Data**

Jun. 8, 2007 (JP) 2007-015363

(51) **LOC (8) Cl.** **14-02**

(52) **U.S. Cl.** **D14/356**

(58) **Field of Classification Search** D14/411,
D14/384-385, 518, 348, 432-436, 299, 167,
D14/402, 242, 356, 358, 496, 156, 240; 455/344;
710/300-301; 361/684-686; 439/518, 139-141,
439/131, 607, 133; 365/63

See application file for complete search history.

(56) **References Cited**

U.S. PATENT DOCUMENTS

D291,803 S * 9/1987 Mantell D14/240
D454,130 S * 3/2002 Do et al. D14/433
6,544,075 B1 * 4/2003 Liao 439/638
6,612,874 B1 * 9/2003 Stout et al. 439/640
6,786,734 B2 * 9/2004 Yu 439/11

D499,100 S * 11/2004 Neel et al. D14/435
D502,182 S * 2/2005 Mitchell et al. D14/436
6,975,274 B2 * 12/2005 Sanchez et al. 343/702
D529,878 S * 10/2006 Wang D14/125
D543,970 S * 6/2007 Griffin D14/217
D555,149 S * 11/2007 Griffin D14/217
D560,214 S * 1/2008 Yuba et al. D14/230
7,357,654 B2 * 4/2008 Lin et al. 439/164

* cited by examiner

Primary Examiner—Robin V. Webster

Assistant Examiner—Karen E Kearney

(74) *Attorney, Agent, or Firm*—Sughrue Mion, PLLC

(57) **CLAIM**

The ornamental design for a wireless adapter, as shown and described.

DESCRIPTION

FIG. 1 is a front, left side, bottom perspective view of a wireless adapter showing our new design;

FIG. 2 is a front elevational view thereof;

FIG. 3 is a rear elevational view thereof;

FIG. 4 is a left side view thereof;

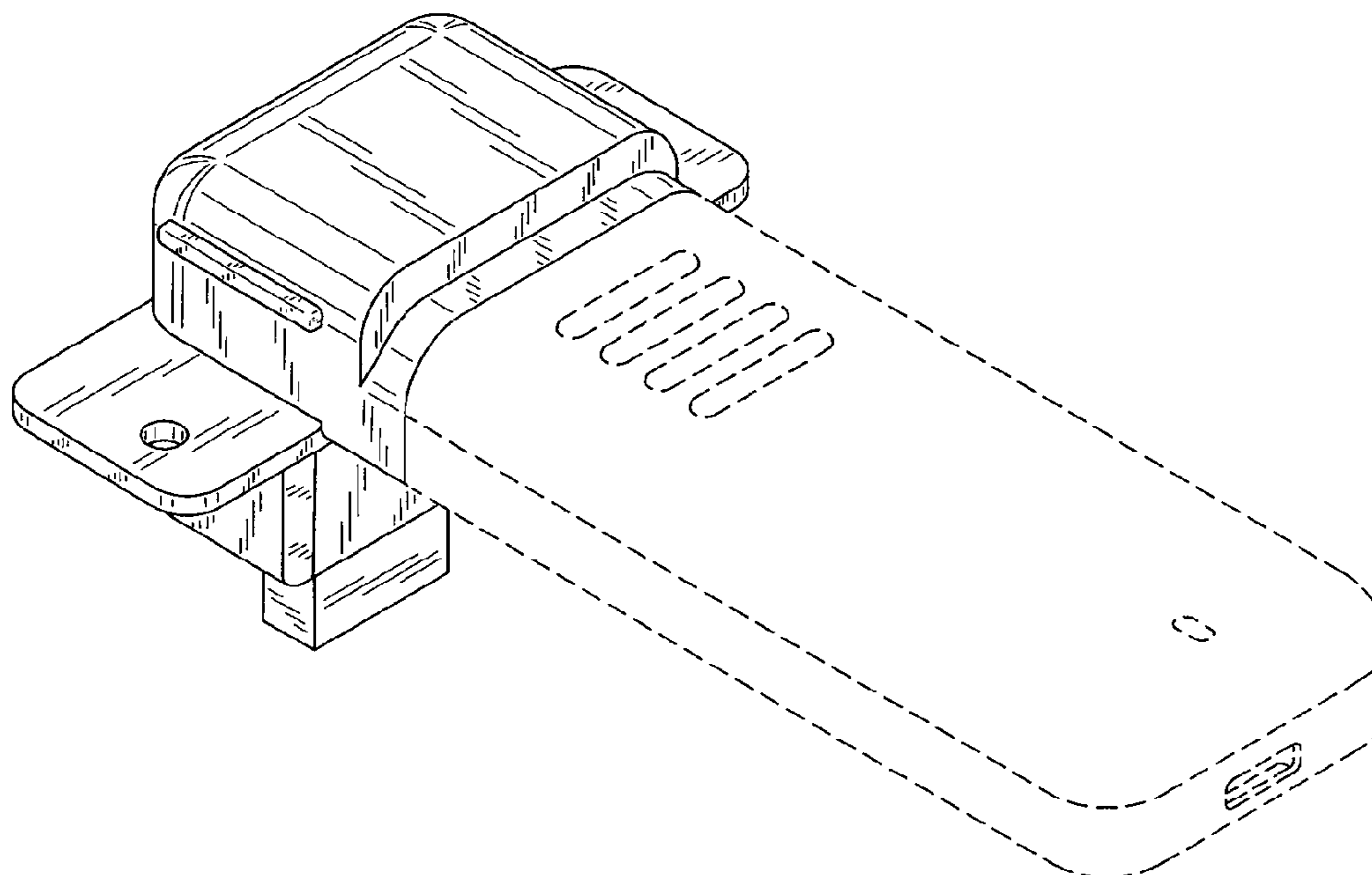
FIG. 5 is a right side view thereof;

FIG. 6 is a top plan view thereof; and,

FIG. 7 is a bottom plan view thereof.

The portions of the wireless adapter in broken lines are shown for illustrative purposes only and form no part of the claimed design.

1 Claim, 6 Drawing Sheets



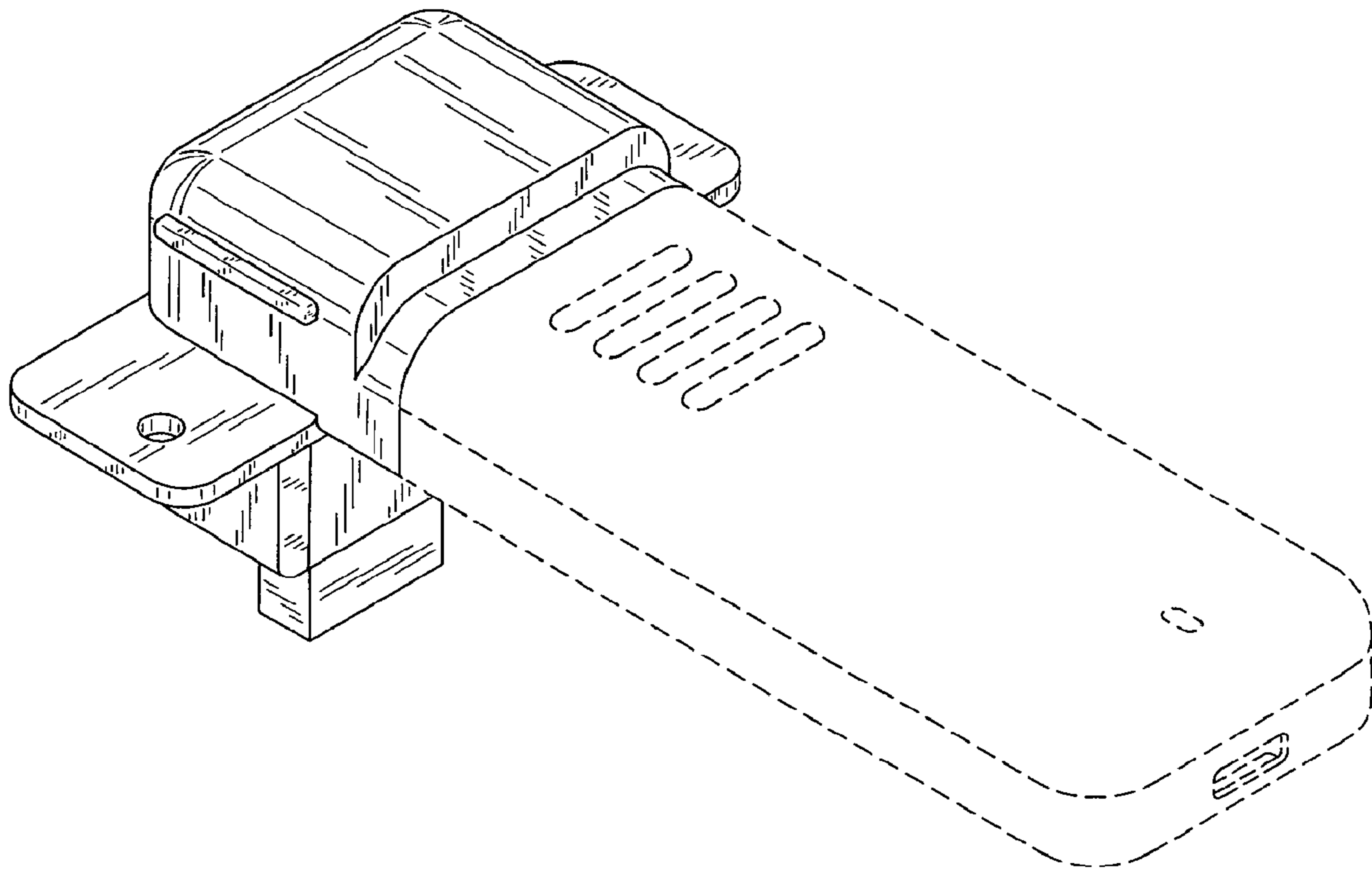


FIG. 1

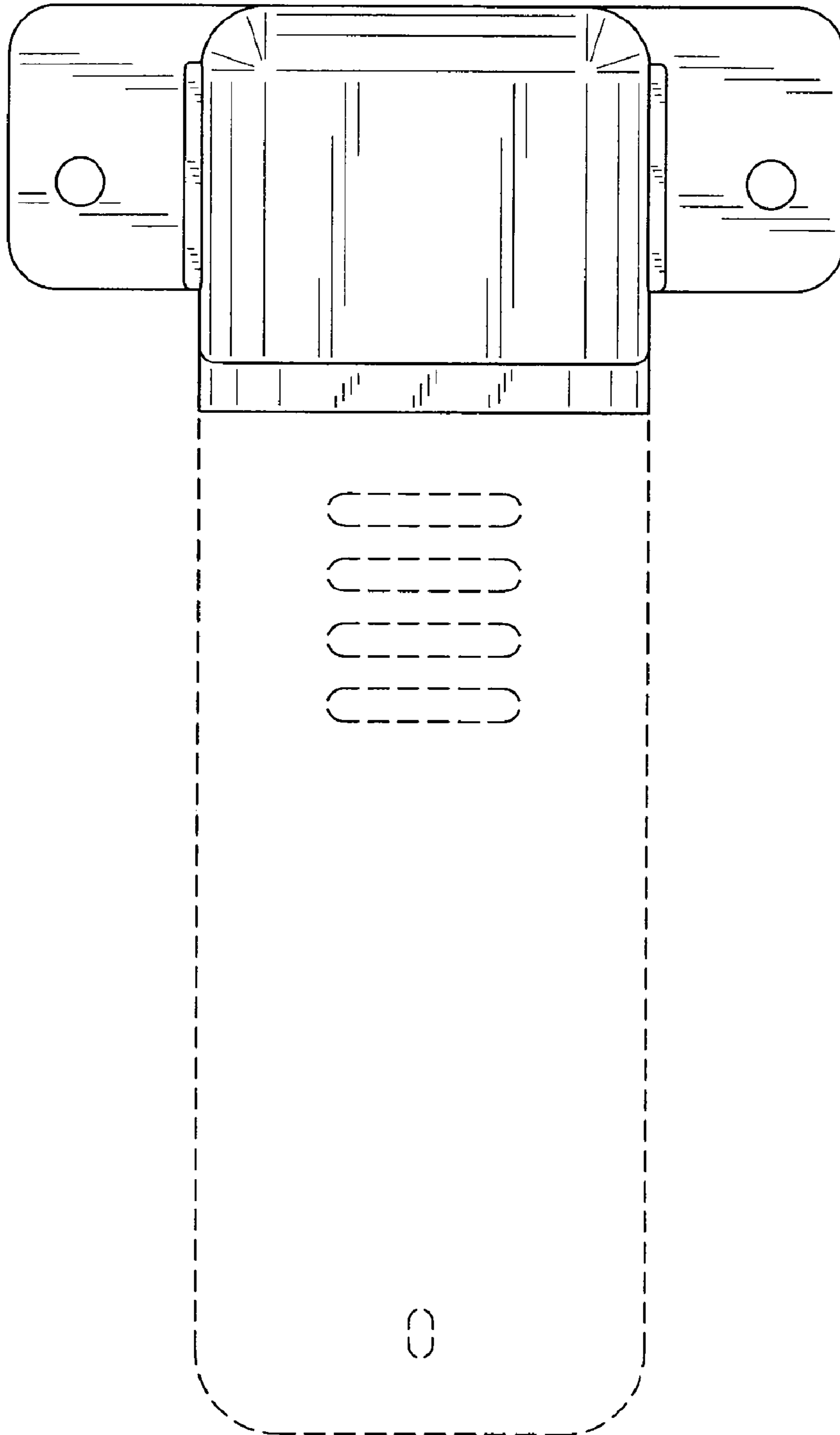


FIG. 2

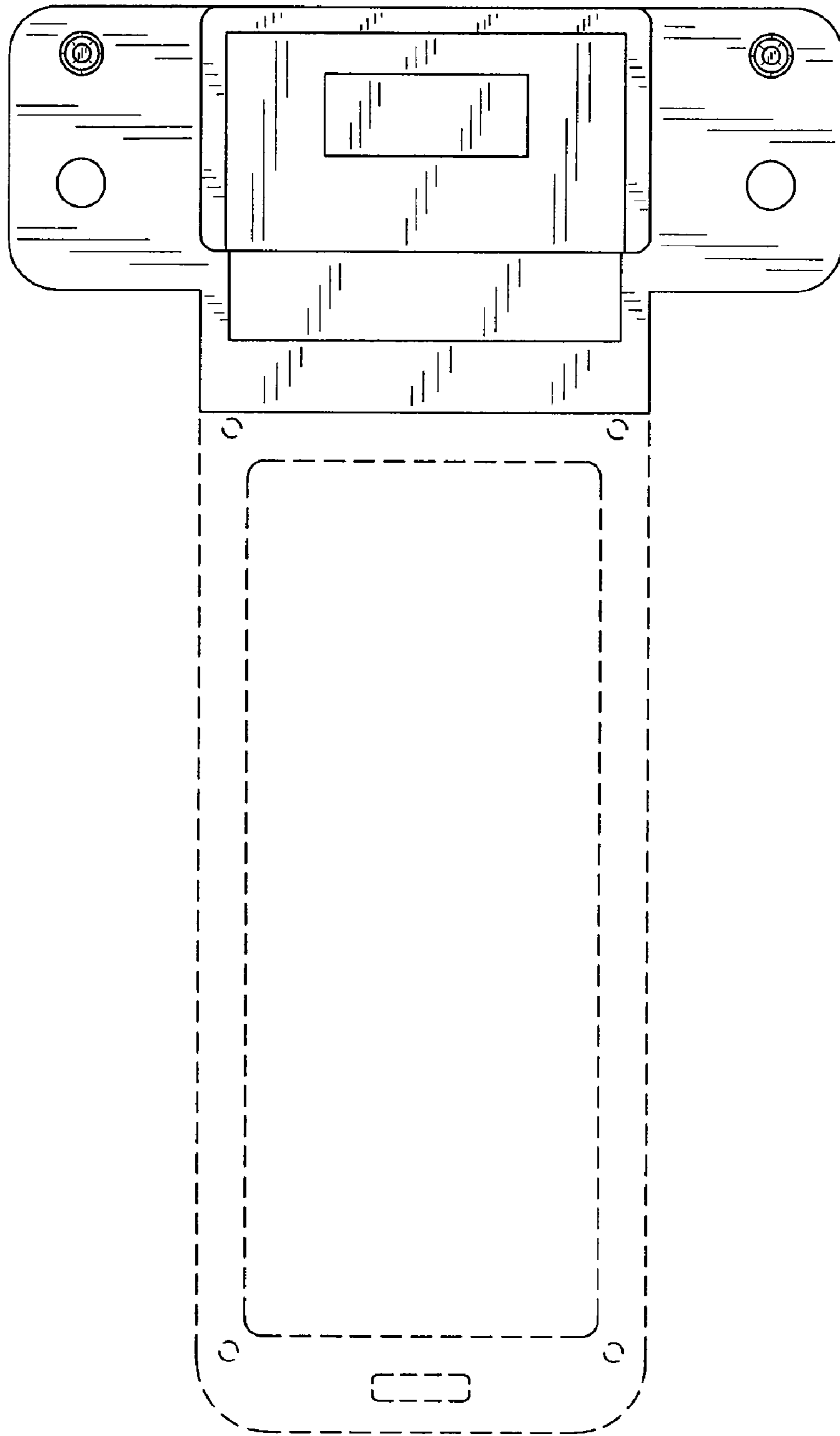


FIG. 3

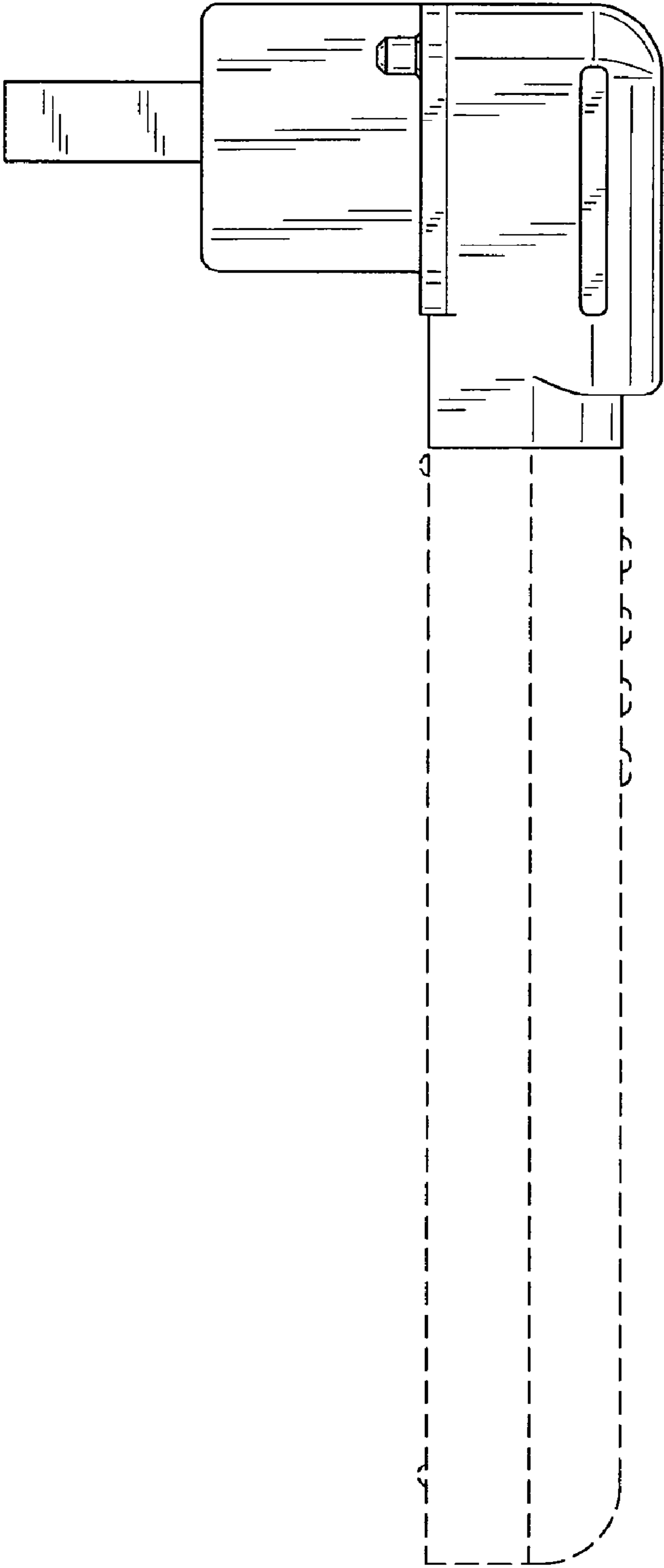


FIG. 4

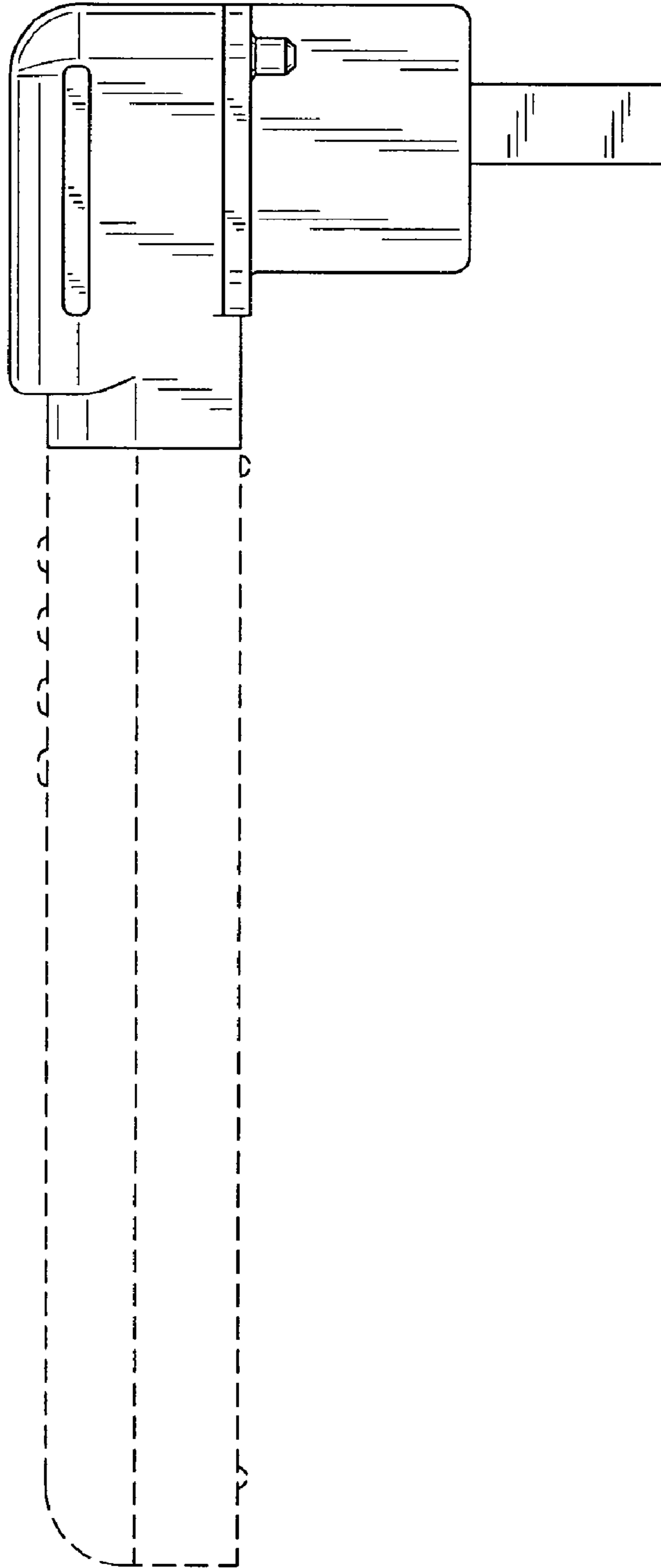


FIG. 5

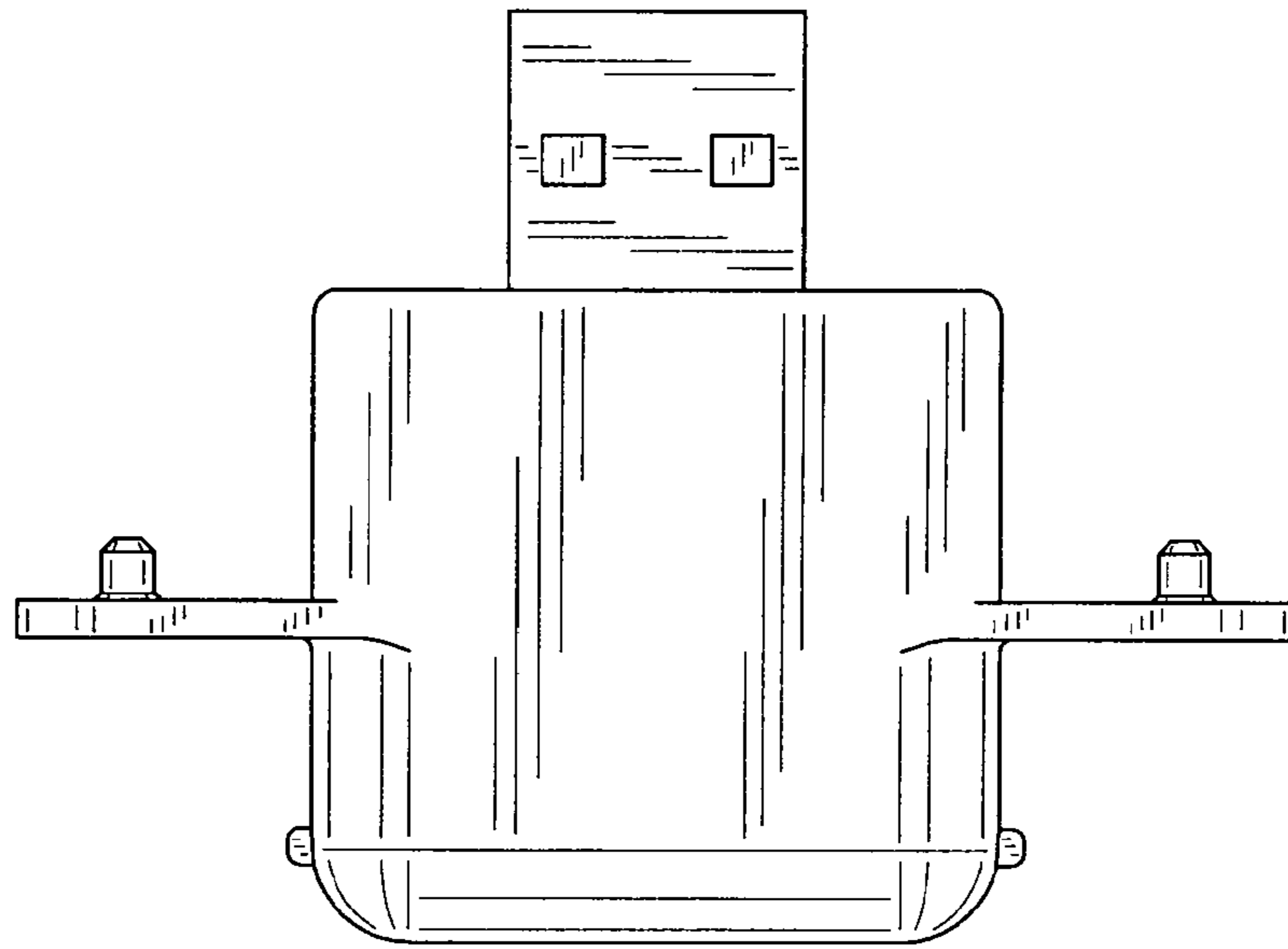


FIG. 6

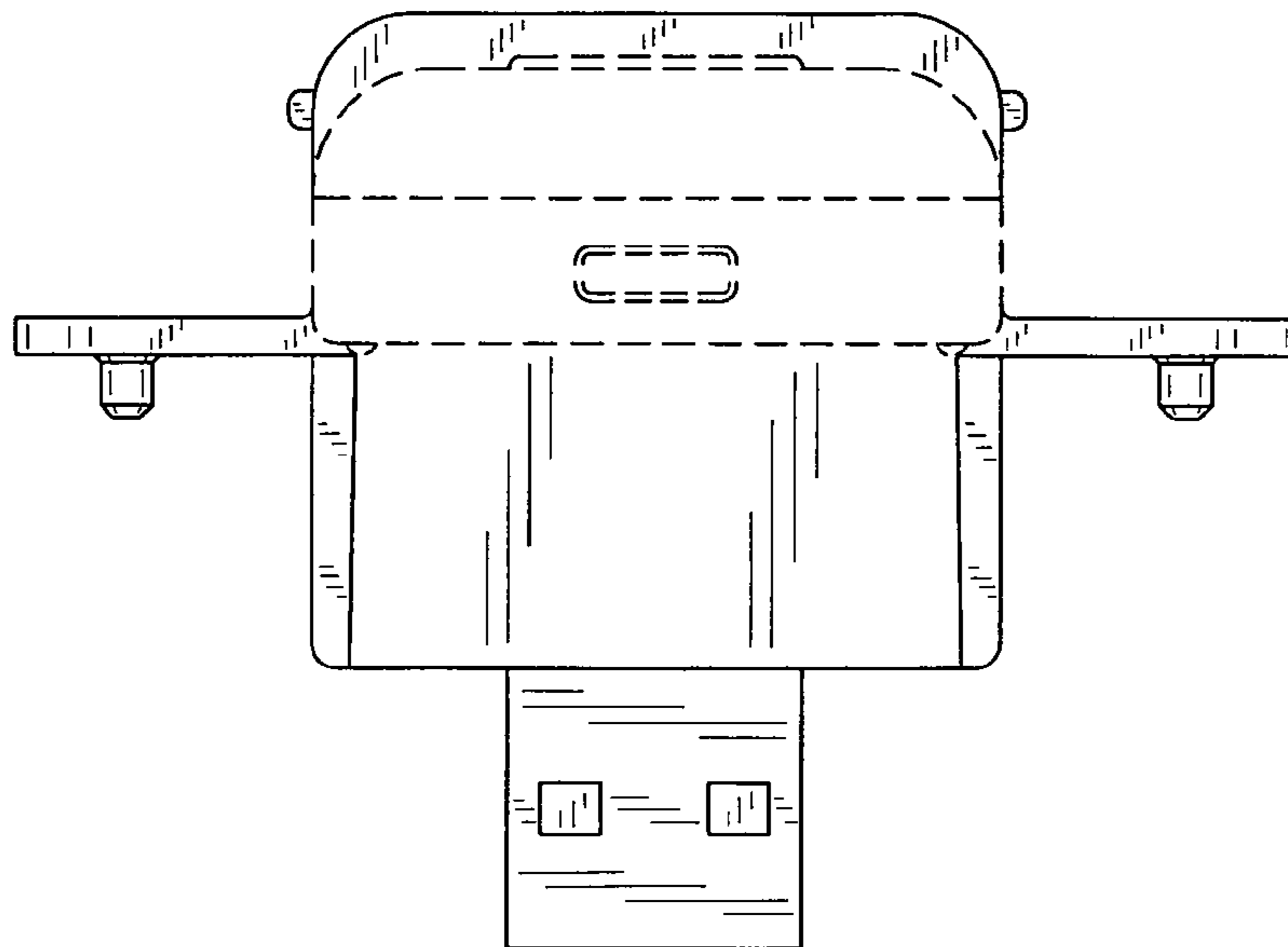


FIG. 7