



US00D579448S

(12) **United States Design Patent**
Miyazato

(10) **Patent No.:** **US D579,448 S**
(45) **Date of Patent:** **** Oct. 28, 2008**

(54) **COMBINED DIGITAL DISC PLAYER AND
AUTOMOTIVE NAVIGATION SYSTEM**

JP 1294160 2/2007

OTHER PUBLICATIONS

(75) Inventor: **Koji Miyazato**, Kobe (JP)

U.S. Appl. No. 29/274,660, filed May 14, 2007.

(73) Assignee: **Fujitsu Ten Limited**, Hyogo (JP)

U.S. Appl. No. 29/274,667, filed May 14, 2007.

(**) Term: **14 Years**

U.S. Appl. No. 29/274,668, filed May 14, 2007.

(21) Appl. No.: **29/274,671**

U.S. Appl. No. 29/274,661, filed May 14, 2007.

(22) Filed: **May 14, 2007**

“Video microscope TW-CM10, TW-CM10L4, TW-CM10L16” published by Sony Manufacturing System Corporation Apr. 25, 2003.

(30) **Foreign Application Priority Data**

* cited by examiner

Nov. 15, 2006 (JP) 2006-031377

Primary Examiner—Nanda Bondade

(74) *Attorney, Agent, or Firm*—Oliff & Berridge, PLC

(51) **LOC (8) Cl.** **14-01**

(57) **CLAIM**

(52) **U.S. Cl.** **D14/258**

The ornamental design for a combined digital disc player and automotive navigation system, as shown and described.

(58) **Field of Classification Search** D10/65,
D10/80; D12/192; D14/496, 157, 257–258,
D14/299, 217, 126, 132; 455/344–351; 369/75.11,
369/75.21, 77.11, 77.21; 720/612, 619, 647,
720/655

DESCRIPTION

See application file for complete search history.

FIG. 1 is a perspective view of a combined digital disc player and automotive navigation system showing my new design;

FIG. 2 is a front view thereof;

FIG. 3 is a left side view thereof;

FIG. 4 is a right side view thereof;

FIG. 5 is a top plan view thereof;

FIG. 6 is a bottom plan view thereof;

FIG. 7 is a perspective view showing the front panel opening thereof; and,

FIG. 8 is a perspective view showing the monitor (the navigation device) detaching thereof.

The broken line shown in FIGS. 1 to 8 is for illustrative purposes only and forms no part of the claimed design.

(56) **References Cited**

U.S. PATENT DOCUMENTS

D389,841 S *	1/1998	Tokiyama et al.	D14/258
D439,556 S *	3/2001	Beigel	D12/192
D444,146 S *	6/2001	Weiland et al.	D14/258
D445,783 S *	7/2001	Bouchard	D14/258
D493,783 S *	8/2004	Pietras et al.	D14/257

FOREIGN PATENT DOCUMENTS

JP	HC-15011474	11/2002
JP	1278734	8/2006

1 Claim, 4 Drawing Sheets

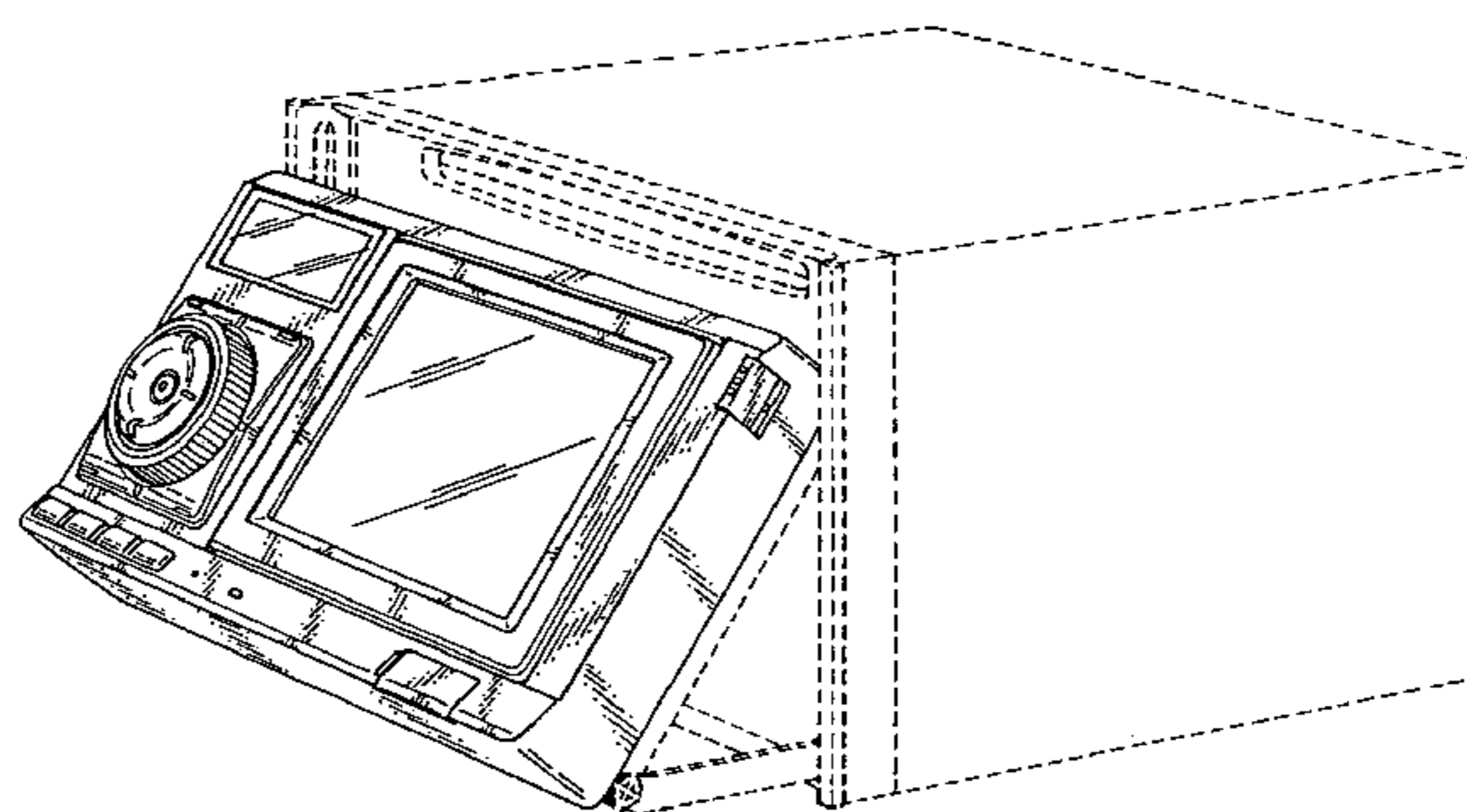
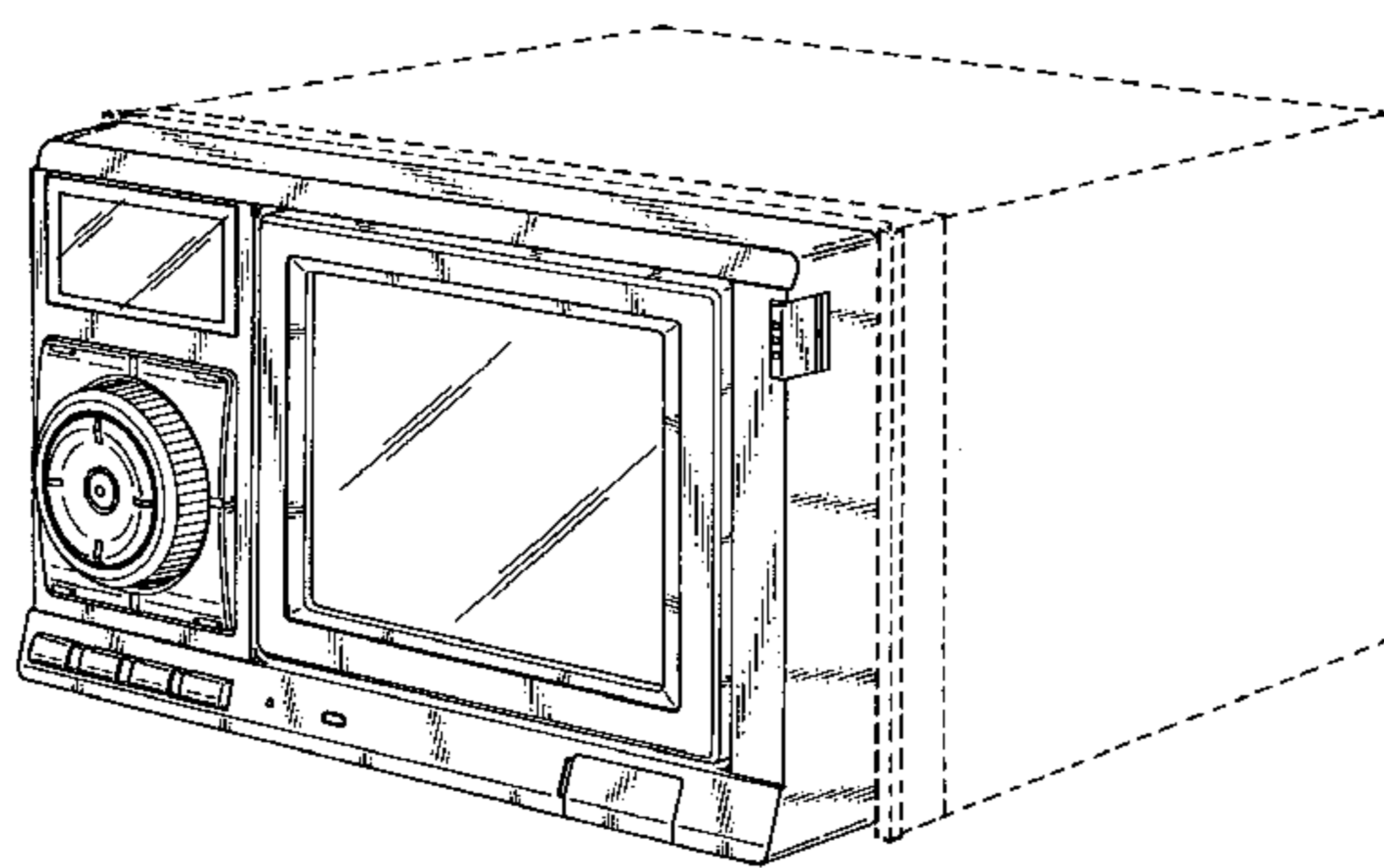


Fig. 1

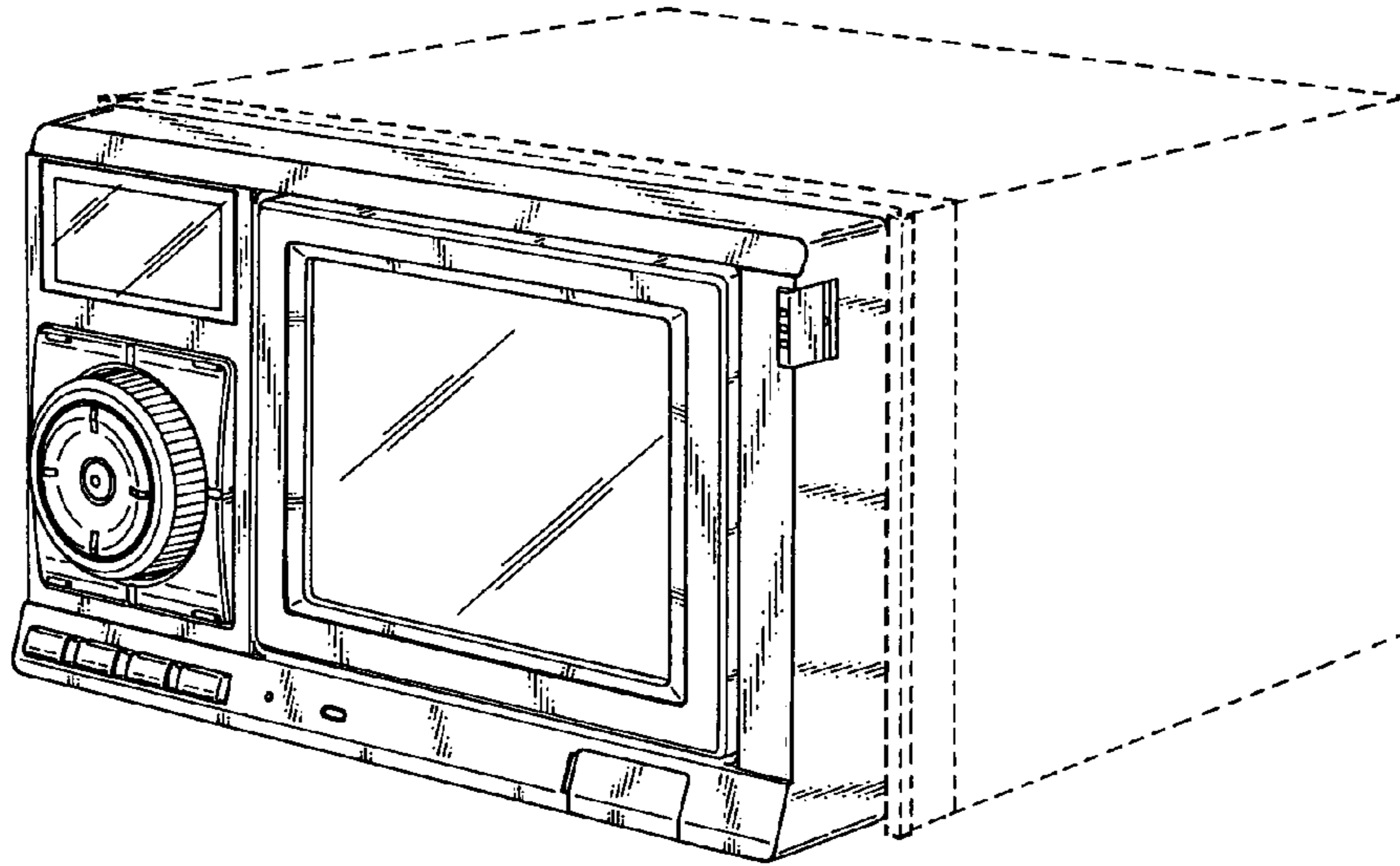


Fig. 2

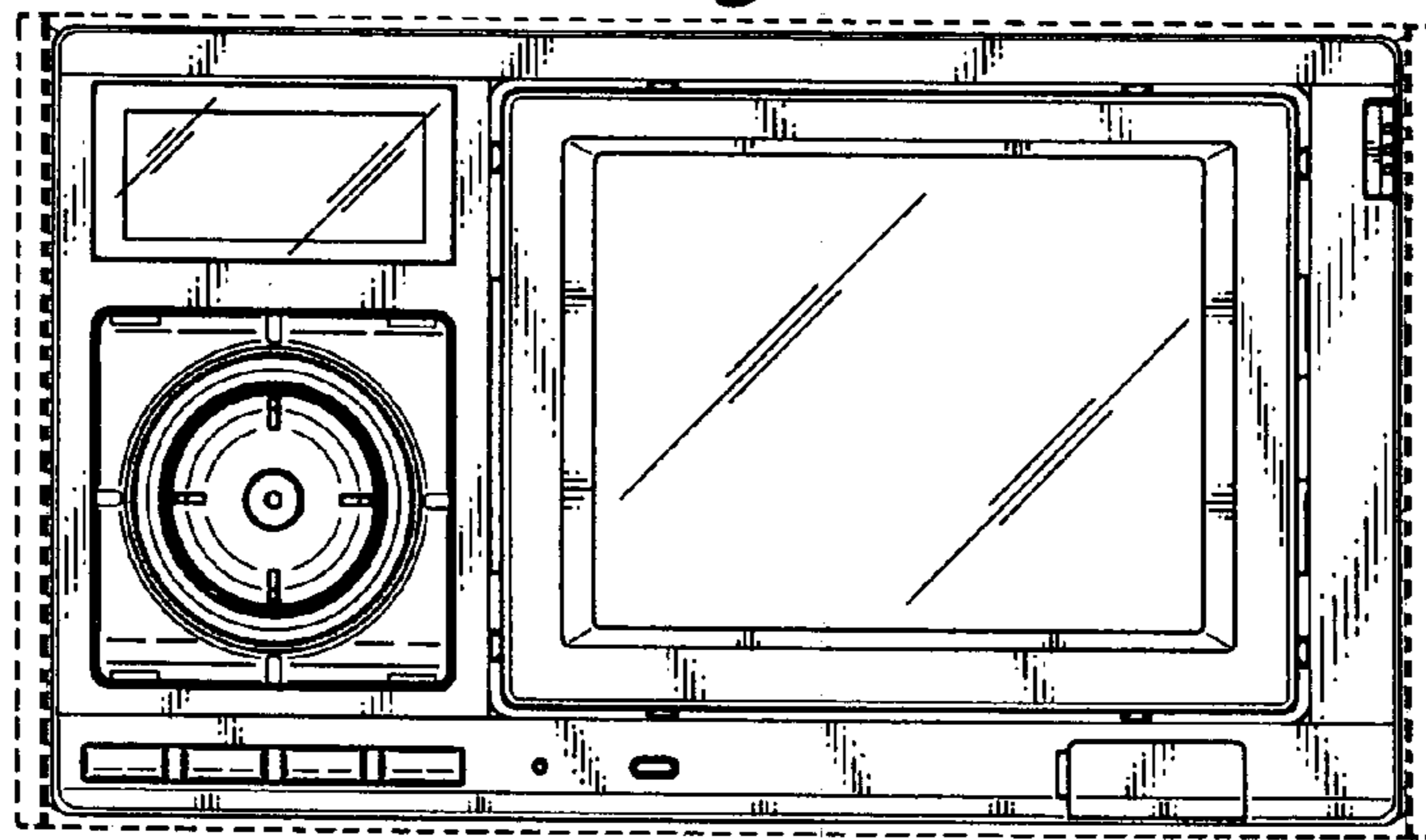


Fig. 3

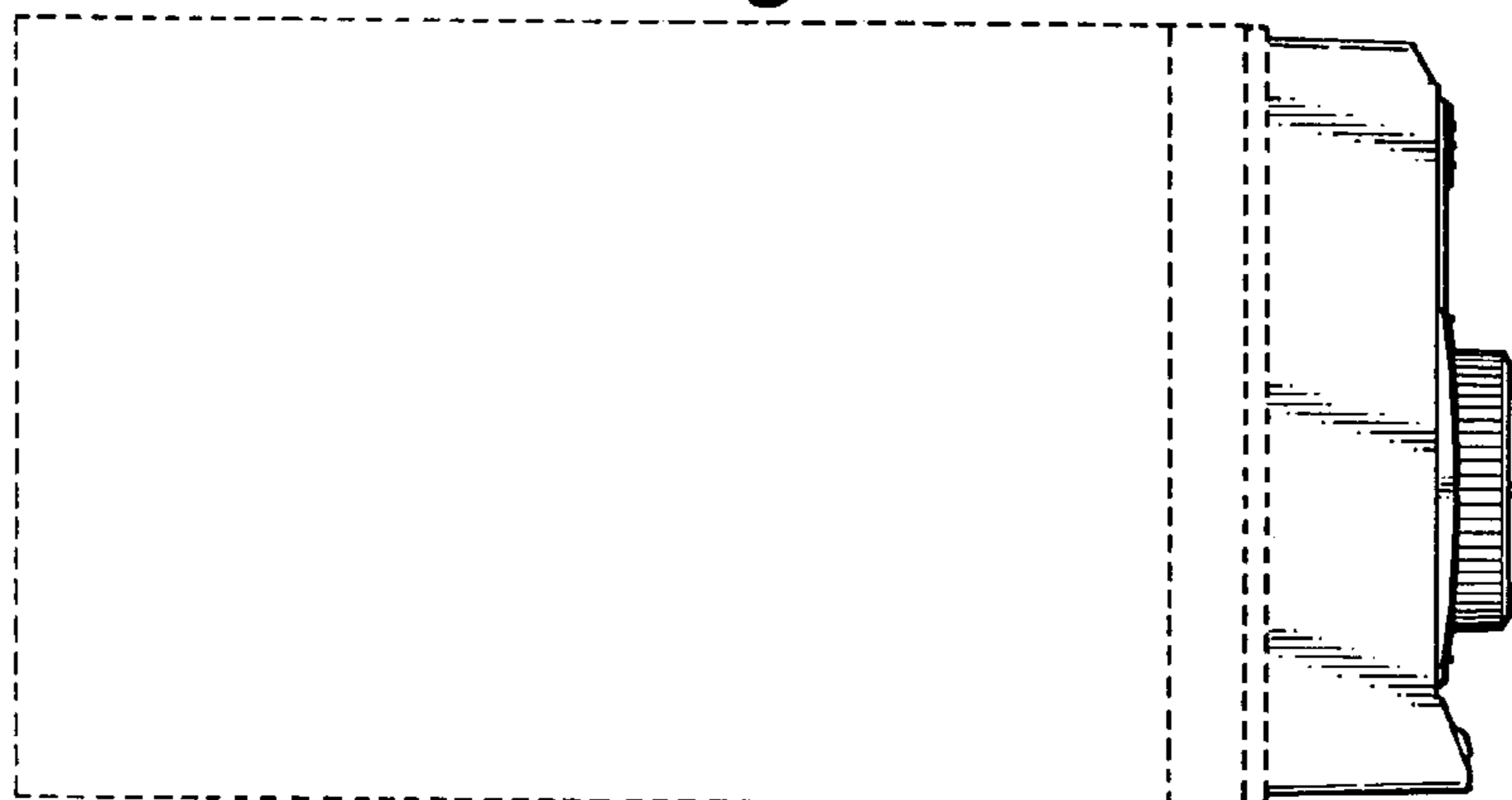


Fig.4

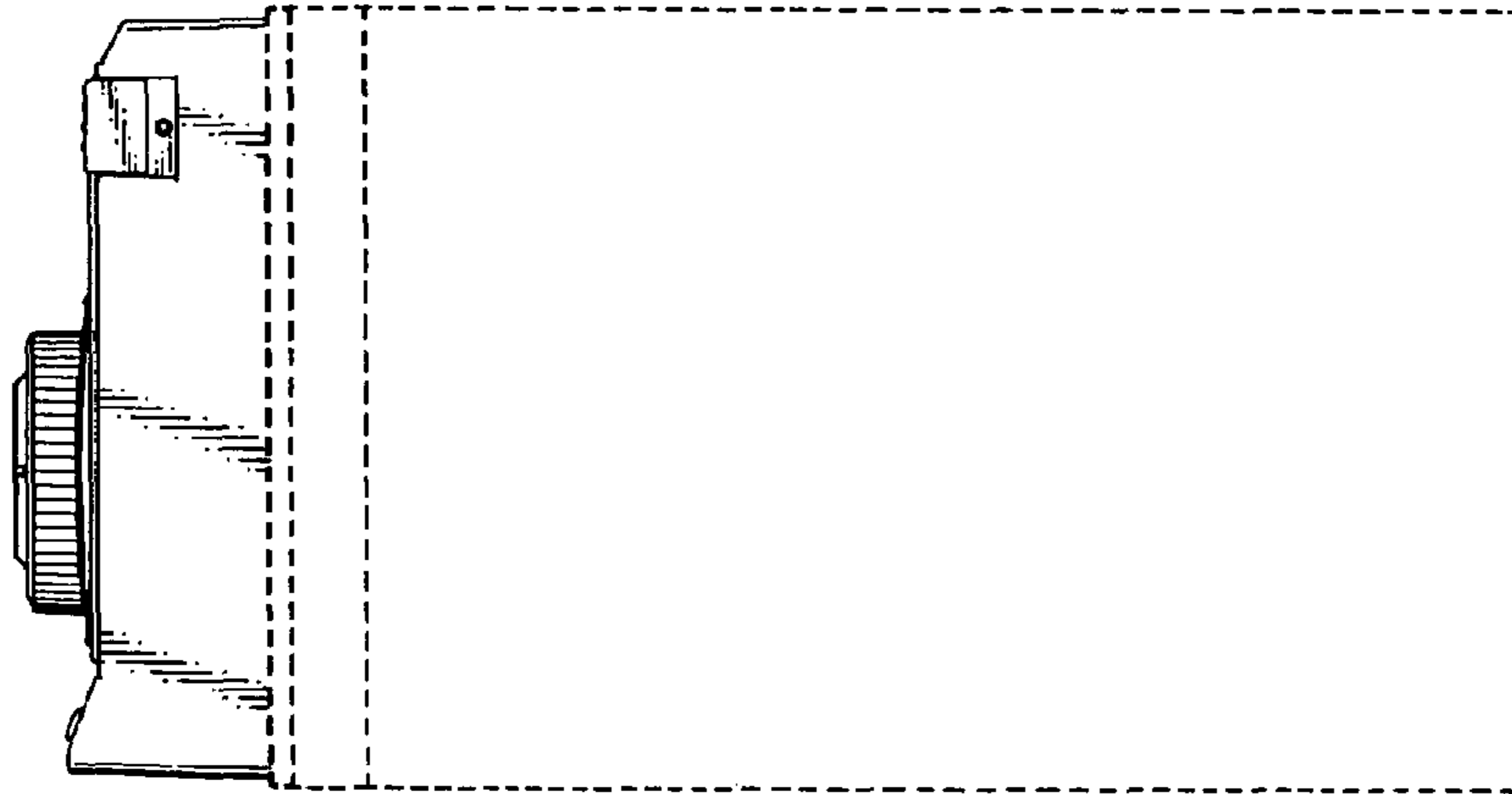


Fig.5

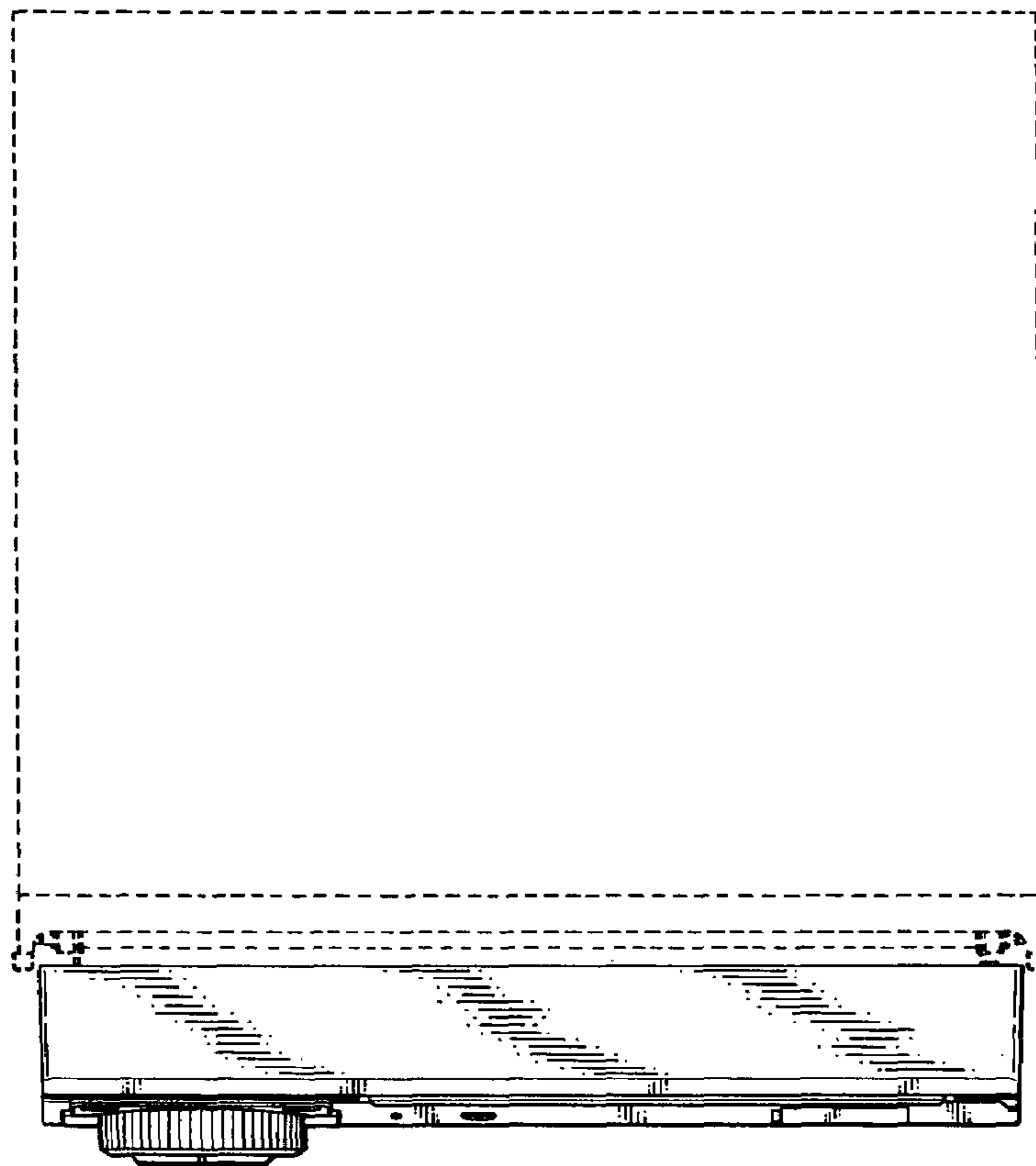


Fig.6

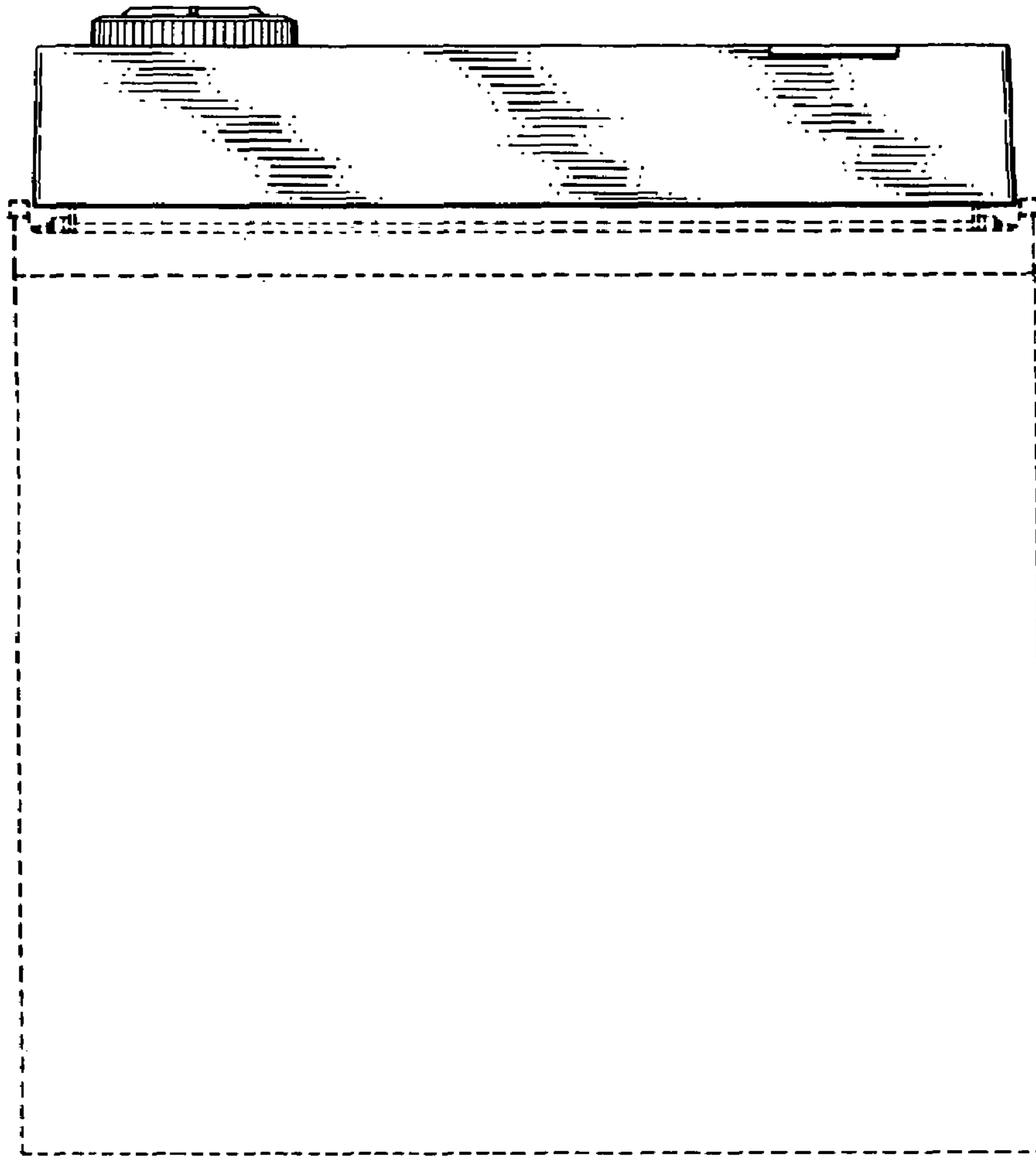


Fig.7

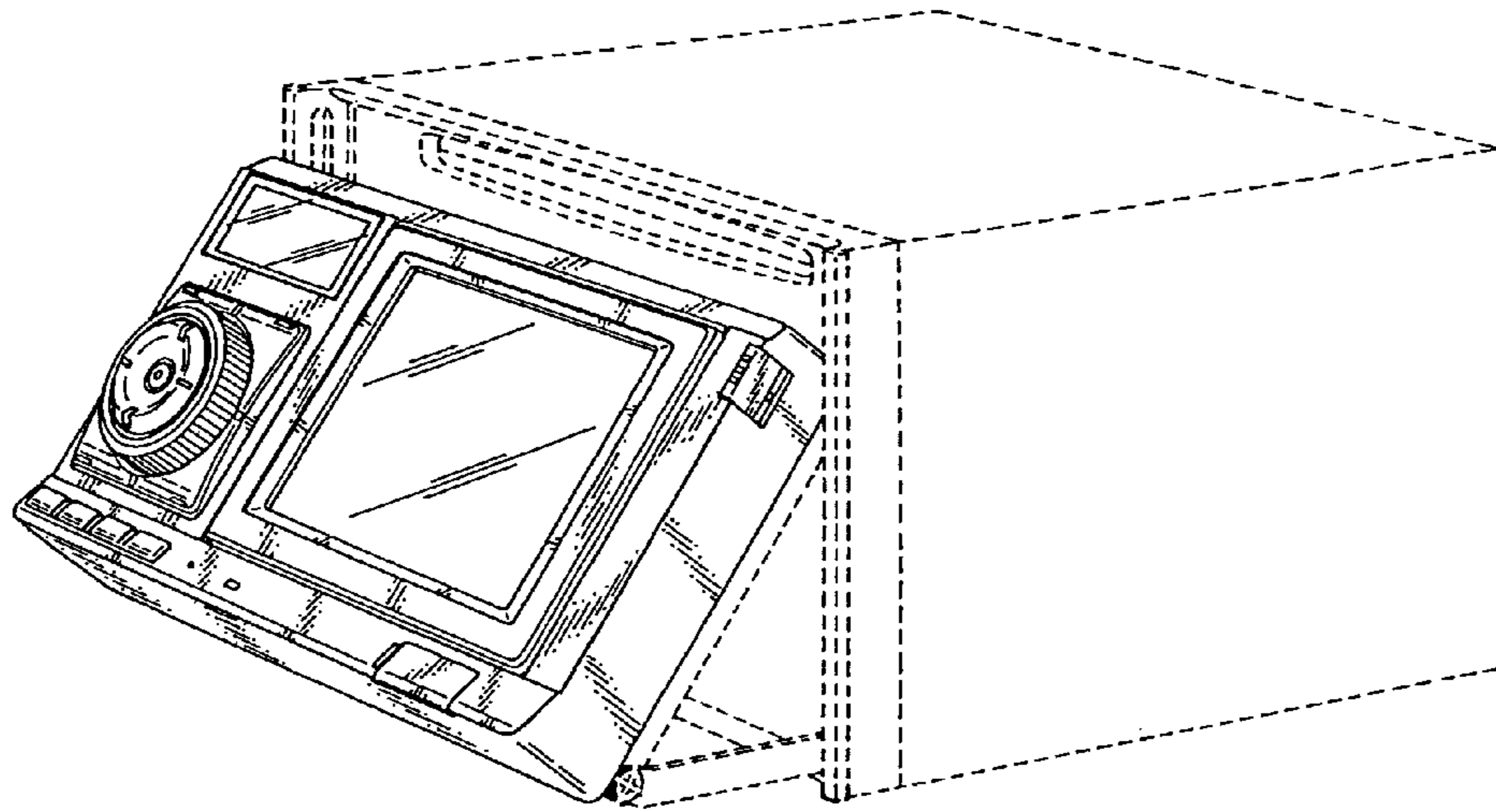


Fig.8

