



US00D579447S

(12) **United States Design Patent**
Miyazato

(10) **Patent No.:** **US D579,447 S**

(45) **Date of Patent:** **** Oct. 28, 2008**

(54) **COMBINED DIGITAL DISC PLAYER AND
AUTOMOTIVE NAVIGATION SYSTEM**

JP 1294160 2/2007

OTHER PUBLICATIONS

(75) Inventor: **Koji Miyazato**, Kobe (JP)

U.S. Appl. No. 29/274,661, filed May 14, 2007.

U.S. Appl. No. 29/274,667, filed May 14, 2007.

(73) Assignee: **Fujitsu Ten Limited**, Hyogo (JP)

U.S. Appl. No. 29/274,671, filed May 14, 2007.

U.S. Appl. No. 29/274,668, filed May 14, 2007.

(**) Term: **14 Years**

* cited by examiner

(21) Appl. No.: **29/274,660**

Primary Examiner—Nanda Bondade

(74) *Attorney, Agent, or Firm*—Oliff & Berridge, PLC

(22) Filed: **May 14, 2007**

(30) **Foreign Application Priority Data**

Nov. 15, 2006 (JP) 2006-031377

(51) **LOC (8) Cl.** **14-01**

(52) **U.S. Cl.** **D14/258**

(58) **Field of Classification Search** D10/65,
D10/80; D12/192; D14/496, 157, 257–258,
D14/299, 217, 126, 132; 455/344–351; 369/75.11,
369/75.21, 77.11, 77.21; 720/612, 619, 647,
720/655

See application file for complete search history.

(56) **References Cited**

U.S. PATENT DOCUMENTS

D389,841 S * 1/1998 Tokiyama et al. D14/258
D439,556 S * 3/2001 Beigel D12/192
D444,146 S * 6/2001 Weiland et al. D14/258
D445,783 S * 7/2001 Bouchard D14/258
D493,783 S * 8/2004 Pietras et al. D14/257

FOREIGN PATENT DOCUMENTS

JP 1278734 8/2006

(57) **CLAIM**

The ornamental design for a combined digital disc player and automotive navigation system, as shown and described.

DESCRIPTION

FIG. 1 is a perspective view of a combined digital disc player and automotive navigation system showing my new design;

FIG. 2 is a perspective view showing the monitor (the navigation device) detaching thereof;

FIG. 3 is a front view of FIG. 1;

FIG. 4 is a left side view thereof;

FIG. 5 is a right side view thereof;

FIG. 6 is a top plan view thereof;

FIG. 7 is a bottom plan view thereof; and,

FIG. 8 is a perspective view showing the front panel opening thereof.

The broken line shown in FIGS. 1 to 8 is for illustrative purposes only and forms no part of the claimed design.

1 Claim, 4 Drawing Sheets

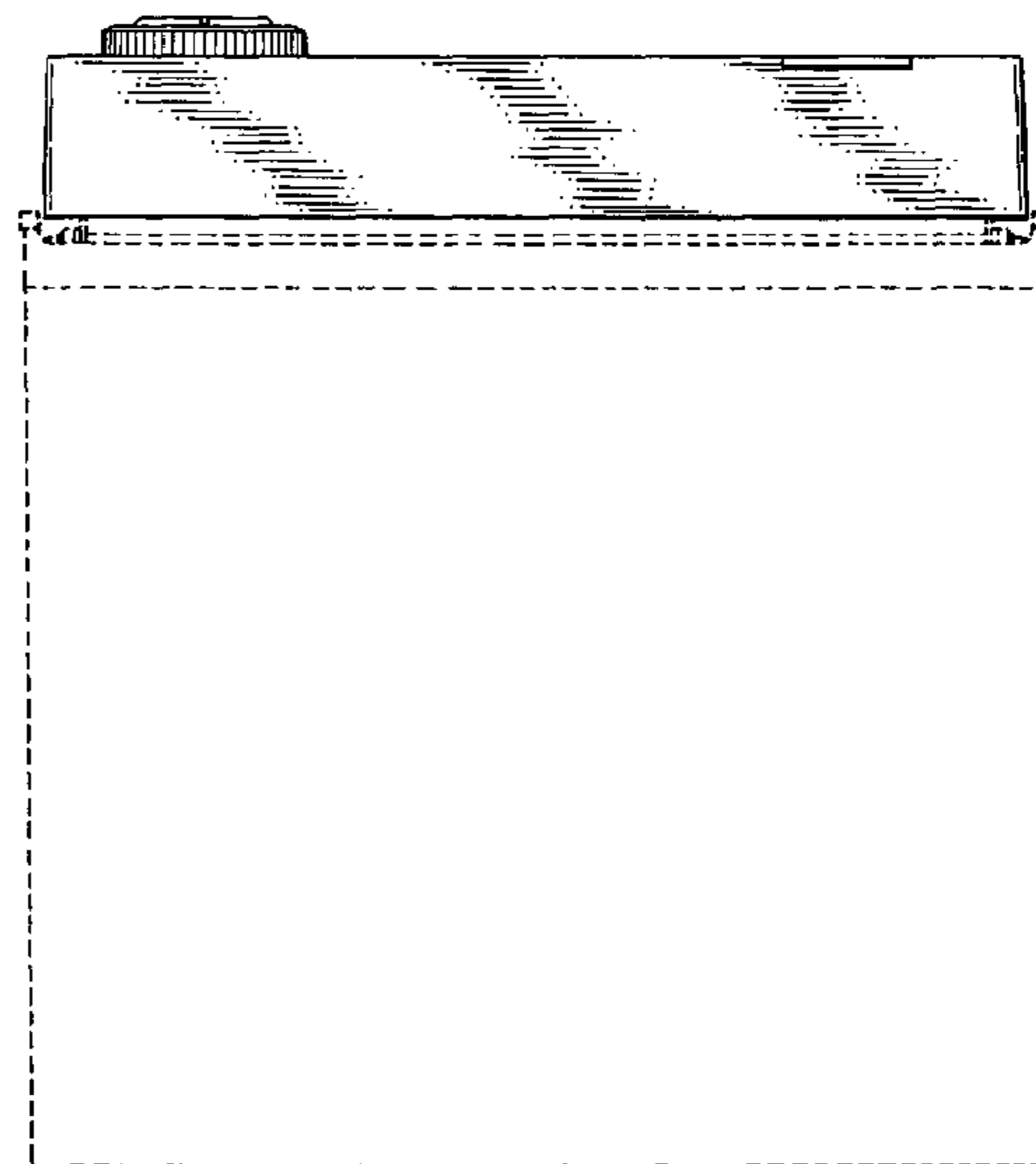
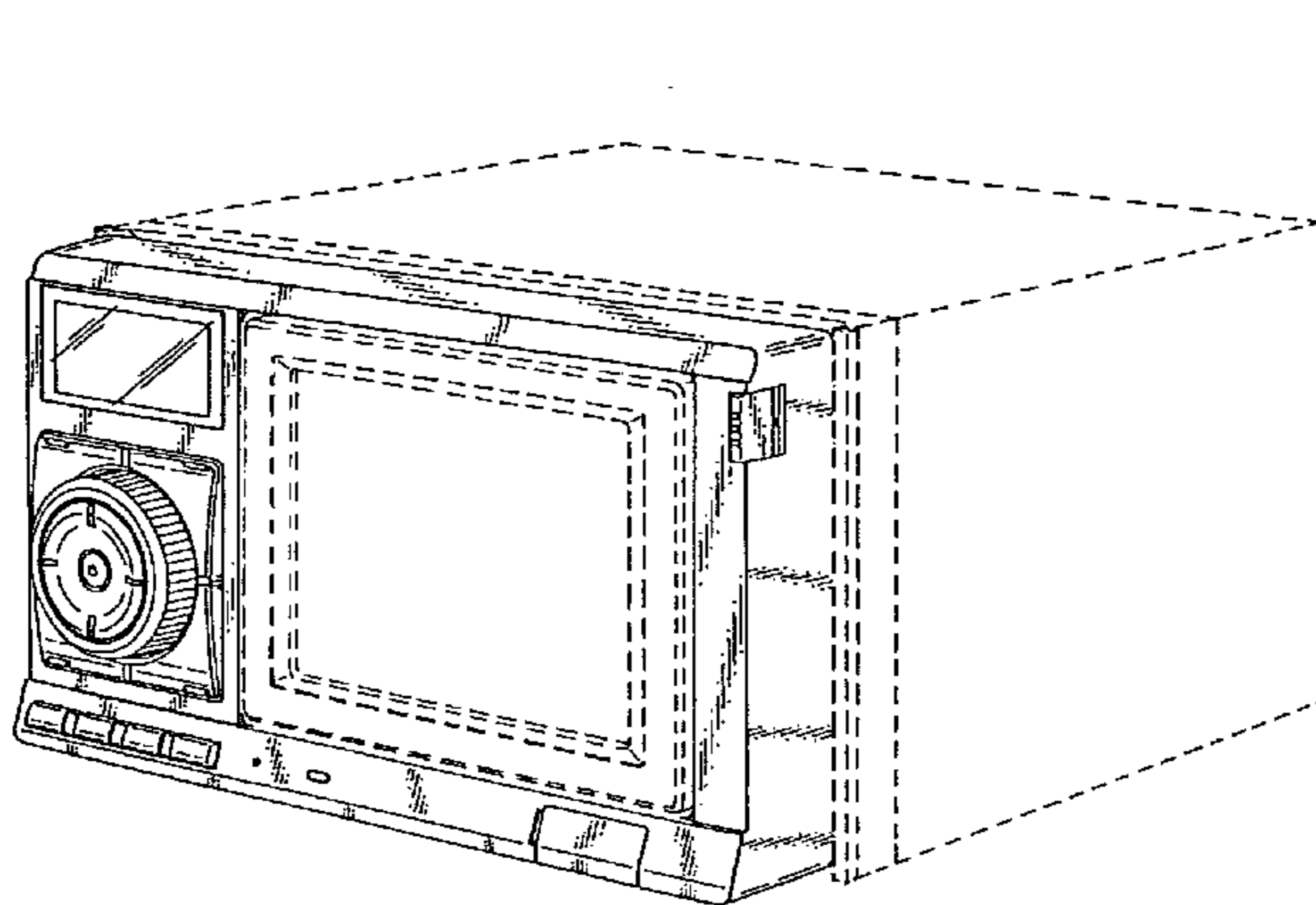


Fig.1

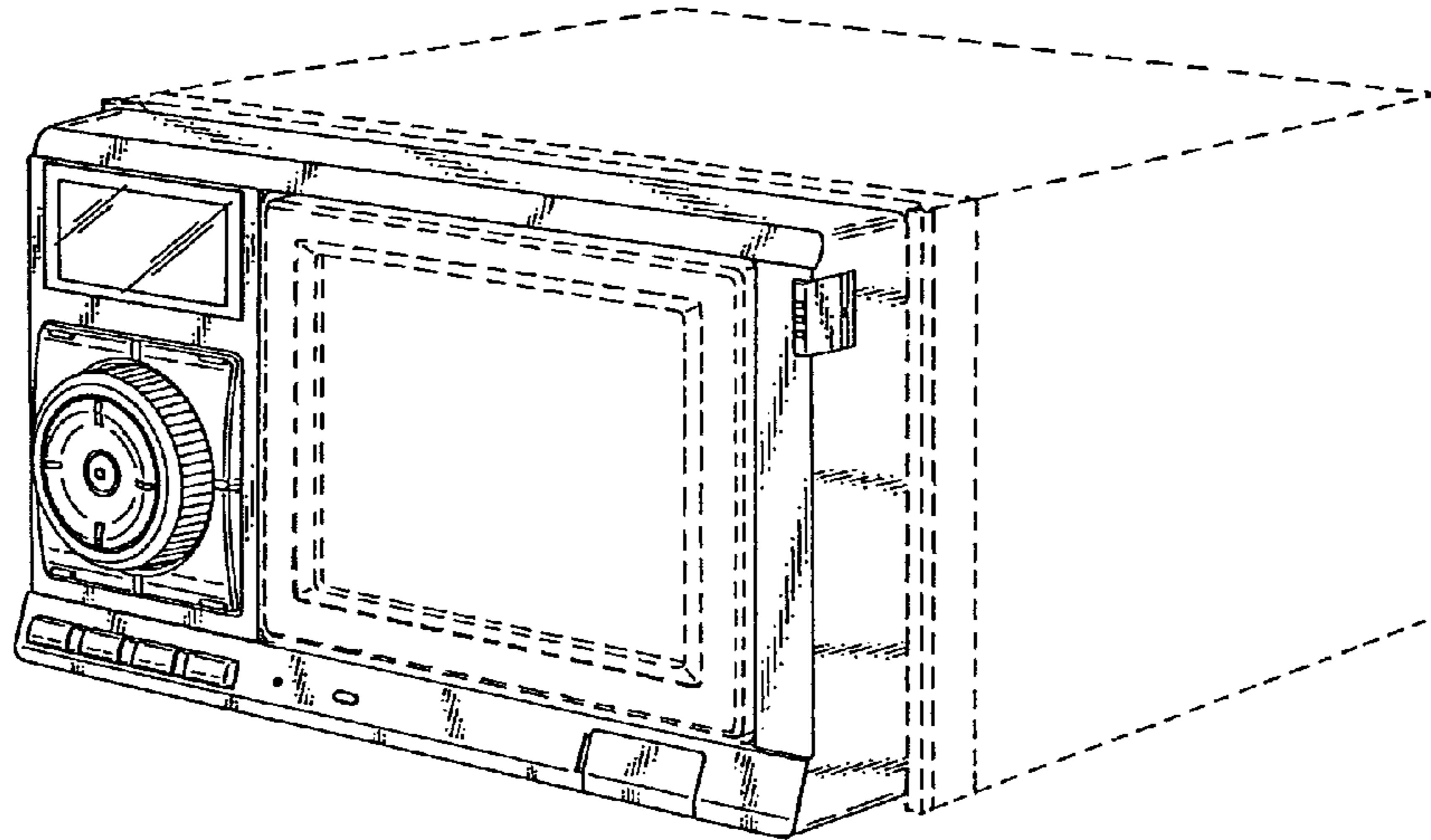


Fig.2

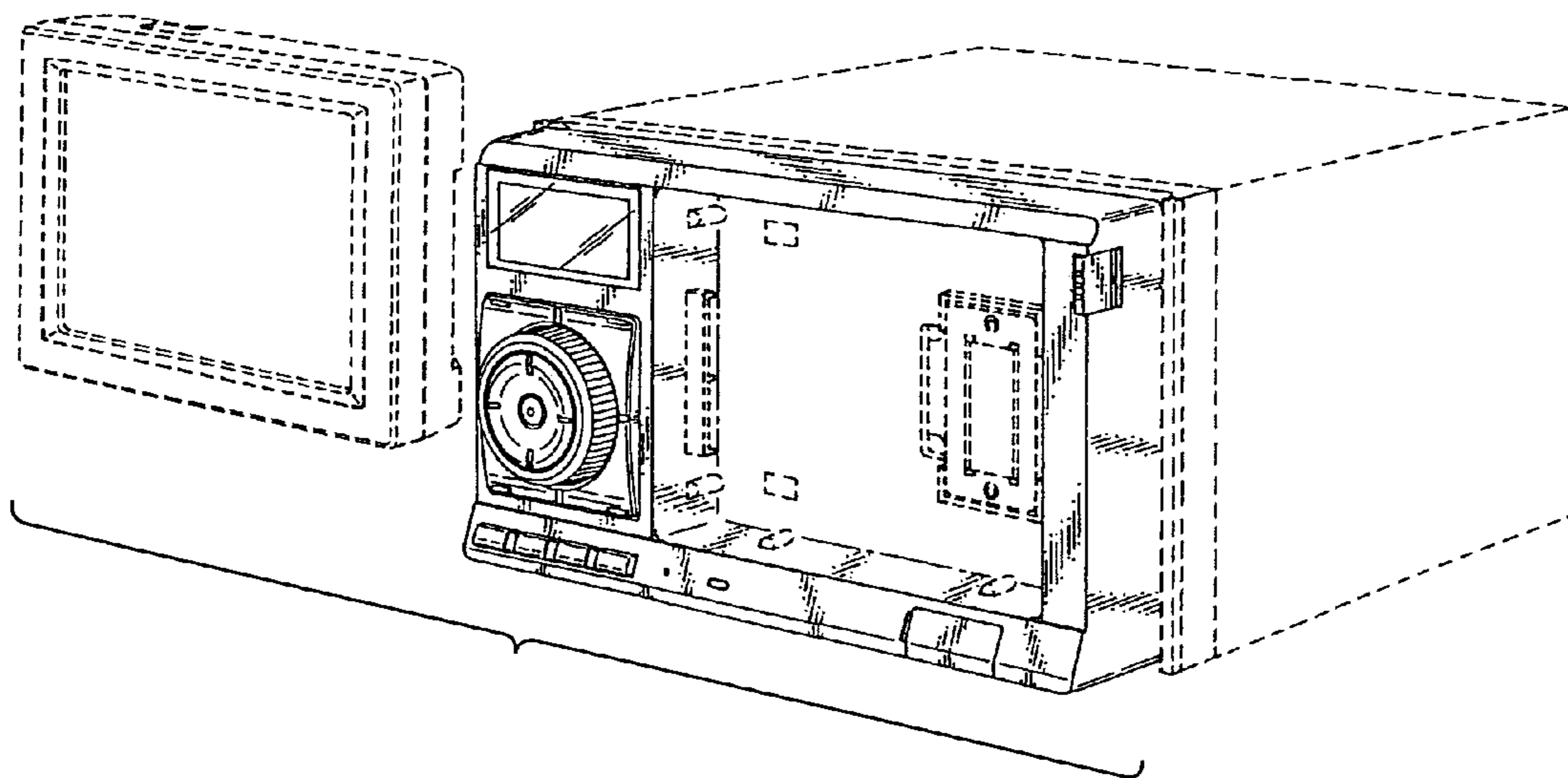


Fig.3

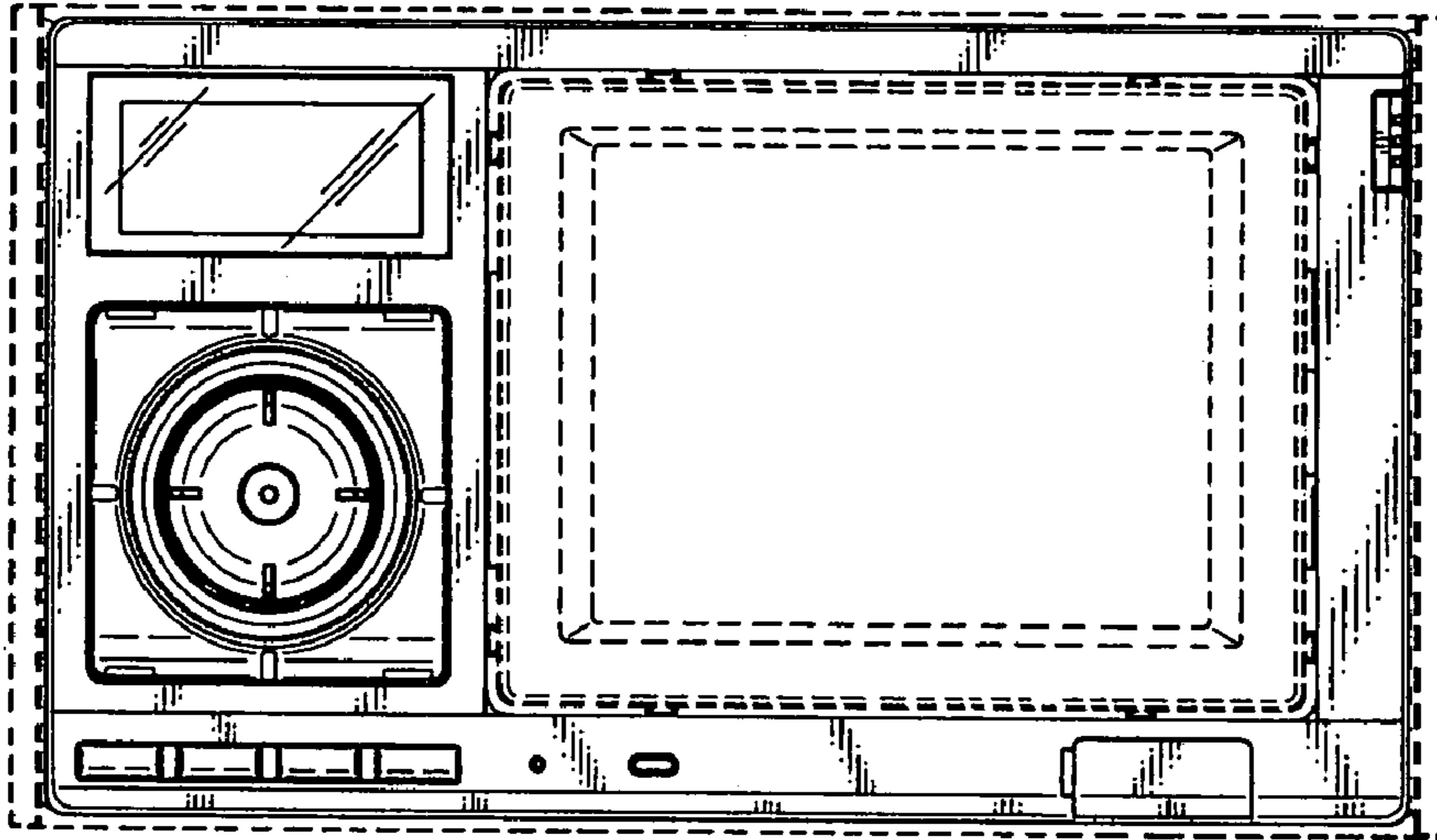


Fig.4

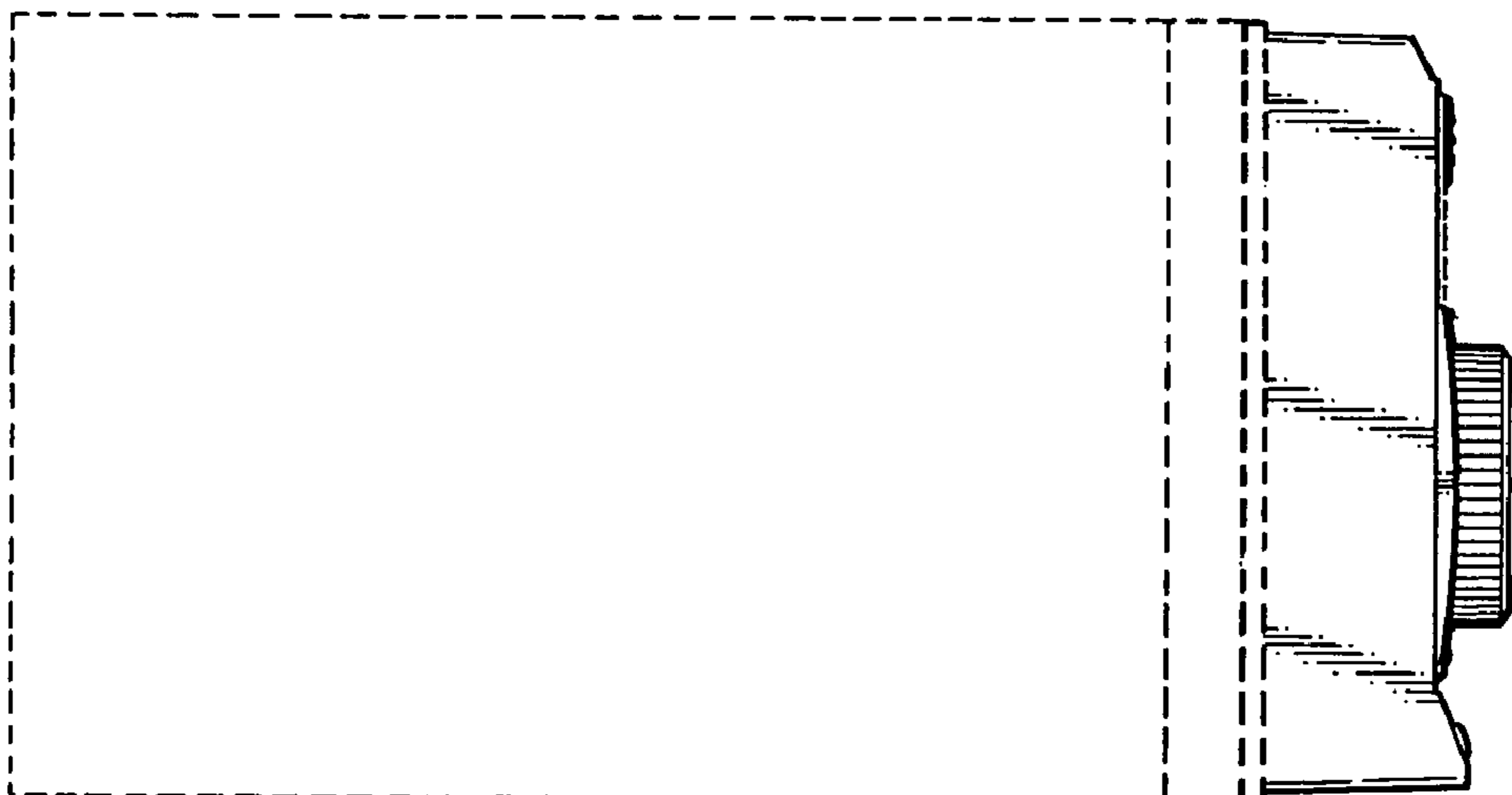


Fig.5

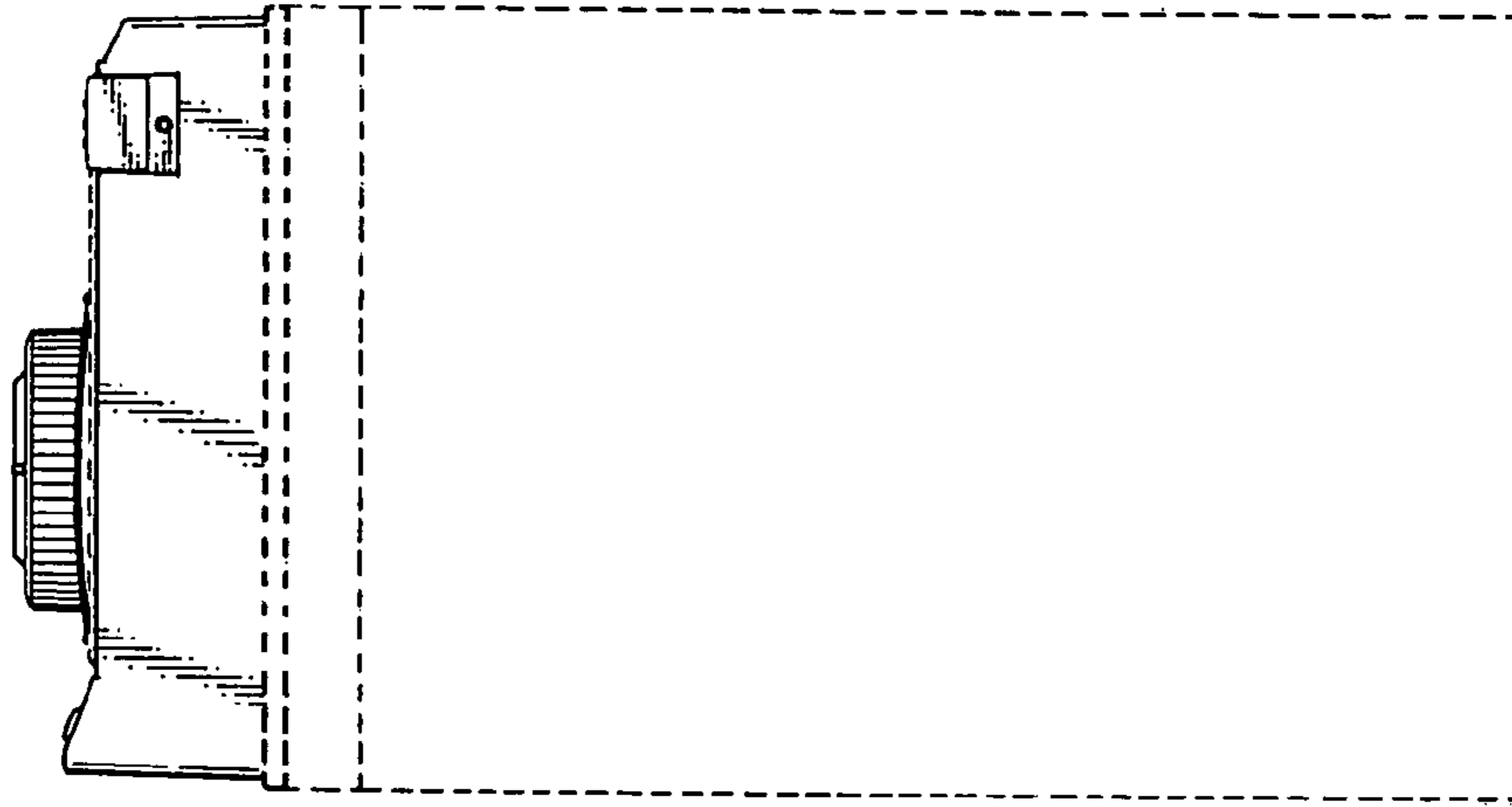


Fig.6

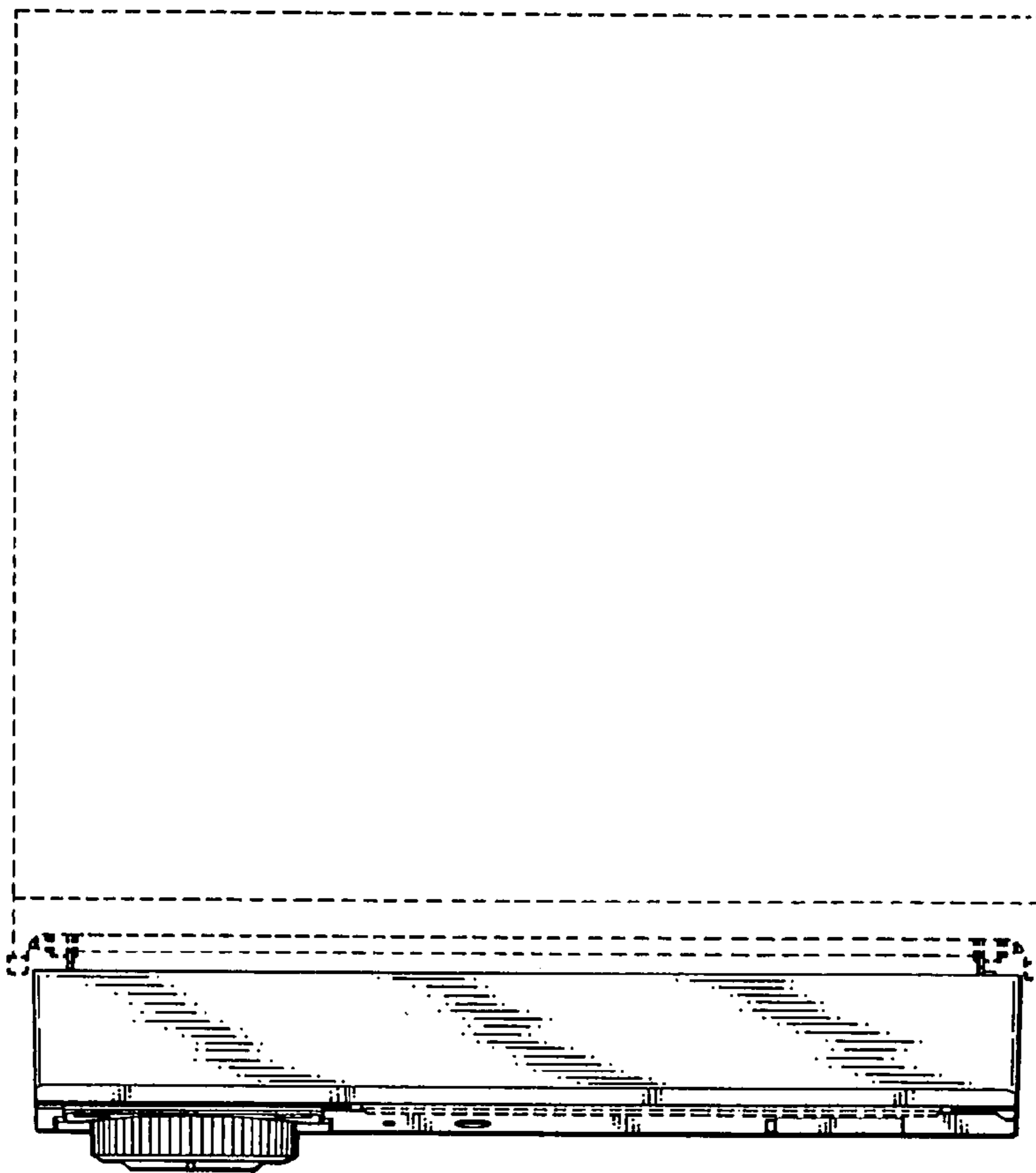


Fig.7

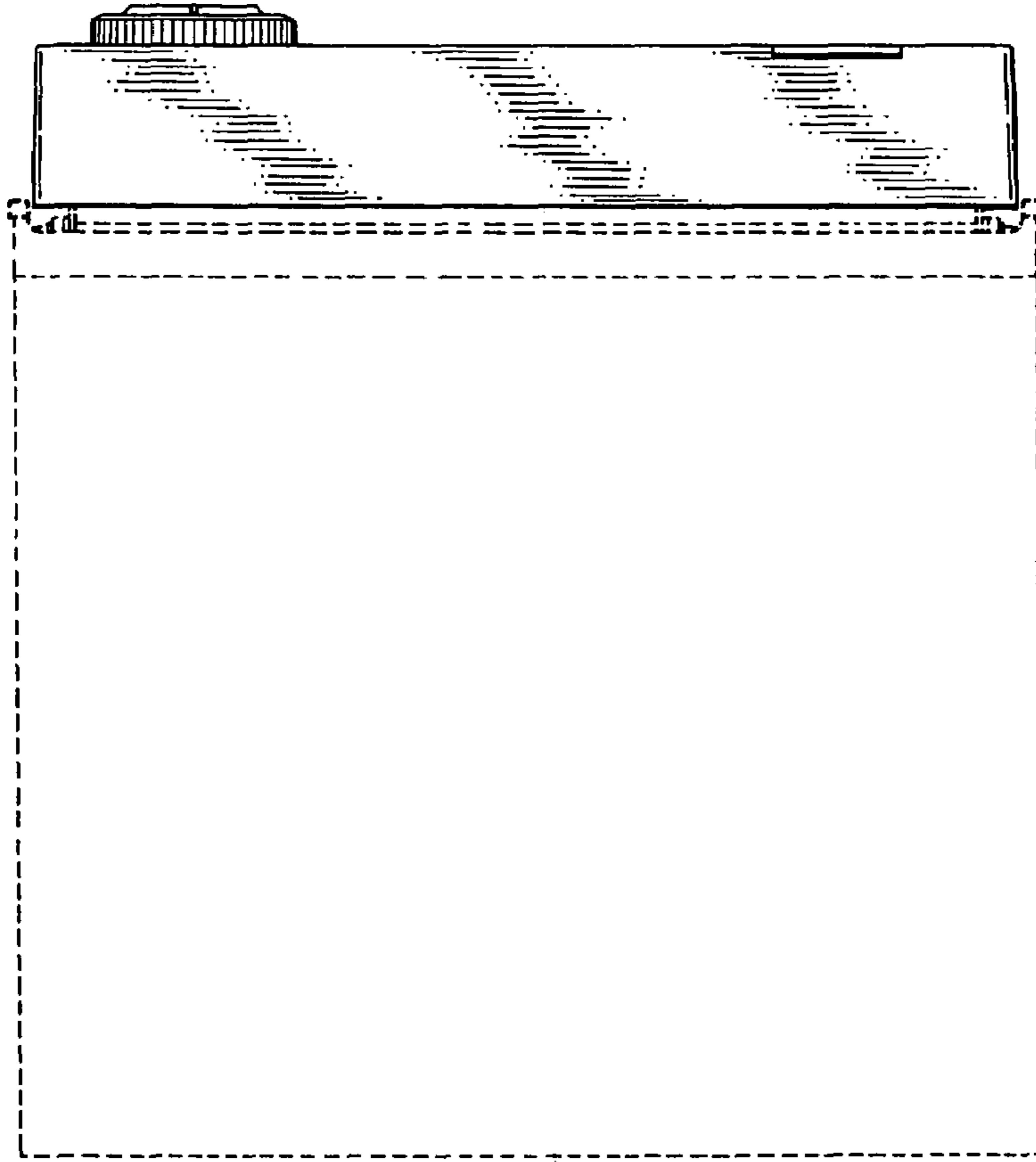


Fig.8

