



US00D579446S

(12) **United States Design Patent**
Imano et al.

(10) **Patent No.:** **US D579,446 S**
(45) **Date of Patent:** **** Oct. 28, 2008**

(54) **ANTENNA**

(75) Inventors: **Yoshiaki Imano**, Katagami (JP);
Kanenari Kusanagi, Katagami (JP);
Akira Miyoshi, Tama (JP)

(73) Assignee: **Mitsumi Electric Co., Ltd**, Tokyo (JP)

(**) Term: **14 Years**

(21) Appl. No.: **29/269,326**

(22) Filed: **Nov. 29, 2006**

(30) **Foreign Application Priority Data**

Aug. 31, 2006 (JP) 2006-023245

(51) **LOC (8) Cl.** **14-03**

(52) **U.S. Cl.** **D14/230**

(58) **Field of Classification Search** D14/138,
D14/230-238, 299, 358; D12/42, 43; 343/700 MS,
343/700 R-705, 711-713, 741, 748, 767,
343/795, 819, 840, 846, 866, 871-908; 455/90.2,
455/90.3, 91, 128, 269, 344, 347, 562.1
See application file for complete search history.

(56) **References Cited**

U.S. PATENT DOCUMENTS

4,803,491 A * 2/1989 Hikuma 343/702
5,451,965 A * 9/1995 Matsumoto 343/702

6,118,411 A * 9/2000 Hasegawa et al. 343/744
6,252,561 B1 * 6/2001 Wu et al. 343/866
6,424,304 B1 * 7/2002 Jan et al. 343/702
2006/0001579 A1 * 1/2006 Noro et al. 343/702
2007/0024503 A1 * 2/2007 Tsai et al. 343/700 MS
2007/0210965 A1 * 9/2007 Takada et al. 343/700 MS

* cited by examiner

Primary Examiner—Robert M. Spear
Assistant Examiner—John Windmuller
(74) *Attorney, Agent, or Firm*—Sughrue Mion, PLLC

(57) **CLAIM**

The ornamental design for an antenna, as shown.

DESCRIPTION

FIG. 1 is a front perspective view of an antenna showing our new design;

FIG. 2 is a rear perspective view thereof;

FIG. 3 is a front elevational view thereof;

FIG. 4 is a rear elevational view thereof;

FIG. 5 is a top plan view thereof;

FIG. 6 is a bottom plan view thereof;

FIG. 7 is a right side elevational view thereof; and,

FIG. 8 is a left side elevational view thereof.

1 Claim, 4 Drawing Sheets

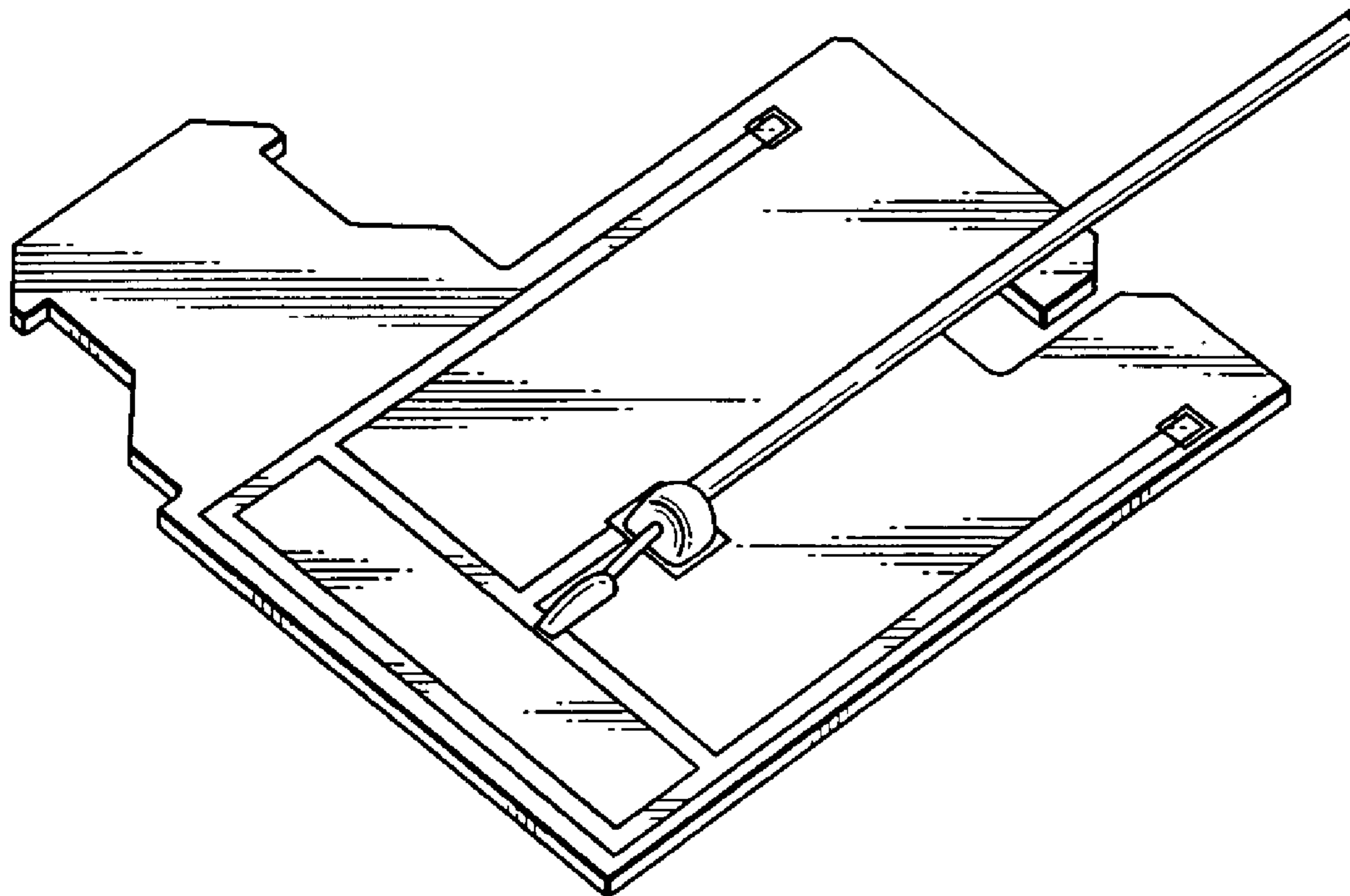


FIG.1

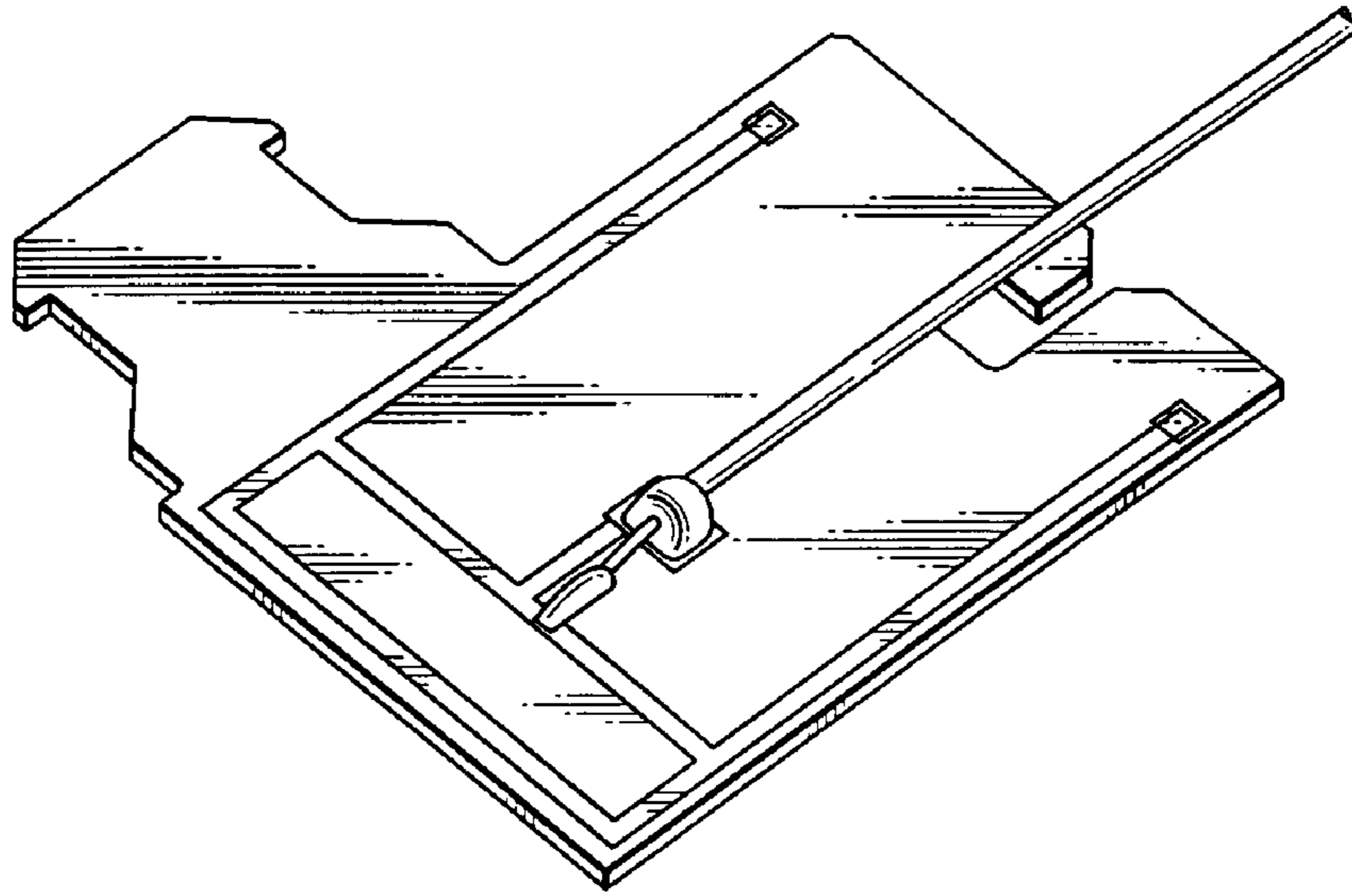


FIG.2

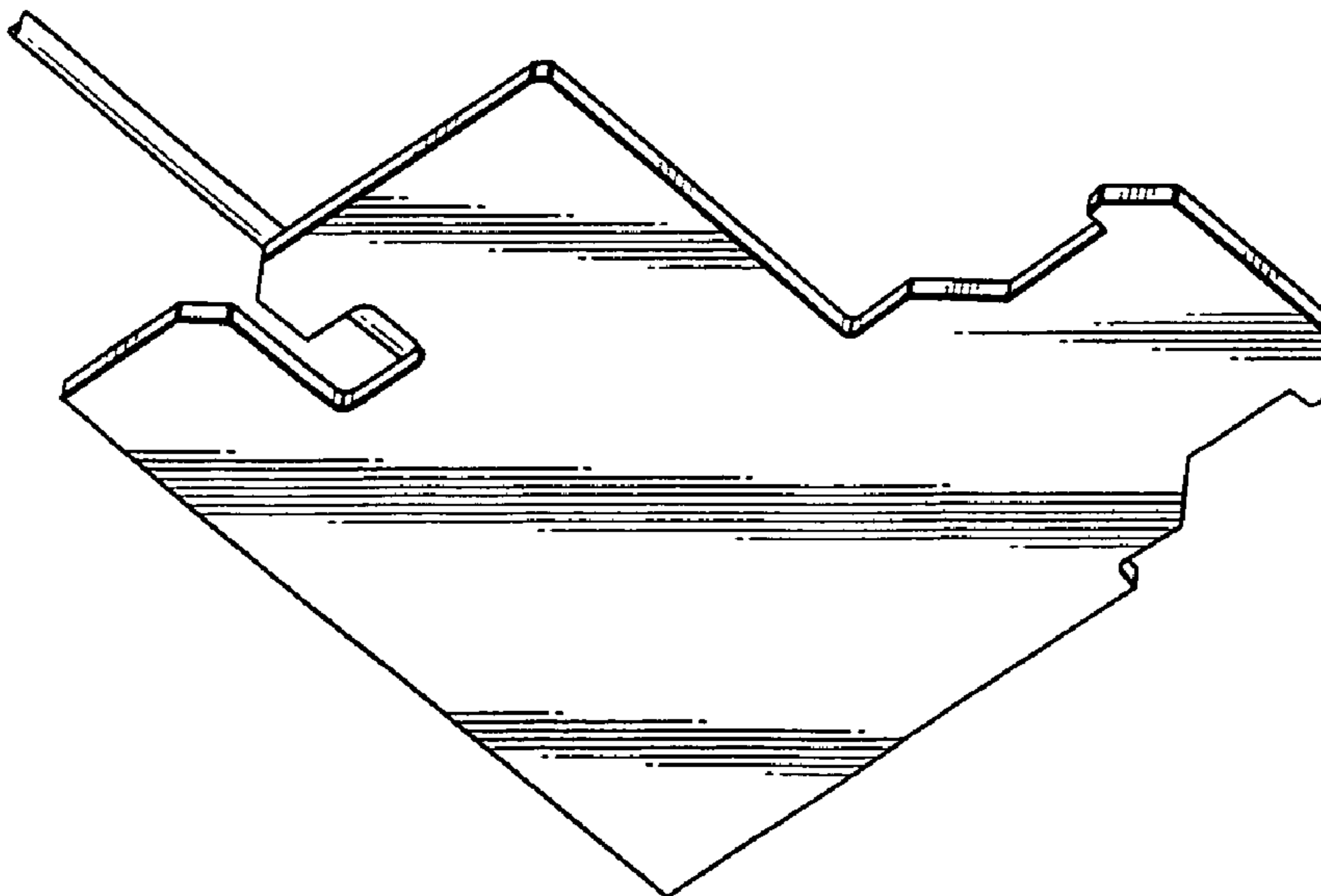


FIG.3



FIG.4



FIG.5

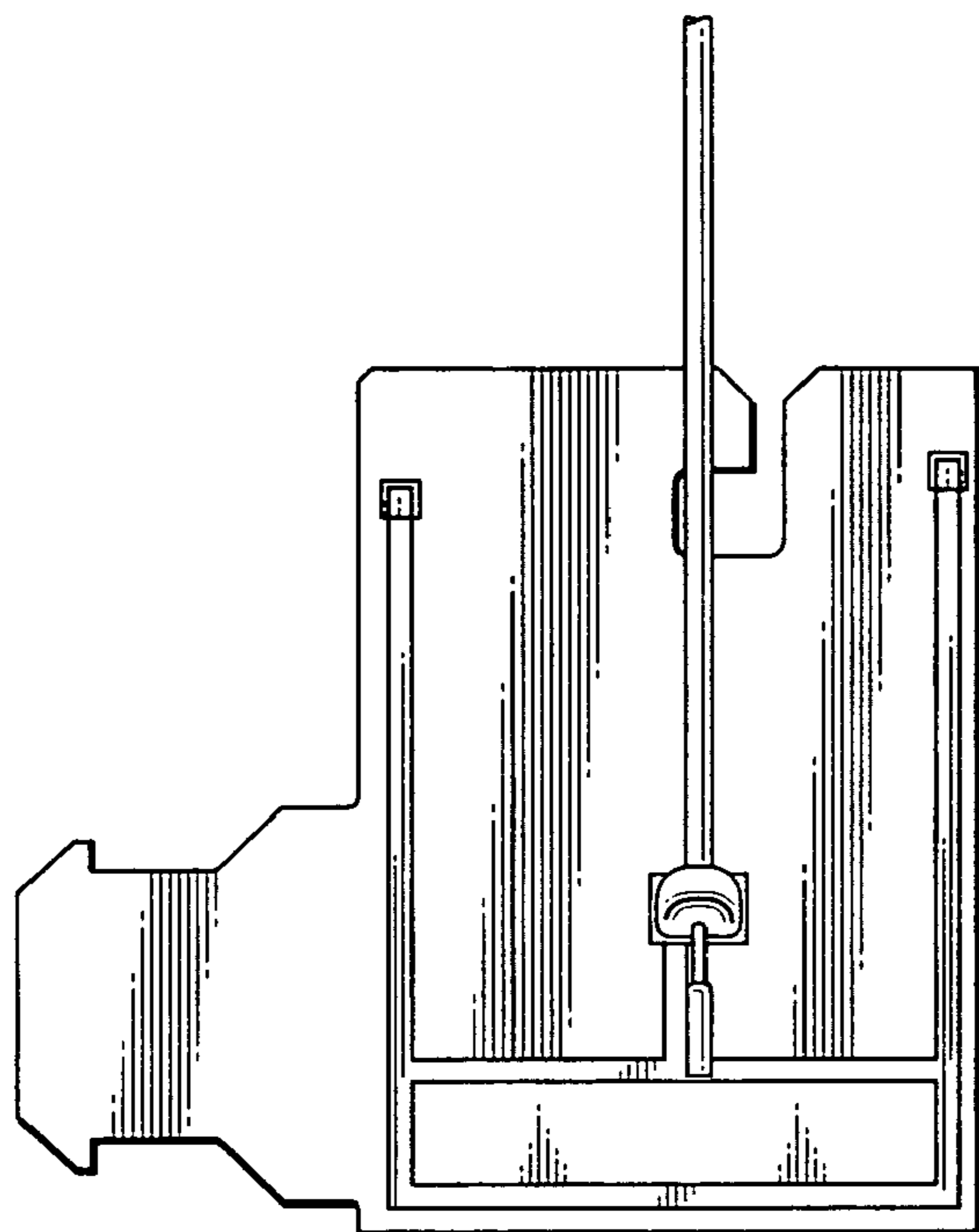


FIG.6

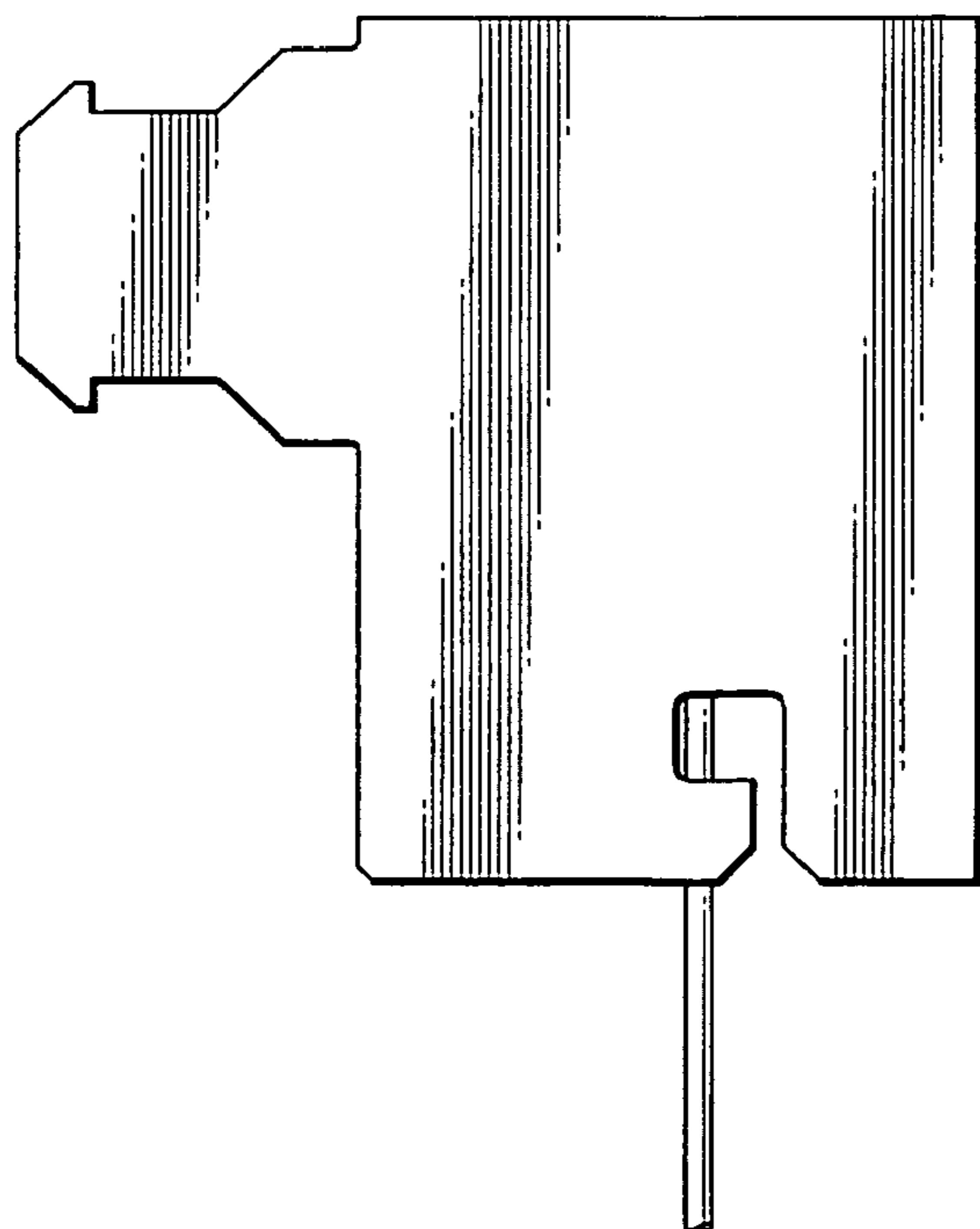


FIG.7

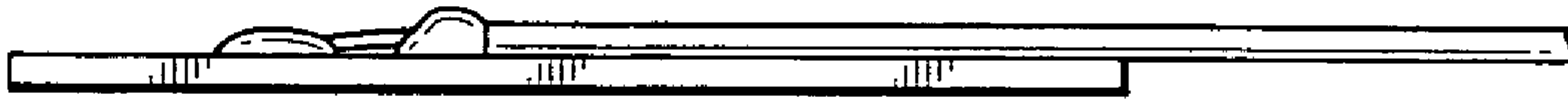


FIG.8

