



US00D579441S

(12) **United States Design Patent**
Okamura et al.

(10) **Patent No.:** **US D579,441 S**

(45) **Date of Patent:** **** Oct. 28, 2008**

(54) **COMBINED SPEAKER AND AMPLIFIER**

(75) Inventors: **Sunao Okamura**, Hamamatsu (JP);
Nobushiro Aiba, Hamamatsu (JP)

(73) Assignee: **Yamaha Corporation**, Hamamatsu-shi
(JP)

(**) Term: **14 Years**

(21) Appl. No.: **29/299,094**

(22) Filed: **Dec. 19, 2007**

(30) **Foreign Application Priority Data**

Jul. 20, 2007 (JP) 2007-019738

(51) **LOC (8) Cl.** **14-01**

(52) **U.S. Cl.** **D14/172; D14/215; D14/168**

(58) **Field of Classification Search** D14/204,
D14/209-216, 162, 168, 172, 496, 188, 194,
D14/197; 181/143-144, 147-148, 150, 157,
181/198-199, 151, 153; 381/300-302, 306,
381/333, 345, 361-364, 386-388, 332, 336
See application file for complete search history.

(56) **References Cited**

U.S. PATENT DOCUMENTS

D489,355 S * 5/2004 Yeh D14/188

D500,305 S * 12/2004 Lin et al. D14/215

D533,541 S * 12/2006 Motoishi D14/215

D540,784 S * 4/2007 Yoon D14/215

D548,222 S * 8/2007 Kim D14/214

* cited by examiner

Primary Examiner—Nanda Bondade

(74) *Attorney, Agent, or Firm*—Sughrue Mion, PLLC

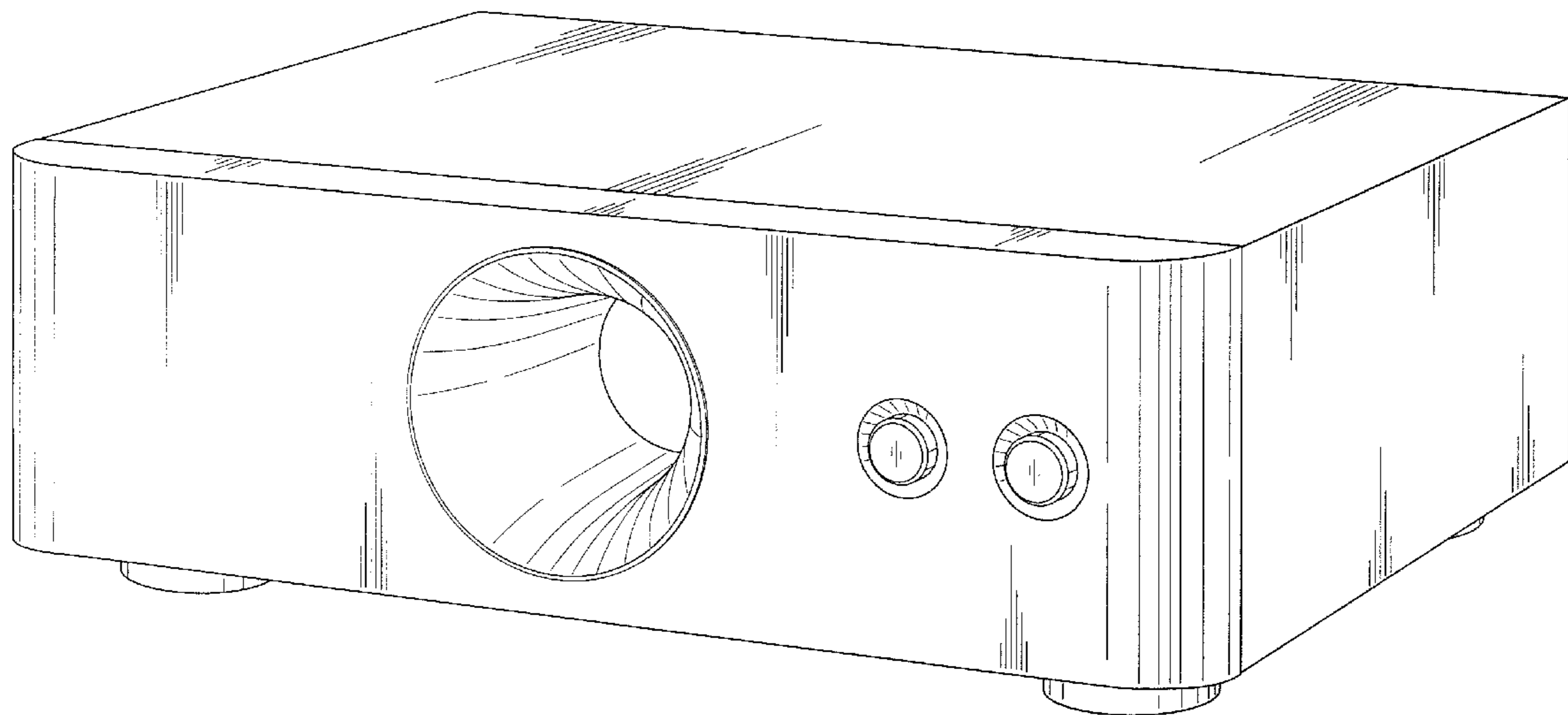
(57) **CLAIM**

The ornamental design for a combined speaker and amplifier,
as shown.

DESCRIPTION

FIG. 1 is a perspective view of the top, front and right side of
a combined speaker and amplifier showing our new design;
FIG. 2 is a front elevational view thereof;
FIG. 3 is a rear elevational view thereof;
FIG. 4 is a top plan view thereof;
FIG. 5 is a bottom plan view thereof;
FIG. 6 is a left side elevational view thereof; and,
FIG. 7 is a right side elevational view thereof.

1 Claim, 5 Drawing Sheets



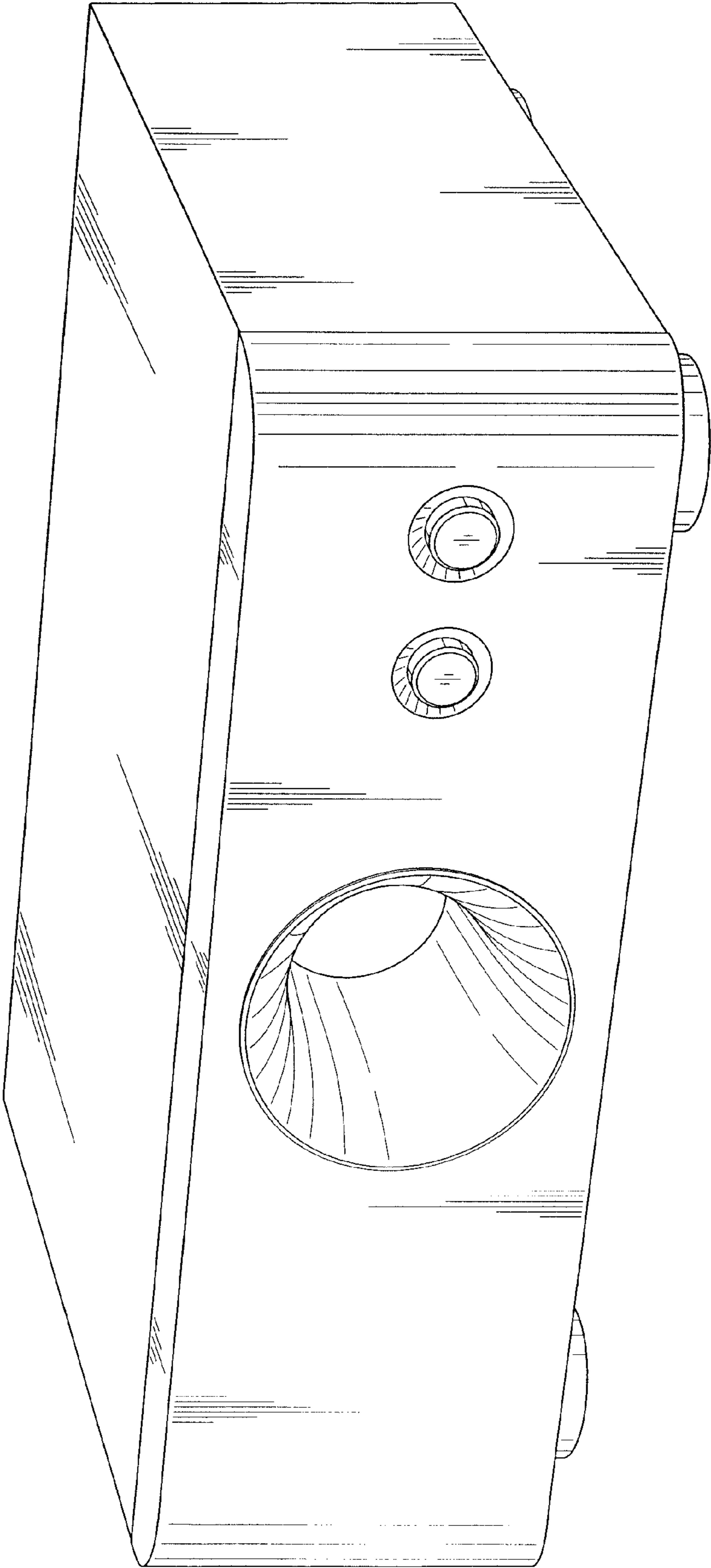


FIG. 1

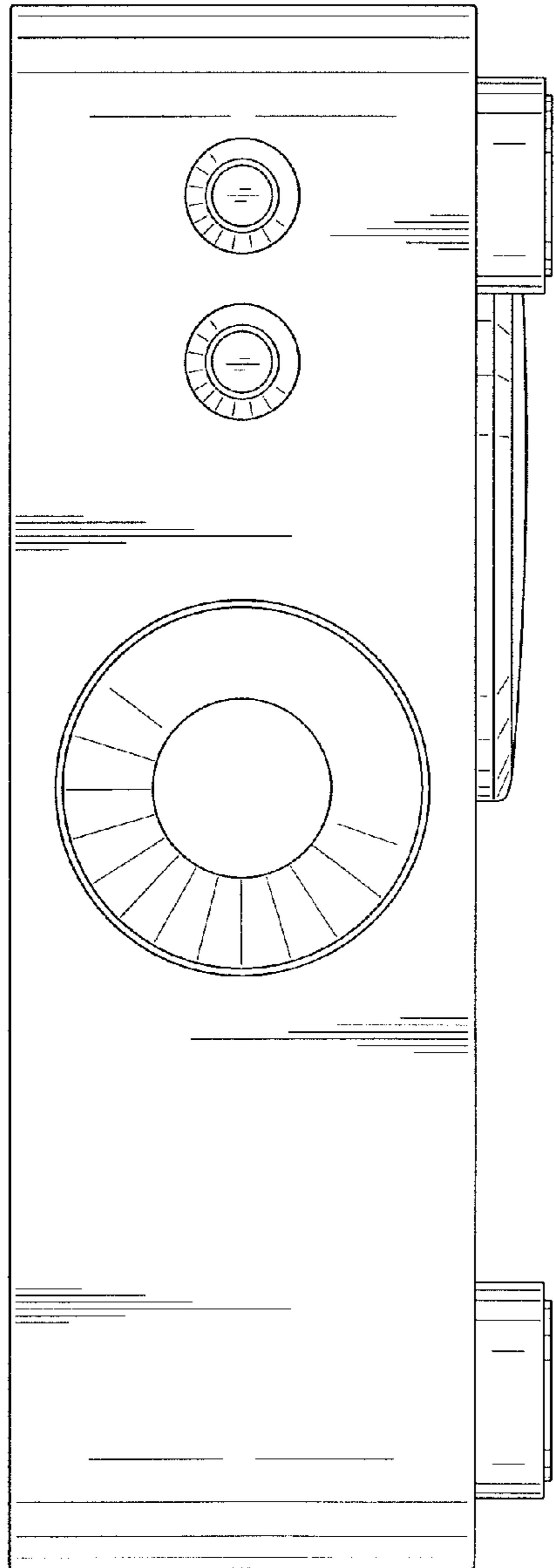


FIG. 2

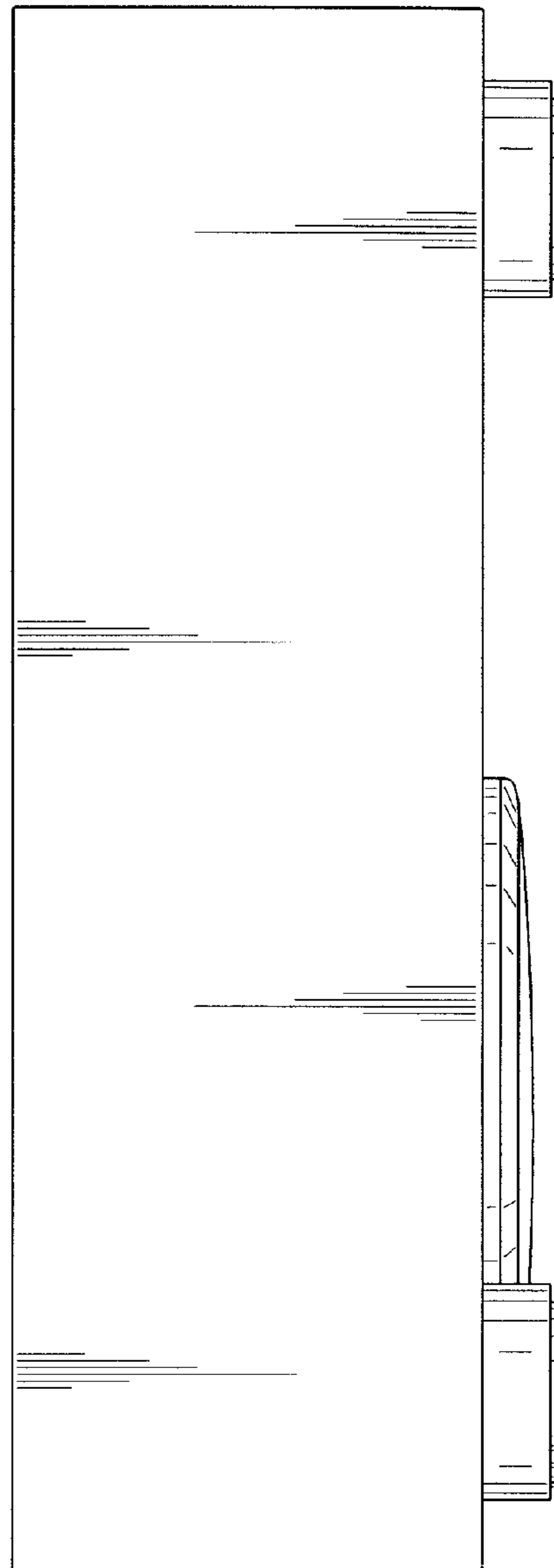


FIG. 3

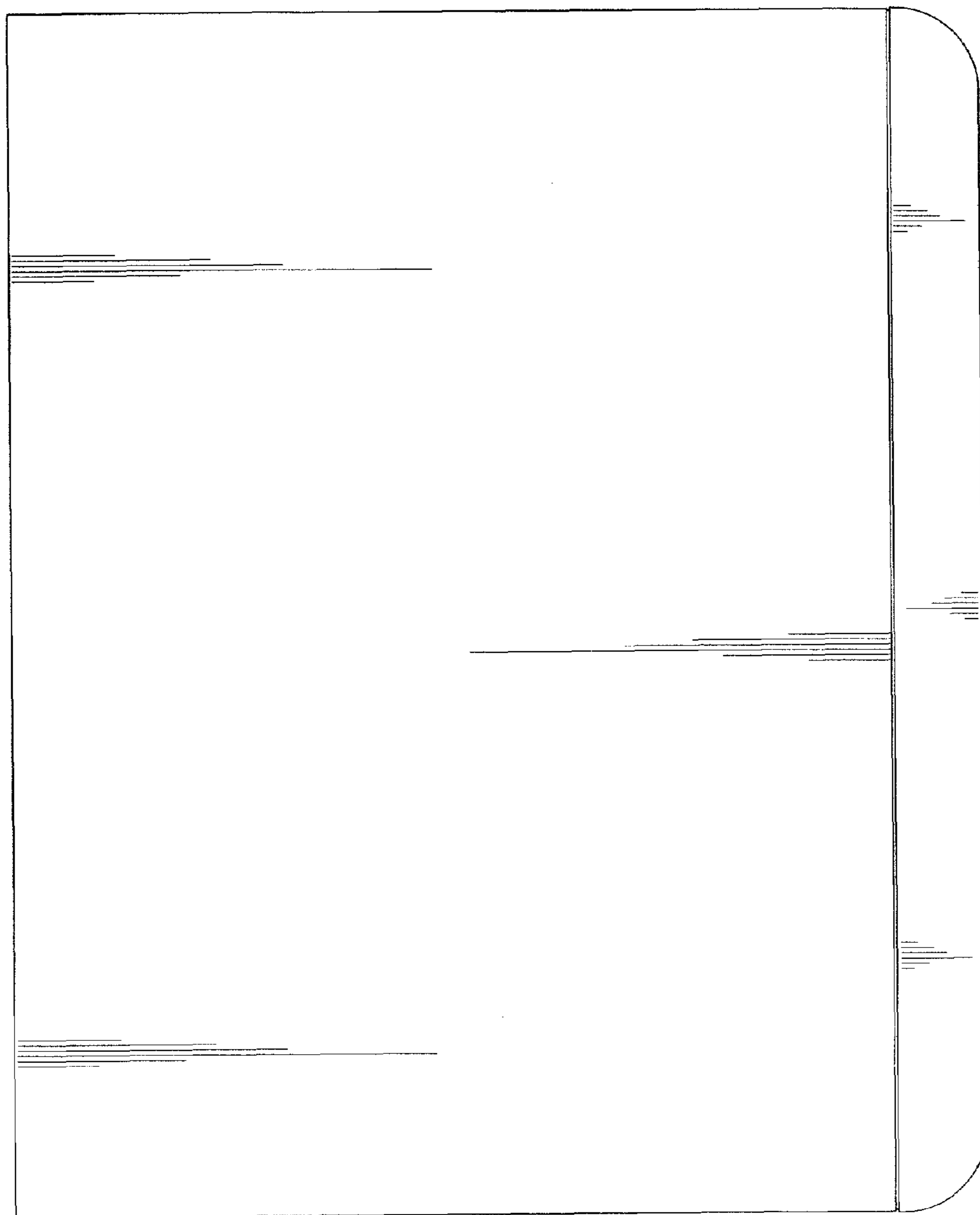


FIG. 4

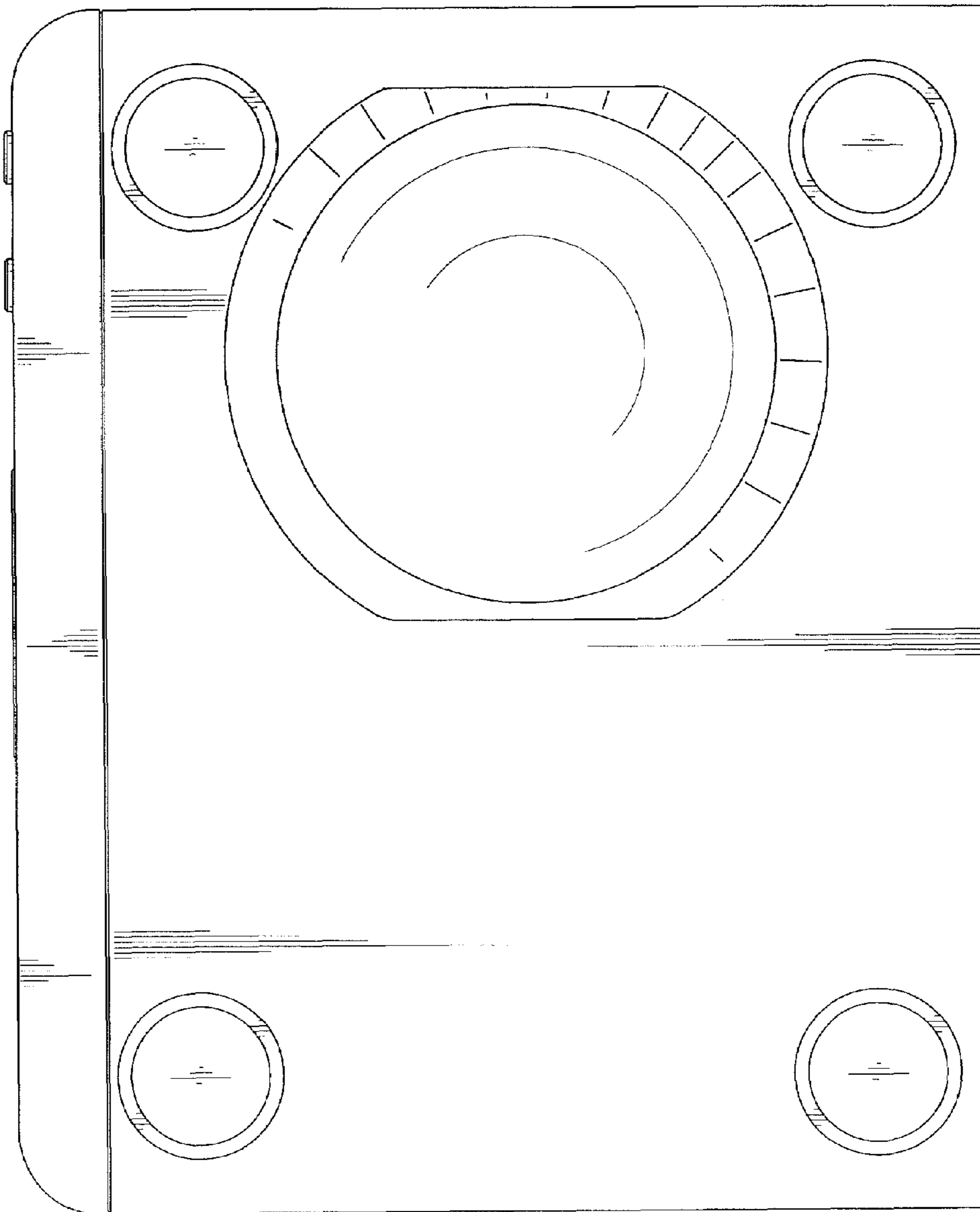


FIG. 5

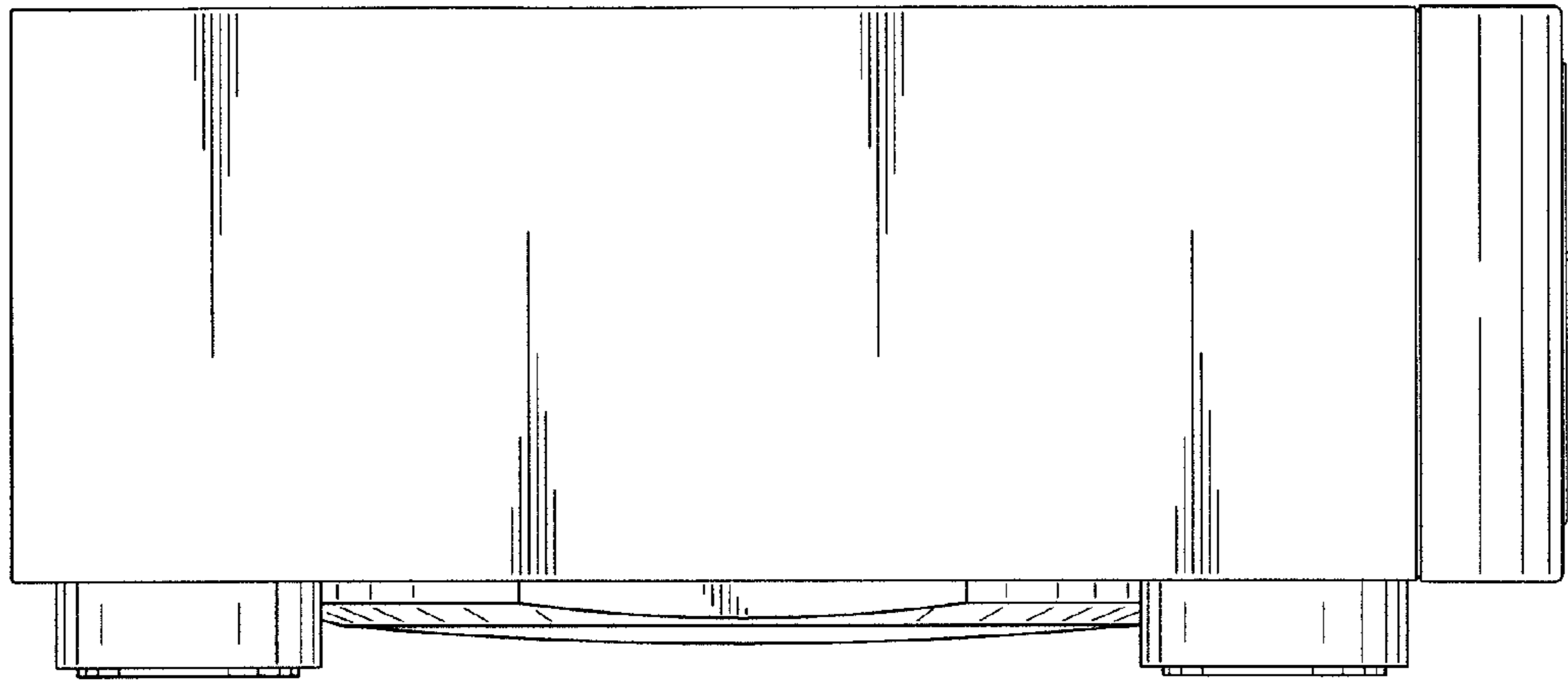


FIG. 6

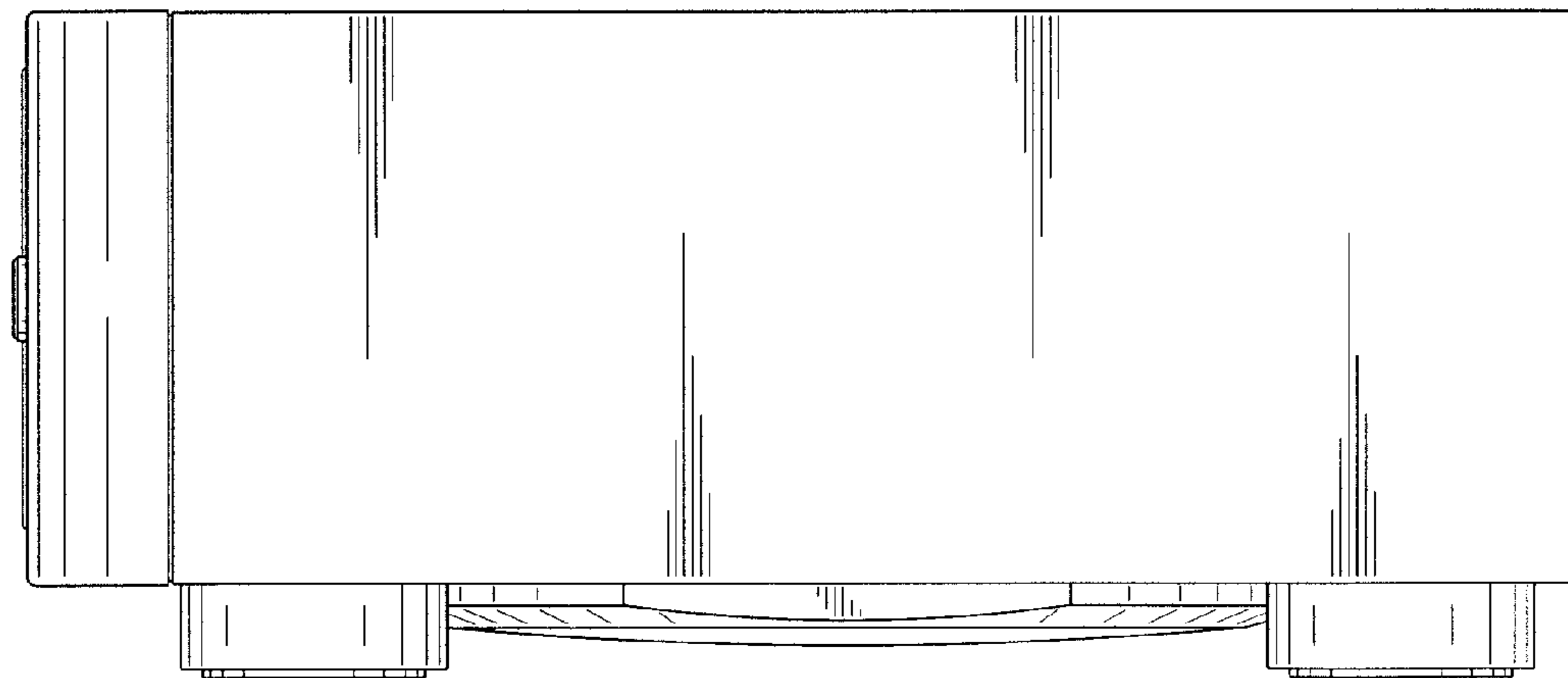


FIG. 7