



US00D579425S

(12) **United States Design Patent**
Yoon et al.

(10) **Patent No.:** **US D579,425 S**

(45) **Date of Patent:** **** Oct. 28, 2008**

(54) **LIGHT-EMITTING DIODE**

(75) Inventors: **Jae Joon Yoon**, Gyunggi-do (KR); **Sung Soo Park**, Gyunggi-do (KR); **Hyouon Soo Shin**, Seoul (KR)

(73) Assignee: **Samsung Electro-Mechanics Co., Ltd.**, Gyunggi-Do (KR)

(**) Term: **14 Years**

(21) Appl. No.: **29/290,398**

(22) Filed: **Nov. 30, 2007**

(30) **Foreign Application Priority Data**

Jun. 1, 2007 (KR) 30-2007-0023692

(51) **LOC (8) Cl.** **13-03**

(52) **U.S. Cl.** **D13/180**

(58) **Field of Classification Search** D13/180;
D26/2; 257/79, 80, 81, 88, 89, 95, 98, 99,
257/100; 313/483, 498, 500; 362/555, 800
See application file for complete search history.

(56) **References Cited**

U.S. PATENT DOCUMENTS

D489,692 S * 5/2004 Ishida D13/180
D490,062 S * 5/2004 Ishida D13/180
D509,487 S * 9/2005 Ishida D13/180
6,953,952 B2 * 10/2005 Asakawa 257/103

D538,760 S * 3/2007 Song et al. D13/180
D550,170 S * 9/2007 Yoon et al. D13/180
D551,181 S * 9/2007 Son D13/180
D558,693 S * 1/2008 Shin et al. D13/180
2006/0023451 A1 * 2/2006 Han et al. 362/249
2006/0284203 A1 * 12/2006 Han et al. 257/98

FOREIGN PATENT DOCUMENTS

KR 30-2003-0015809 4/2004

* cited by examiner

Primary Examiner—Selina Sikder

(74) *Attorney, Agent, or Firm*—McDermott Will & Emery LLP

(57) **CLAIM**

The ornamental design for the light-emitting diode, as shown and described.

DESCRIPTION

FIG. 1 is the perspective view of the light-emitting diode

FIG. 2 is the front view thereof

FIG. 3 is the rear view thereof

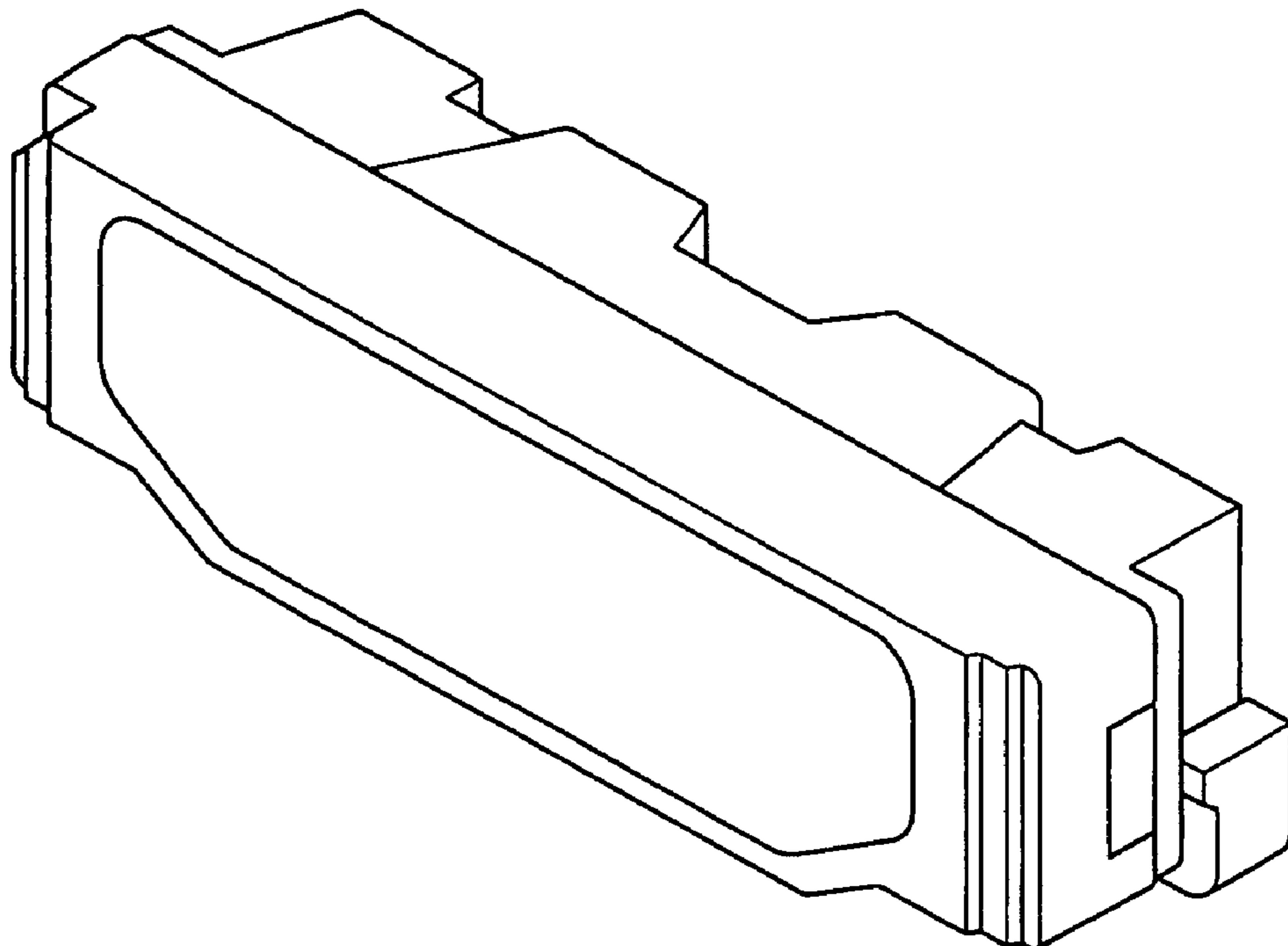
FIG. 4 is the left side view thereof

FIG. 5 is the right side view thereof

FIG. 6 is the top plan view thereof; and,

FIG. 7 is the bottom view thereof.

1 Claim, 2 Drawing Sheets



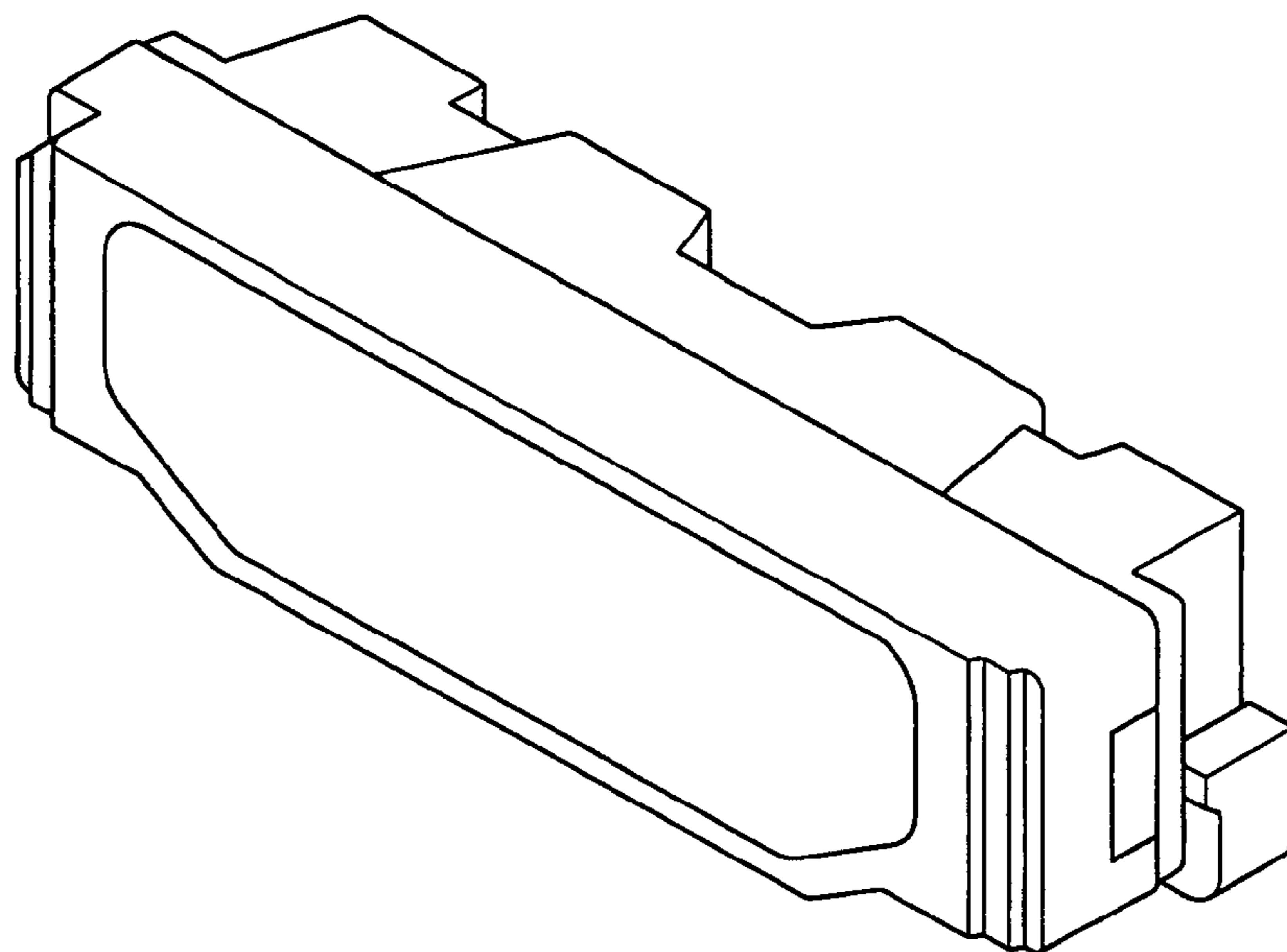


FIG. 1

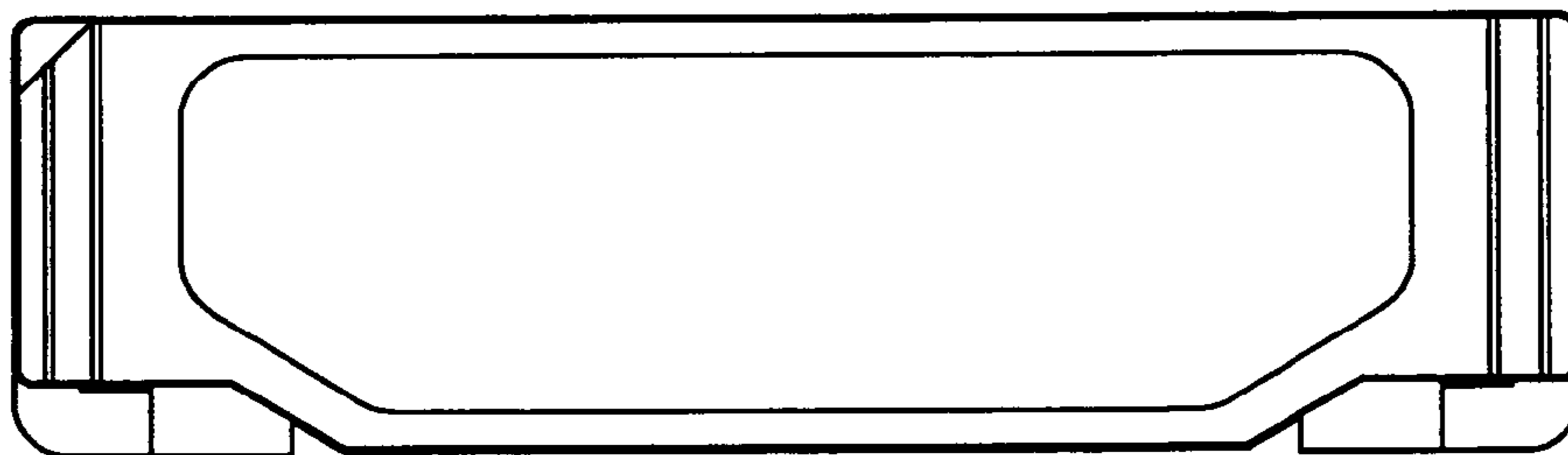


FIG. 2

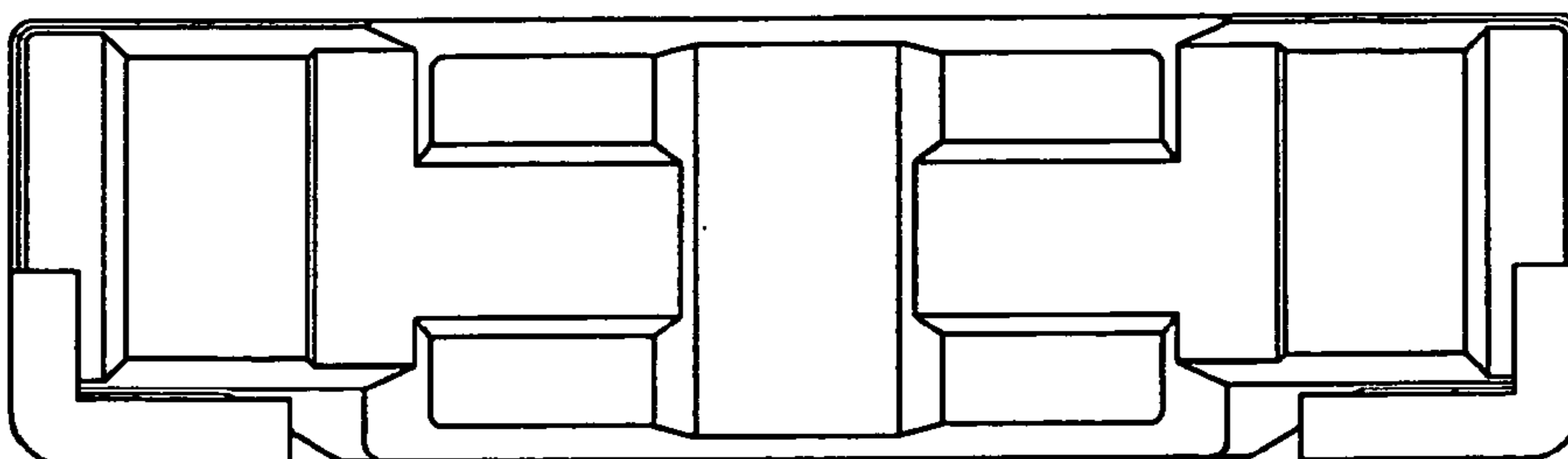


FIG. 3

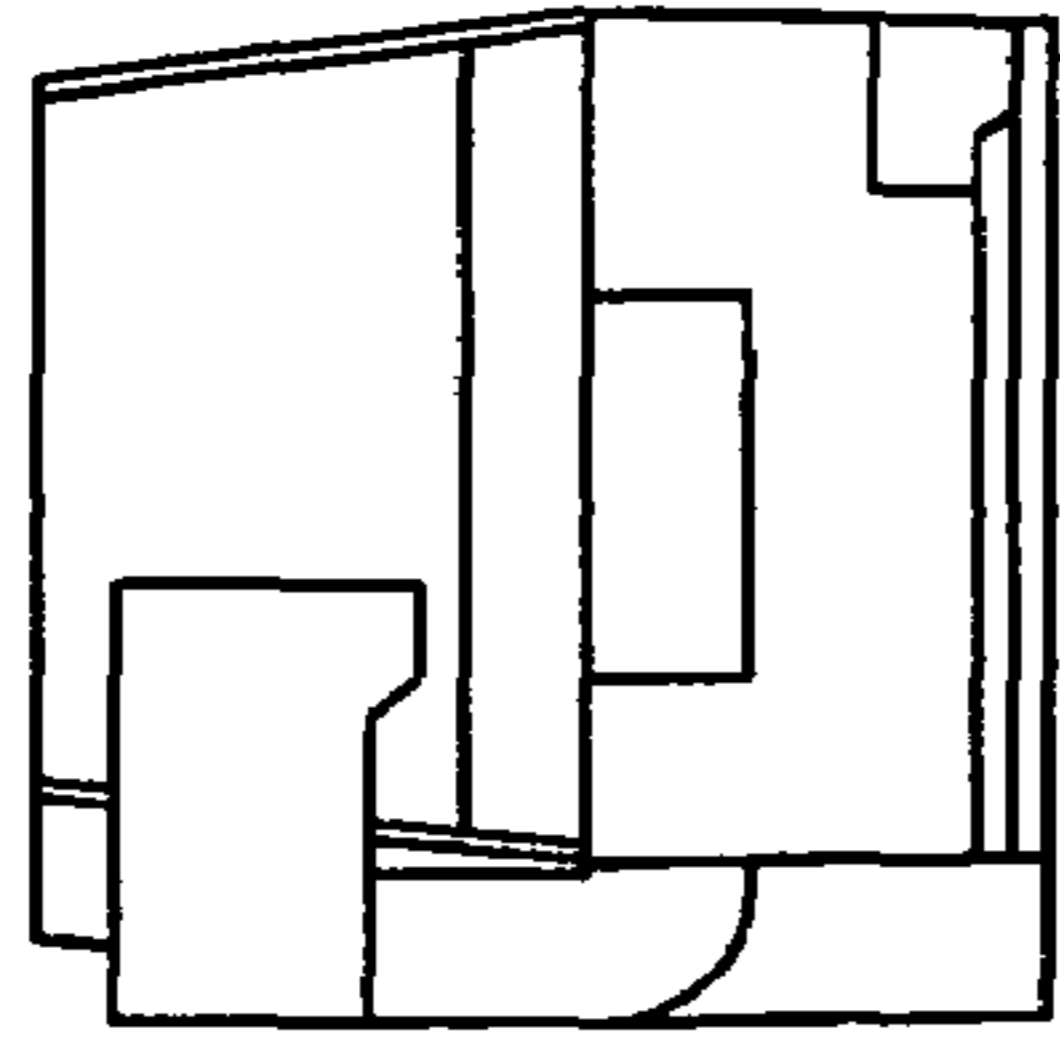


FIG. 4

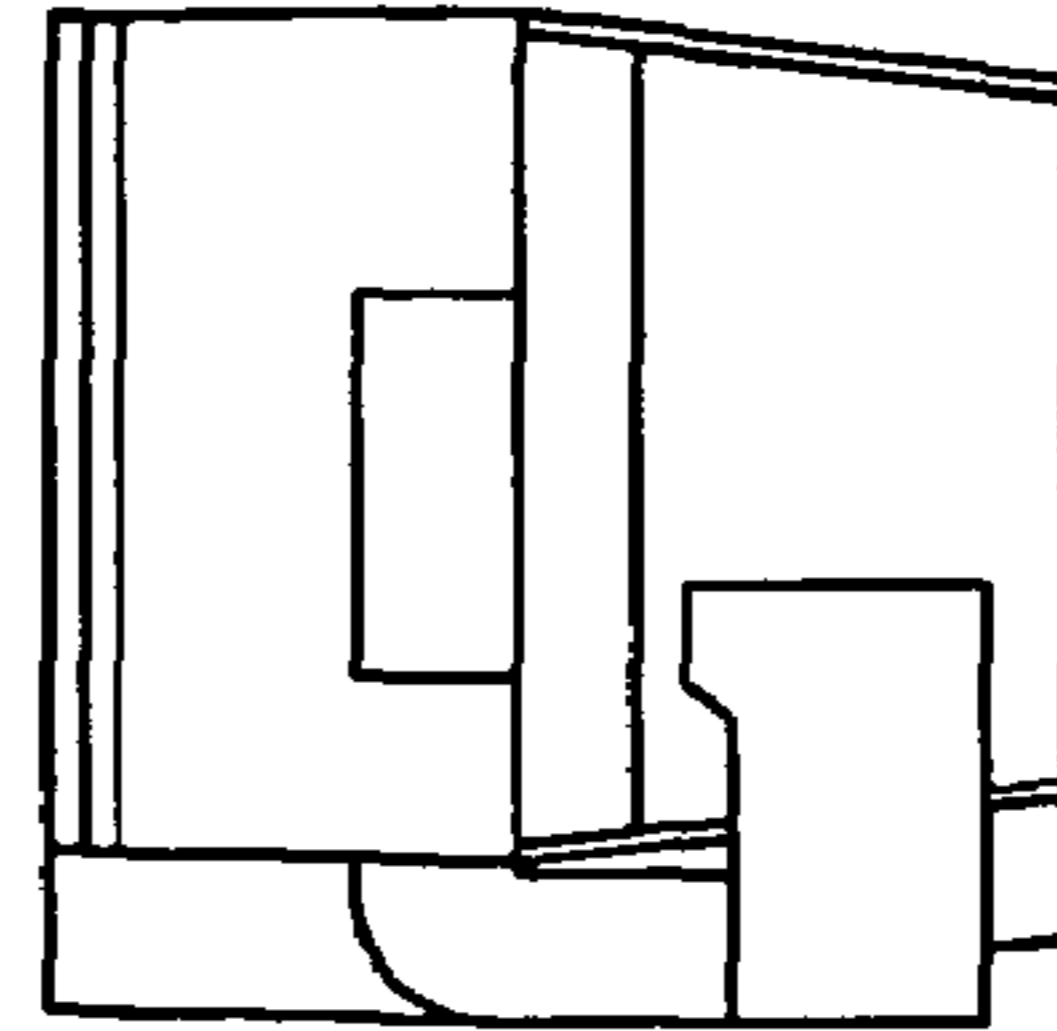


FIG. 5

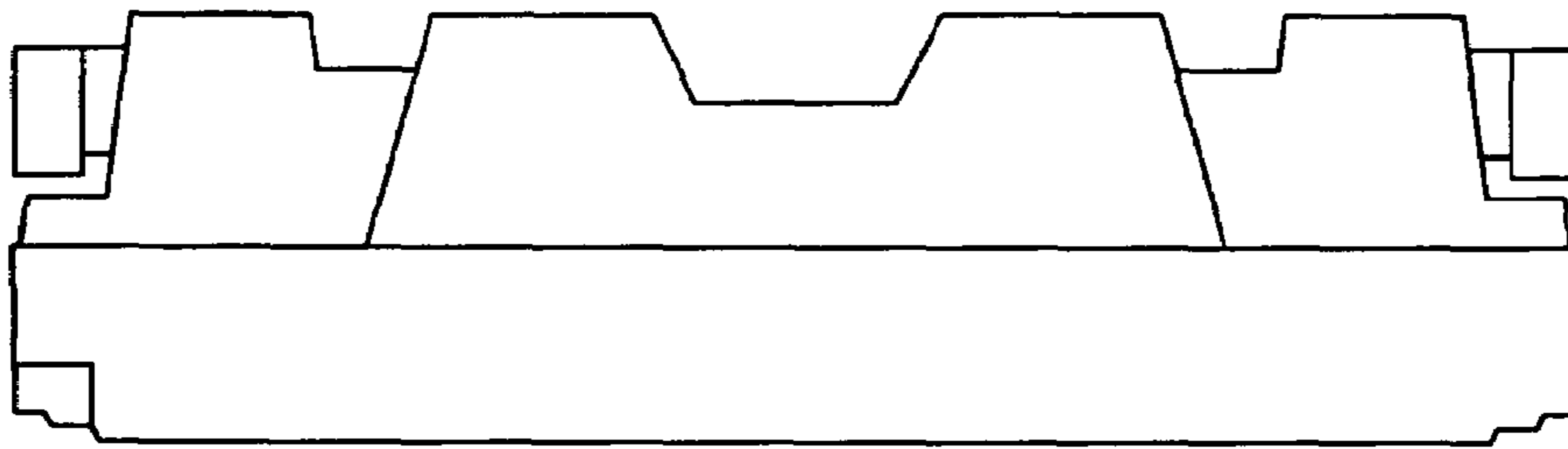


FIG. 6

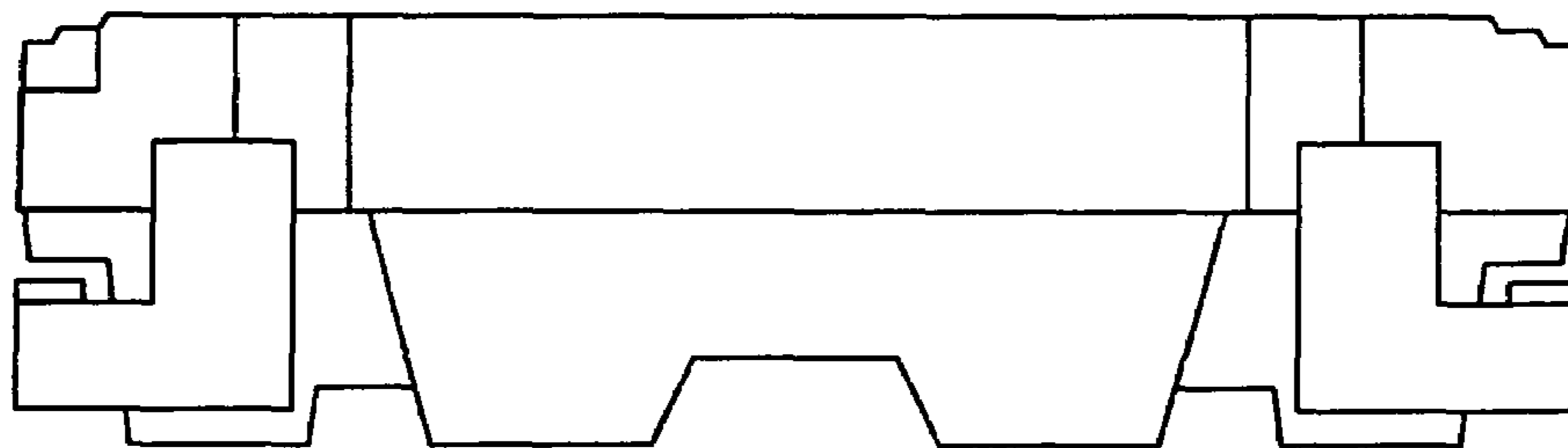


FIG. 7