



US00D579424S

(12) **United States Design Patent**  
**Kim et al.**

(10) **Patent No.:** **US D579,424 S**  
(45) **Date of Patent:** **\*\* Oct. 28, 2008**

(54) **LIGHT EMITTING DIODE (LED)**

(76) Inventors: **Do Hyung Kim**, 425dong 1604ho, Yeonggot Maeul Byuksan Apt., 873-3, Jeongja 1(il)-dong, Jangan-gu, Suwon-si, Gyeonggi-do (KR) 440-841; **Jong Kook Lee**, 106dong 602ho, Samha nawoo villa, 2-16, Sinwol-ri, Seonggeo-eup, Cheonan-si, Chungcheongnam (KR) 330-835; **Seok Jin Kang**, (202 ho) 44-3, Cheongnyangni-dong, Dongdaemun-gu, Seoul (KR) 130-010; **Won Cho**, 1410-604ho, Greenville Apt., Choji-dong, Danwon-gu, Ansan-si, Gyeonggi-do (KR) 425-876

(\*\*) Term: **14 Years**  
(21) Appl. No.: **29/277,821**  
(22) Filed: **Mar. 9, 2007**

**Related U.S. Application Data**

(60) Continuation of application No. 29/263,651, filed on Jul. 26, 2006, now Pat. No. Des. 542,743, which is a division of application No. 29/236,857, filed on Aug. 22, 2005, now Pat. No. Des. 534,503.

(51) **LOC (8) Cl.** ..... **13-03**  
(52) **U.S. Cl.** ..... **D13/180**  
(58) **Field of Classification Search** ..... D13/180;  
D26/2; 257/79, 80, 81, 82, 88, 89, 95, 98,  
257/99, 100, 678, 680, 433, 434; 313/483,  
313/498, 500; 361/820; 362/555, 800  
See application file for complete search history.

(56) **References Cited**

**U.S. PATENT DOCUMENTS**

6,061,160 A \* 5/2000 Maruyama ..... 398/201  
6,274,890 B1 \* 8/2001 Oshio et al. .... 257/98  
6,274,924 B1 \* 8/2001 Carey et al. .... 257/676  
6,541,800 B2 \* 4/2003 Barnett et al. .... 257/98  
D477,580 S \* 7/2003 Kamada ..... D13/182  
D509,489 S \* 9/2005 Kamada ..... D13/180

2006/0071222 A1 \* 4/2006 Yatsuda et al. .... 257/90  
2007/0045823 A1 \* 3/2007 Miller ..... 257/706

\* cited by examiner

*Primary Examiner*—Selina Sikder  
(74) *Attorney, Agent, or Firm*—Townsend & Townsend & Crew LLP

(57) **CLAIM**

The ornamental designs for the light emitting diode (LED), as shown and described.

**DESCRIPTION**

FIG. 1 is a perspective view of a first embodiment of a light emitting diode (LED) showing our new design.

FIG. 2 is a front elevational view thereof, wherein a rear elevational view (not shown) is the same as with the front elevational view.

FIG. 3 is a left side elevational view thereof.

FIG. 4 is a right side elevational view thereof.

FIG. 5 is a top plan view thereof.

FIG. 6 is a bottom plan view thereof.

FIG. 7 is a cross-sectional view that cuts along the line VII—VII of FIG. 5.

FIG. 8 is a perspective view of a second embodiment of a light emitting diode (LED).

FIG. 9 is a front elevational view of the embodiment of FIG. 8, wherein a rear elevational view (not shown) is the same as with the front elevational view.

FIG. 10 is a left side elevational view of the embodiment of FIG. 8.

FIG. 11 is a right side elevational view of the embodiment of FIG. 8.

FIG. 12 is a top plan view of the embodiment of FIG. 8.

FIG. 13 is a bottom plan view of the embodiment of FIG. 8; and,

FIG. 14 is a cross-sectional view that cuts along the line of XIV—XIV of FIG. 12.

**1 Claim, 7 Drawing Sheets**

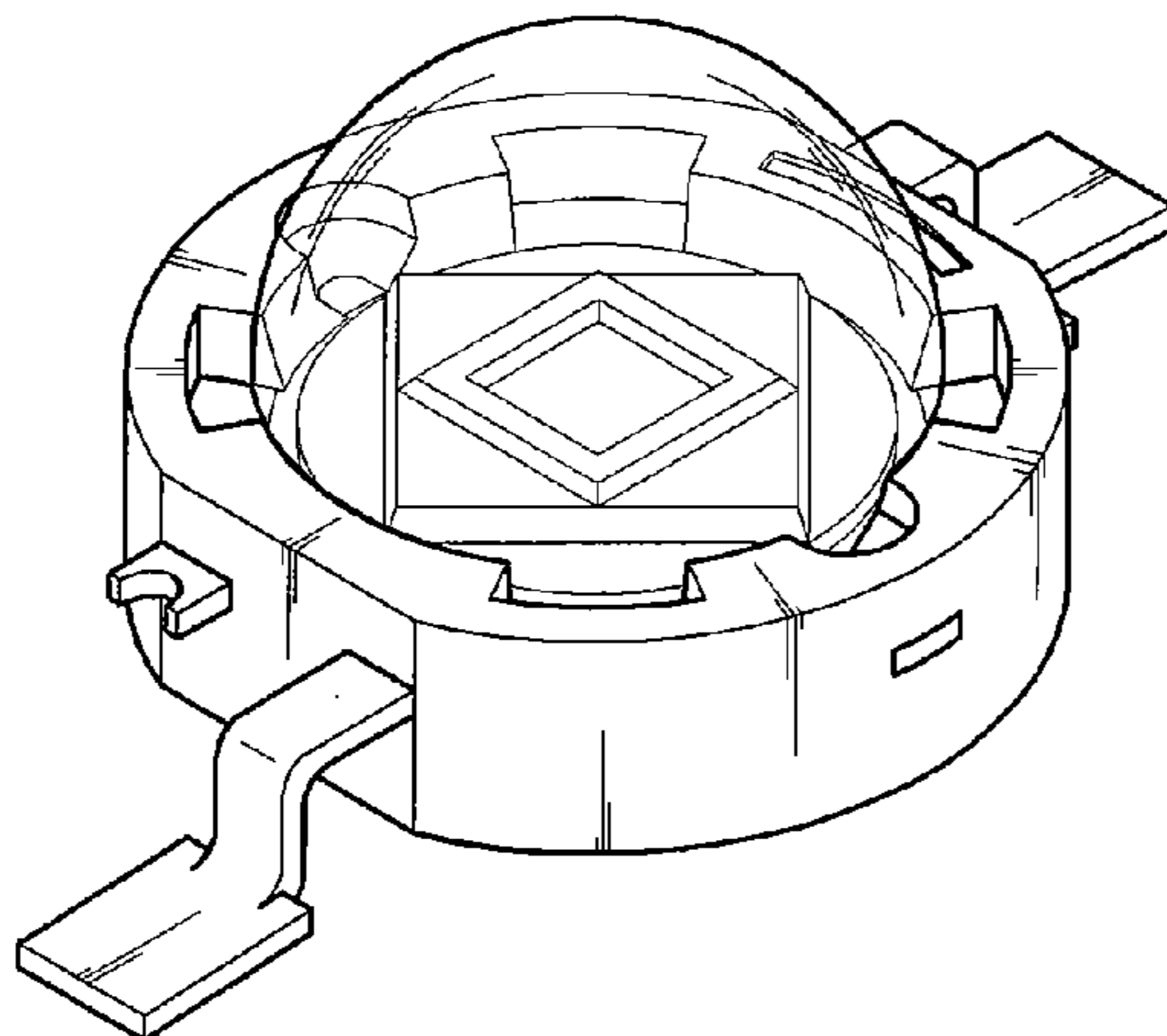


FIG. 1

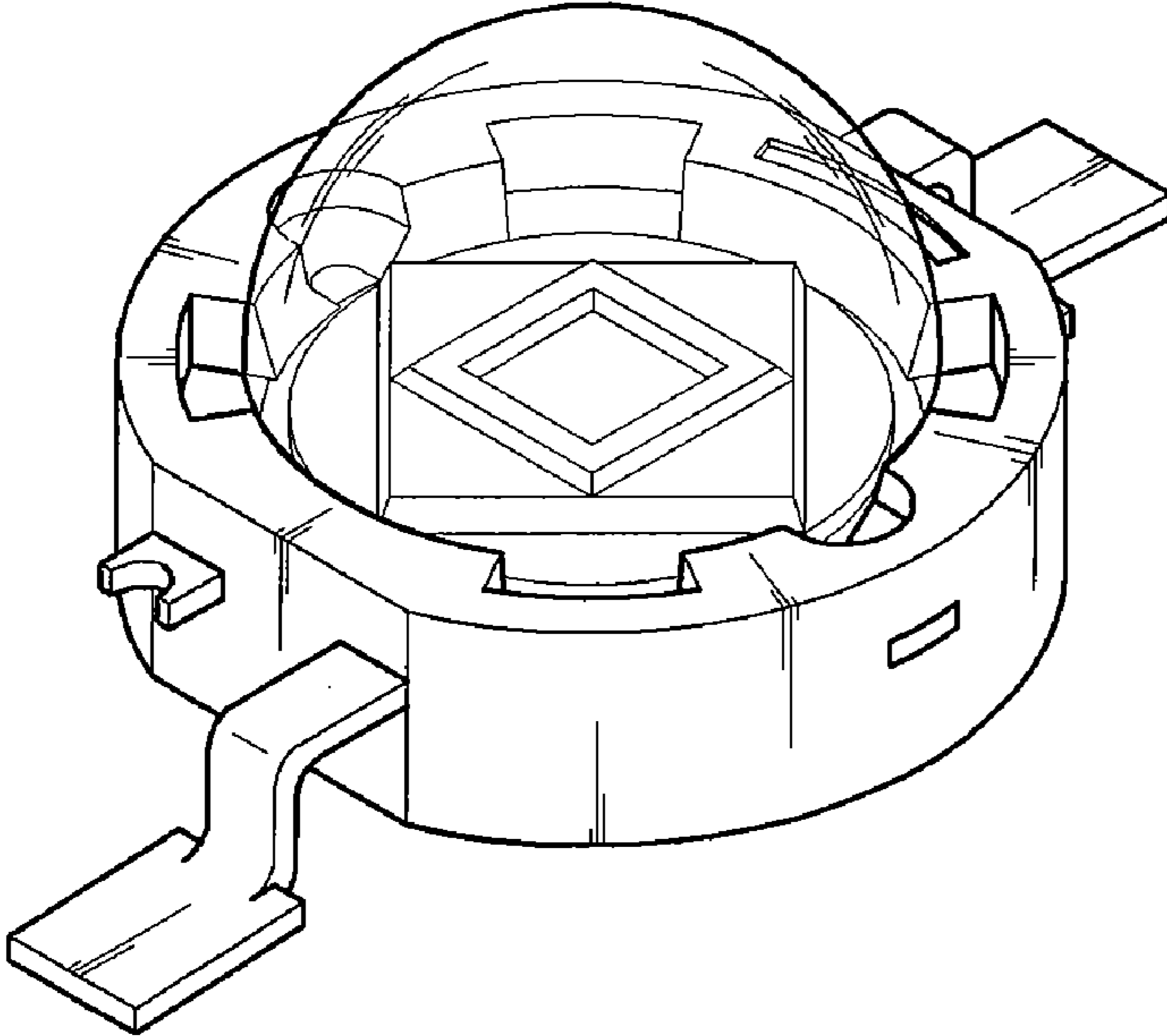


FIG. 2

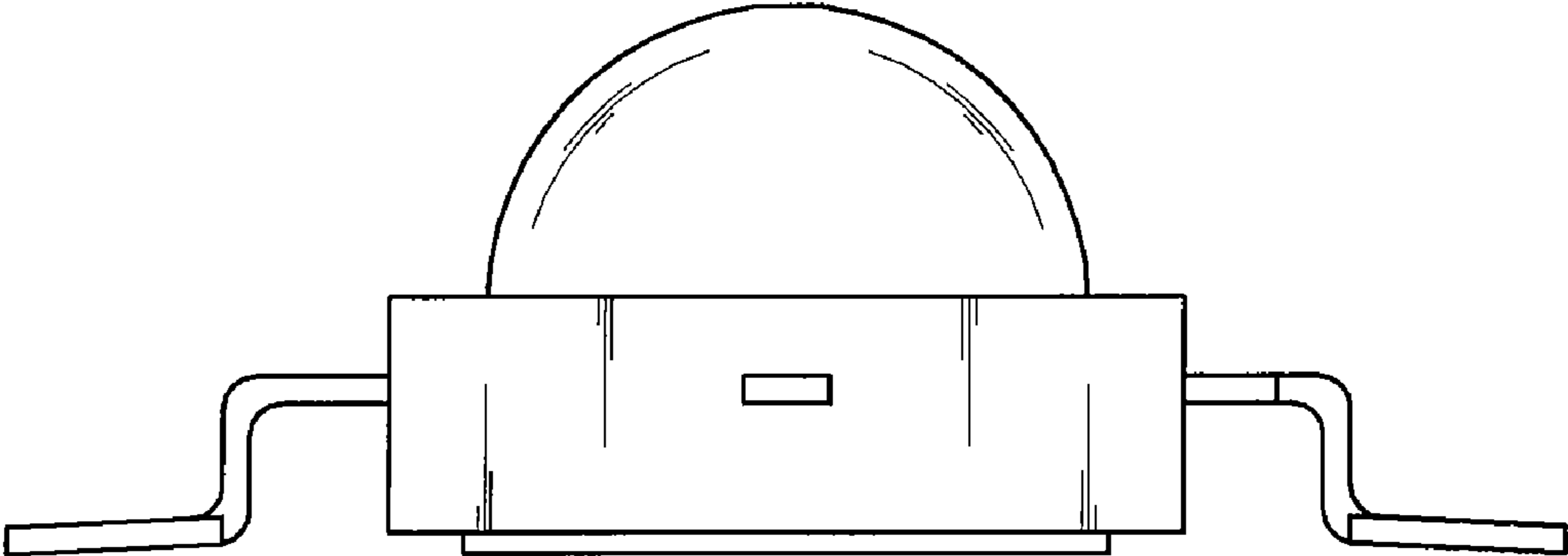


FIG. 3

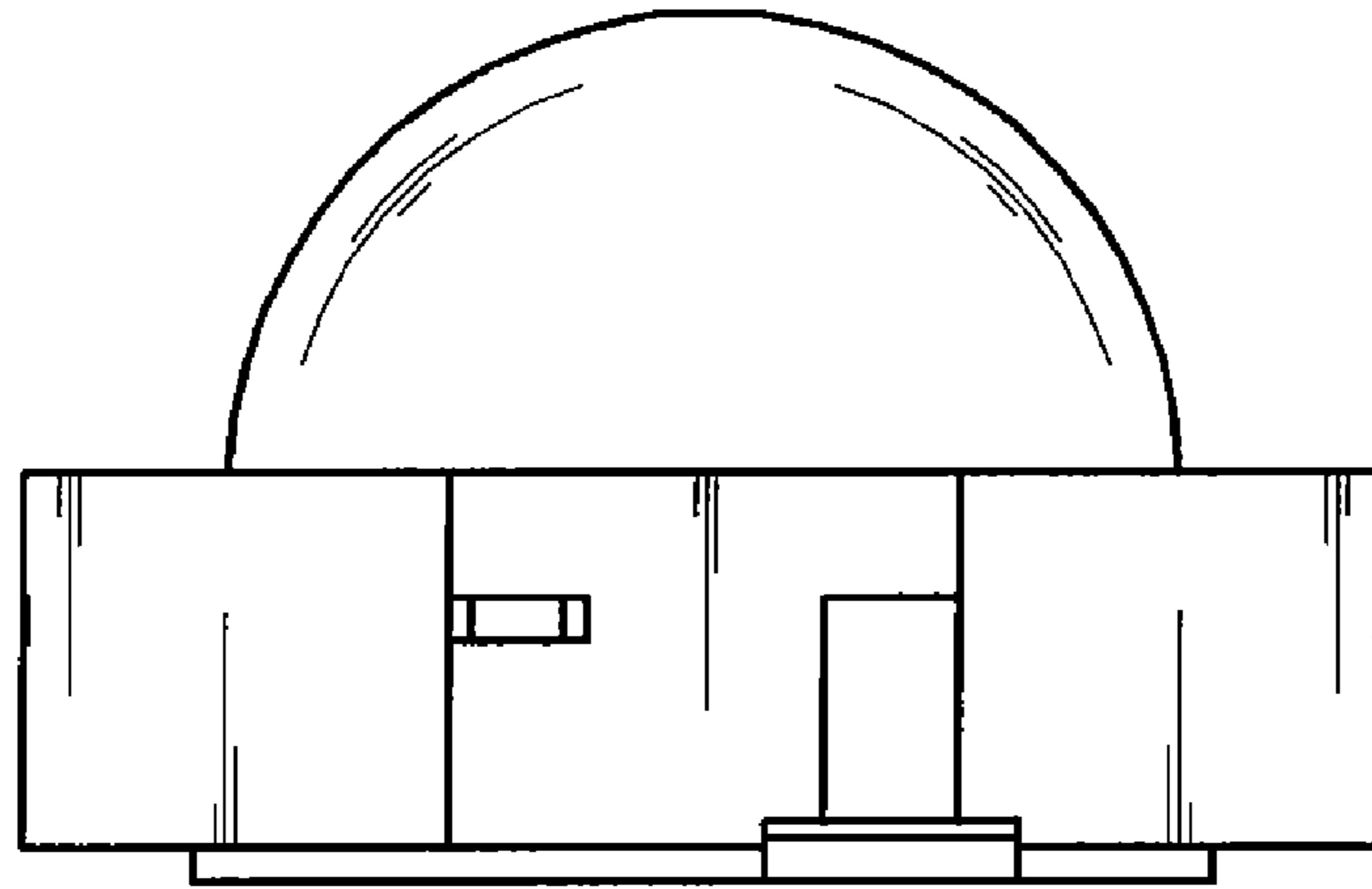


FIG. 4

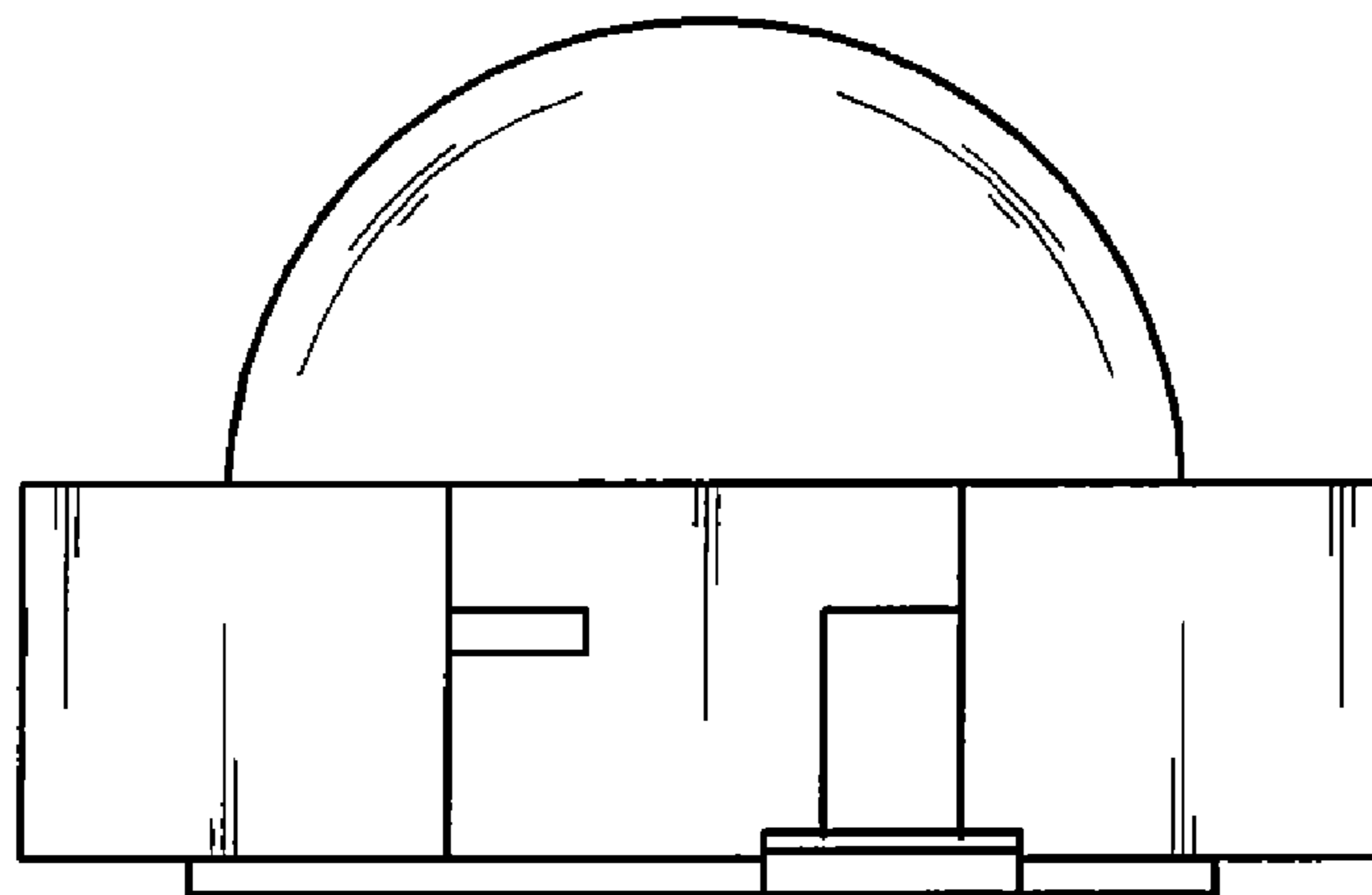


FIG. 5

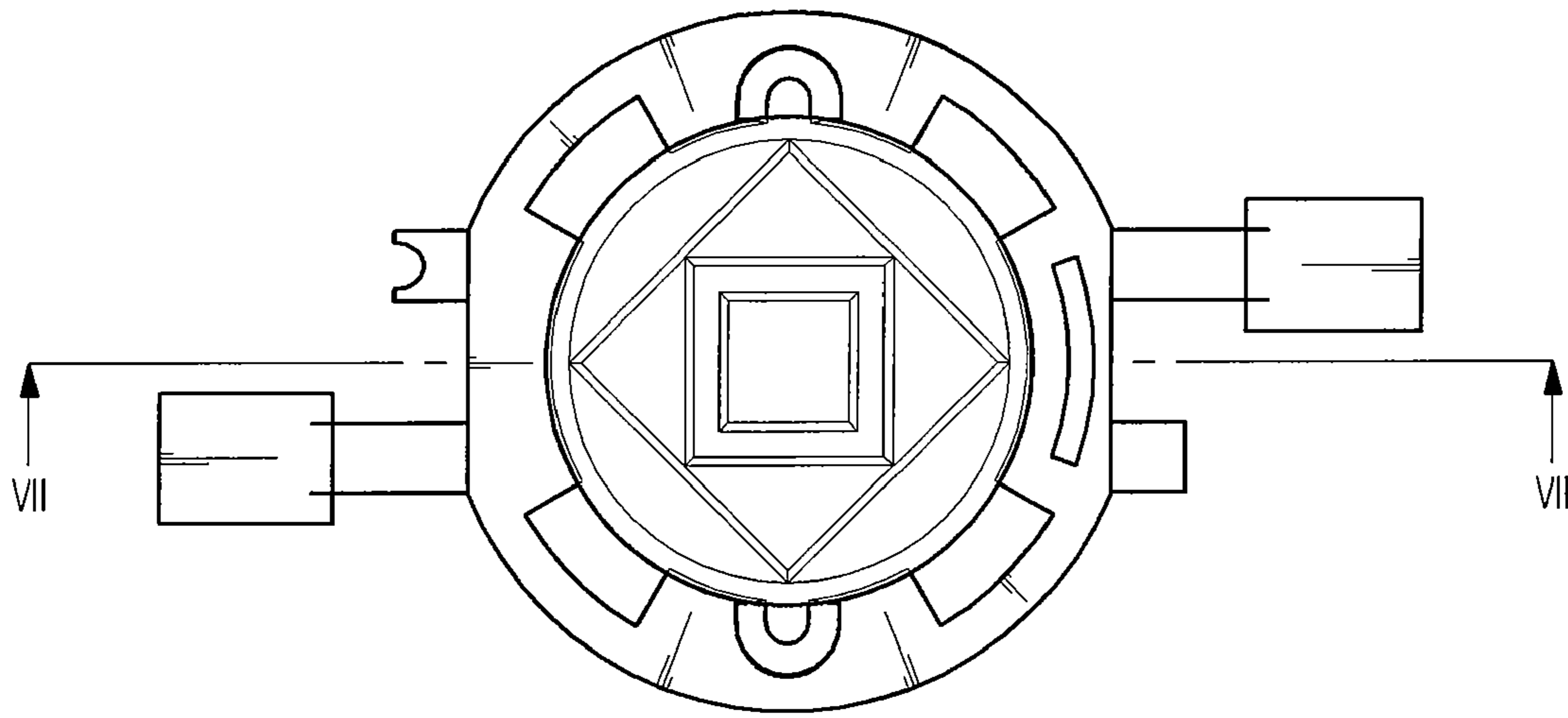


FIG. 6

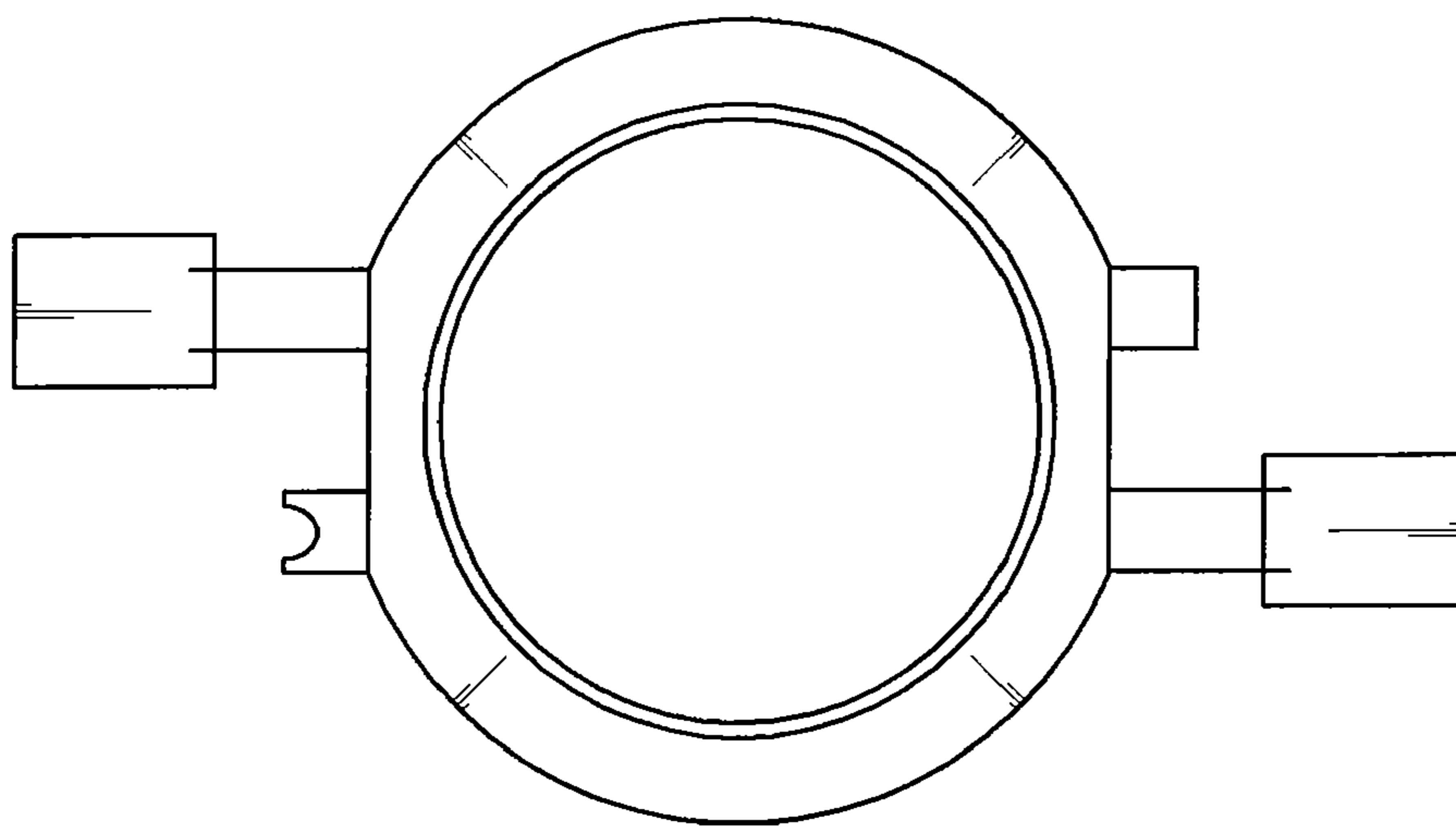


FIG. 7

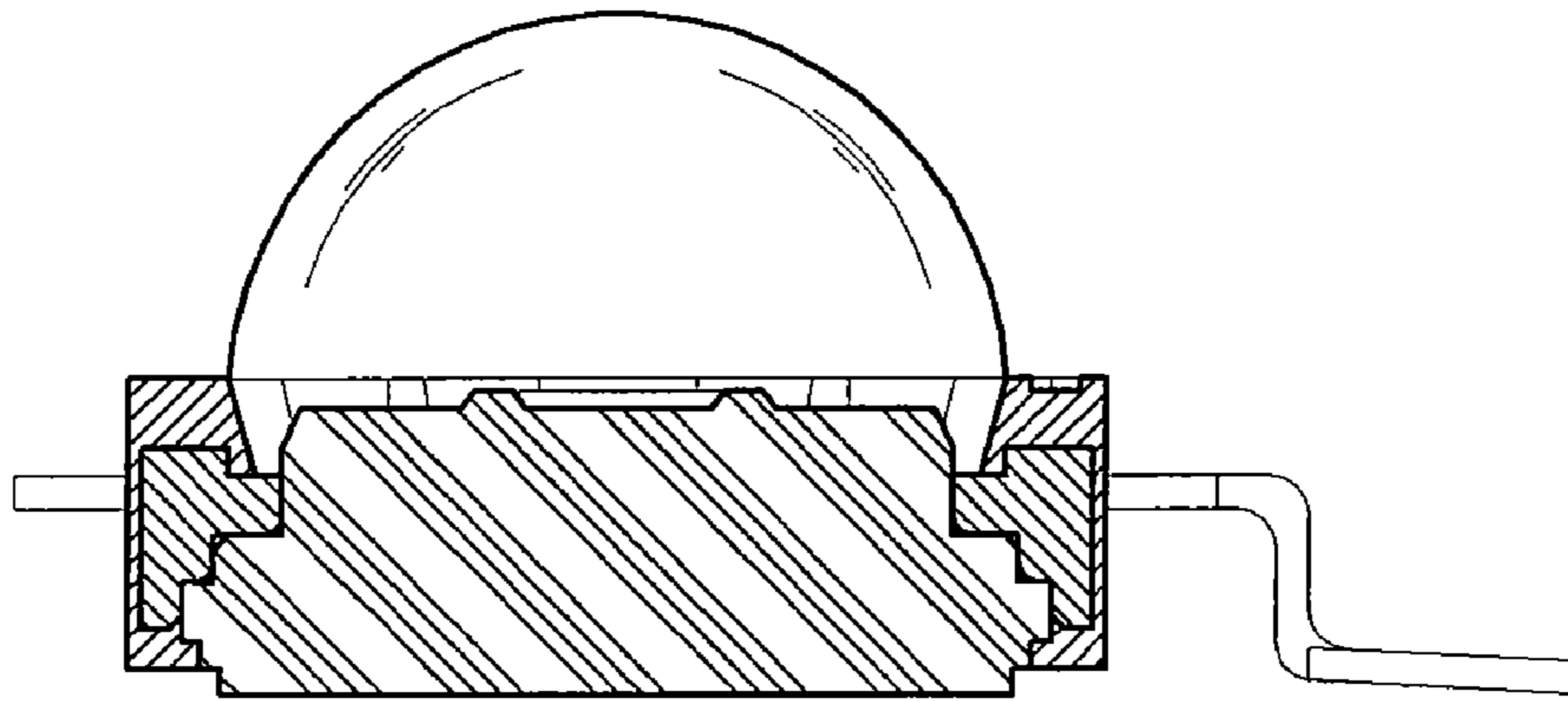


FIG. 8

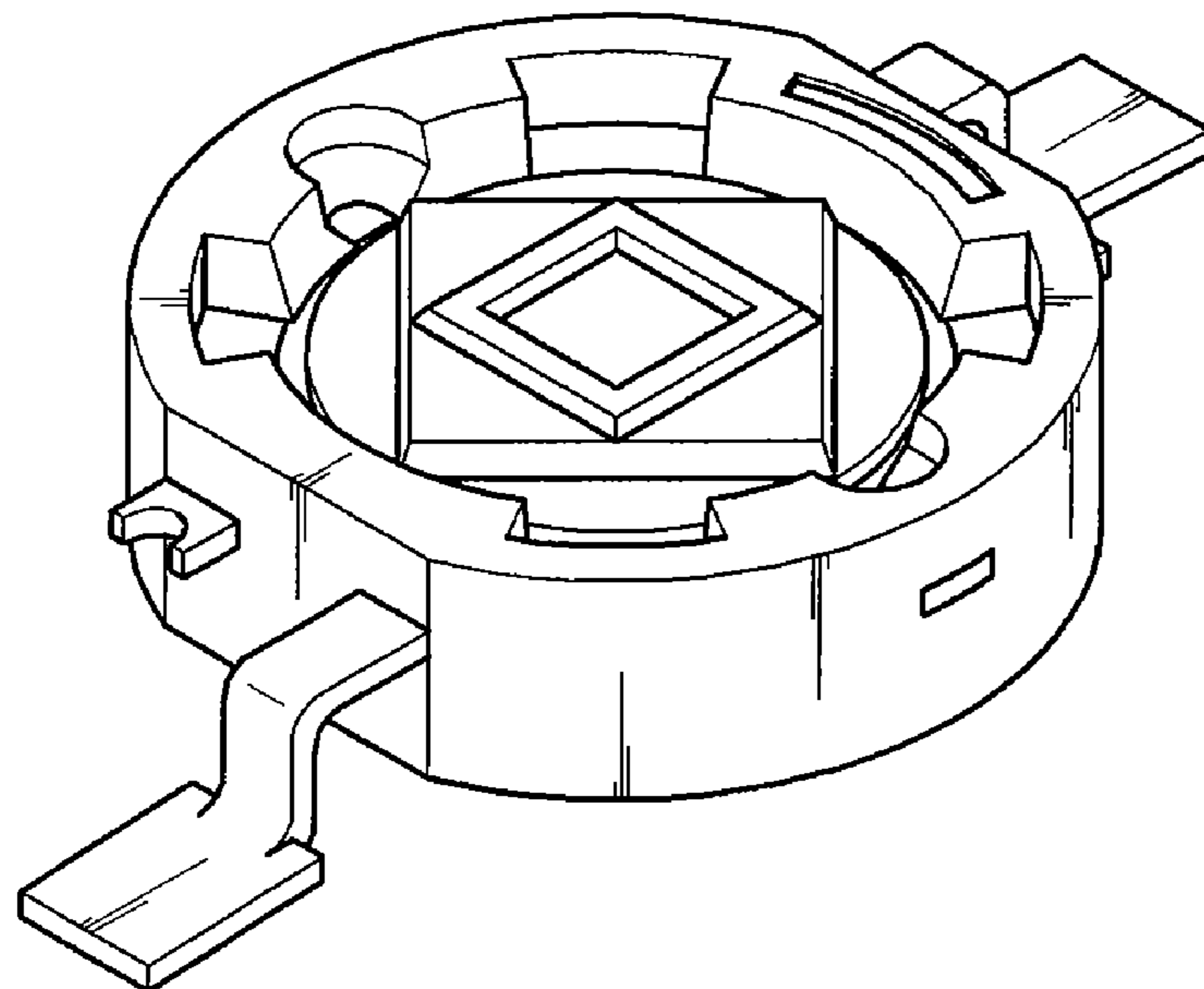


FIG. 9

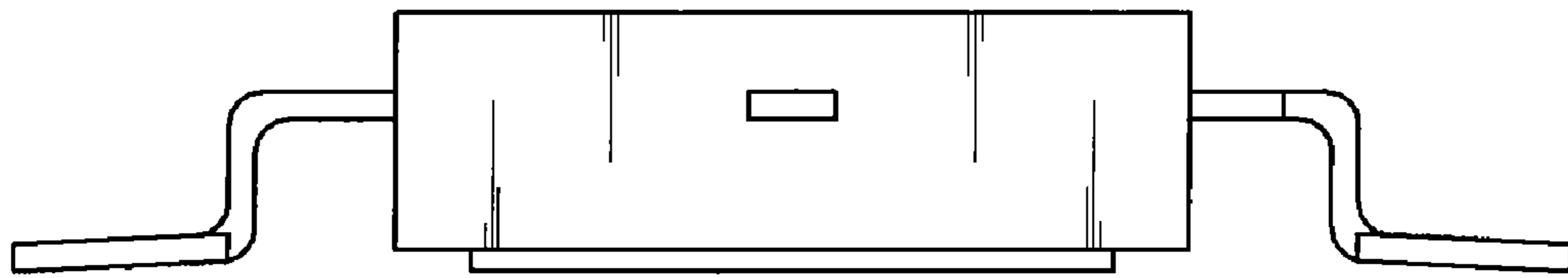


FIG. 10

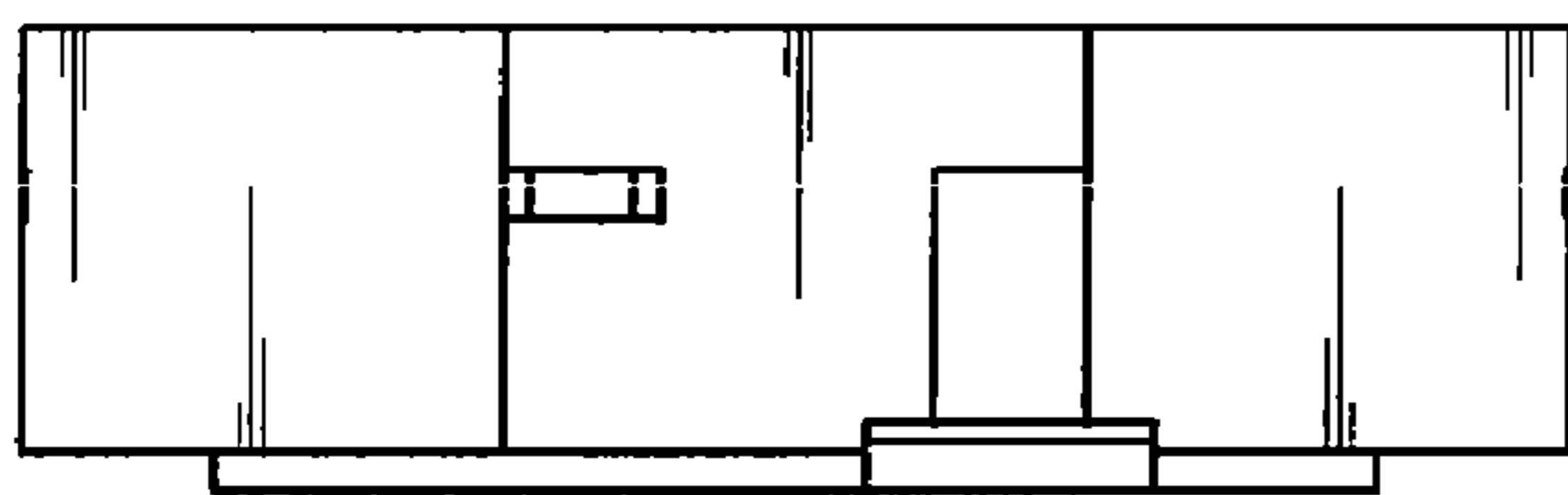


FIG. 11

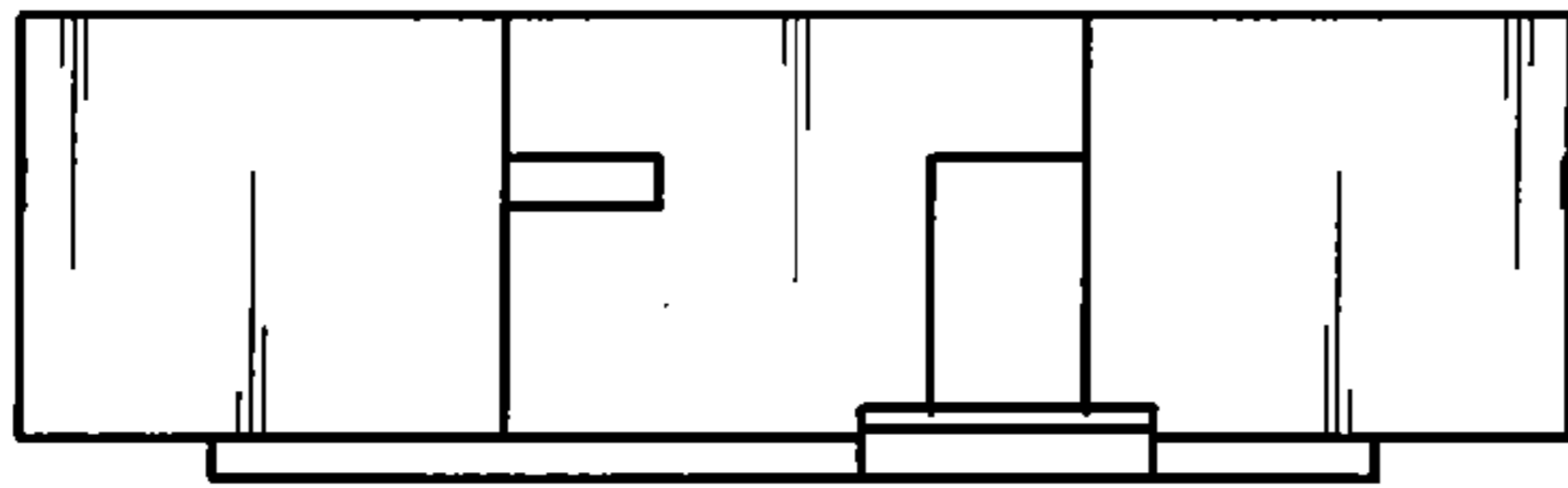


FIG. 12

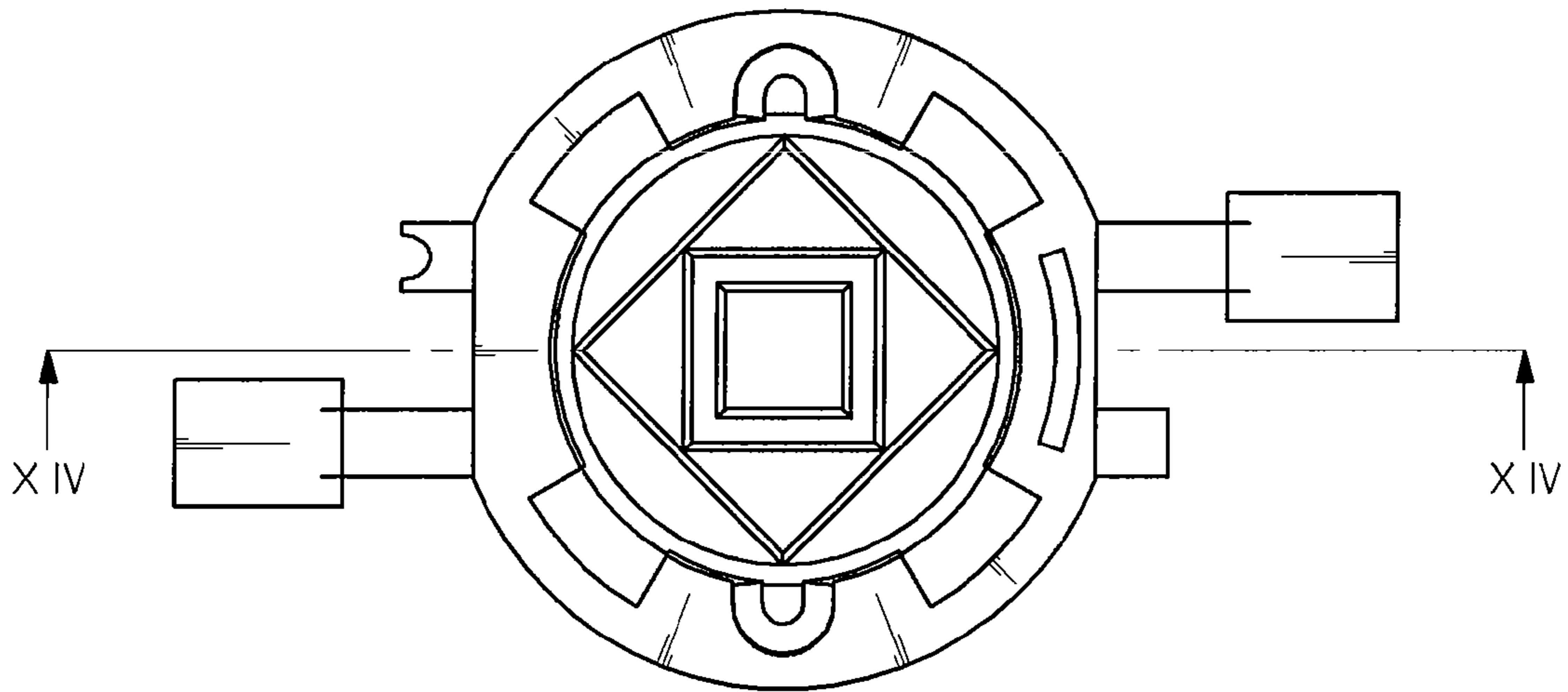


FIG. 13

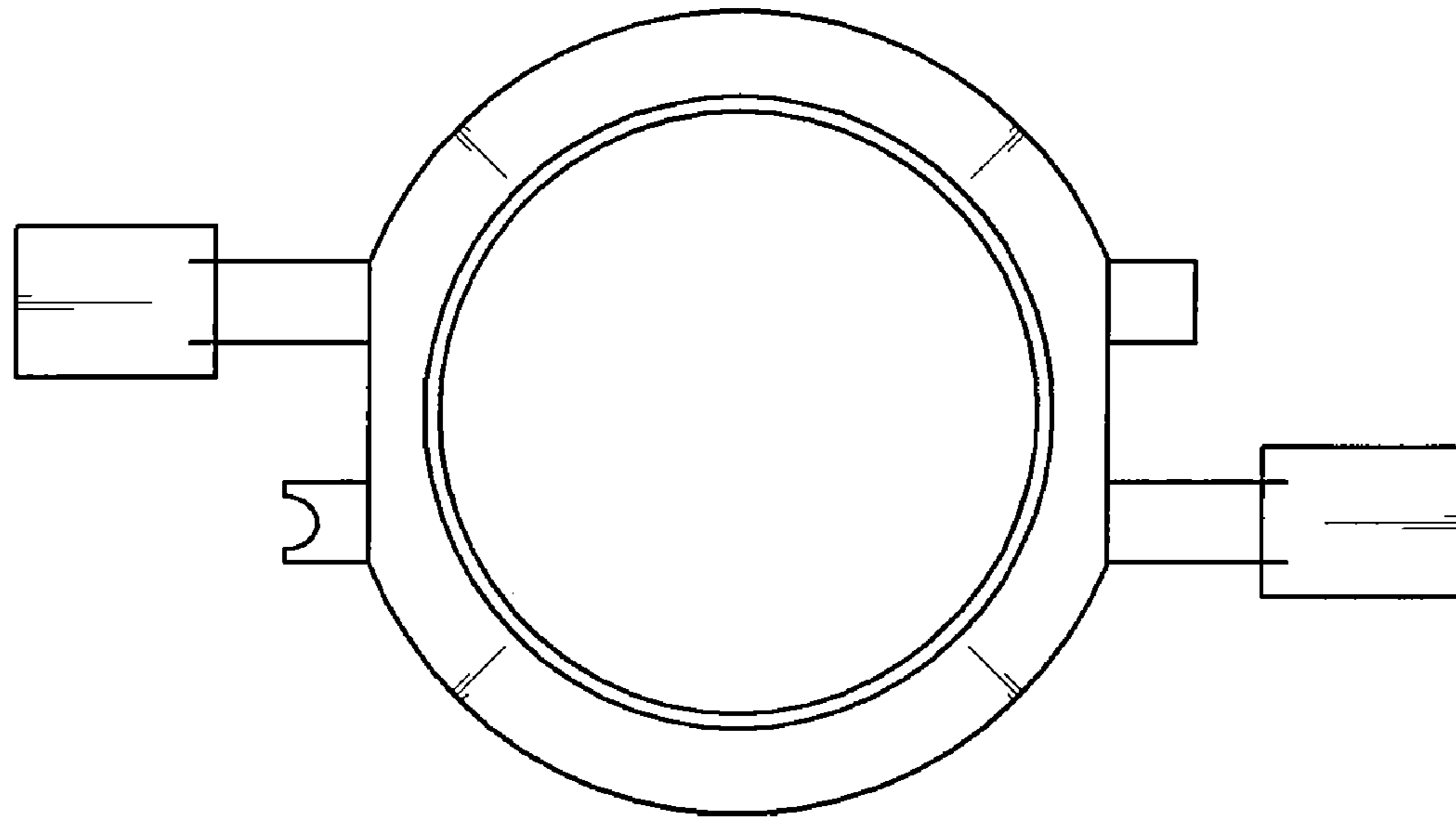


FIG. 14

