

US00D579423S

(12) **United States Design Patent**  
**Chang et al.**

(10) **Patent No.:** **US D579,423 S**  
(45) **Date of Patent:** **\*\* Oct. 28, 2008**

(54) **HEAT SINK**

(75) Inventors: **Yuh-Ching Chang**, Taipei Hsien (TW);  
**Ming-Kun Cao**, Shenzhen (CN);  
**Di-Qiong Zhao**, Shenzhen (CN)

(73) Assignee: **Foxconn Technology Co., Ltd.**,  
Tu-Cheng, Taipei Hsien (TW)

(\*\*) Term: **14 Years**

(21) Appl. No.: **29/297,784**

(22) Filed: **Nov. 19, 2007**

(51) **LOC (8) Cl.** ..... **13-03**

(52) **U.S. Cl.** ..... **D13/179**

(58) **Field of Classification Search** ..... D13/179;  
165/80.3, 104.33, 151, 122, 185; 257/706,  
257/707, 718-722; 361/687, 695, 697, 700,  
361/702, 704, 709, 710, 711, 719  
See application file for complete search history.

(56) **References Cited**

**U.S. PATENT DOCUMENTS**

- D475,354 S 6/2003 Wang
- D533,145 S \* 12/2006 O'Sullivan et al. .... D13/179
- D541,758 S \* 5/2007 Lee et al. .... D13/179

- 7,269,014 B1 \* 9/2007 Zhao et al. .... 361/700
- 2005/0061479 A1 \* 3/2005 Lee et al. .... 165/80.3
- 2005/0103476 A1 \* 5/2005 Chen et al. .... 165/104.33
- 2006/0054307 A1 \* 3/2006 Lee et al. .... 165/80.3
- 2007/0044942 A1 \* 3/2007 Mou ..... 165/104.33
- 2007/0095508 A1 \* 5/2007 Xia et al. .... 165/104.33
- 2007/0169918 A1 \* 7/2007 Kuo ..... 165/104.33

\* cited by examiner

*Primary Examiner*—Selina Sikder

(74) *Attorney, Agent, or Firm*—Frank R. Niranjan

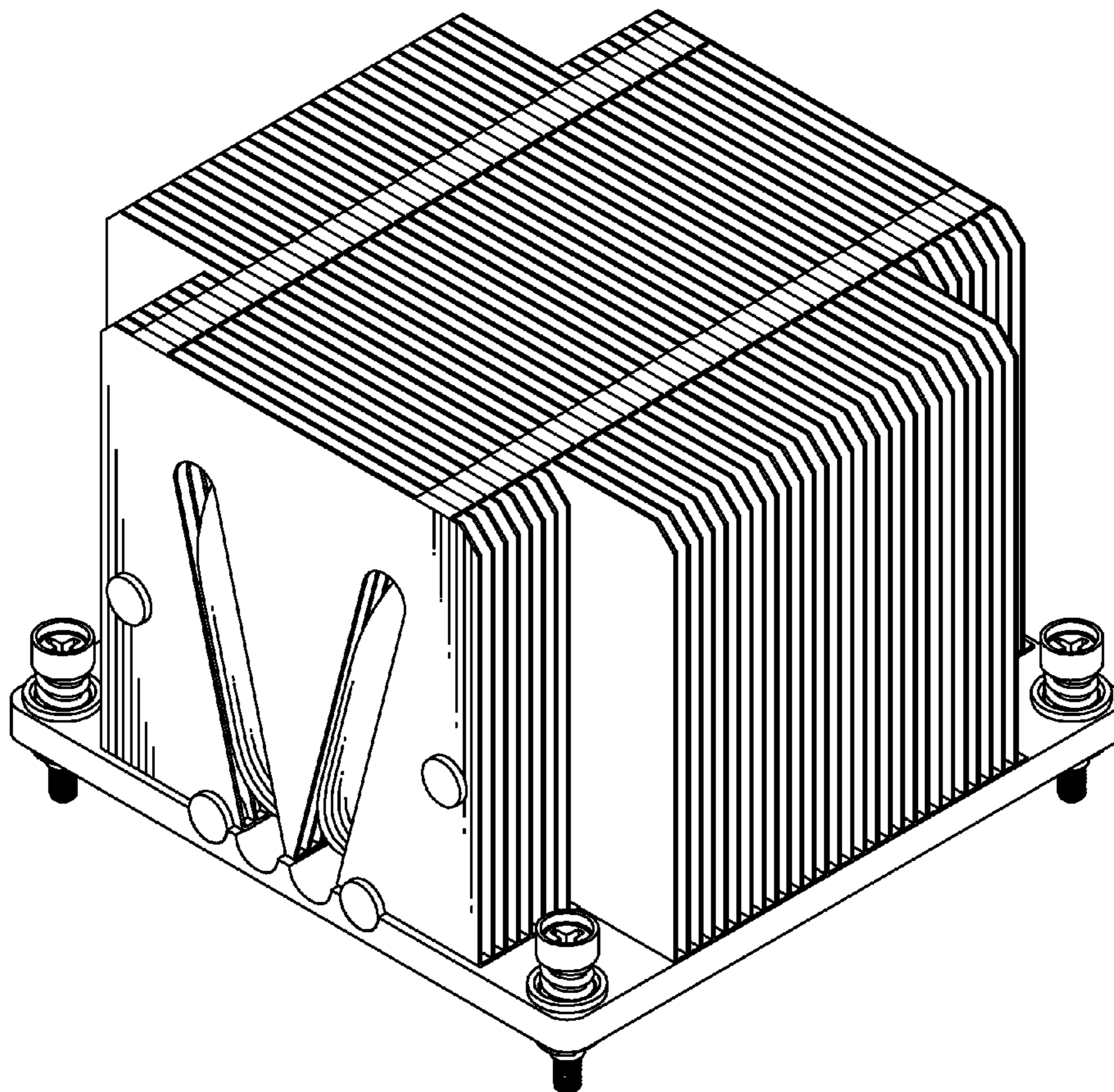
(57) **CLAIM**

The ornamental design for a heat sink, as shown.

**DESCRIPTION**

FIG. 1 is a perspective view of a heat sink of our new design;  
FIG. 2 is a front elevational view thereof;  
FIG. 3 is a rear elevational view thereof;  
FIG. 4 is a left side elevational view thereof;  
FIG. 5 is a right side elevational view thereof;  
FIG. 6 is a top plan view thereof; and,  
FIG. 7 is a bottom plan view thereof.

**1 Claim, 7 Drawing Sheets**



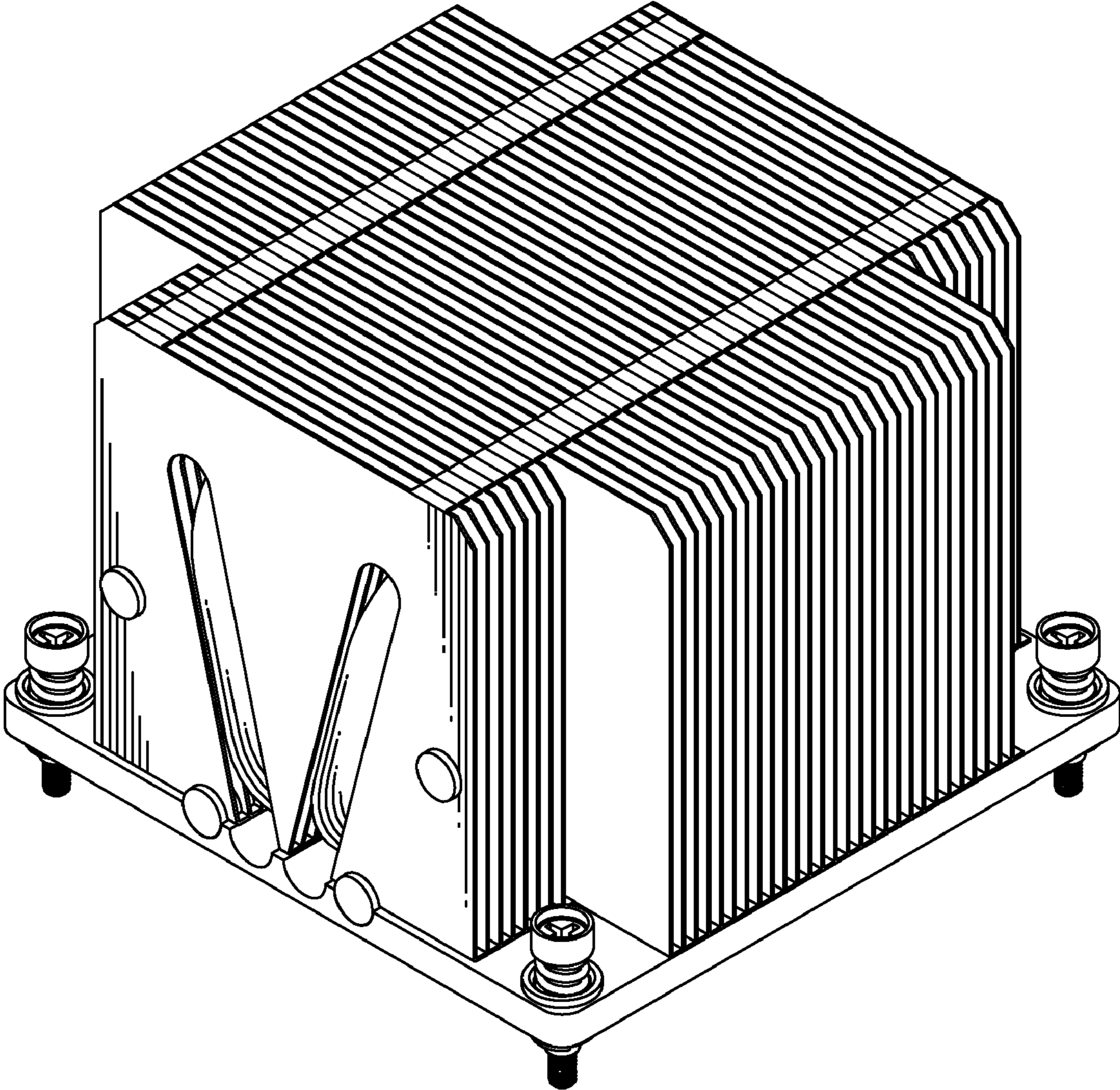


FIG. 1

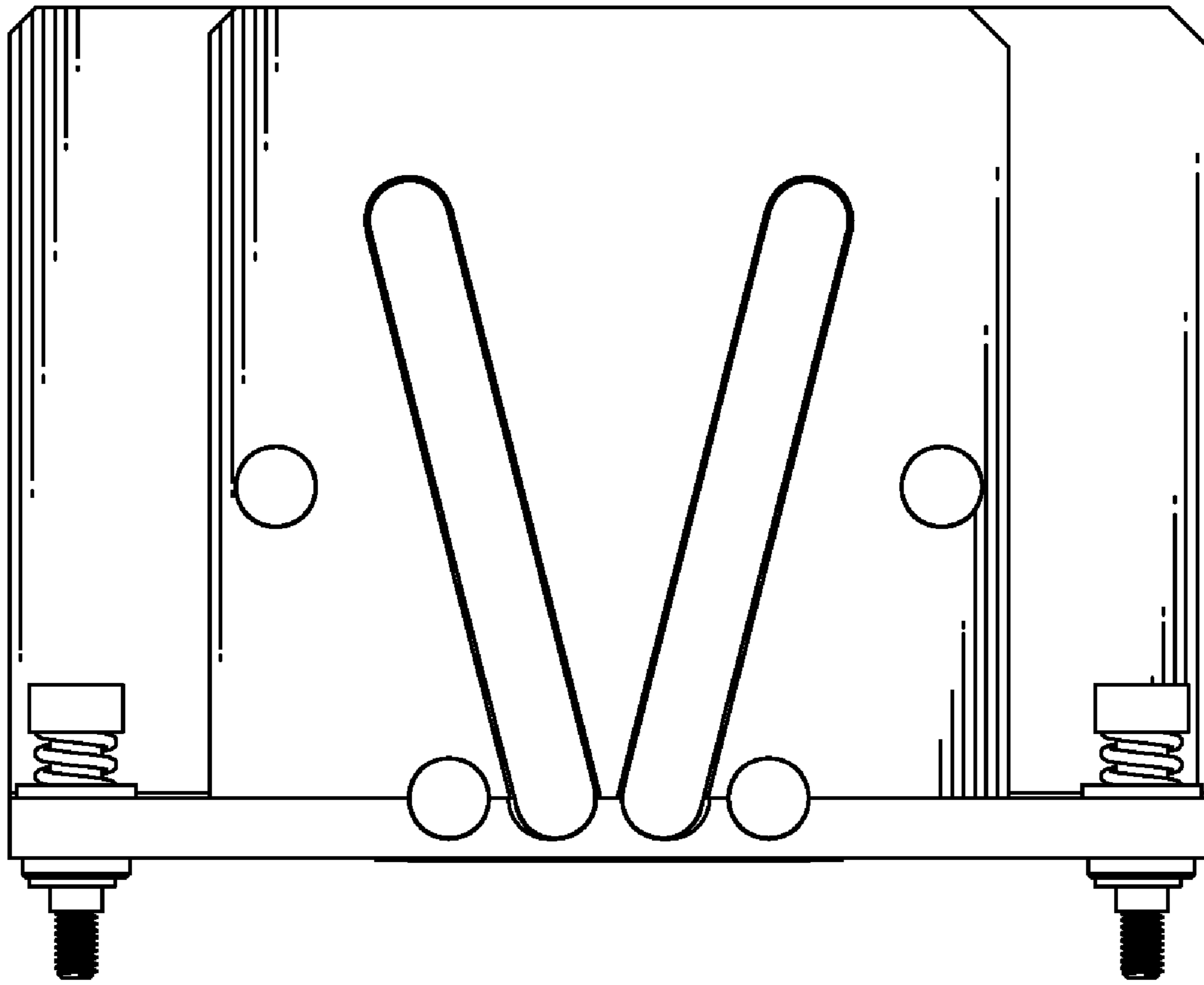


FIG. 2

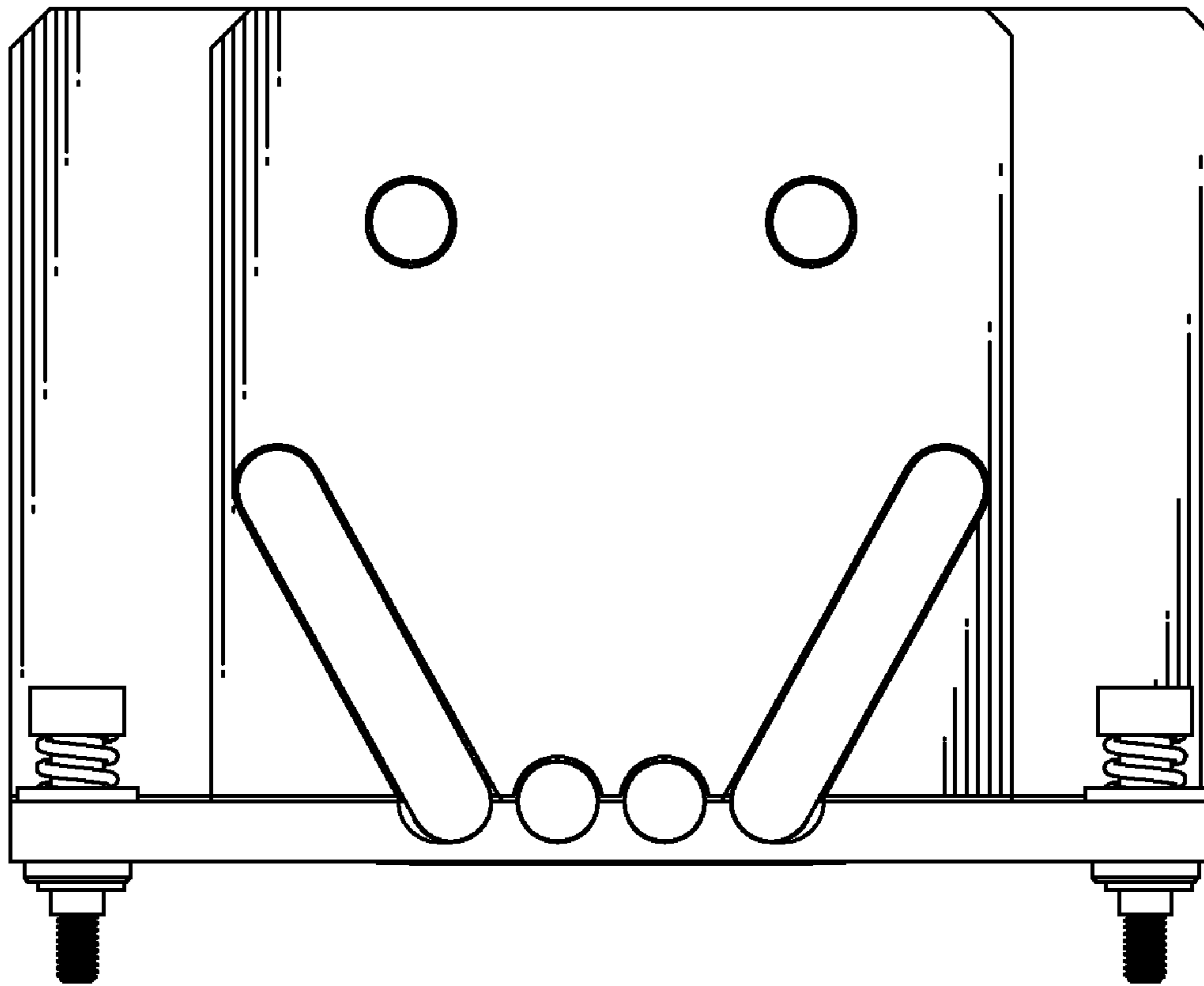


FIG. 3

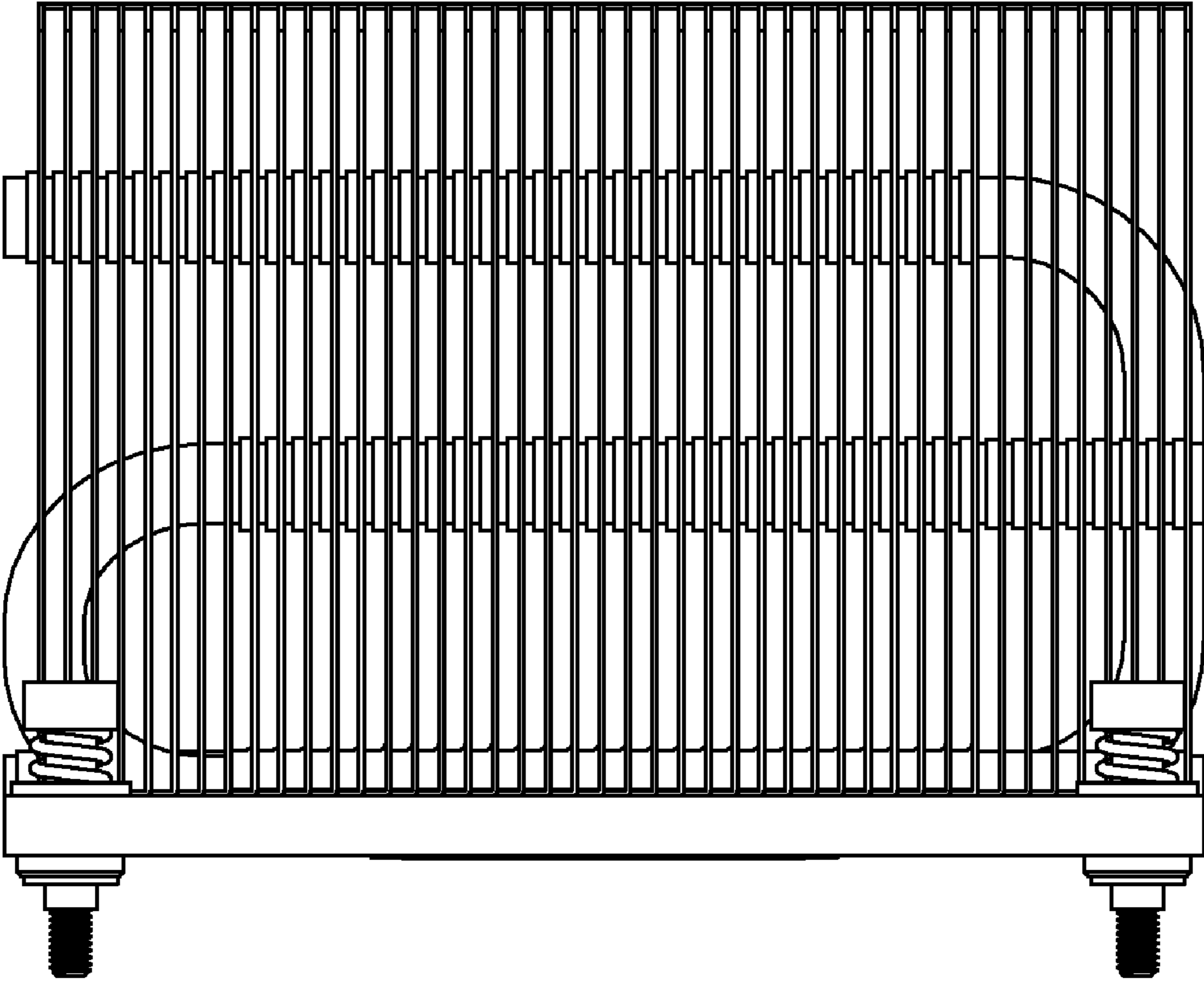


FIG. 4

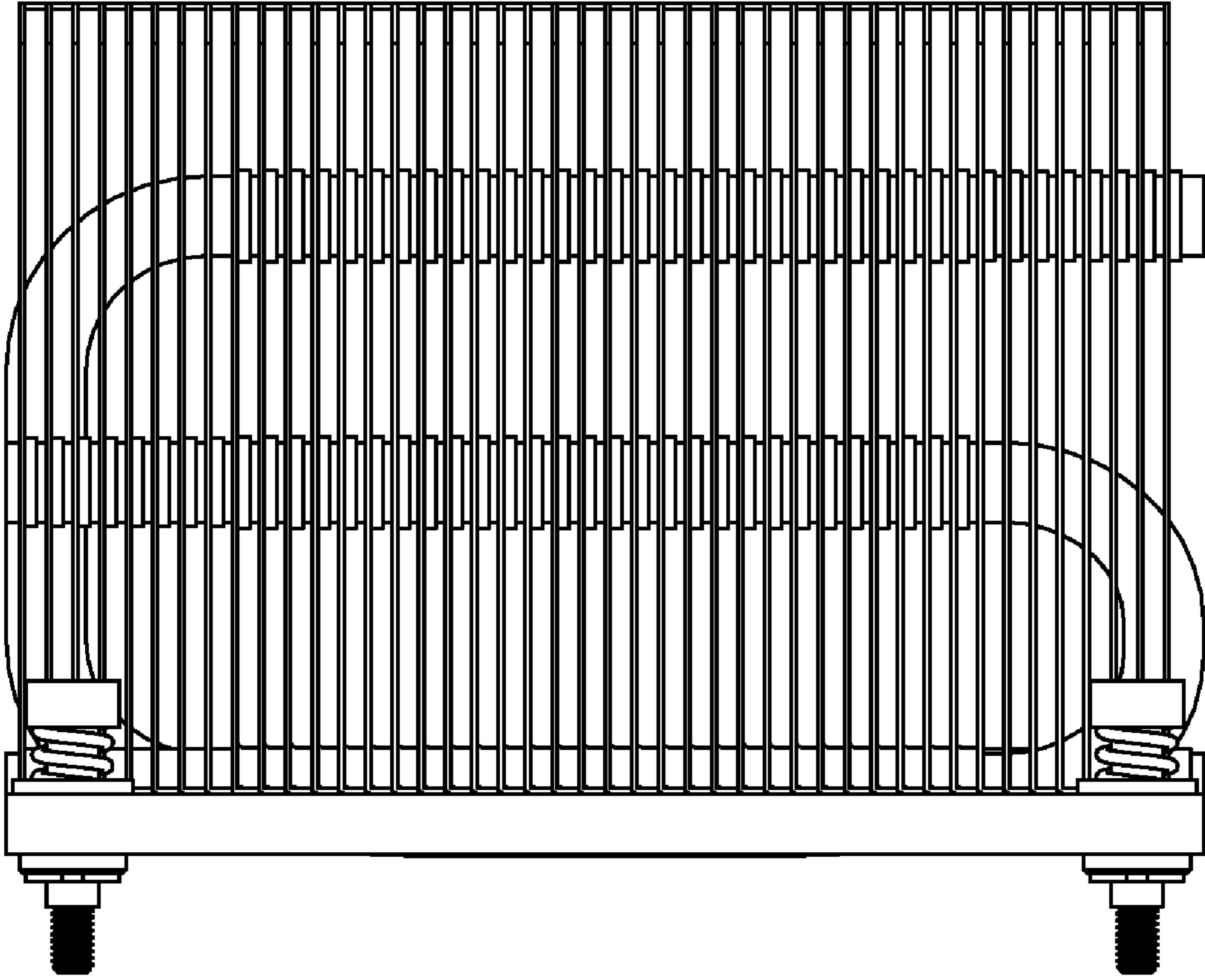


FIG. 5



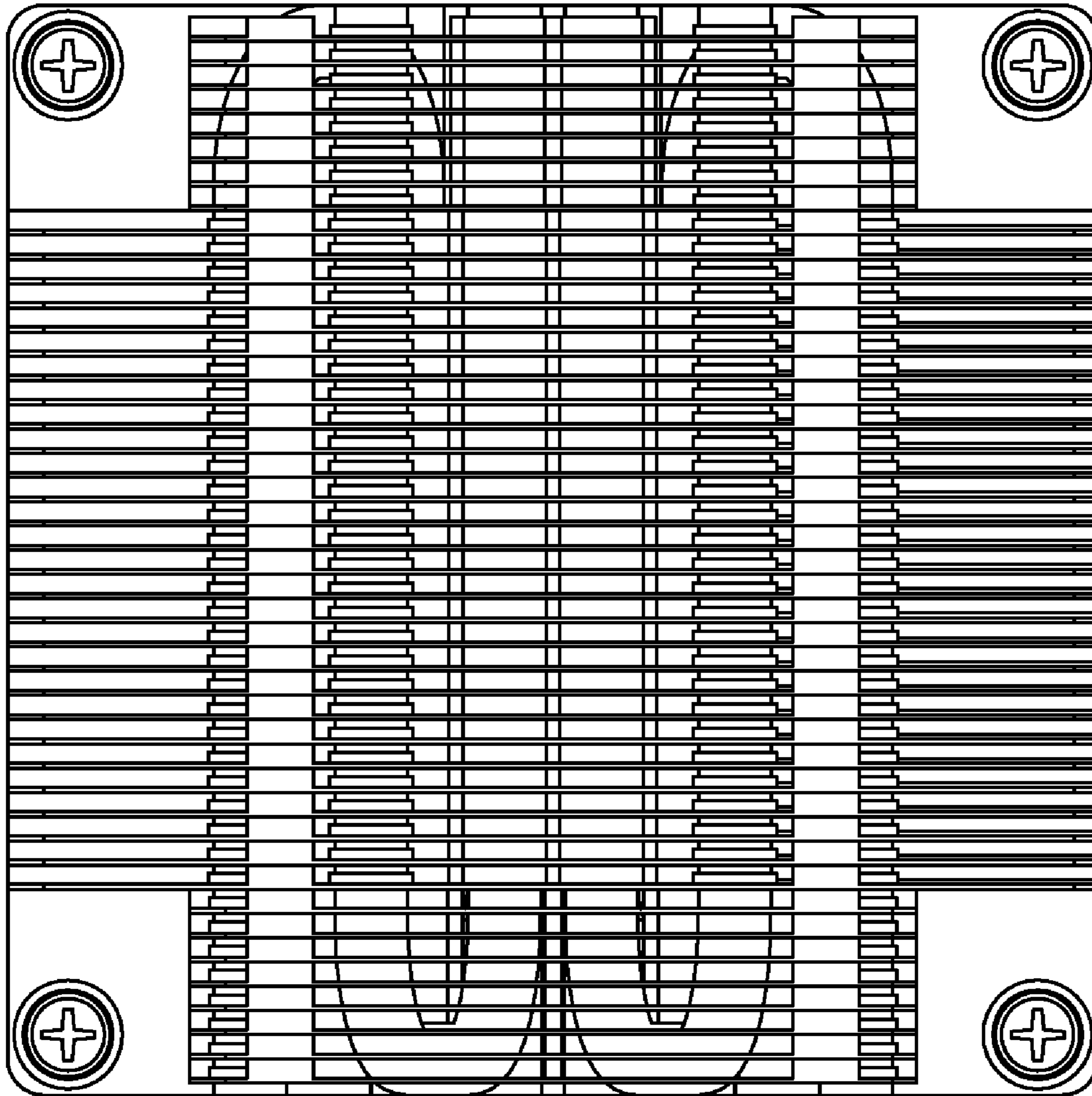


FIG. 6

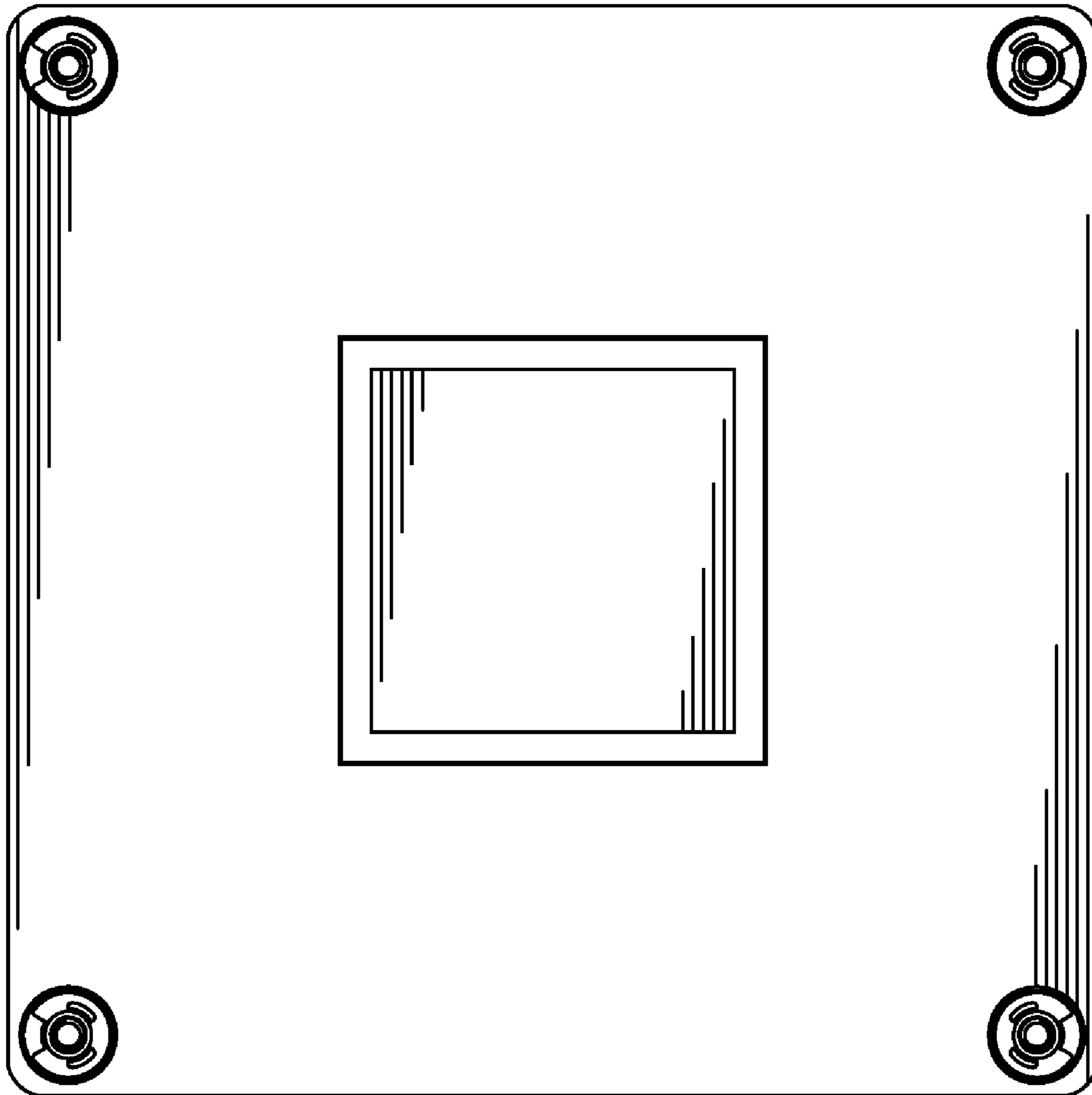


FIG. 7