

US00D579422S

(12) **United States Design Patent**  
**Shuai et al.**

(10) **Patent No.:** **US D579,422 S**  
(45) **Date of Patent:** **\*\* Oct. 28, 2008**

(54) **HEAT SINK FOR AN LED LAMP**

(75) Inventors: **Chun-Jiang Shuai**, Shenzhen (CN);  
**Guang Yu**, Shenzhen (CN); **Cheng-Tien Lai**, Taipei Hsien (TW)

(73) Assignee: **Foxconn Technology Co., Ltd.**,  
Tu-Cheng, Taipei Hsien (TW)

(\*\*) Term: **14 Years**

(21) Appl. No.: **29/296,451**

(22) Filed: **Oct. 22, 2007**

(51) **LOC (8) Cl.** ..... **13-03**

(52) **U.S. Cl.** ..... **D13/179**

(58) **Field of Classification Search** ..... D13/179;  
165/80.3, 104.33, 151, 122, 185; 257/706,  
257/707, 718-722; 361/687, 695, 697, 700,  
361/702, 704, 709, 710, 711, 719  
See application file for complete search history.

(56) **References Cited**

**U.S. PATENT DOCUMENTS**

4,340,115 A \* 7/1982 Wright et al. .... 165/122  
6,439,298 B1 \* 8/2002 Li ..... 165/104.33

D466,871 S \* 12/2002 Lee ..... D13/179  
D500,745 S \* 1/2005 Duan et al. .... D13/179  
7,055,578 B2 \* 6/2006 Ku et al. .... 165/80.3  
2004/0108104 A1 \* 6/2004 Luo ..... 165/181

\* cited by examiner

*Primary Examiner*—Selina Sikder

(74) *Attorney, Agent, or Firm*—Frank R. Niranjana

(57) **CLAIM**

The ornamental design for a heat sink for an LED lamp, as shown.

**DESCRIPTION**

FIG. 1 is a perspective view of a heat sink for an LED lamp showing our new design;

FIG. 2 is a front elevational view thereof;

FIG. 3 is a rear elevational view thereof;

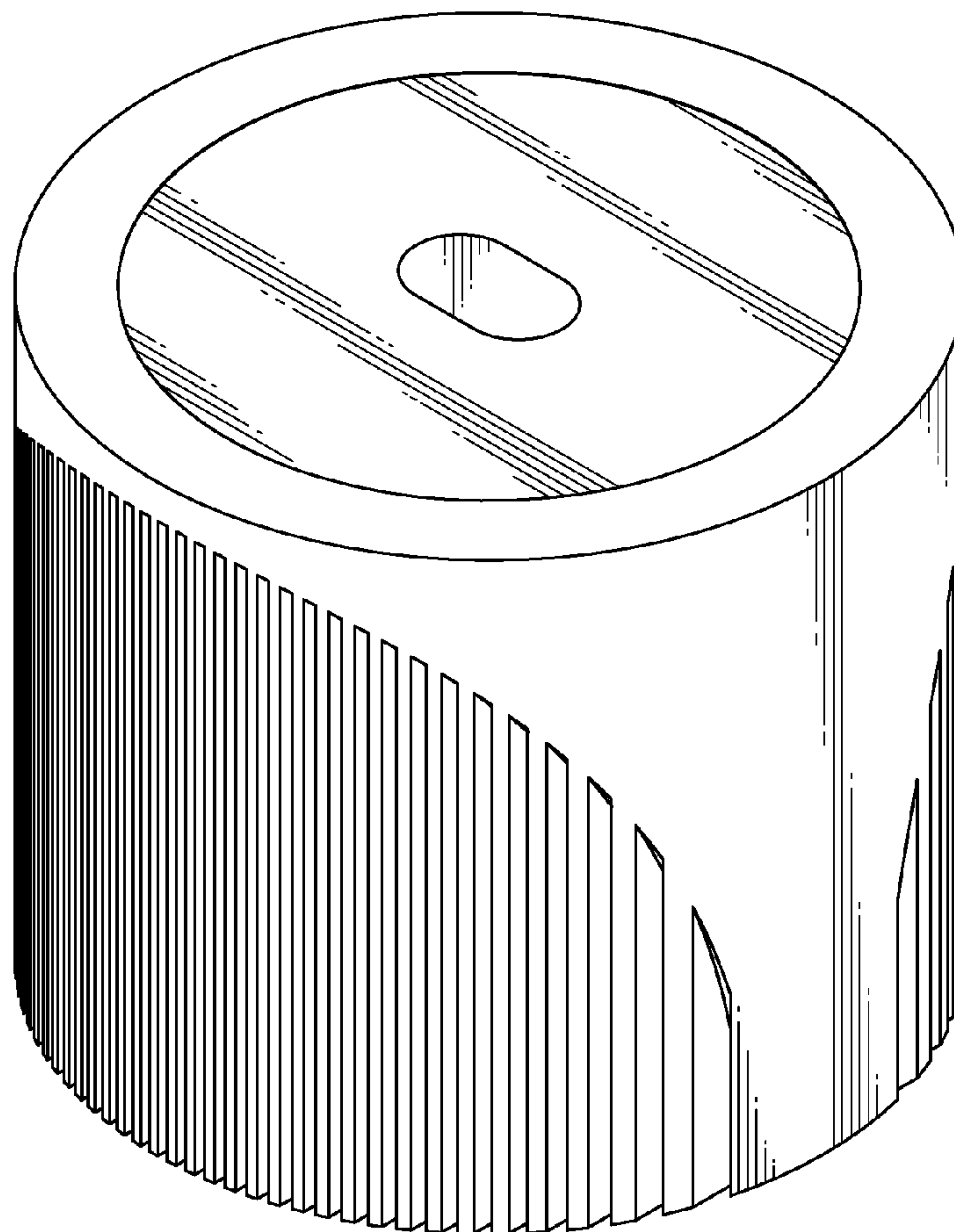
FIG. 4 is a left-side, elevational view thereof;

FIG. 5 is a right-side, elevational view thereof;

FIG. 6 is a top plan view thereof; and,

FIG. 7 is a bottom plan view thereof.

**1 Claim, 7 Drawing Sheets**



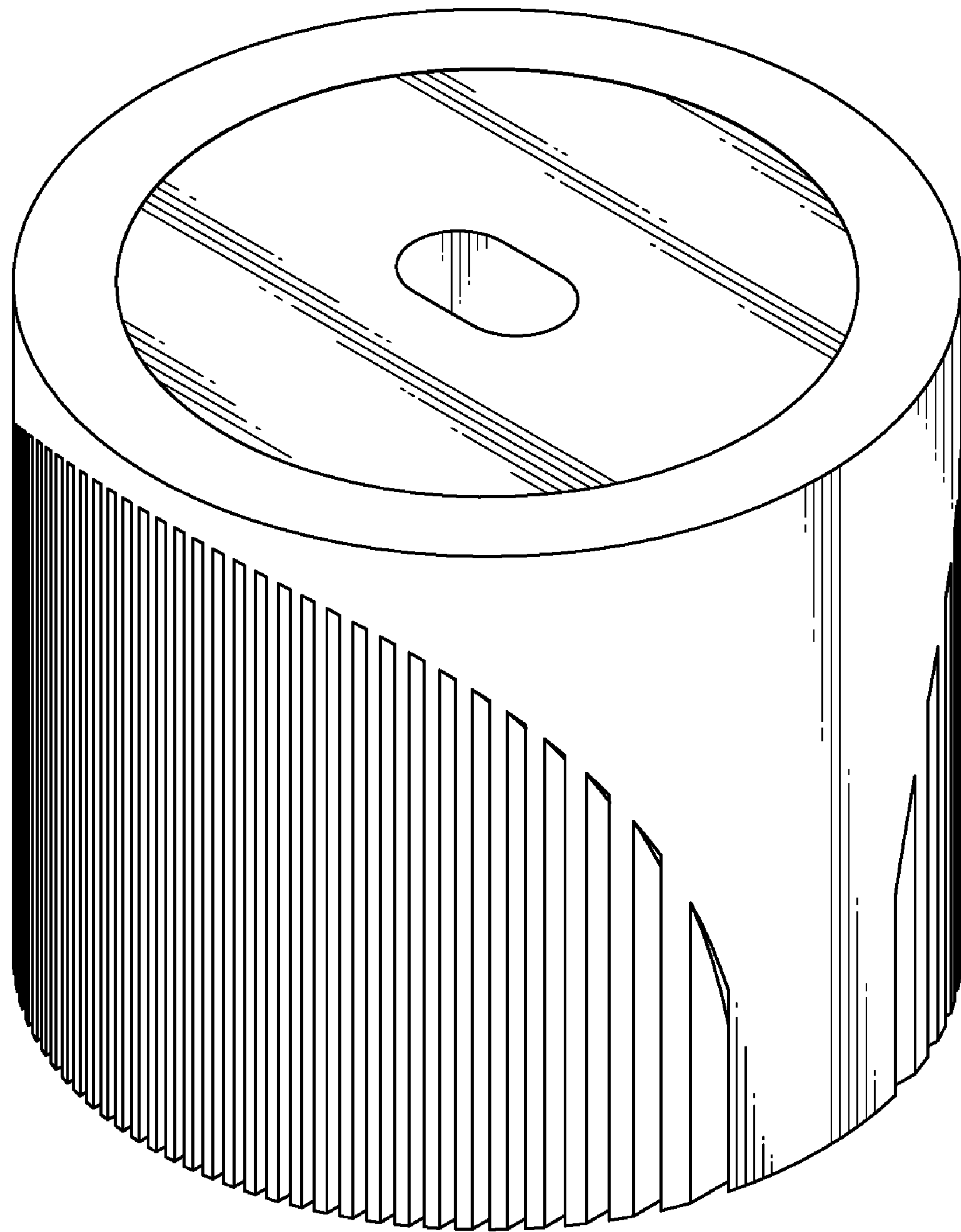


FIG. 1

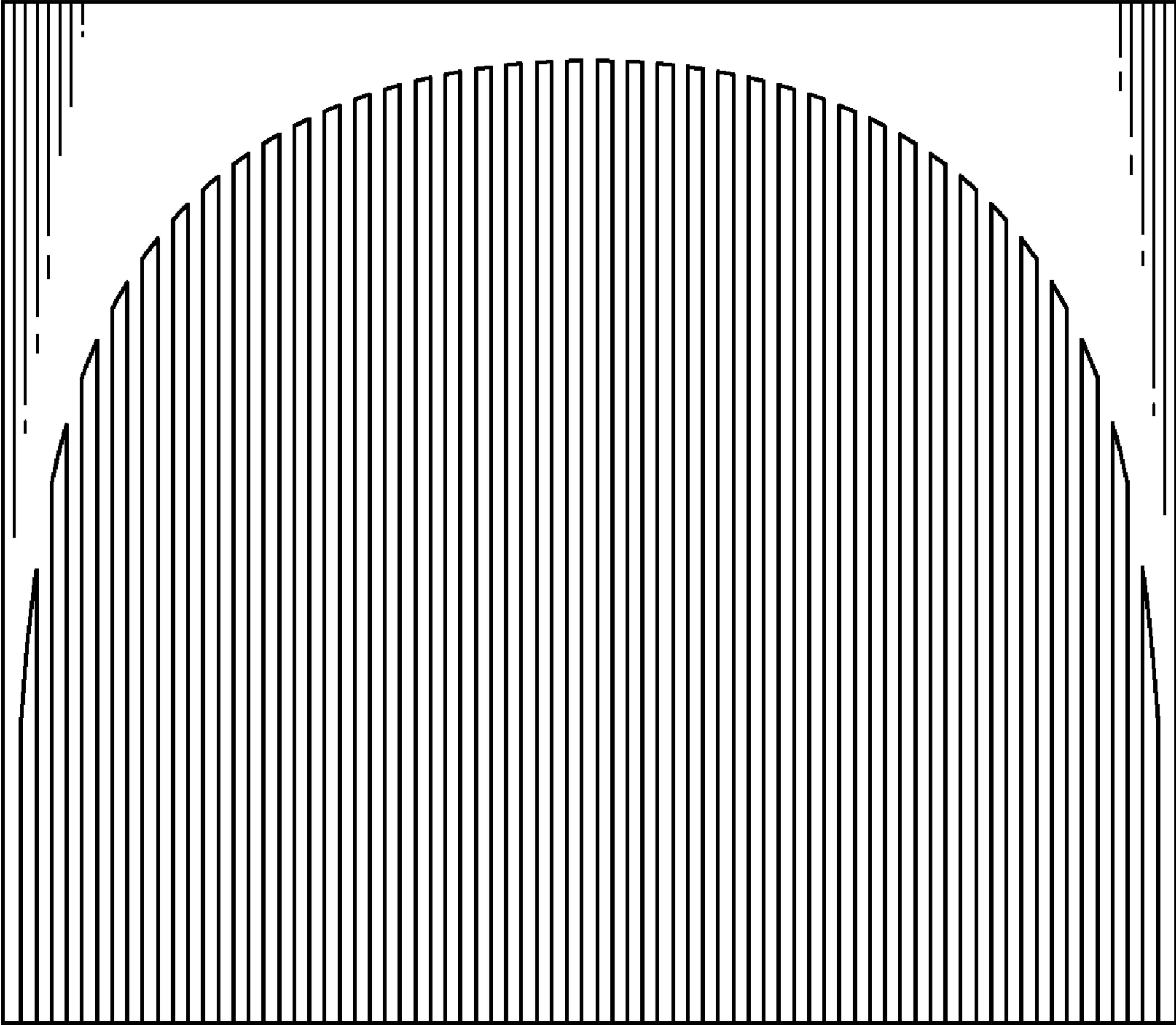


FIG. 2

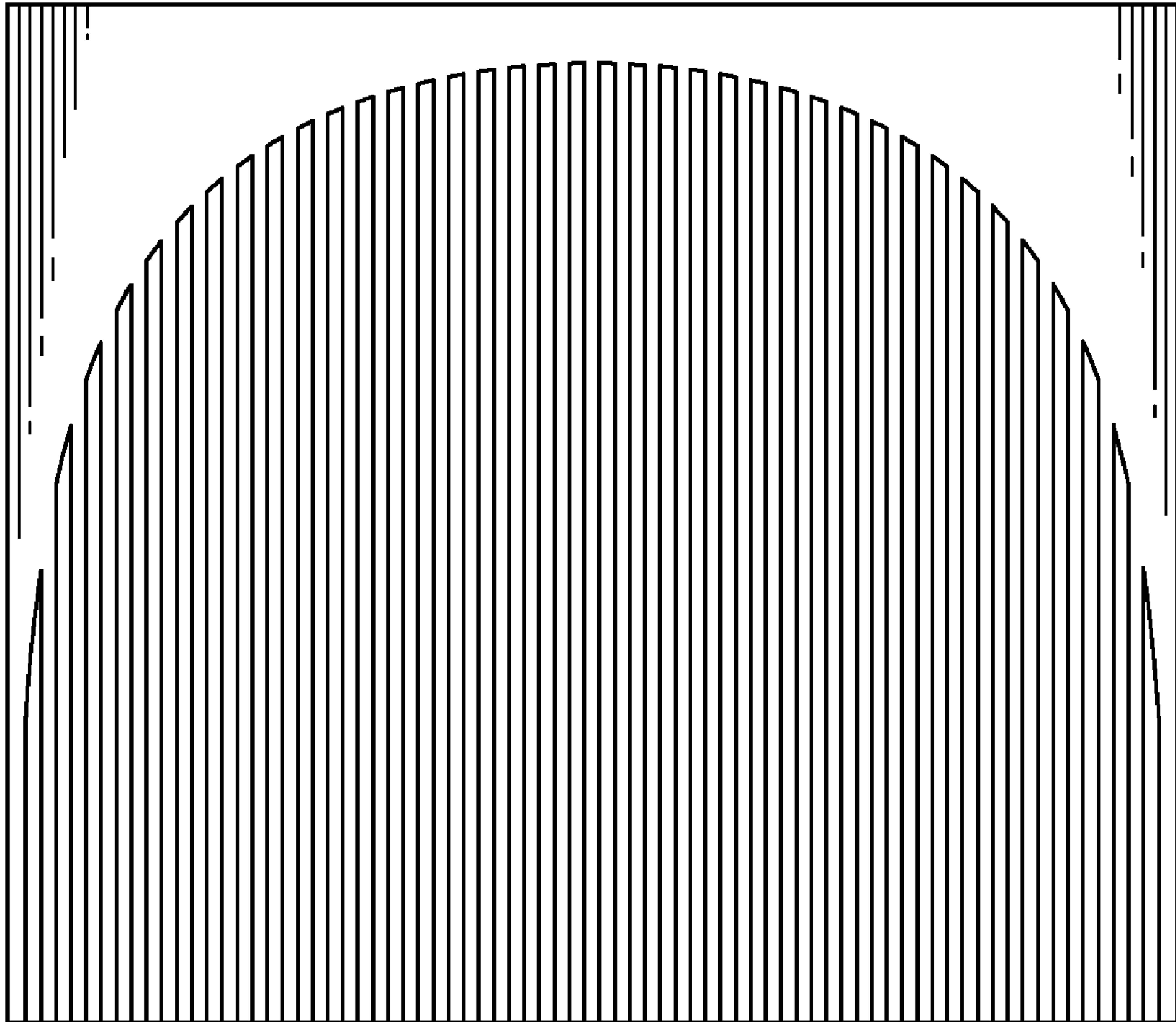


FIG. 3

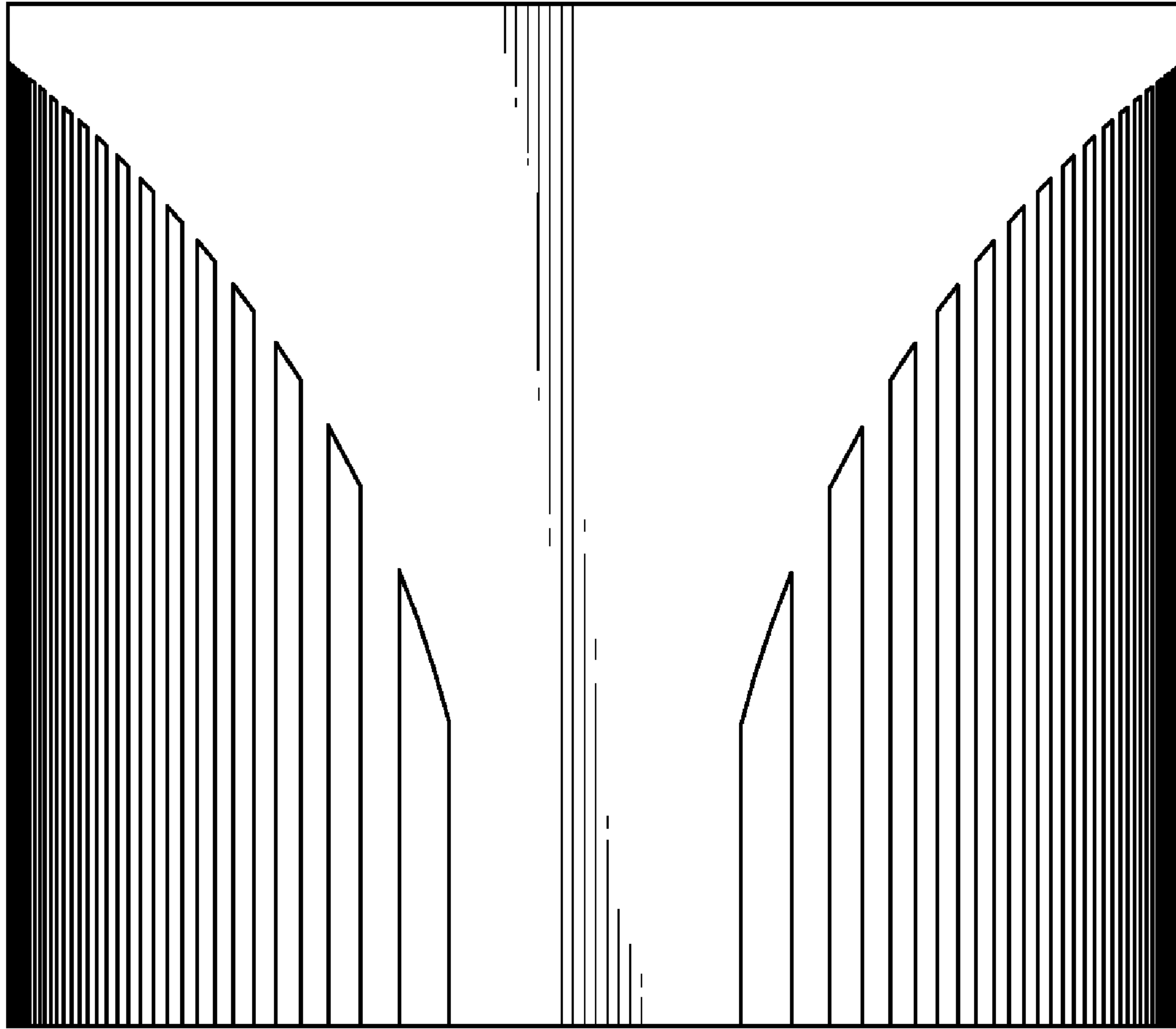


FIG. 4

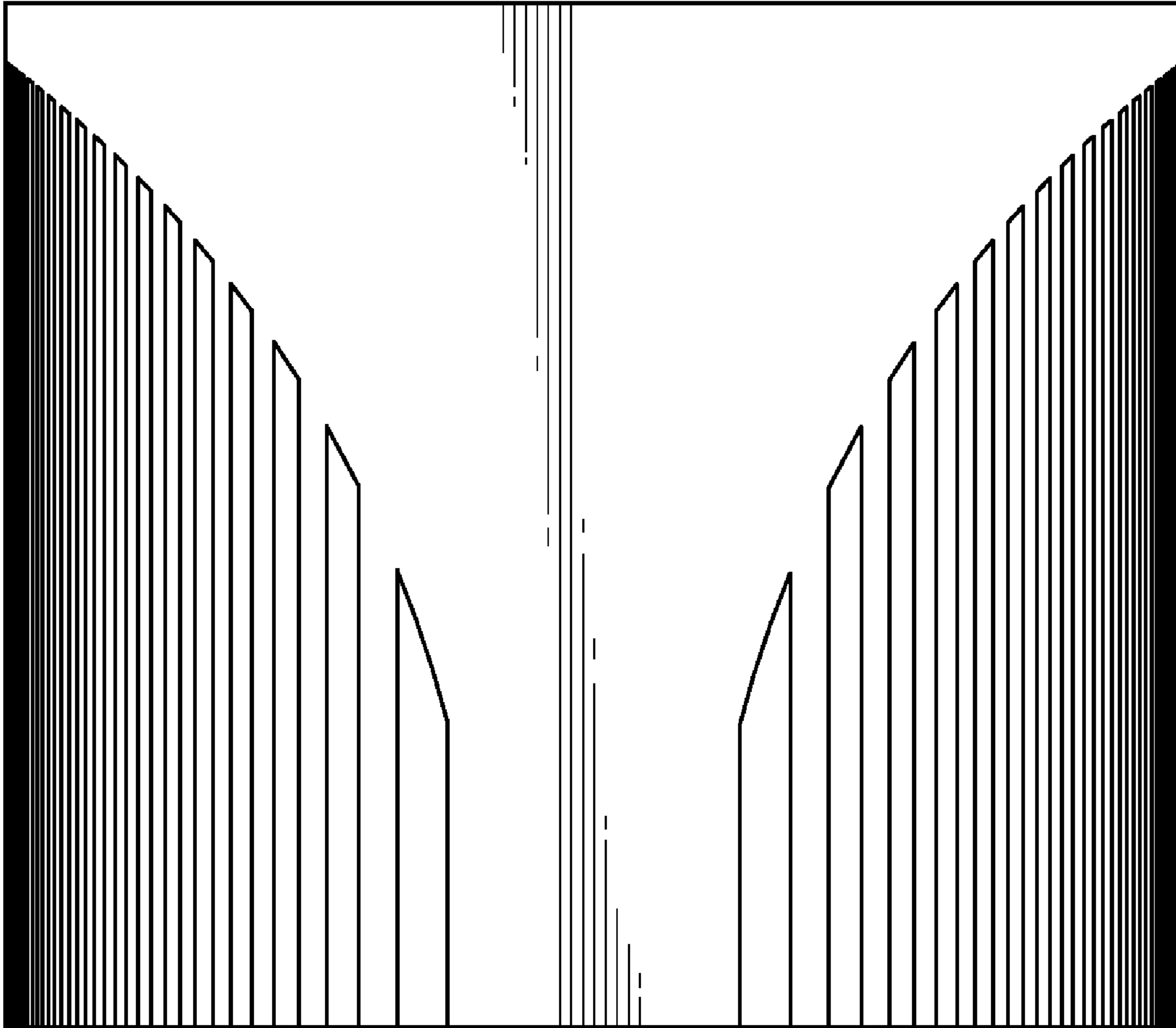


FIG. 5

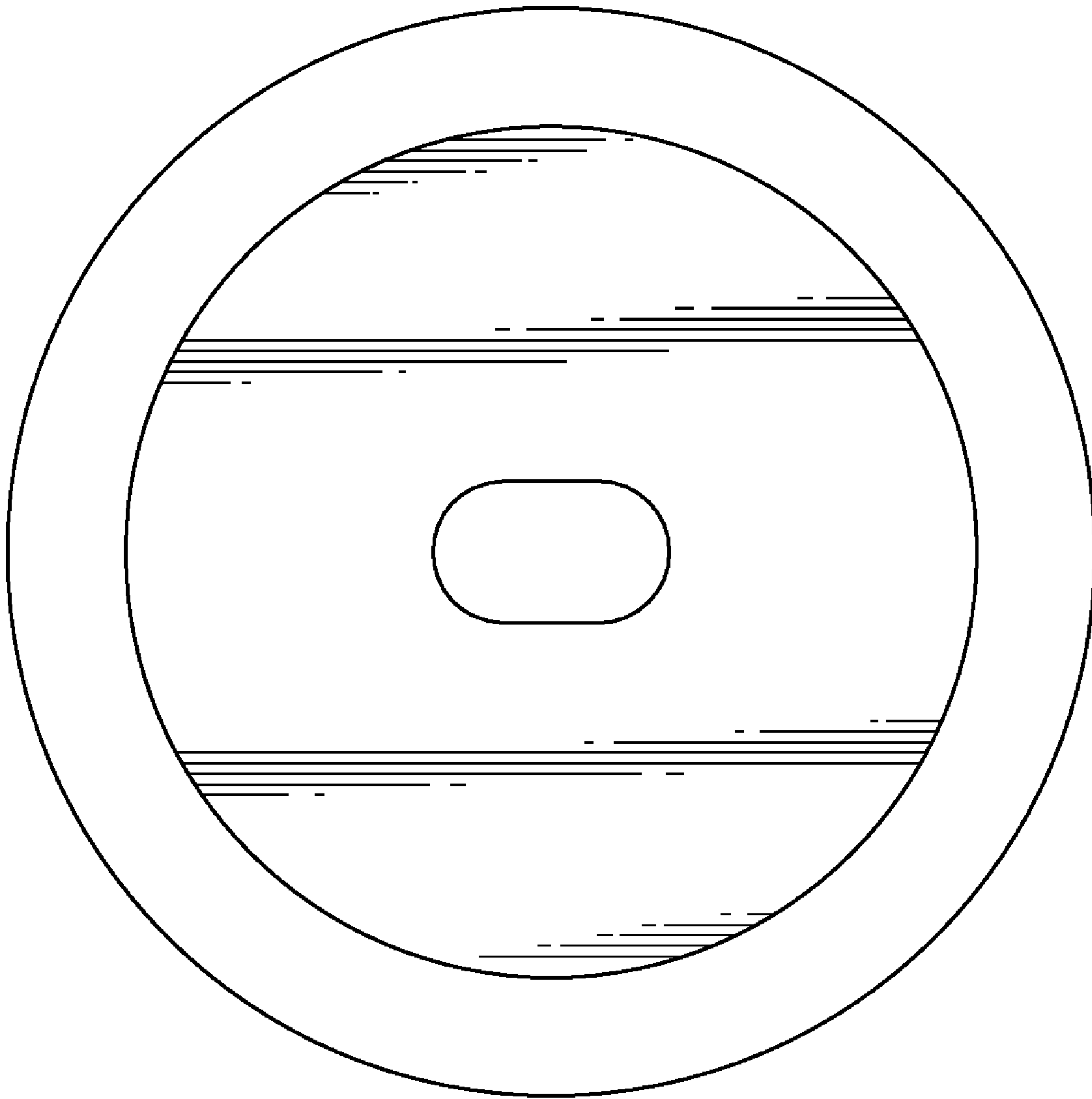


FIG. 6

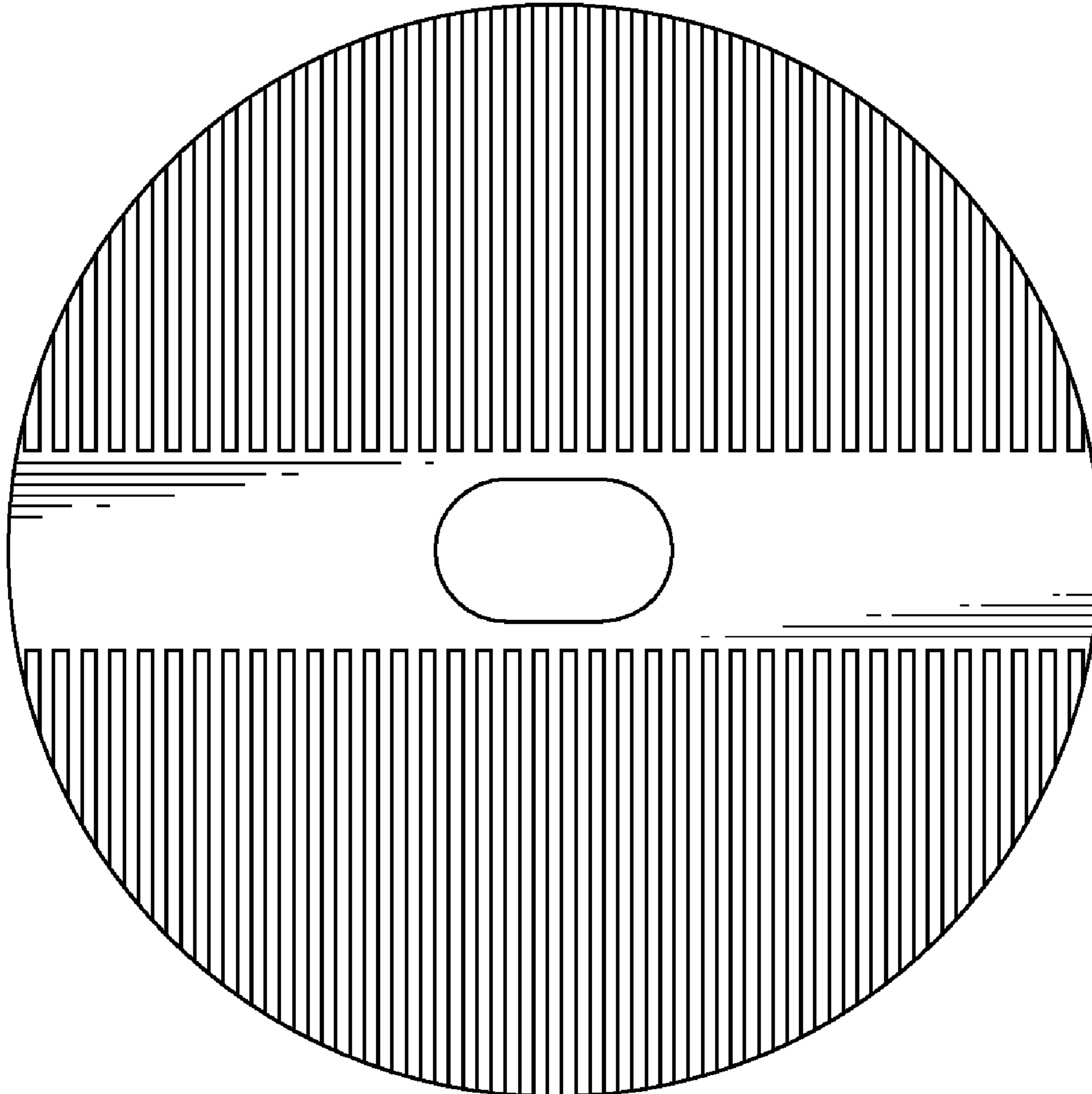


FIG. 7