

US00D579417S

(12) **United States Design Patent**
Stuckmann et al.

(10) **Patent No.:** **US D579,417 S**
(45) **Date of Patent:** **** Oct. 28, 2008**

(54) **HOUSING FOR ELECTRICAL CONNECTORS**

(75) Inventors: **Peter Stuckmann**, Lage (DE); **Uwe Arlitt**, Leopoldshoehe (DE); **Paulo Russo**, Lage (DE); **John Witt**, Detmold (DE); **Guenter Lucht**, Horn-Bad Meinberg (DE); **Joachim Bury**, Detmold (DE); **Torsten Diekmann**, Leopoldshoehe (DE); **Andreas Wedler**, Detmold (DE); **Thomas Salomon**, Guetersloh (DE); **Thomas Pieper**, Geseke (DE)

(73) Assignee: **Weidmueller Interface GmbH & Co. KG**, Detmold (DE)

(**) Term: **14 Years**

(21) Appl. No.: **29/290,829**

(22) Filed: **Jan. 17, 2008**

Related U.S. Application Data

(62) Division of application No. 29/274,302, filed on Apr. 13, 2007, now Pat. No. Des. 563,895.

(30) **Foreign Application Priority Data**

Oct. 13, 2006 (EM) 000605266

(51) **LOC (8) Cl.** **13-03**

(52) **U.S. Cl.** **D13/152**

(58) **Field of Classification Search** D13/139.4, D13/152, 156, 184; 174/50, 53-55, 58, 60, 174/66, 67; 220/3.2, 3.3, 3.7-3.9, 241, 242, 220/244, 315; 439/135, 136, 138, 142, 367, 439/373, 535, 536, 537, 541, 892, 938

See application file for complete search history.

(56) **References Cited**

U.S. PATENT DOCUMENTS

946,646 A * 1/1910 Pratt 220/3.8

1,283,749 A * 11/1918 Hauer 220/3.8
D312,244 S 11/1990 Collins et al.
D342,233 S * 12/1993 Berlin et al. D13/156
D360,877 S 8/1995 Ropponen et al.
D399,190 S 10/1998 Dale et al.
D437,586 S * 2/2001 Sonntag D13/184
D450,666 S 11/2001 Scribner
D471,159 S * 3/2003 Albicker D13/152
D478,553 S 8/2003 Heggem
D499,330 S 12/2004 Peato
D507,241 S 7/2005 Koessler
D529,447 S 10/2006 Greenfield
D531,961 S 11/2006 Greenfield
D532,380 S 11/2006 Castaldo et al.
D533,510 S * 12/2006 Guercio D13/152
D556,143 S * 11/2007 Ni D13/152
D556,145 S 11/2007 Williams et al.
2006/0231282 A1 10/2006 Greenfield
2007/0181328 A1 8/2007 Dinh

* cited by examiner

Primary Examiner—Jennifer Rivard

Assistant Examiner—Rosemary K Tarcza

(74) *Attorney, Agent, or Firm*—Crowell & Moring LLP

(57) **CLAIM**

The ornamental design for a housing for electrical connectors, as shown and described.

DESCRIPTION

FIG. 1 is a front perspective view of a housing for electrical connectors according to our novel design;

FIG. 2 is a right side view thereof;

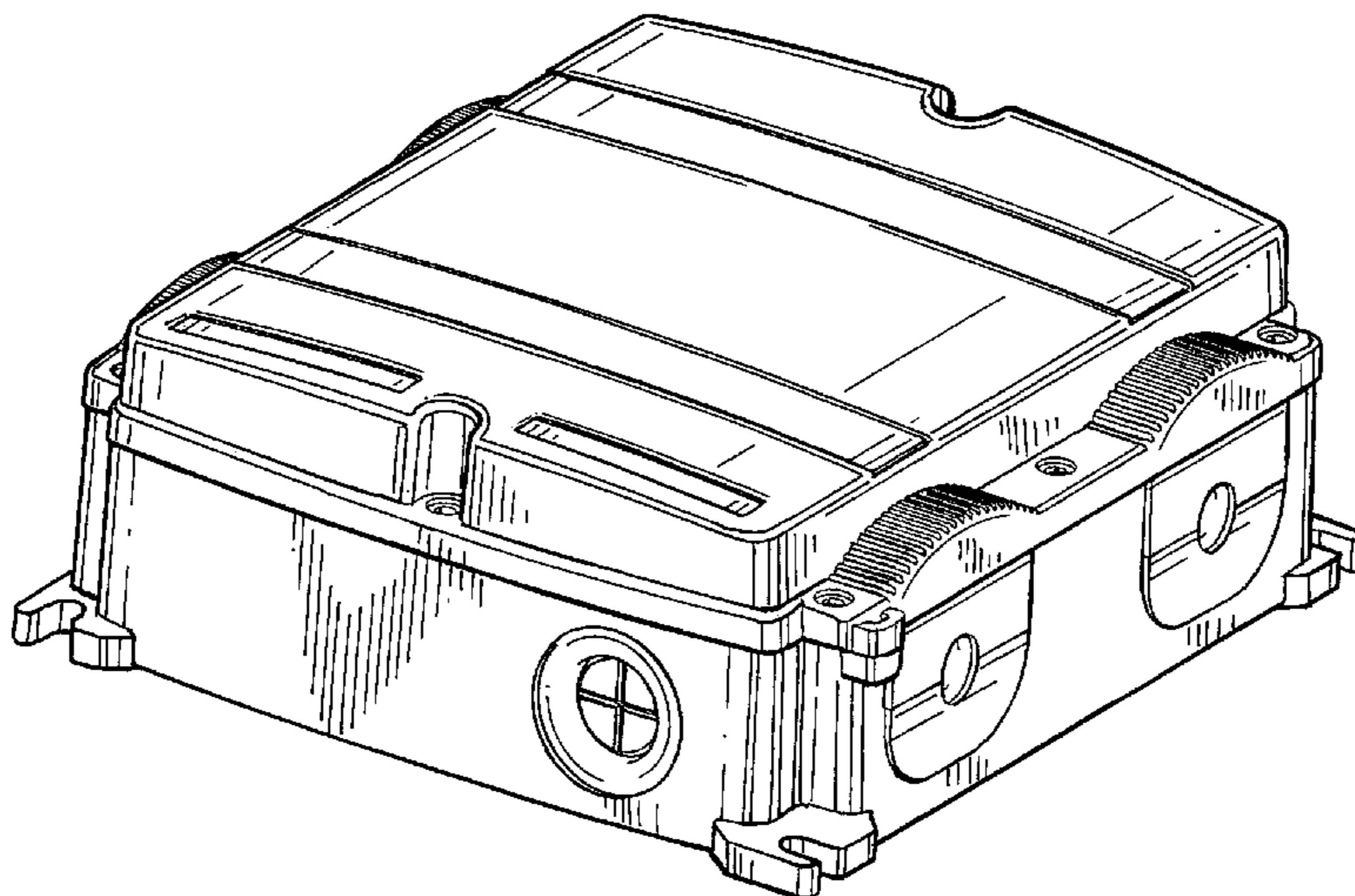
FIG. 3 is a left side view thereof;

FIG. 4 is a front view thereof;

FIG. 5 is a rear view thereof; and,

FIG. 6 is a top view thereof.

1 Claim, 3 Drawing Sheets



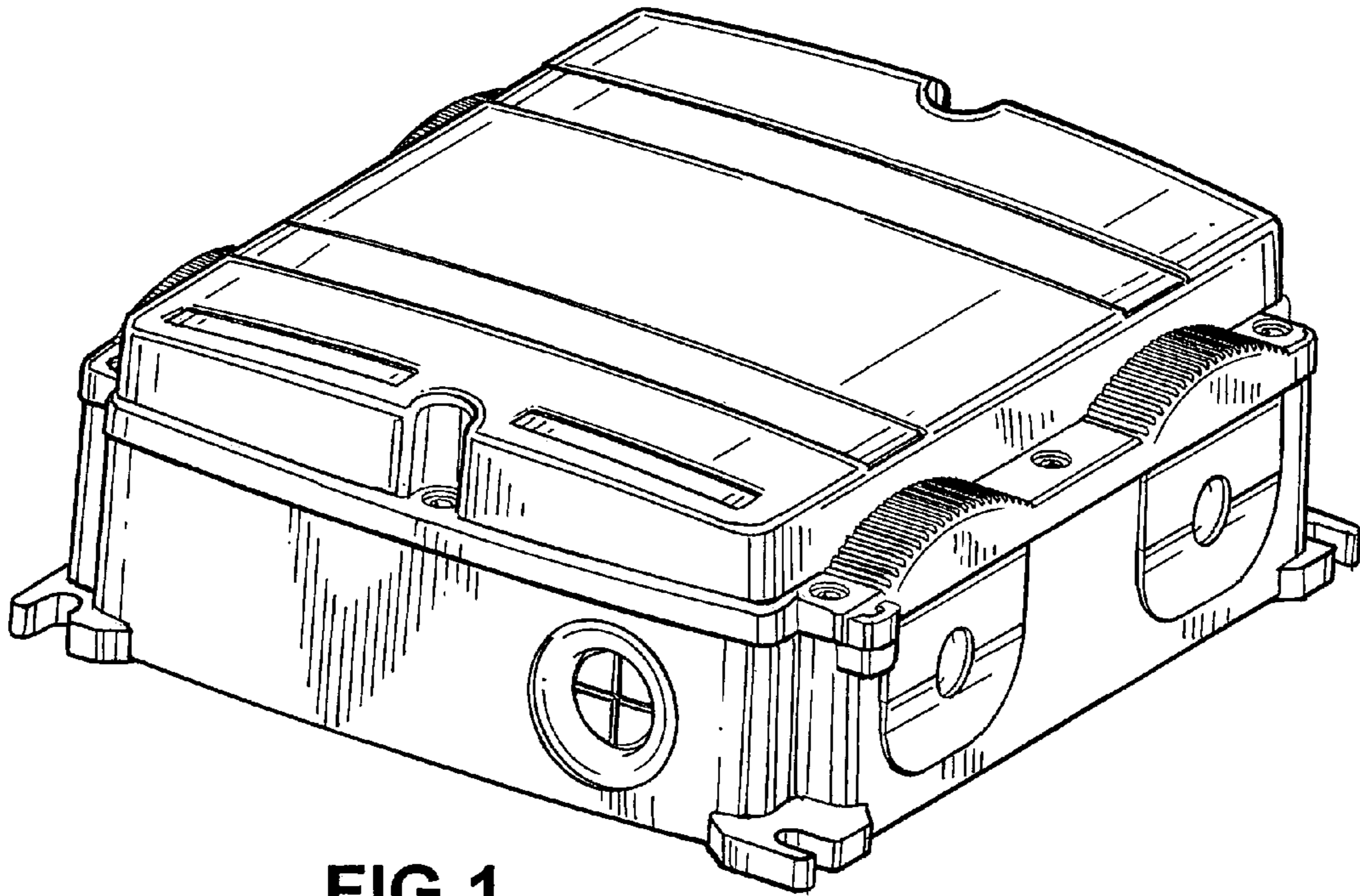


FIG. 1

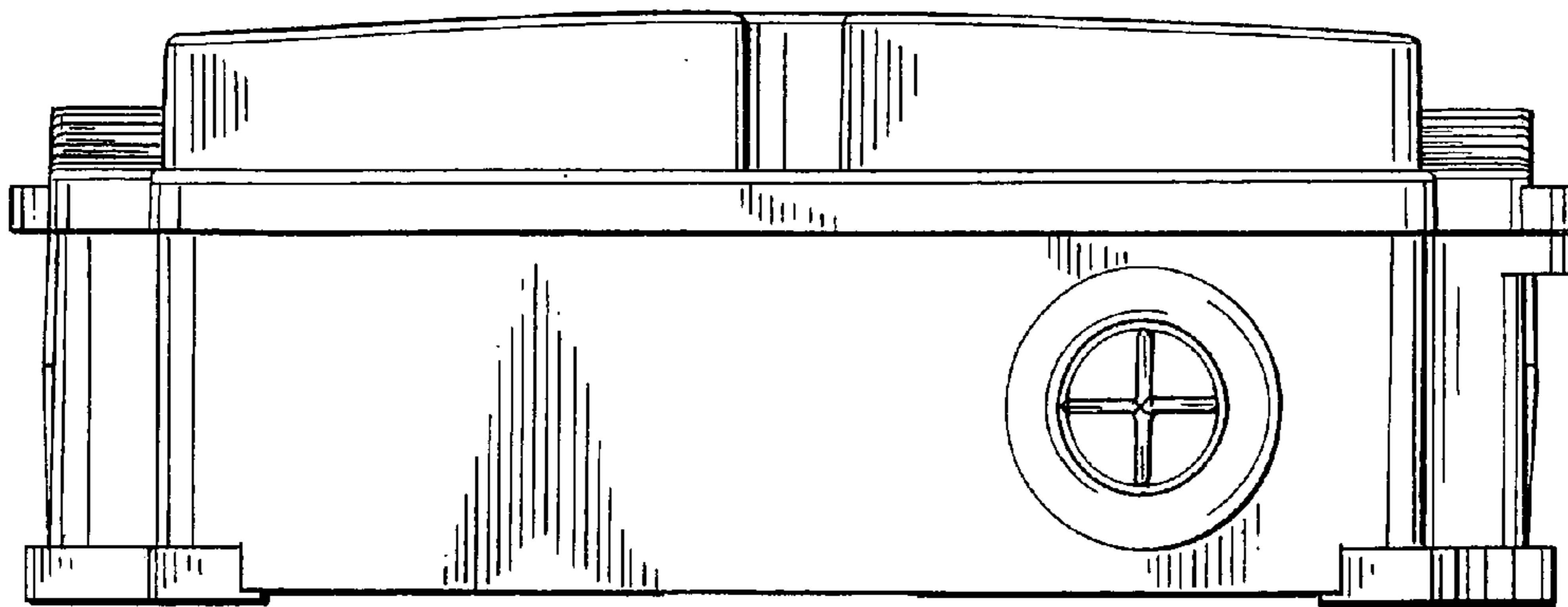


FIG. 2

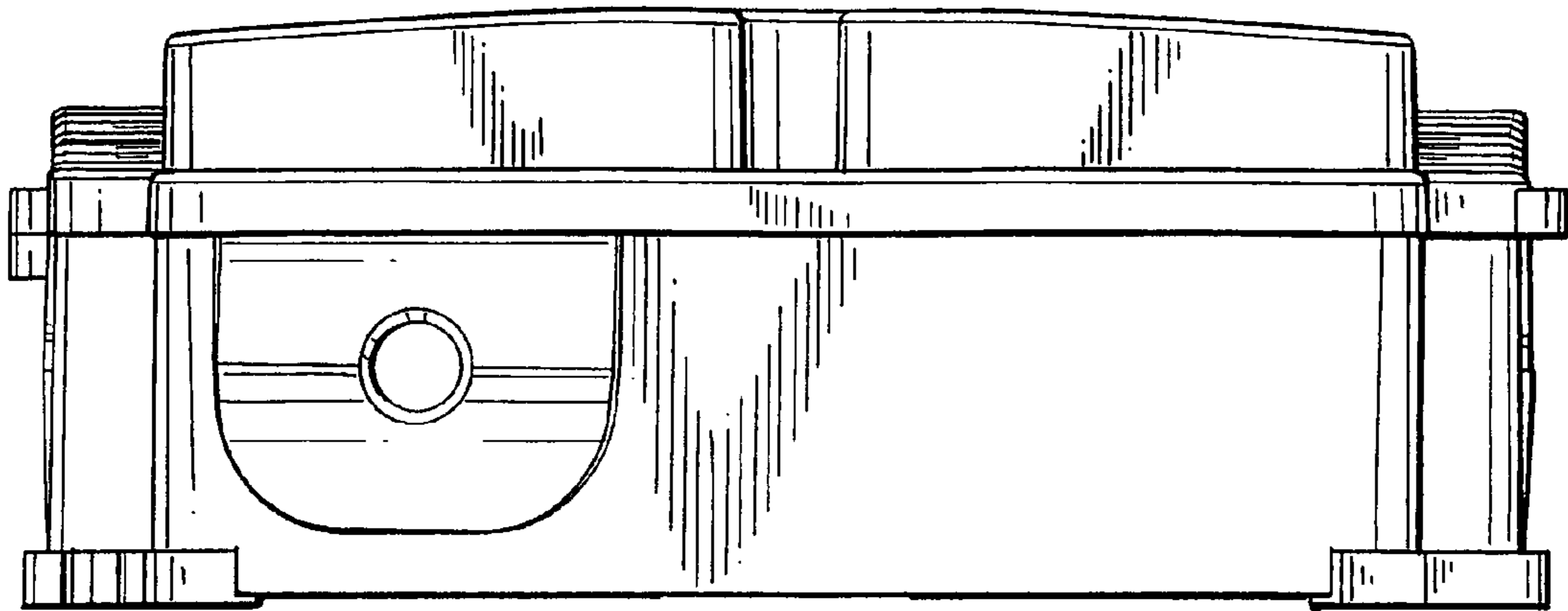


FIG. 3

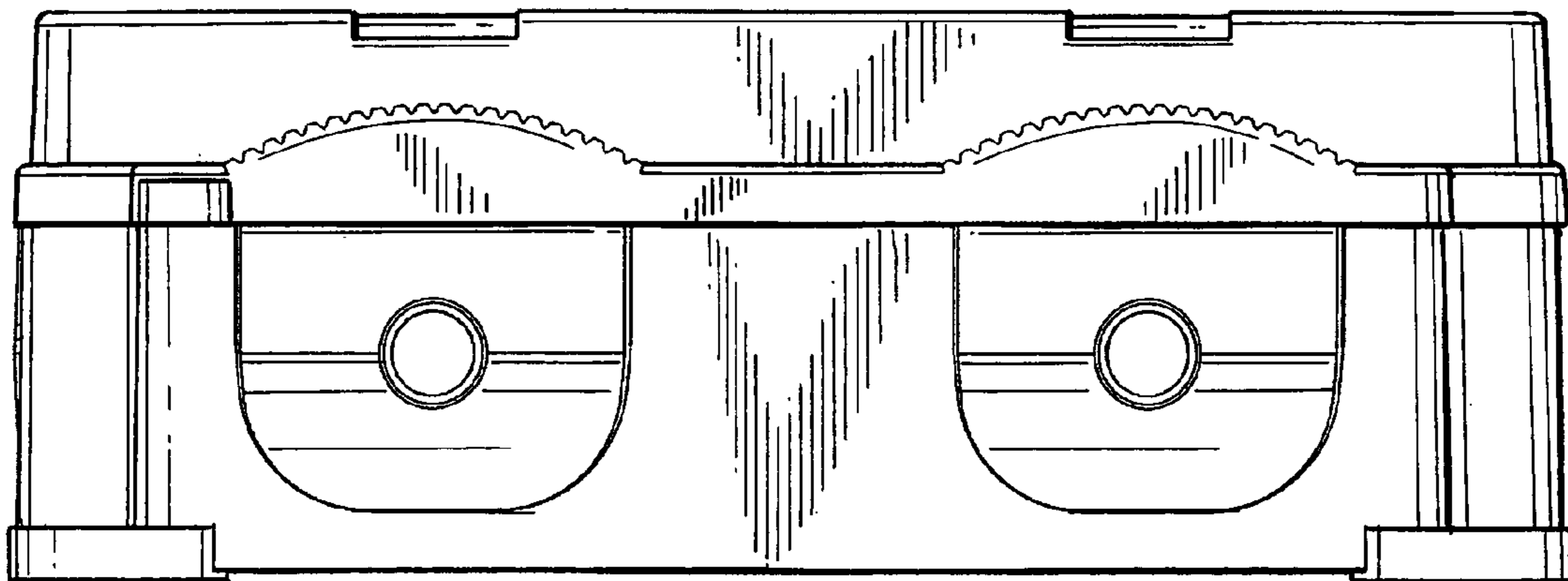


FIG. 4

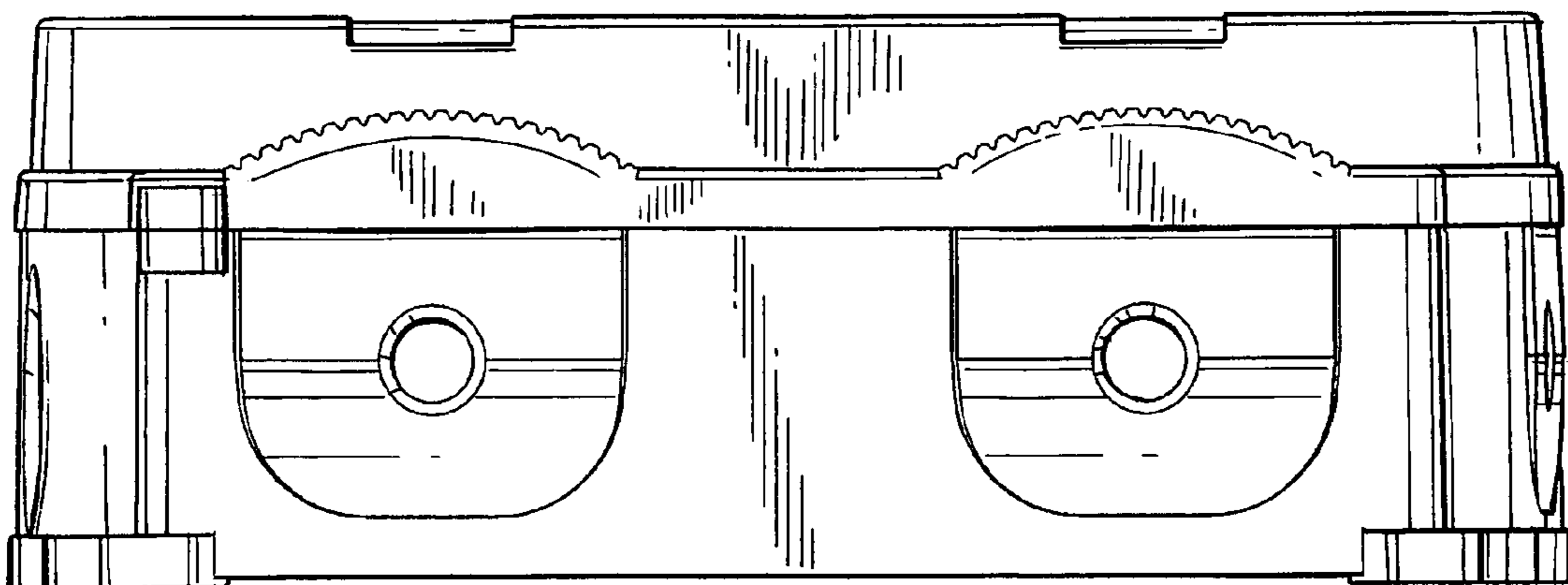


FIG. 5

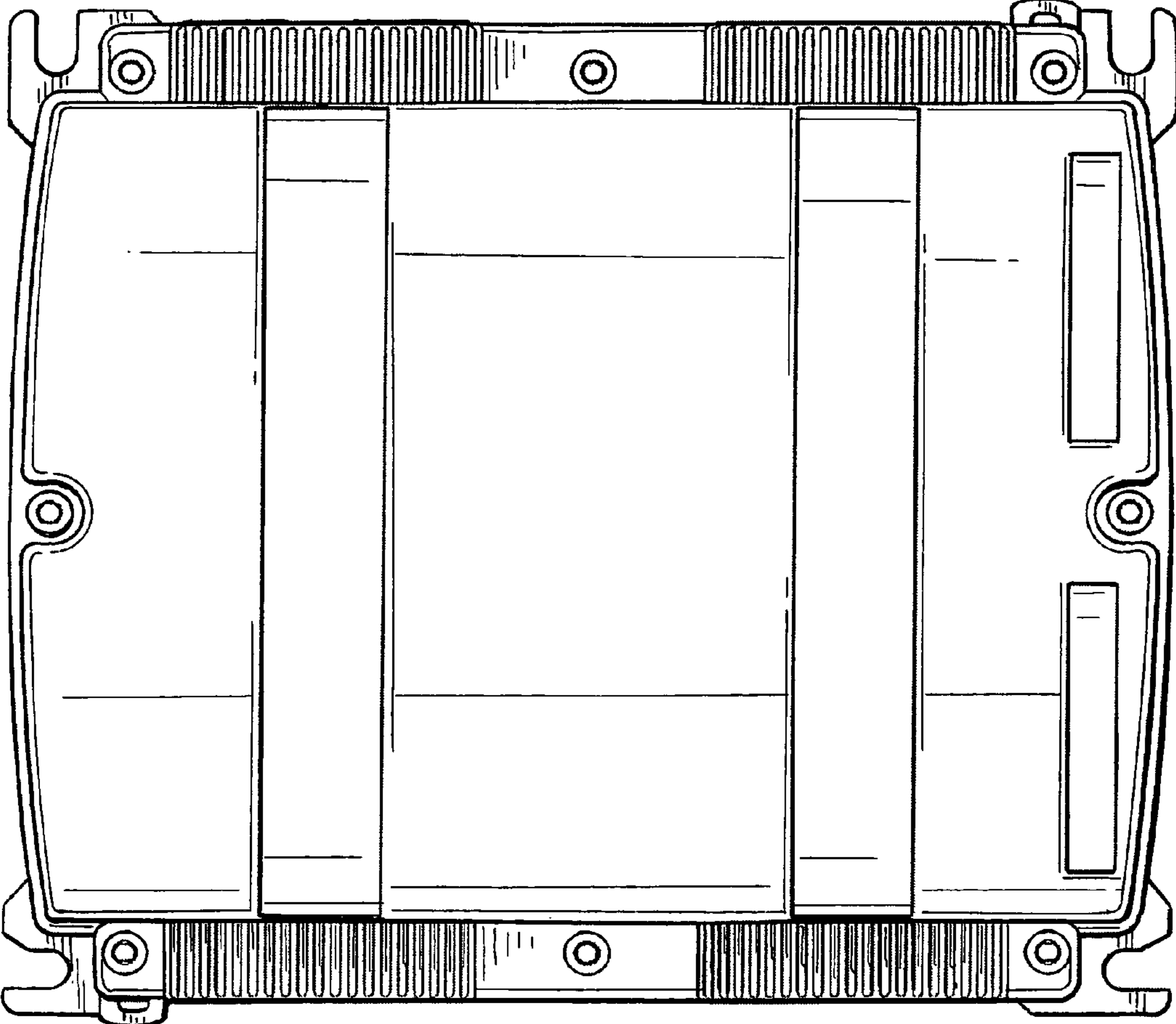


FIG.6