



US00D579412S

(12) **United States Design Patent**
Mangone, Jr.

(10) **Patent No.:** **US D579,412 S**
(45) **Date of Patent:** **** Oct. 28, 2008**

(54) **DUMMY PLUG FOR A MODULAR JACK**

7,110,533 B2 9/2006 Cooke
7,204,721 B2 * 4/2007 Lundholm et al. 439/676

(76) Inventor: **Peter G. Mangone, Jr.**, 2113 Montane Dr., Golden, CO (US) 80401

* cited by examiner

(**) Term: **14 Years**

Primary Examiner—Daniel D Bui
Assistant Examiner—Thomas J Johannes

(21) Appl. No.: **29/268,201**

(74) *Attorney, Agent, or Firm*—Drinker Biddle & Reath LLP

(22) Filed: **Oct. 31, 2006**

(57) **CLAIM**

(51) **LOC (8) Cl.** **13-03**

The ornamental design for a dummy plug for a modular jack, as shown and described.

(52) **U.S. Cl.** **D13/133; D13/156**

(58) **Field of Classification Search** D13/133,
D13/154, 156; 439/519, 521, 135, 133, 136;
174/138 F, 135

See application file for complete search history.

DESCRIPTION

(56) **References Cited**

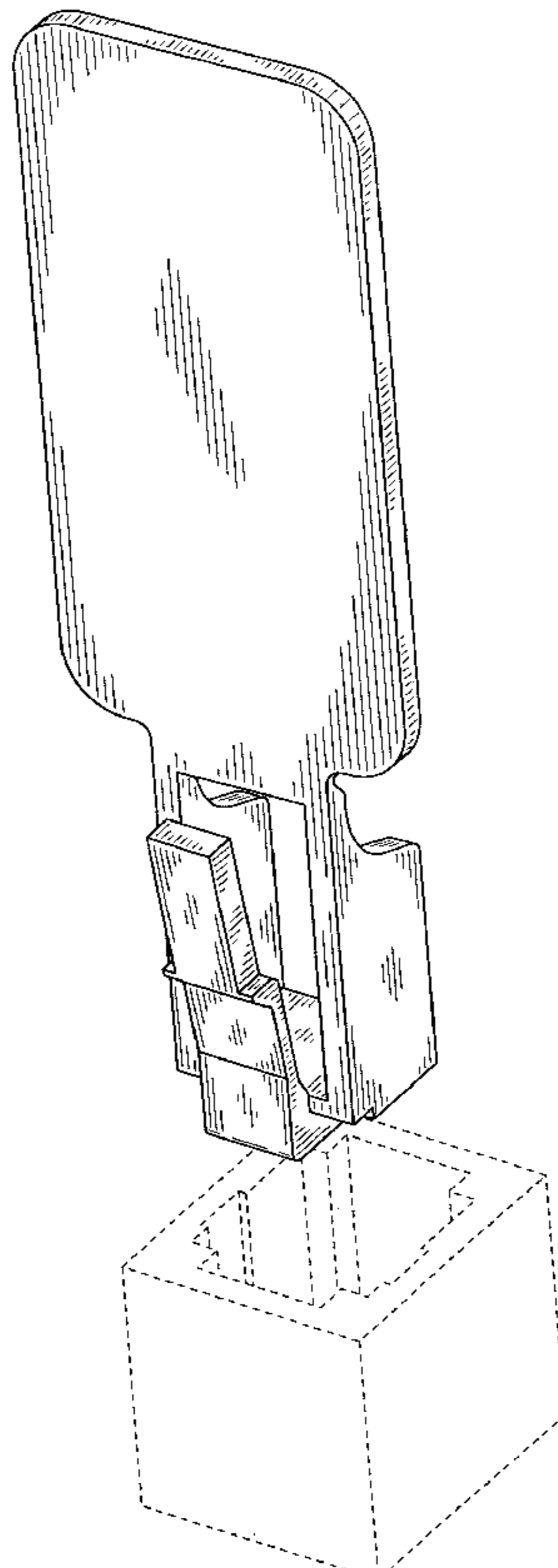
U.S. PATENT DOCUMENTS

4,204,723	A *	5/1980	Bloomingtondale	439/135
5,305,380	A	4/1994	Hileman et al.		
D358,802	S *	5/1995	Kunz	D13/154
D401,902	S *	12/1998	Falls et al.	D13/133
D411,984	S *	7/1999	Wu	D13/156
5,964,614	A	10/1999	Daoud		
D421,247	S *	2/2000	Hoshino	D13/173
6,309,247	B1 *	10/2001	Wang	439/521
D457,500	S *	5/2002	Blashewski et al.	D13/162
D466,479	S *	12/2002	Pein et al.	D13/147
D478,049	S *	8/2003	Garver	D13/147

FIG. 1 is a bottom perspective view of a dummy plug for a modular jack, showing my new design;
FIG. 2 is a top perspective view thereof;
FIG. 3 is a bottom plan view thereof;
FIG. 4 is a top plan view thereof;
FIG. 5 is a right side elevation thereof; the left side elevation being a mirror image thereto;
FIG. 6 is a rear elevation view thereof; and,
FIG. 7 is a front elevation view thereof.

The broken line showing of the modular jack in FIG. 1 is included to show unclaimed environmental subject matter only and forms no part of the claimed design.

1 Claim, 3 Drawing Sheets



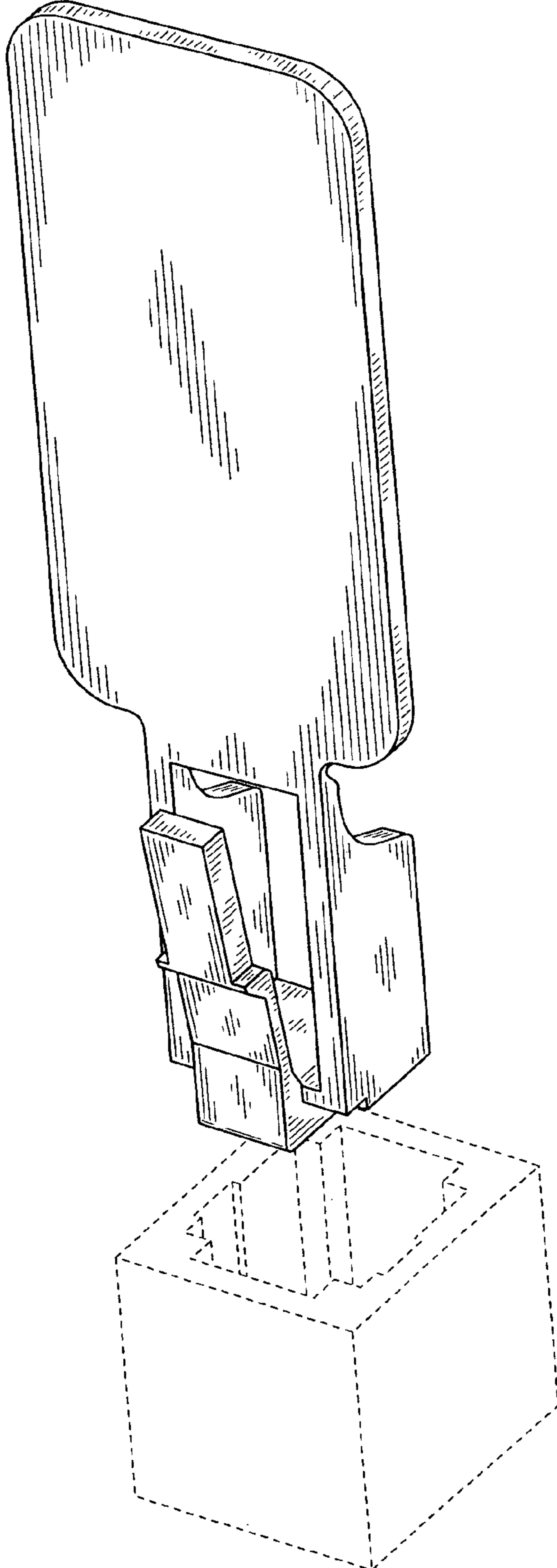


FIG. 1

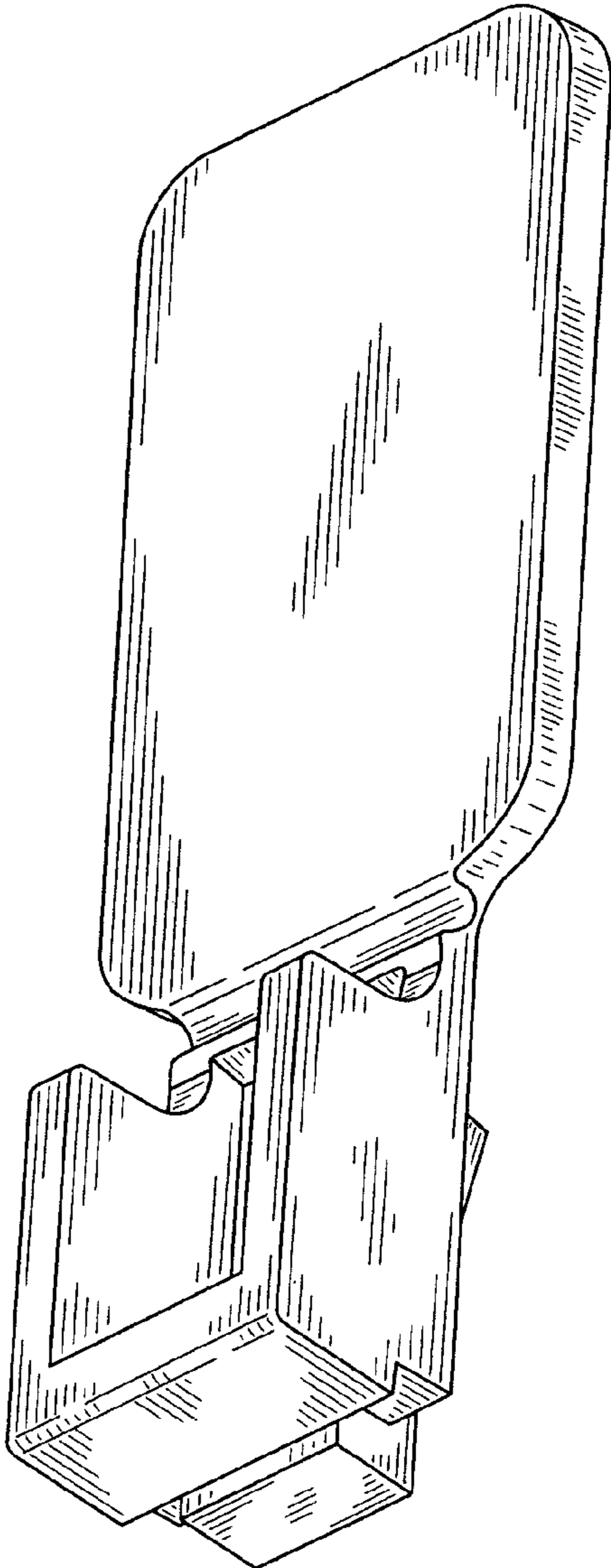


FIG. 2

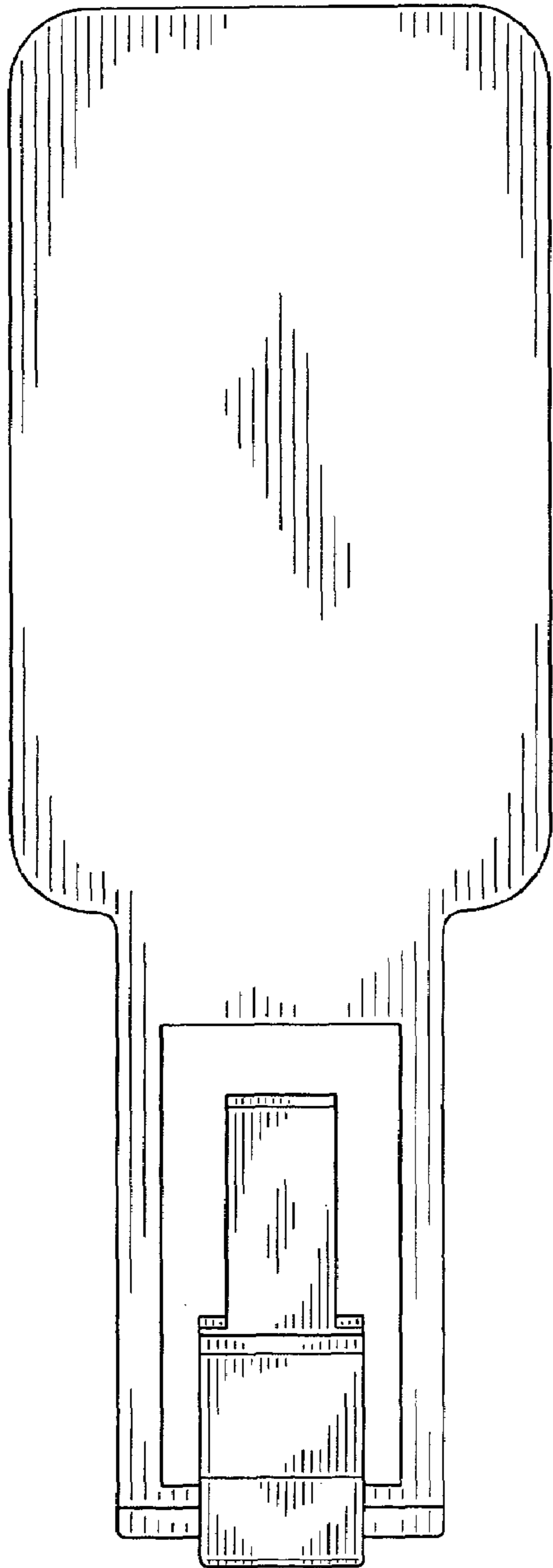


FIG. 3

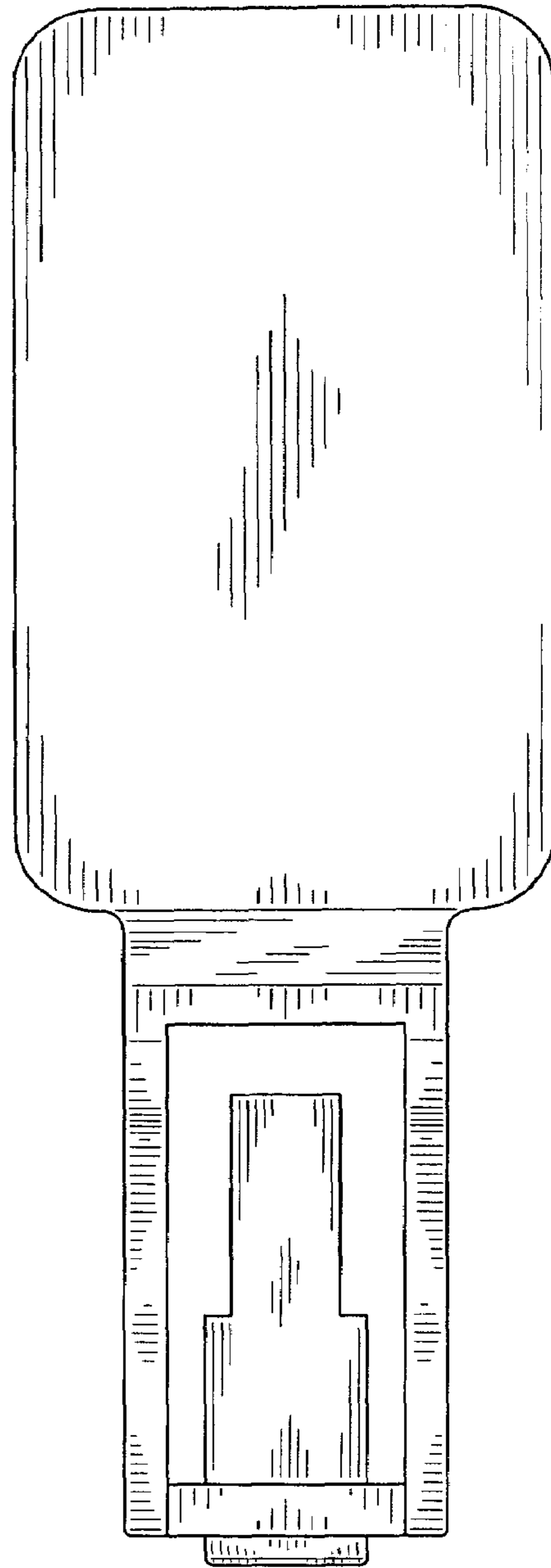


FIG. 4

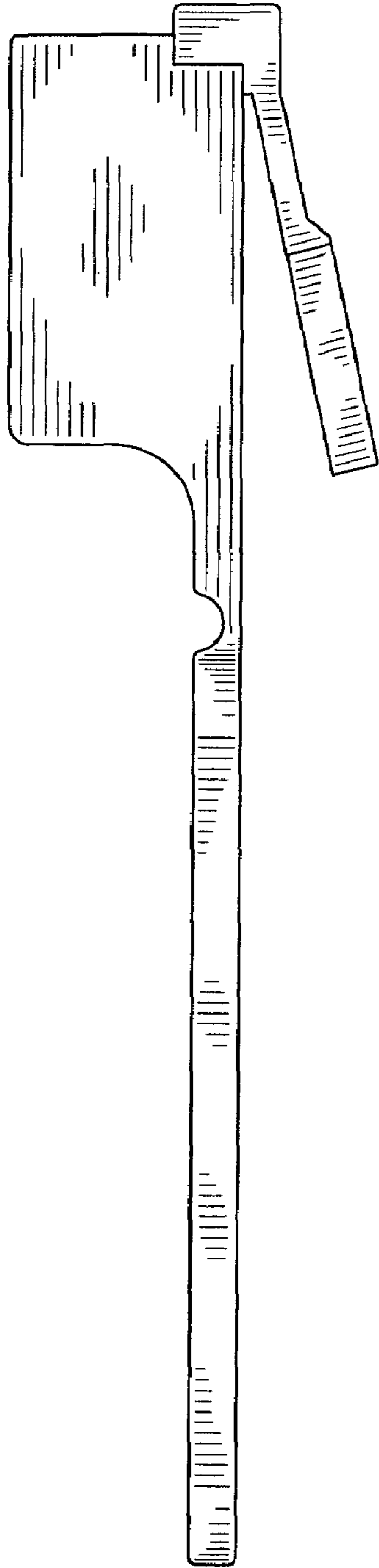


FIG. 5

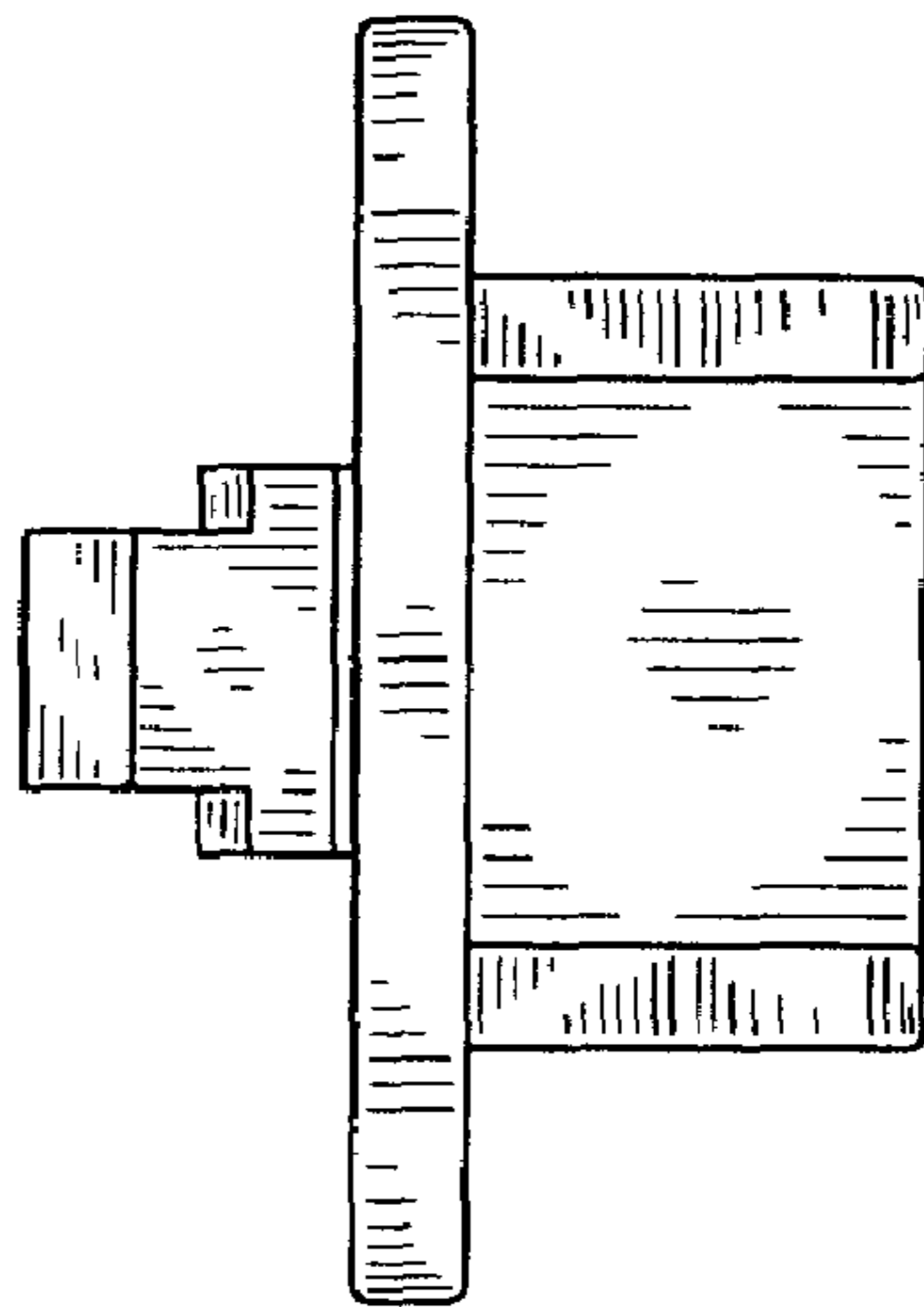


FIG. 6

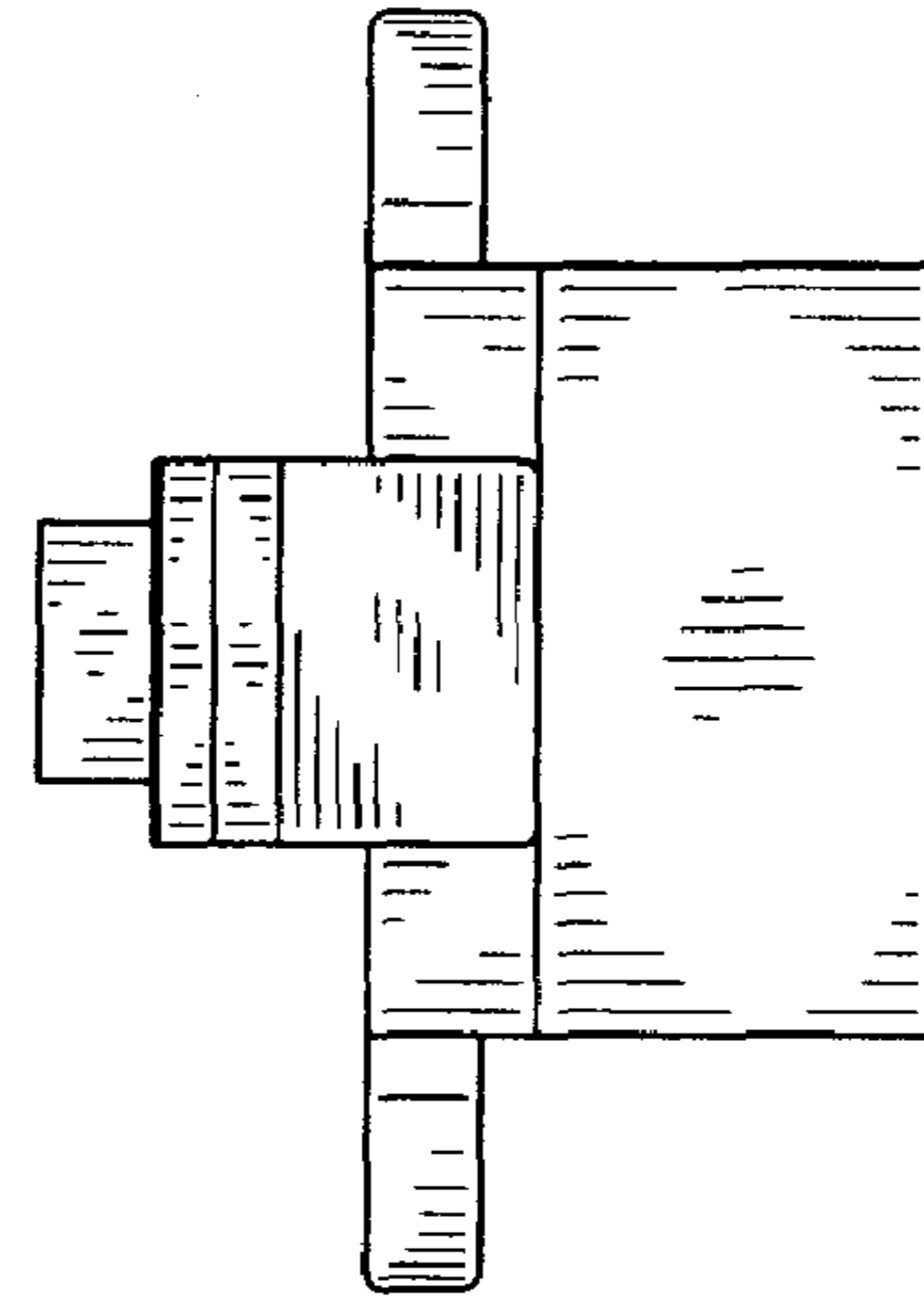


FIG. 7