



US00D579410S

(12) **United States Design Patent**  
**Hanada et al.**

(10) **Patent No.:** **US D579,410 S**

(45) **Date of Patent:** **\*\* Oct. 28, 2008**

(54) **CONVERTER**

(75) Inventors: **Akifumi Hanada**, Iizuka (JP);  
**Haruyoshi Nogami**, Iizuka (JP)

(73) Assignee: **Mitsumi Electric Co., Ltd.**, Tokyo (JP)

(\*\*) Term: **14 Years**

(21) Appl. No.: **29/303,445**

(22) Filed: **Feb. 8, 2008**

(30) **Foreign Application Priority Data**

Aug. 10, 2007 (JP) ..... 2007-021871

(51) **LOC (8) Cl.** ..... **13-02**

(52) **U.S. Cl.** ..... **D13/110**

(58) **Field of Classification Search** ..... D13/110,  
D13/101, 107, 108, 123, 133, 138.1, 199;  
307/150, 151; 320/111, 114; 363/15, 34,  
363/146; 439/131, 172, 173, 668, 669

See application file for complete search history.

(56) **References Cited**

**U.S. PATENT DOCUMENTS**

D350,113 S \* 8/1994 Nagele ..... D13/110  
6,086,395 A \* 7/2000 Lloyd et al. .... 439/172  
D432,497 S \* 10/2000 Totsuka et al. .... D13/110  
D452,842 S \* 1/2002 Kajiwara et al. .... D13/110  
D474,739 S \* 5/2003 Chang ..... D13/110

D481,674 S \* 11/2003 Sade et al. .... D13/108  
D517,985 S \* 3/2006 Hirabayashi et al. .... D13/110  
D520,448 S \* 5/2006 Lodato et al. .... D13/110

\* cited by examiner

*Primary Examiner*—Prabhakar Deshmukh

*Assistant Examiner*—Derrick Holland

(74) *Attorney, Agent, or Firm*—Sughrue Mion, PLLC

(57) **CLAIM**

The ornamental design for a converter, as shown and described.

**DESCRIPTION**

FIG. 1 is a perspective view of the top, front and left side of a converter showing our new design:

FIG. 2 is a perspective view of the bottom, front and left side thereof;

FIG. 3 is a top plan view thereof;

FIG. 4 is a front elevational view thereof;

FIG. 5 is a left side elevational view thereof;

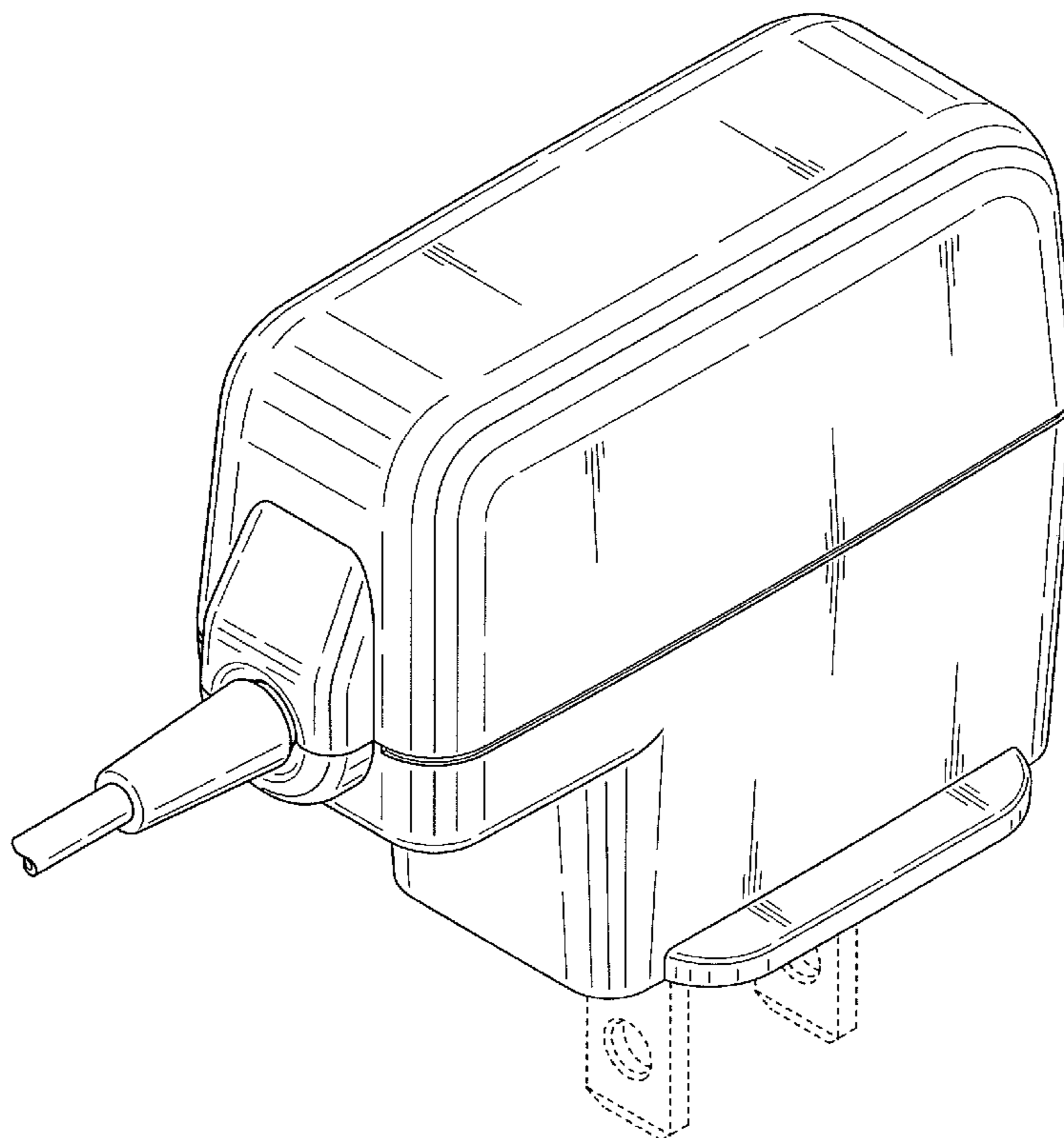
FIG. 6 is a right side elevational view thereof;

FIG. 7 is a rear elevational view thereof; and,

FIG. 8 is a bottom plan view thereof.

The portions shown in broken lines are for illustrative purposes only and form no part of the claimed design.

**1 Claim, 5 Drawing Sheets**



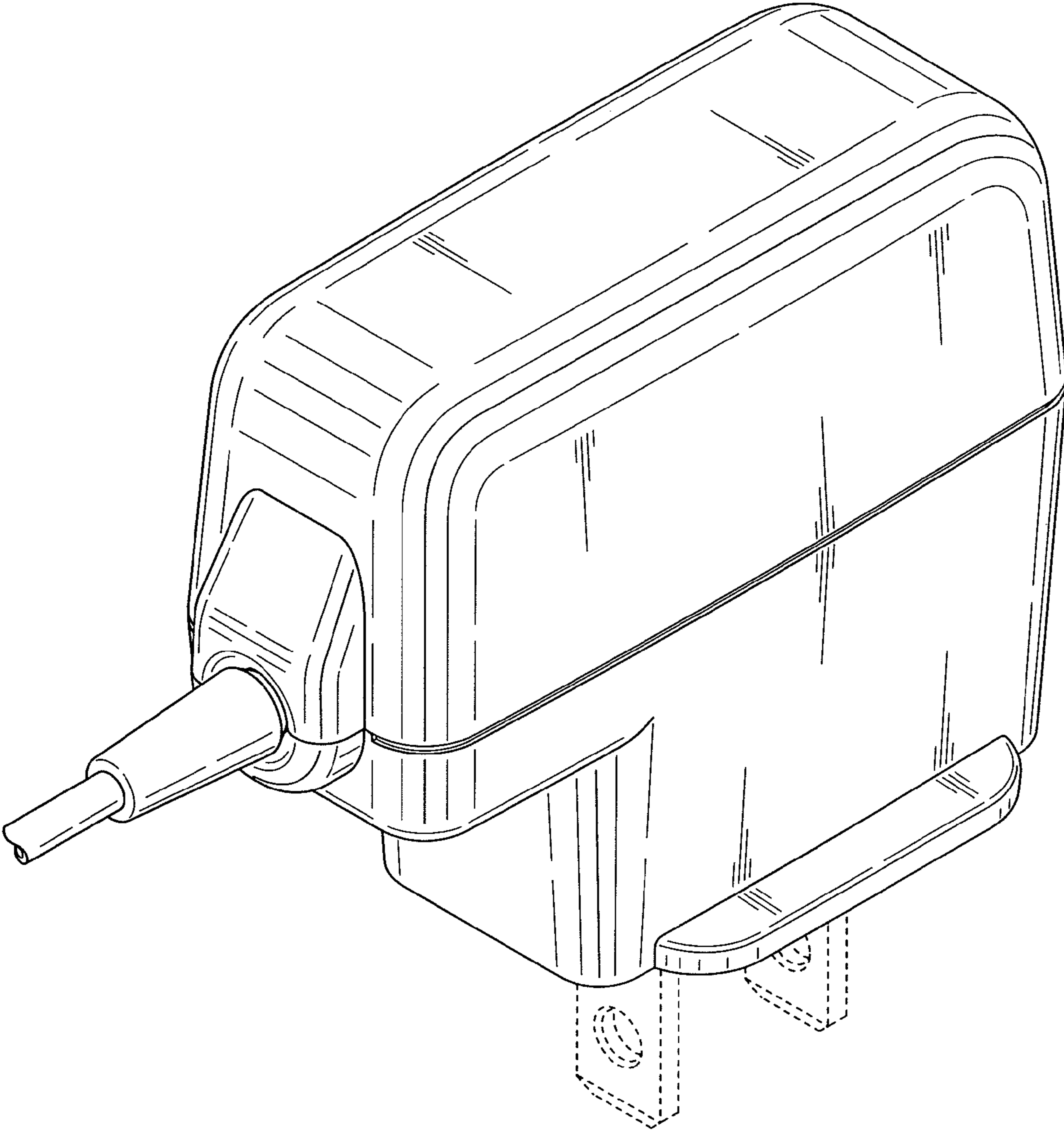
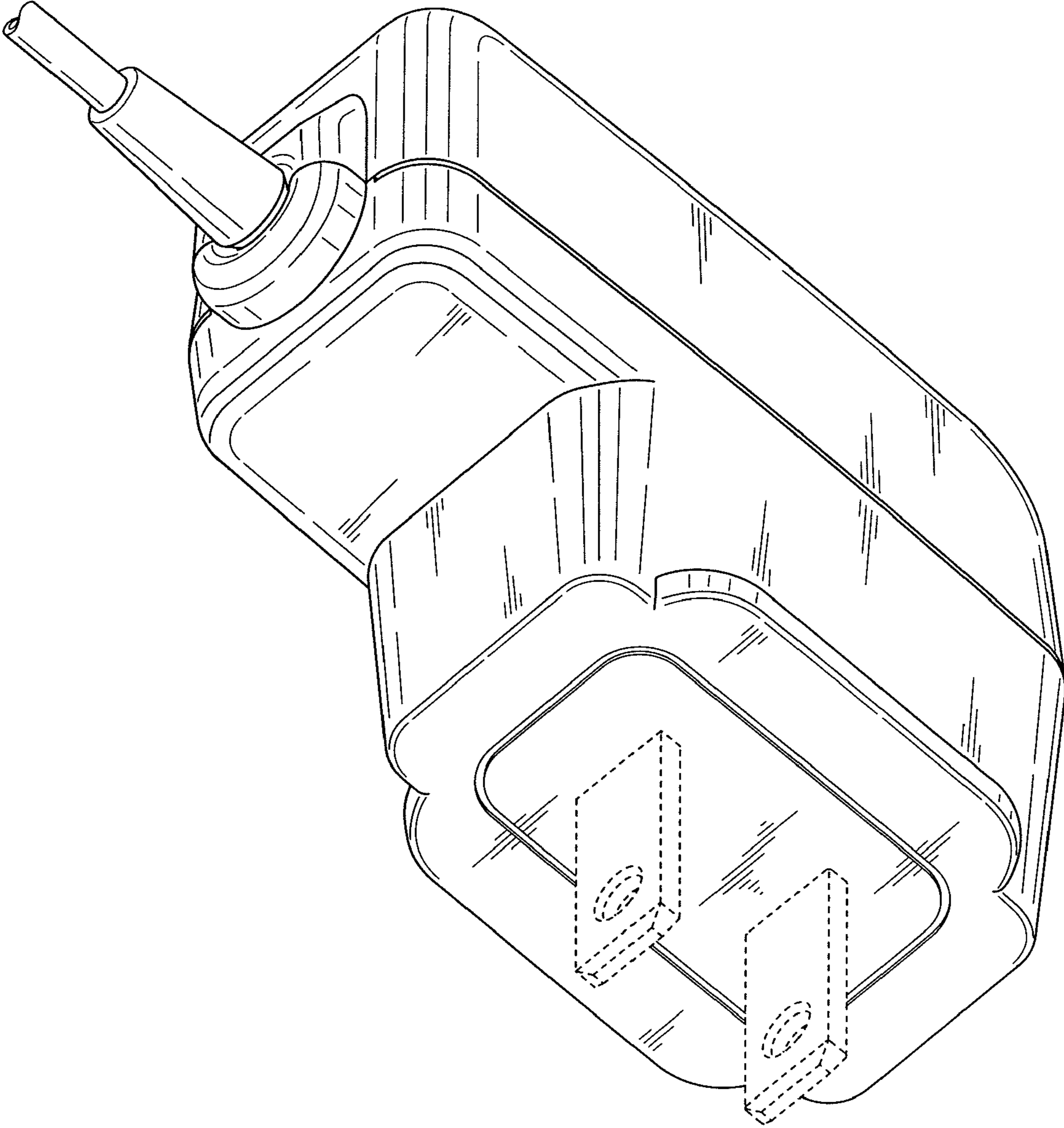
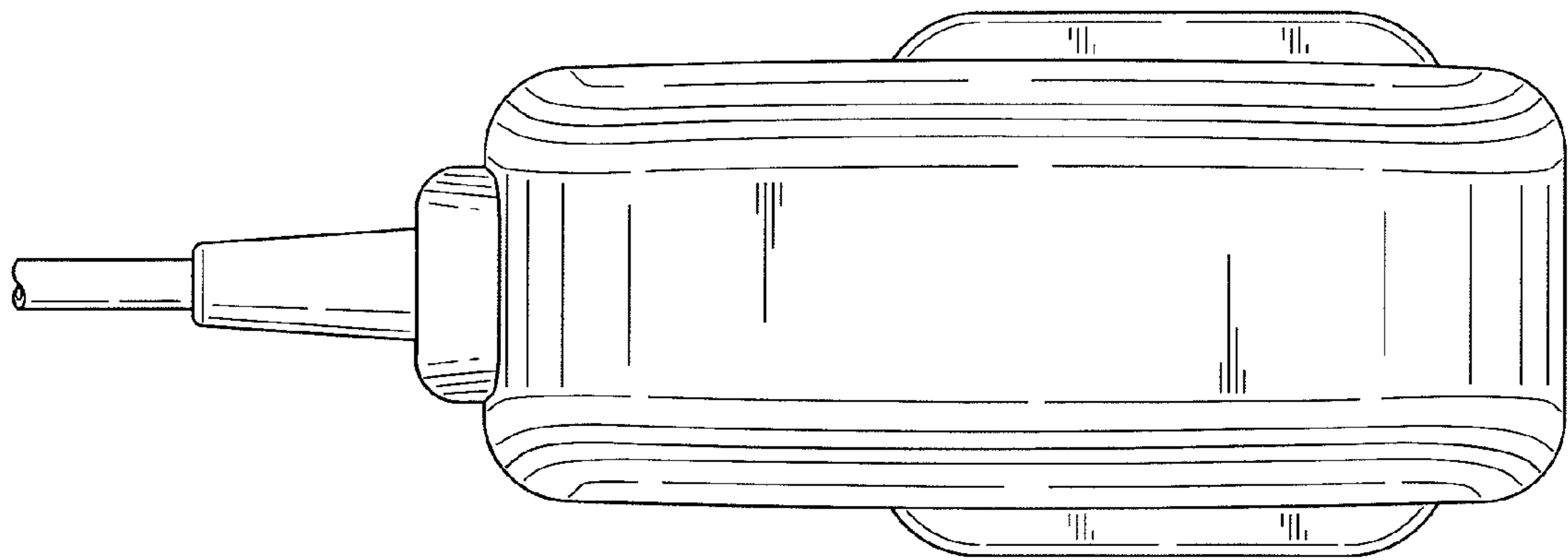


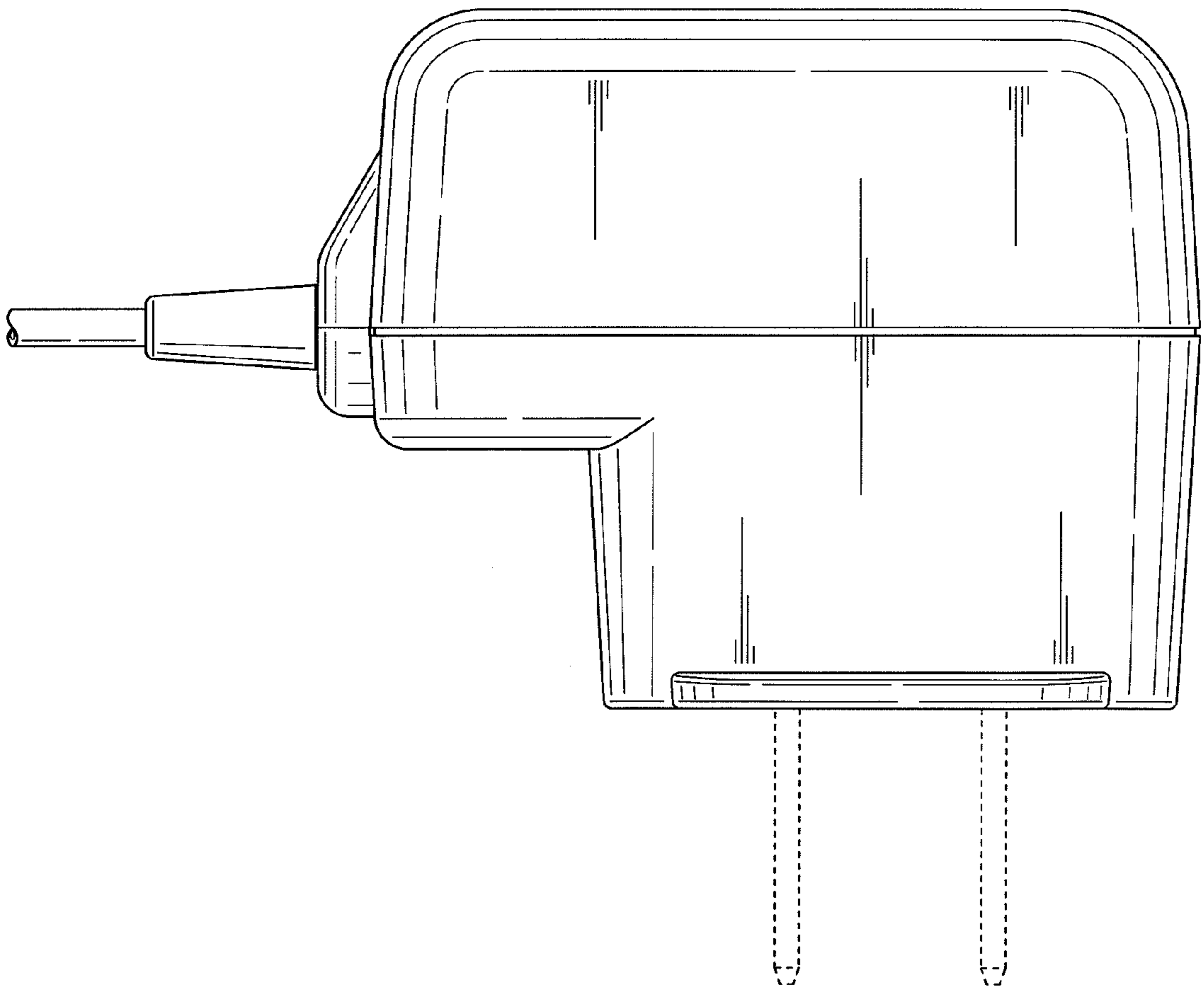
FIG. 1



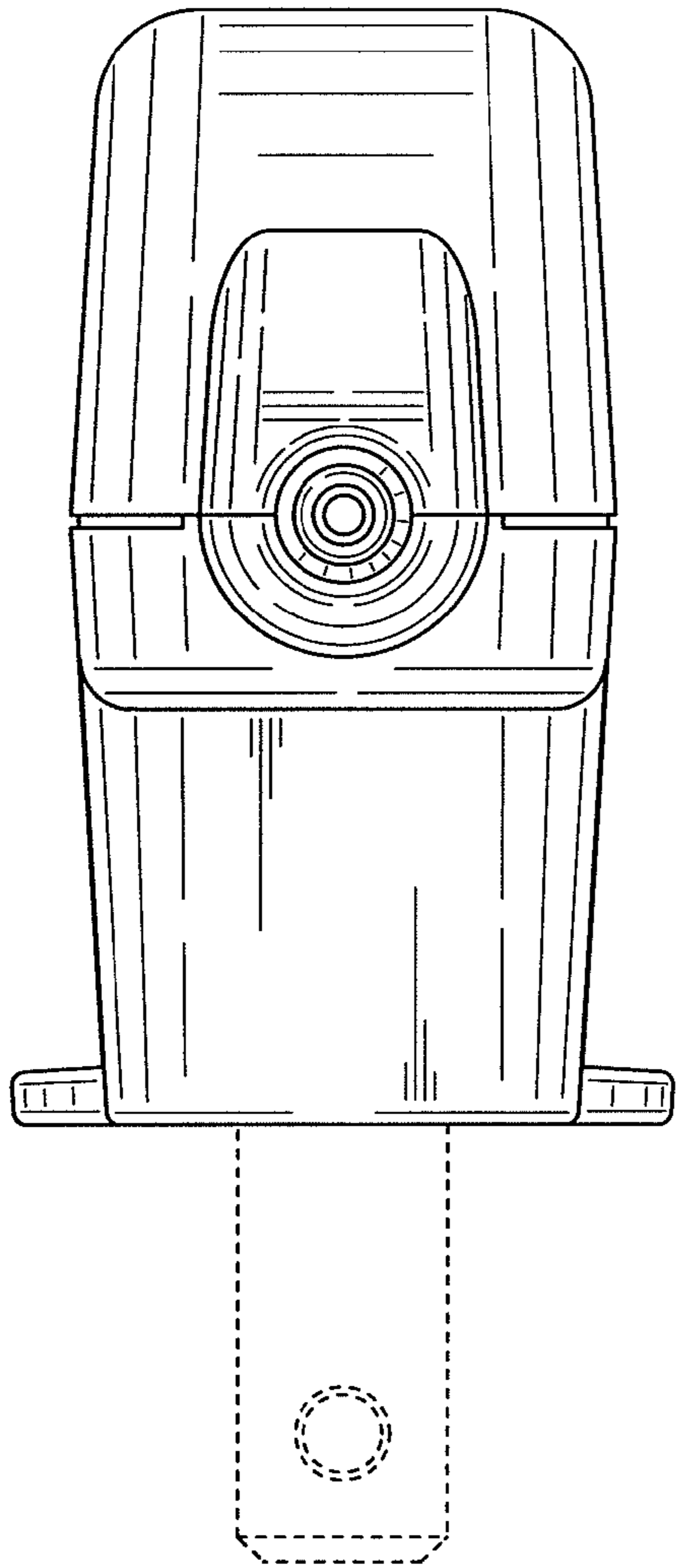
**FIG. 2**



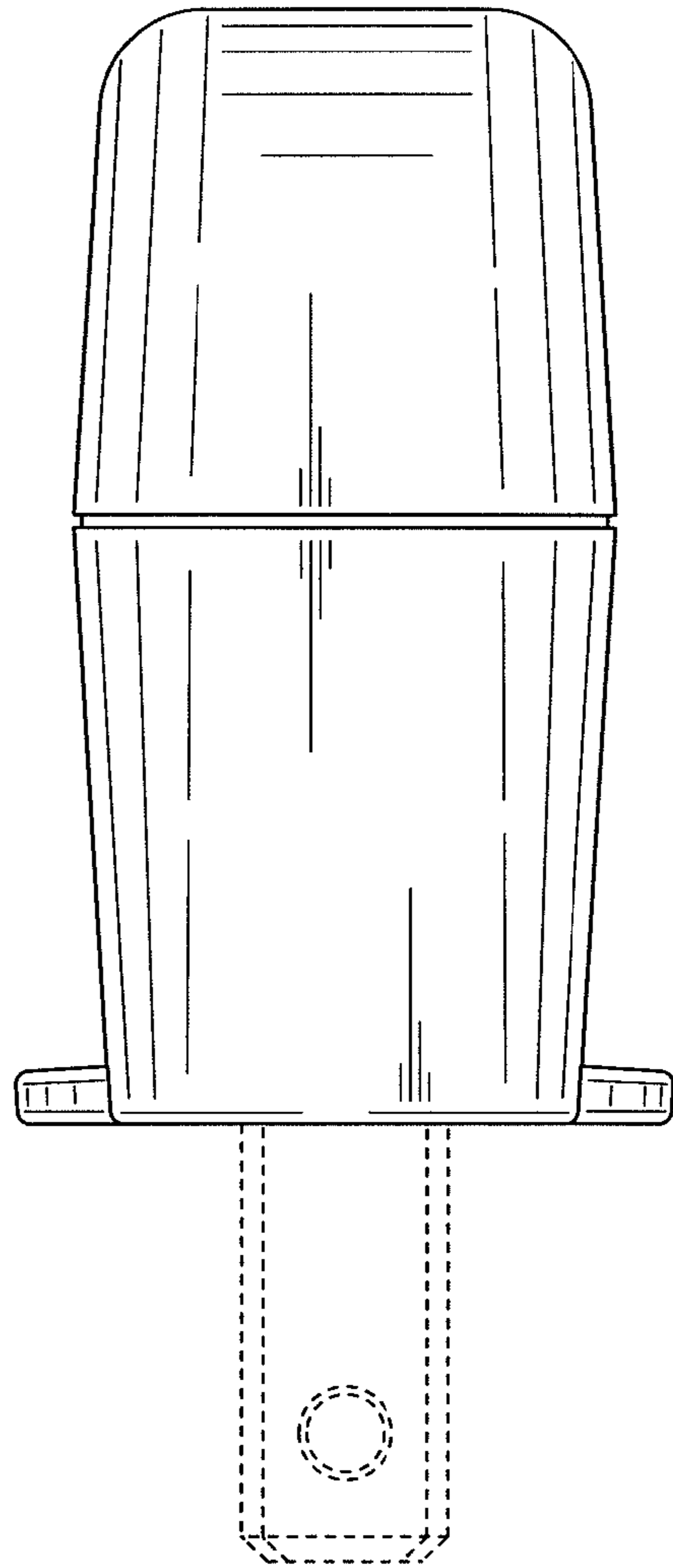
*FIG. 3*



*FIG. 4*



*FIG. 5*



*FIG. 6*

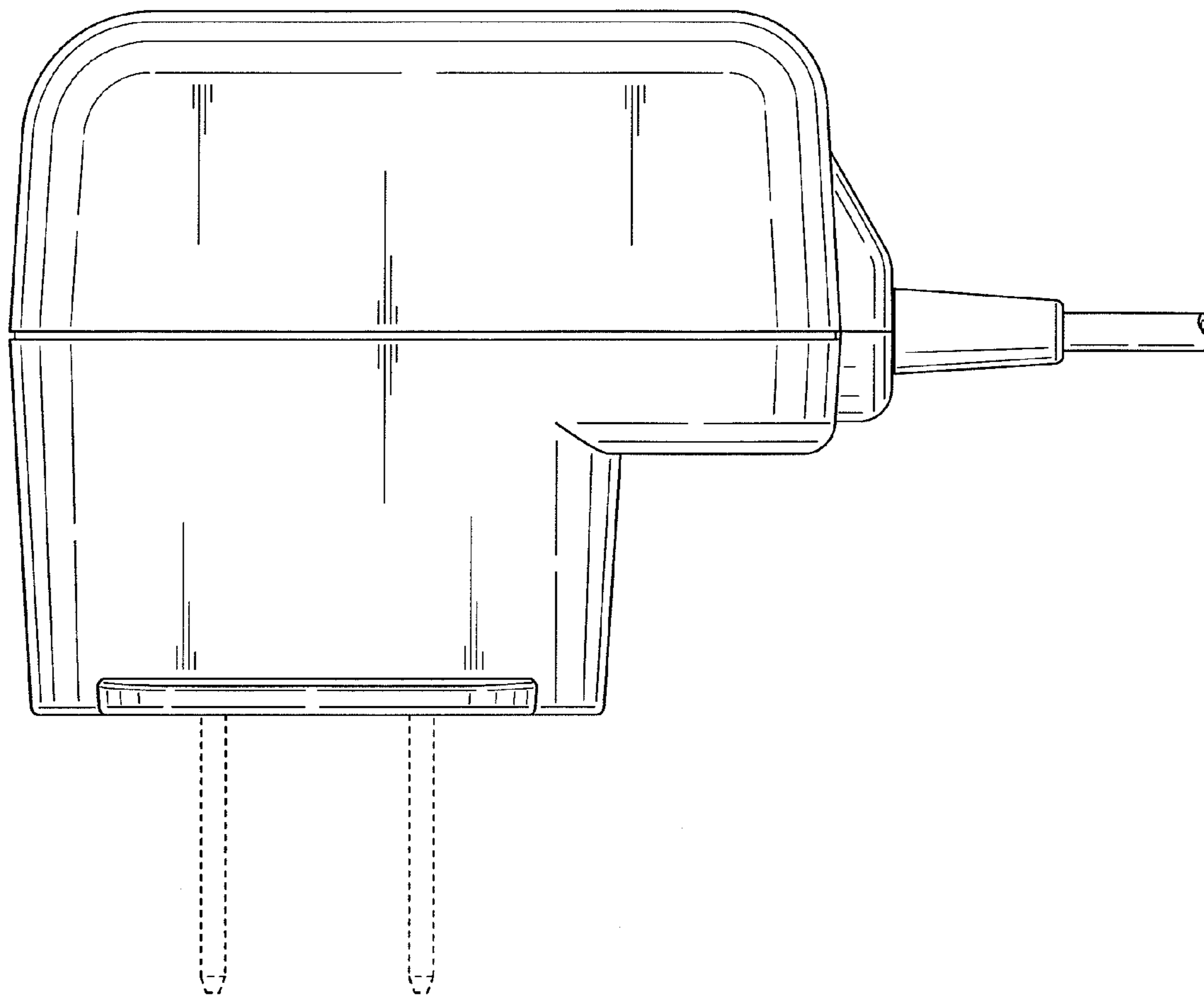


FIG. 7

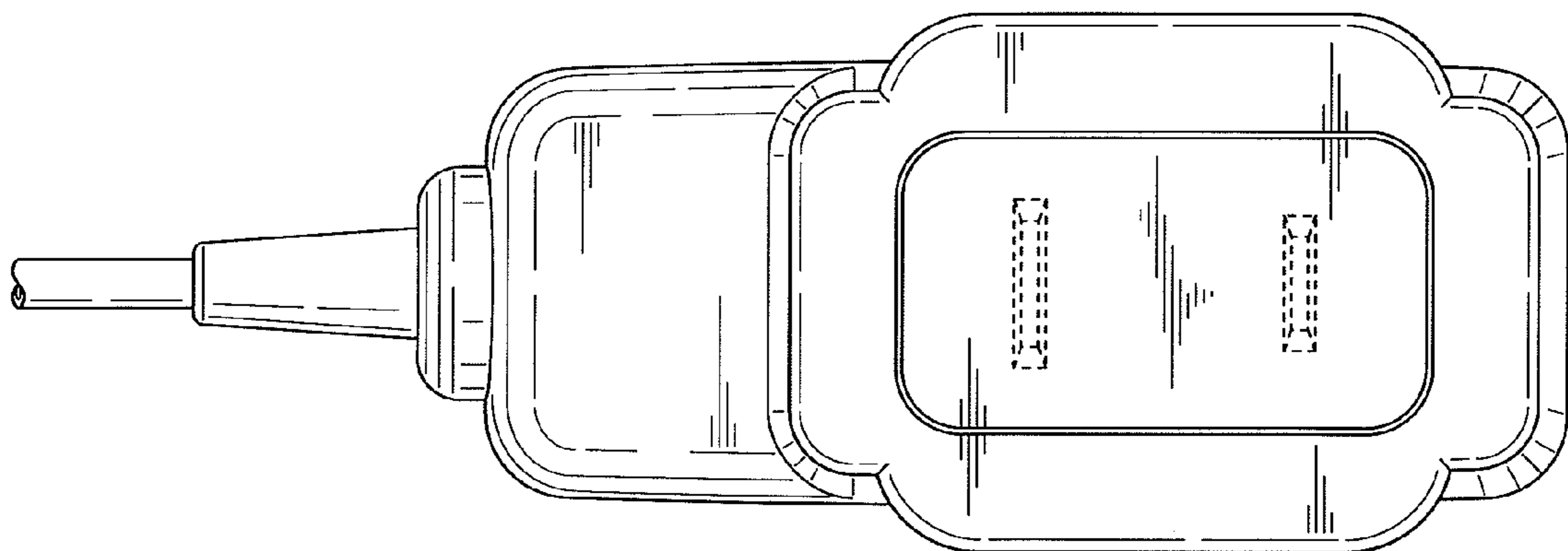


FIG. 8