



US00D579408S

(12) **United States Design Patent**
Benyameen

(10) **Patent No.:** **US D579,408 S**

(45) **Date of Patent:** **** Oct. 28, 2008**

(54) **MULTIPLE BATTERY CHARGER**

(76) Inventor: **Alham Benyameen**, 17811 Sky Park Cir., Suite J, Irvine, CA (US) 92614

(**) Term: **14 Years**

(21) Appl. No.: **29/297,821**

(22) Filed: **Nov. 19, 2007**

(51) **LOC (8) Cl.** **13-02**

(52) **U.S. Cl.** **D13/107**

(58) **Field of Classification Search** D13/107-110,
D13/118-119, 184; D14/251, 253, 432,
D14/434; 320/107-115

See application file for complete search history.

(56) **References Cited**

U.S. PATENT DOCUMENTS

D241,555 S *	9/1976	Goldman et al.	D13/107
5,317,691 A *	5/1994	Traeger	709/250
D444,472 S *	7/2001	Russell et al.	D14/434
D476,659 S *	7/2003	Ying et al.	D14/434
D535,615 S *	1/2007	Iwai	D13/108
D538,740 S *	3/2007	Dunbar	D13/108
D551,617 S *	9/2007	Houghton	D13/108
2004/0080298 A1 *	4/2004	Maggert et al.	320/107
2005/0264261 A1 *	12/2005	Barbeau et al.	320/114
2007/0090788 A1 *	4/2007	Hansford et al.	320/107
2007/0216352 A1 *	9/2007	Shaddle	320/114

* cited by examiner

Primary Examiner—Jennifer Rivard
Assistant Examiner—Rosemary K Tarcza
(74) *Attorney, Agent, or Firm*—Greenberg Traurig, LLP

(57) **CLAIM**

The ornamental design for a multiple battery charger, as shown and described.

DESCRIPTION

FIG. 1 is a perspective view of an embodiment of a multiple battery charger showing my new design;

FIG. 2 is a front view of the multiple battery charger of FIG. 1;

FIG. 3 is a back view of the multiple battery charger of FIG. 1, which is not visible in FIG. 1;

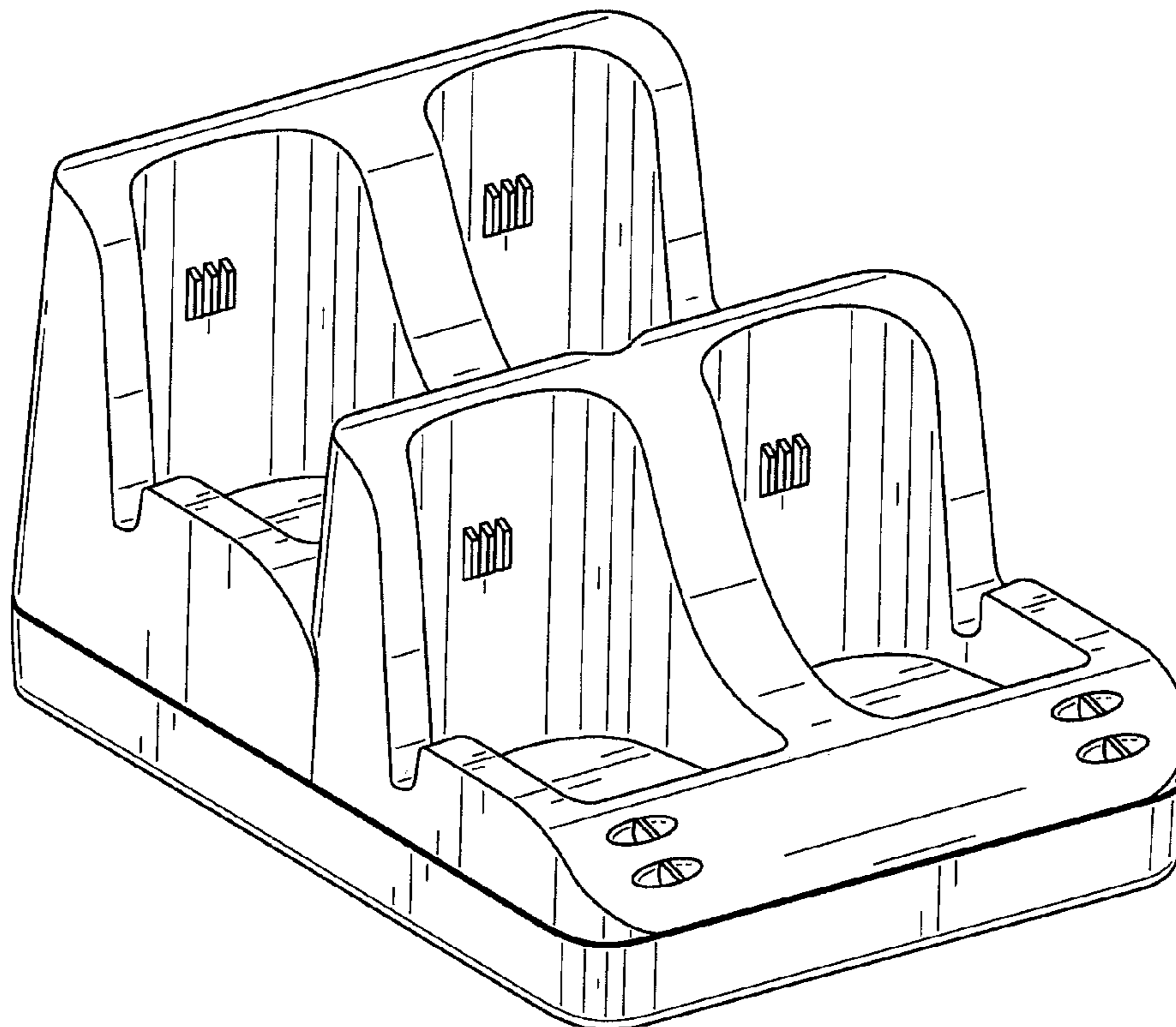
FIG. 4 is a side view illustrating the left side of the multiple battery charger of FIG. 1;

FIG. 5 is a side view illustrating the right side of the multiple battery charger of FIG. 1, which is not visible in FIG. 1;

FIG. 6 is a top view of the multiple battery charger of FIG. 1; and,

FIG. 7 is a bottom view of the multiple battery charger of FIG. 1, which is not visible in FIG. 1.

1 Claim, 7 Drawing Sheets



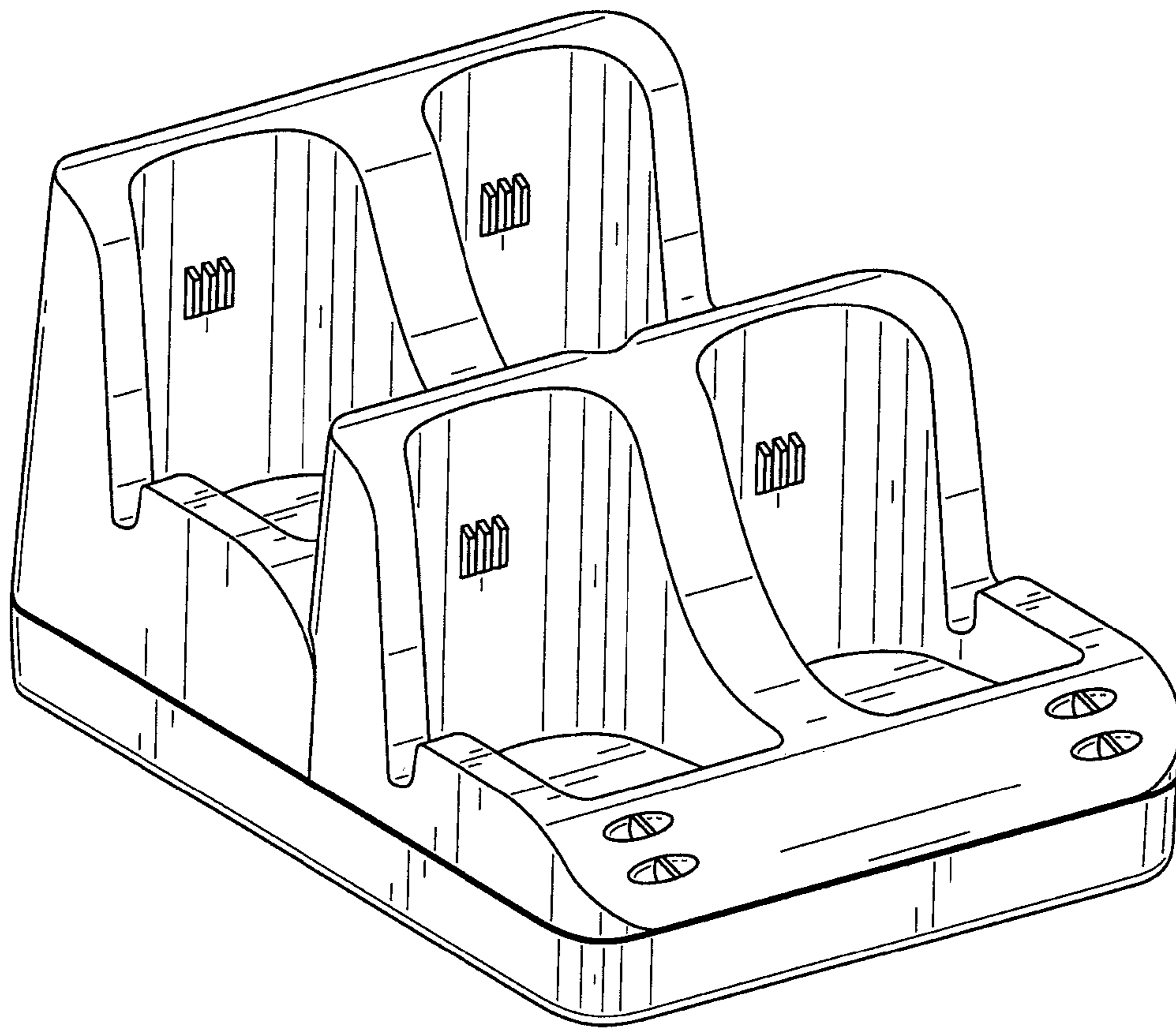


FIG. 1

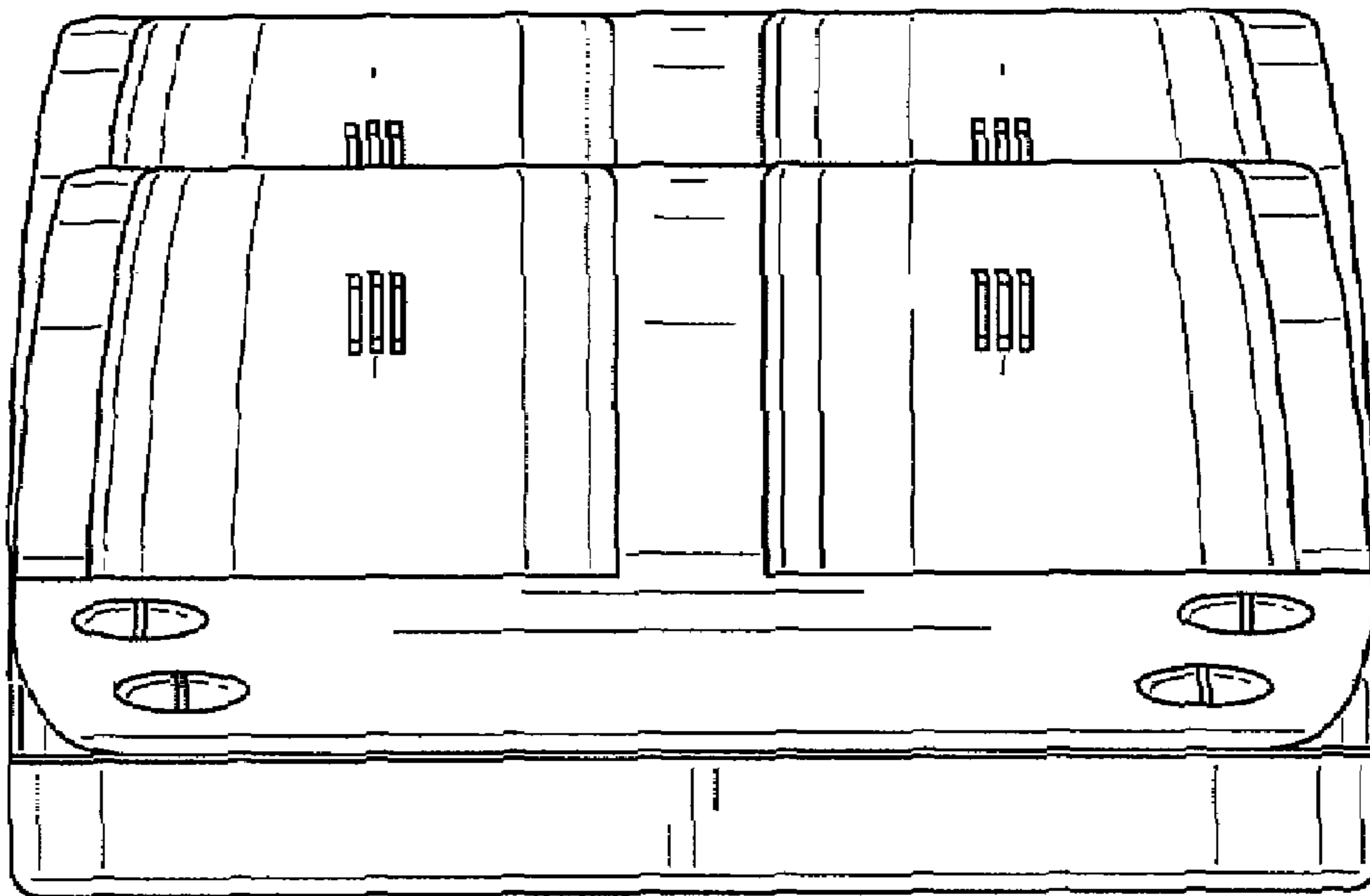


FIG. 2

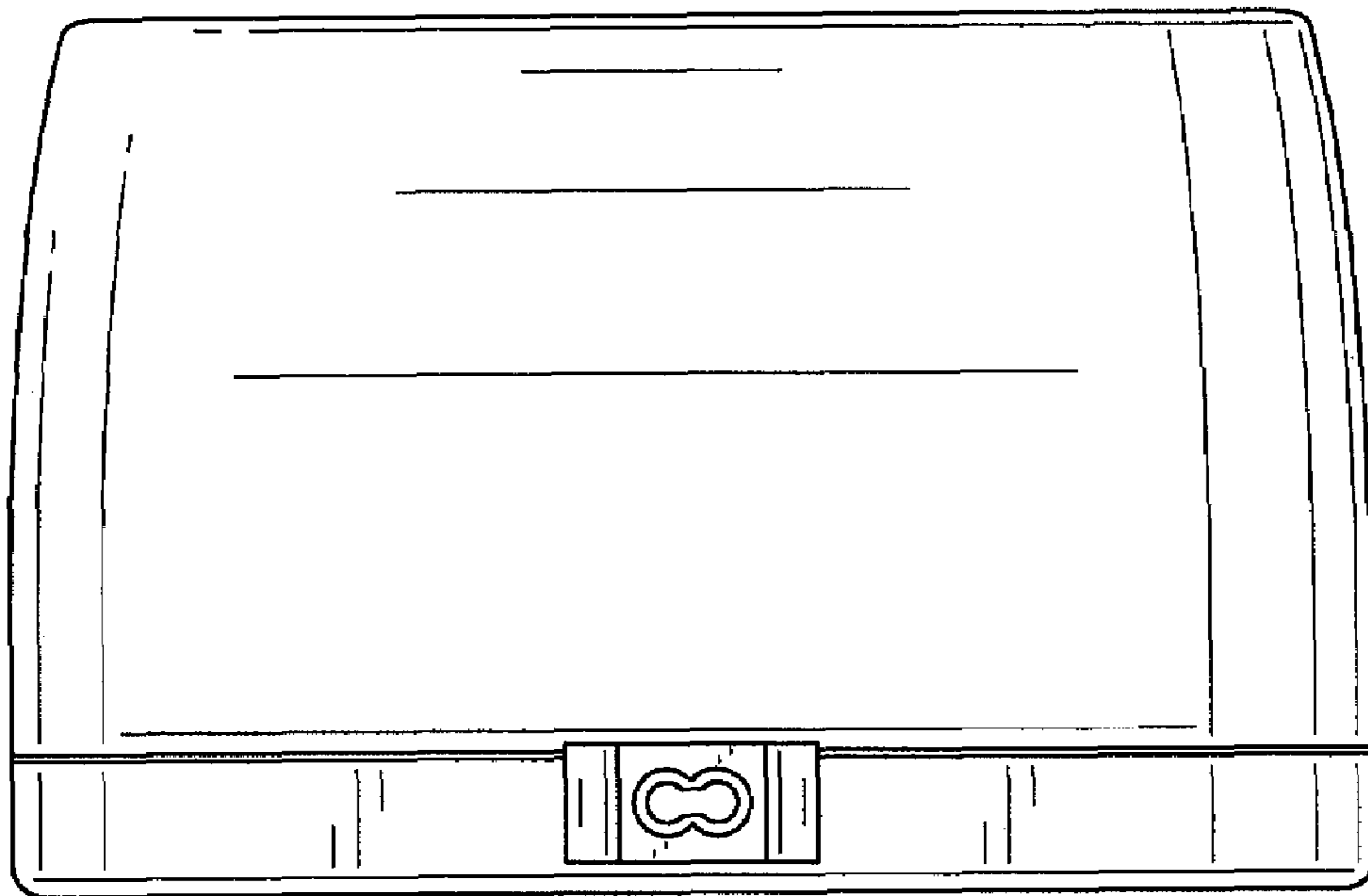


FIG. 3

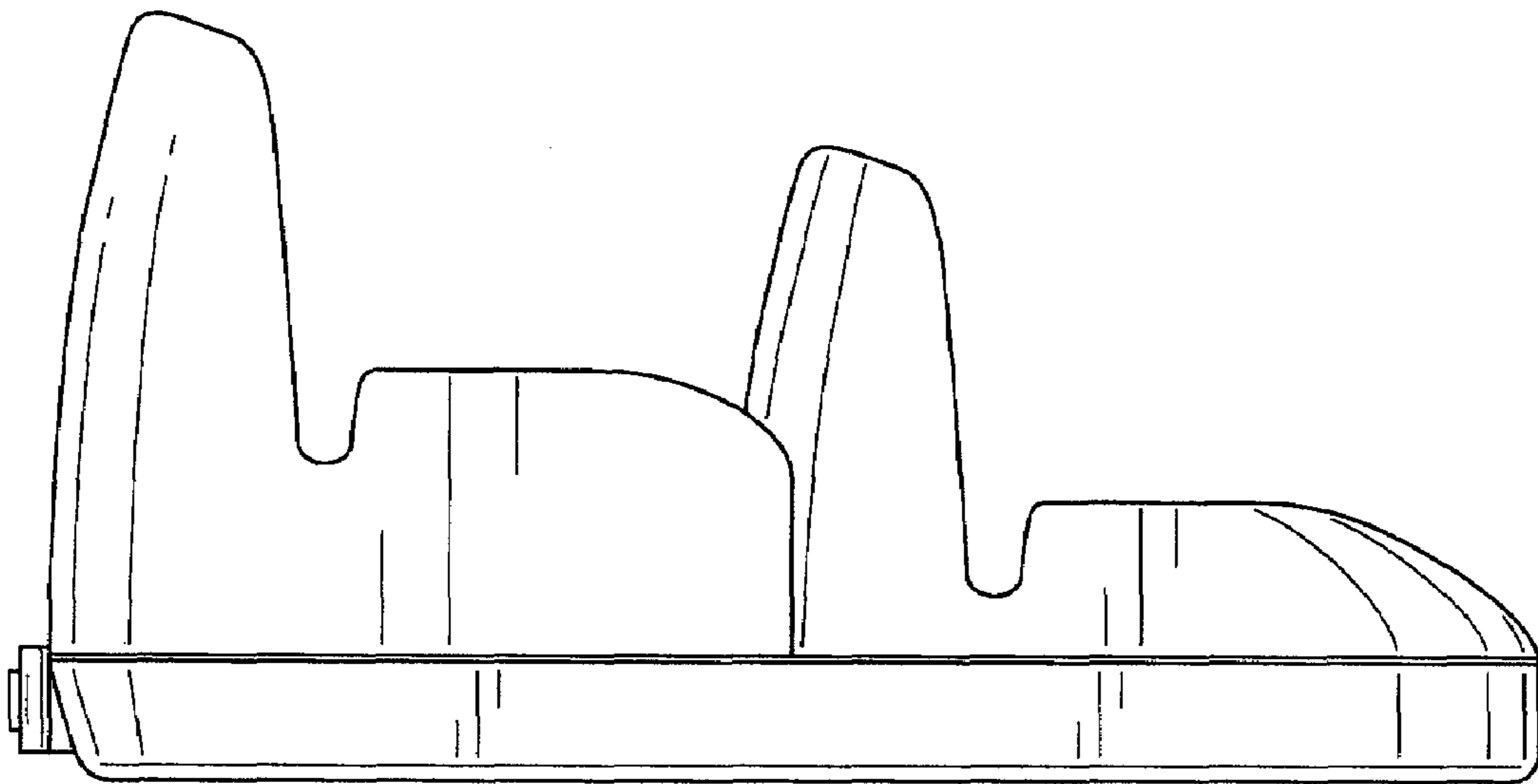


FIG. 4

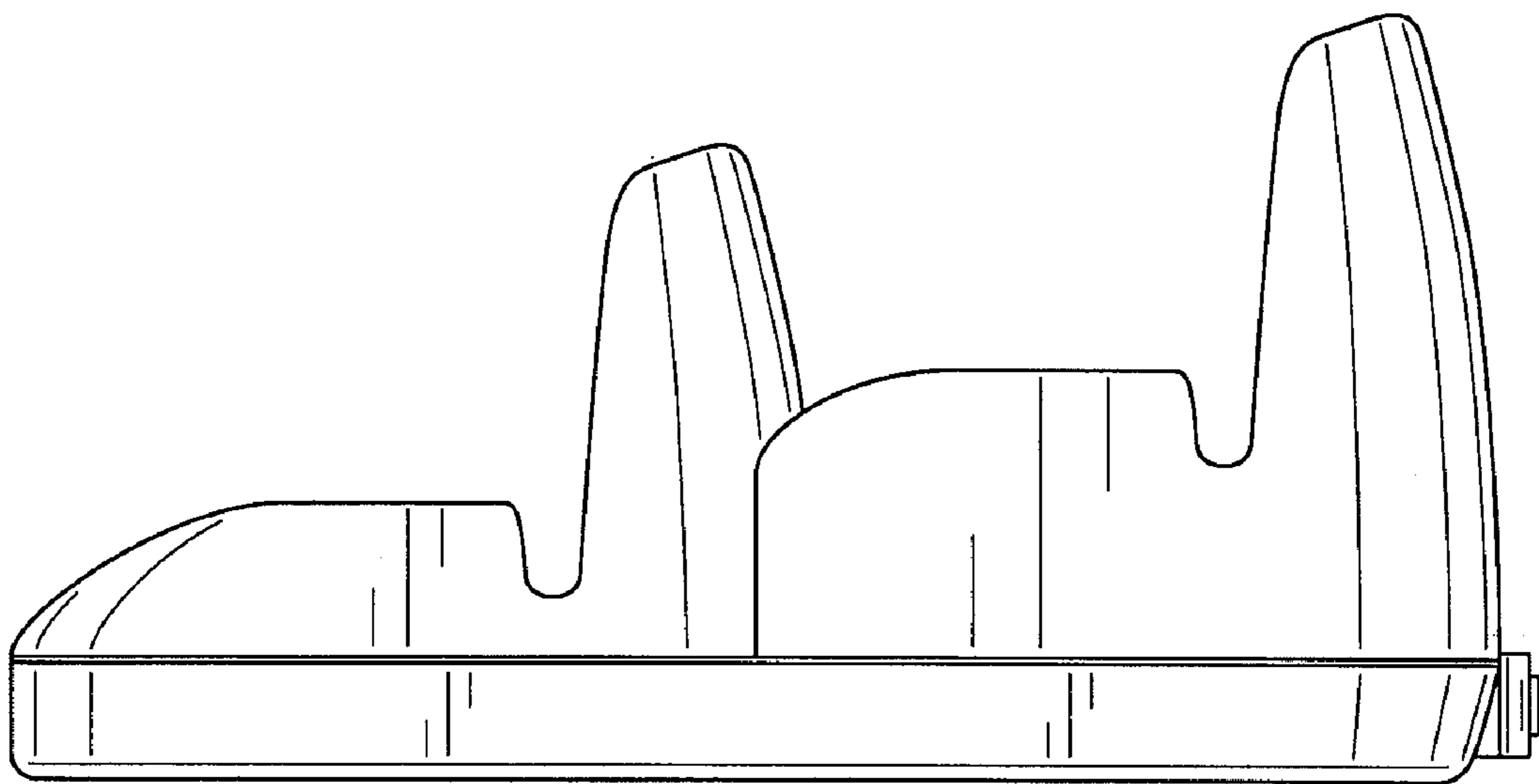


FIG. 5

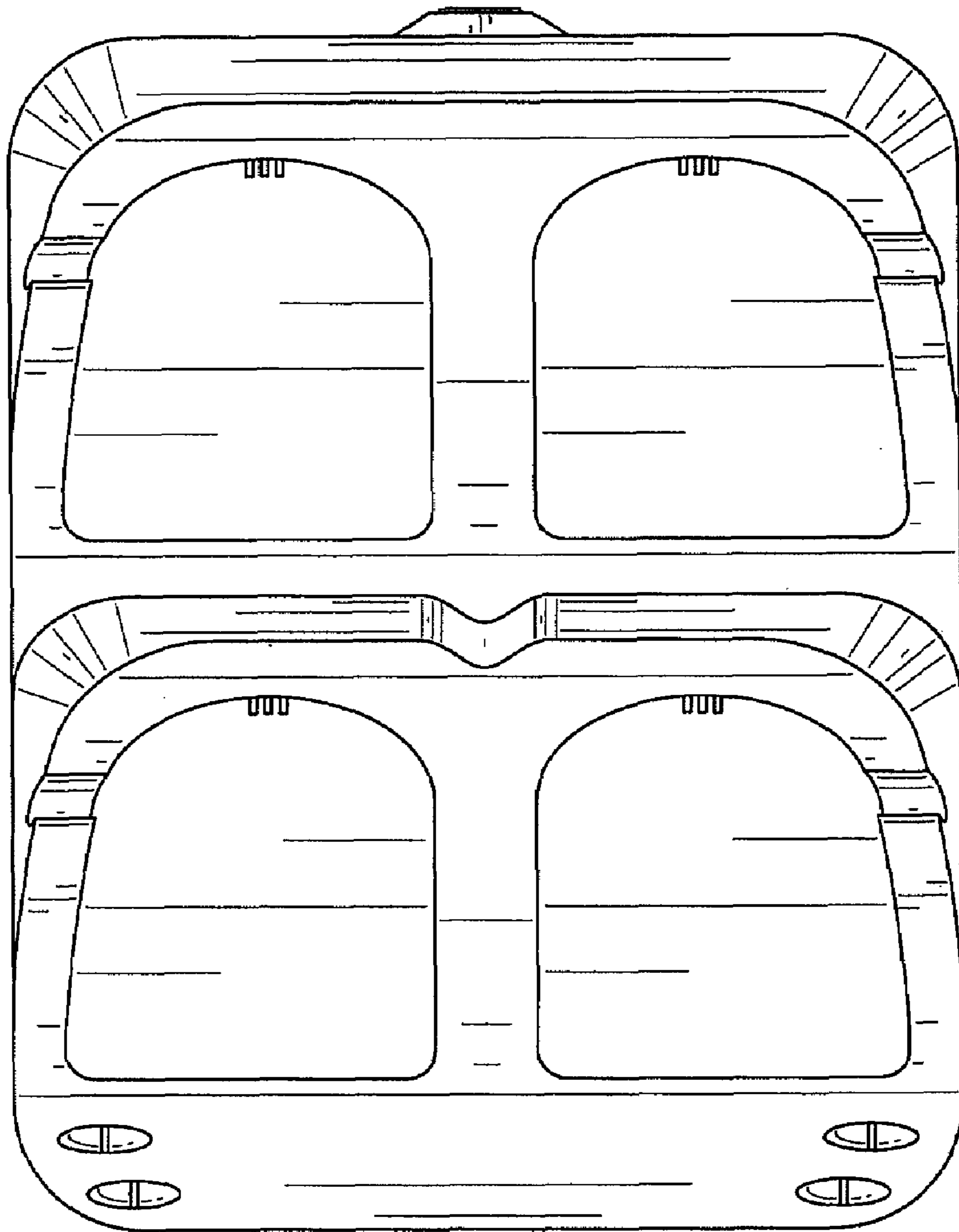


FIG. 6

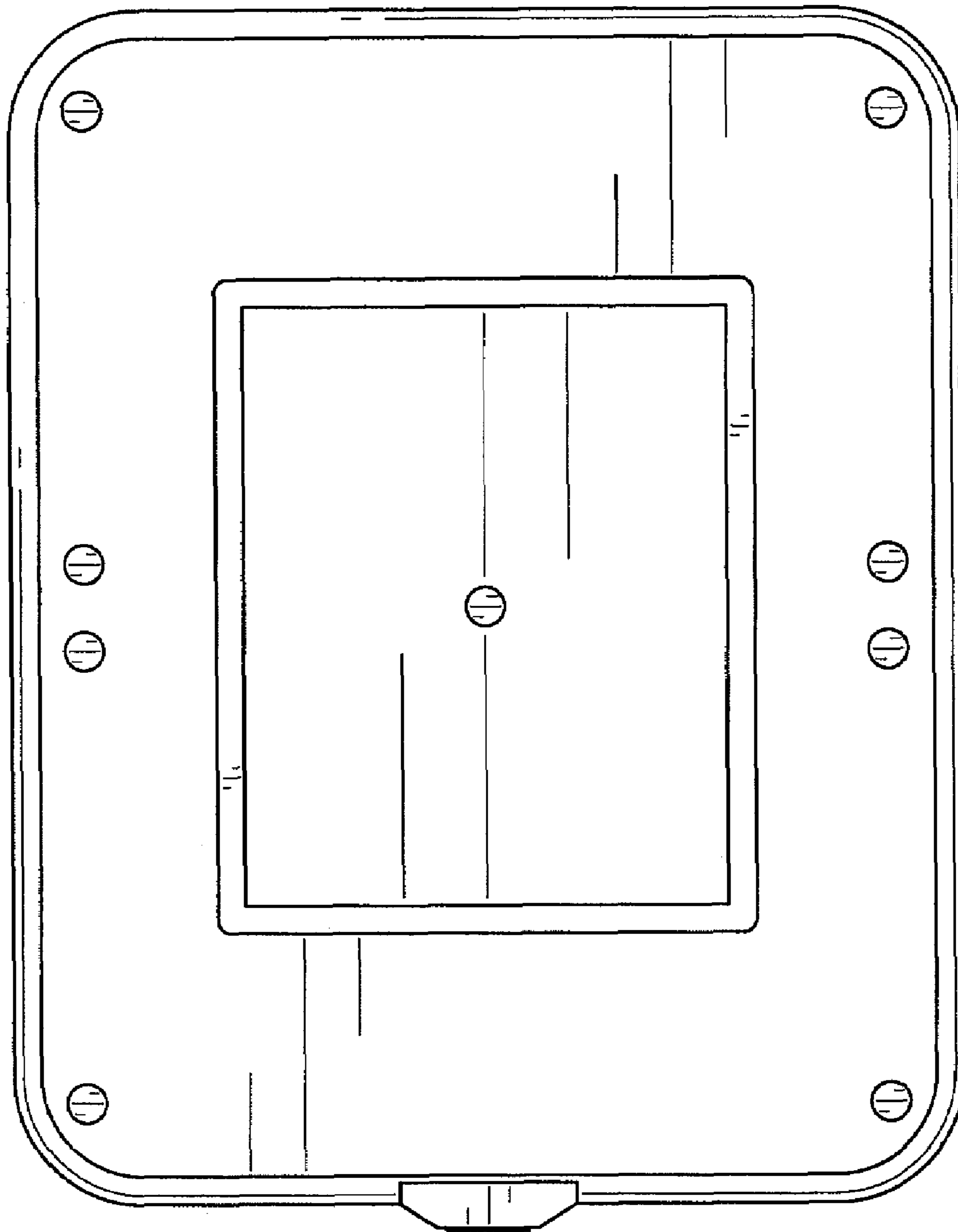


FIG. 7