



US00D579405S

(12) **United States Design Patent**
Cord et al.

(10) **Patent No.:** **US D579,405 S**
(45) **Date of Patent:** **** Oct. 28, 2008**

(54) **TRUNK ORGANIZER**

(75) Inventors: **William H. Cord**, Corona Del Mar, CA (US); **Robert Crandall**, Yorba Linda, CA (US); **Dany G. Smith**, Grand Prairie, TX (US)

(73) Assignee: **Cord Automotive International, Inc.**, Anaheim, CA (US)

(**) Term: **14 Years**

(21) Appl. No.: **29/294,541**

(22) Filed: **Jan. 16, 2008**

Related U.S. Application Data

(60) Continuation of application No. 29/289,828, filed on Aug. 2, 2007, now abandoned, which is a division of application No. 29/266,942, filed on Sep. 29, 2006, now Pat. No. Des. 552,533.

(51) **LOC (8) Cl.** **12-16**

(52) **U.S. Cl.** **D12/422**

(58) **Field of Classification Search** D12/407, D12/415-416, 422-424; D3/276, 273-274, D3/284, 289, 301-305, 299, 216; 224/542-543, 224/402-406, 563, 311, 313, 901.8, 925, 224/497, 545, 223, 920; 296/37.1-37.8, 296/37.16; 114/361, 343; 211/201, 12; 206/315.11 See application file for complete search history.

(56) **References Cited**

U.S. PATENT DOCUMENTS

1,434,350 A 10/1922 Collins
2,573,102 A 10/1951 Hennessy

2,577,263 A 12/1951 Myers
2,639,068 A 5/1953 Luby et al.
3,318,471 A 5/1967 Barr
3,473,680 A 10/1969 Downer
4,260,091 A * 4/1981 French et al. 224/311
D267,753 S 2/1983 Urban
4,671,556 A 6/1987 Lynas, III
D293,162 S 12/1987 Carmichael

(Continued)

FOREIGN PATENT DOCUMENTS

WO WO 95/27633 10/1995

Primary Examiner—Stacia Cadmus

(74) *Attorney, Agent, or Firm*—Thompson & Gustavson, L.L.P.

(57) **CLAIM**

The ornamental design for a trunk organizer, as shown and described.

DESCRIPTION

FIG. 1 is a perspective view of a trunk organizer showing our new design, shown mounted on the inside of a trunk lid of an automobile to show the environment of its use, it being understood that the broken line showing of the trunk lid and automobile are for illustrative purposes only forming no part of the claimed design;

FIG. 2 is an enlarged front view thereof;

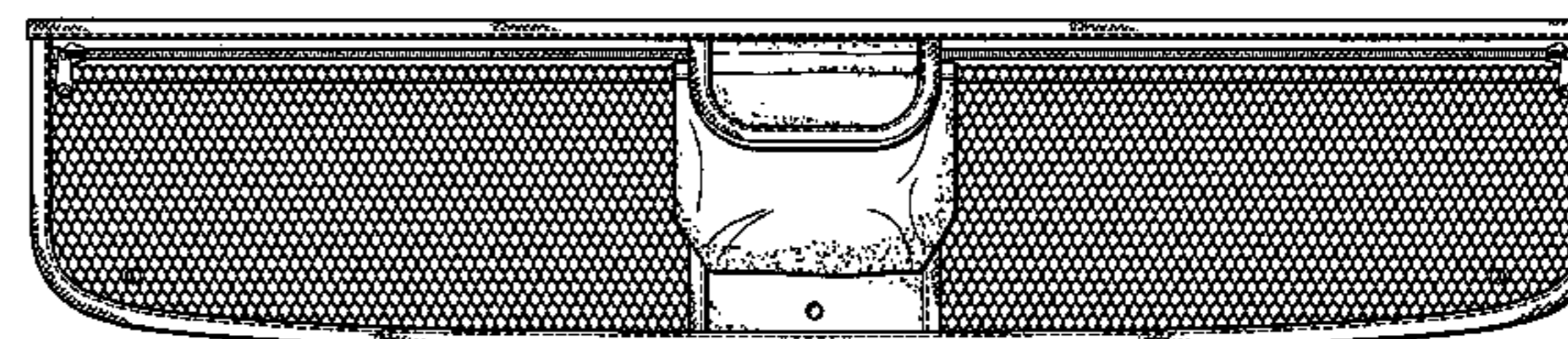
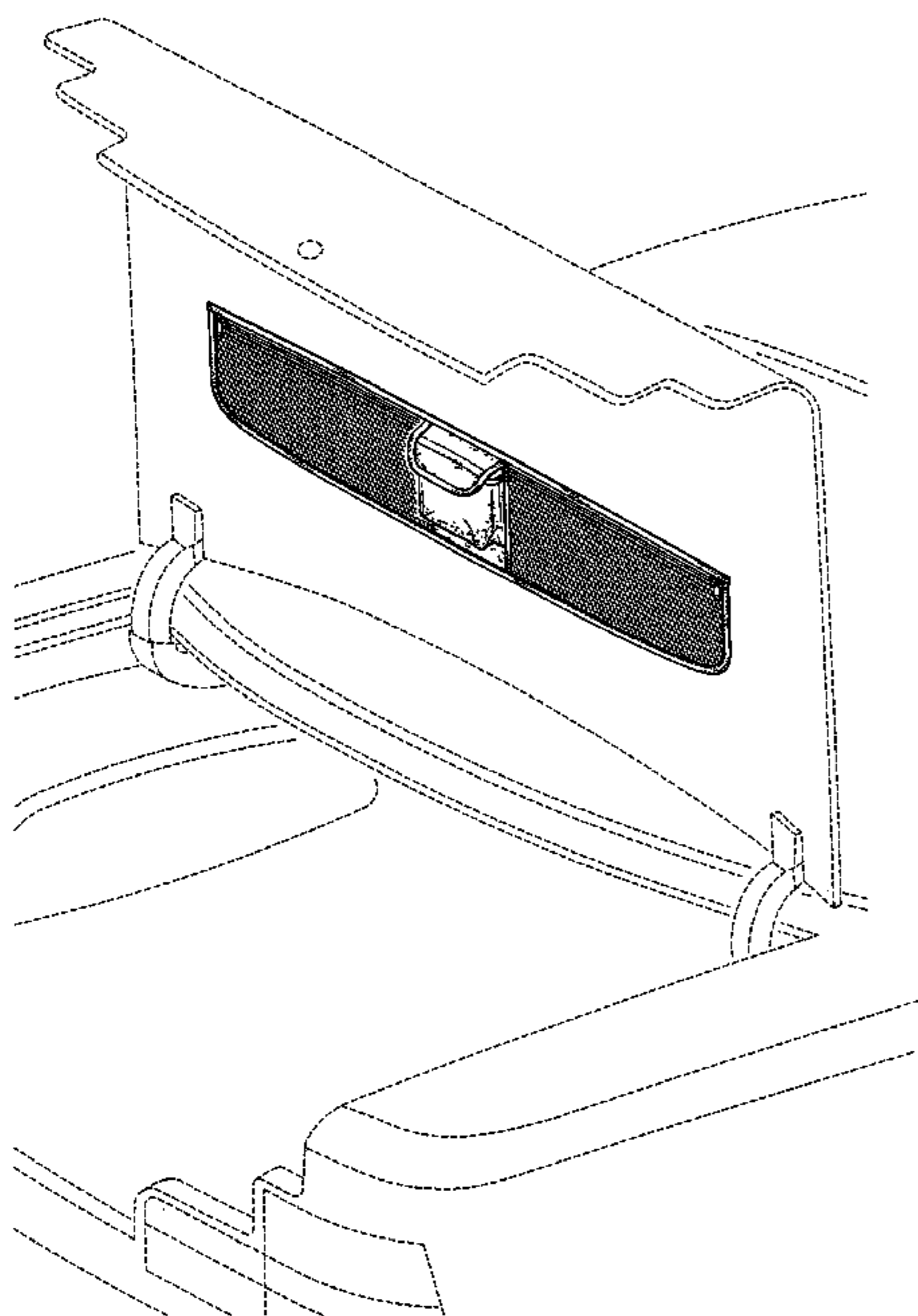
FIG. 3 is an enlarged right side view thereof, the left side being a mirror image thereof;

FIG. 4 is an enlarged rear view thereof;

FIG. 5 is an enlarged top view thereof; and,

FIG. 6 is an enlarged bottom view thereof.

1 Claim, 3 Drawing Sheets



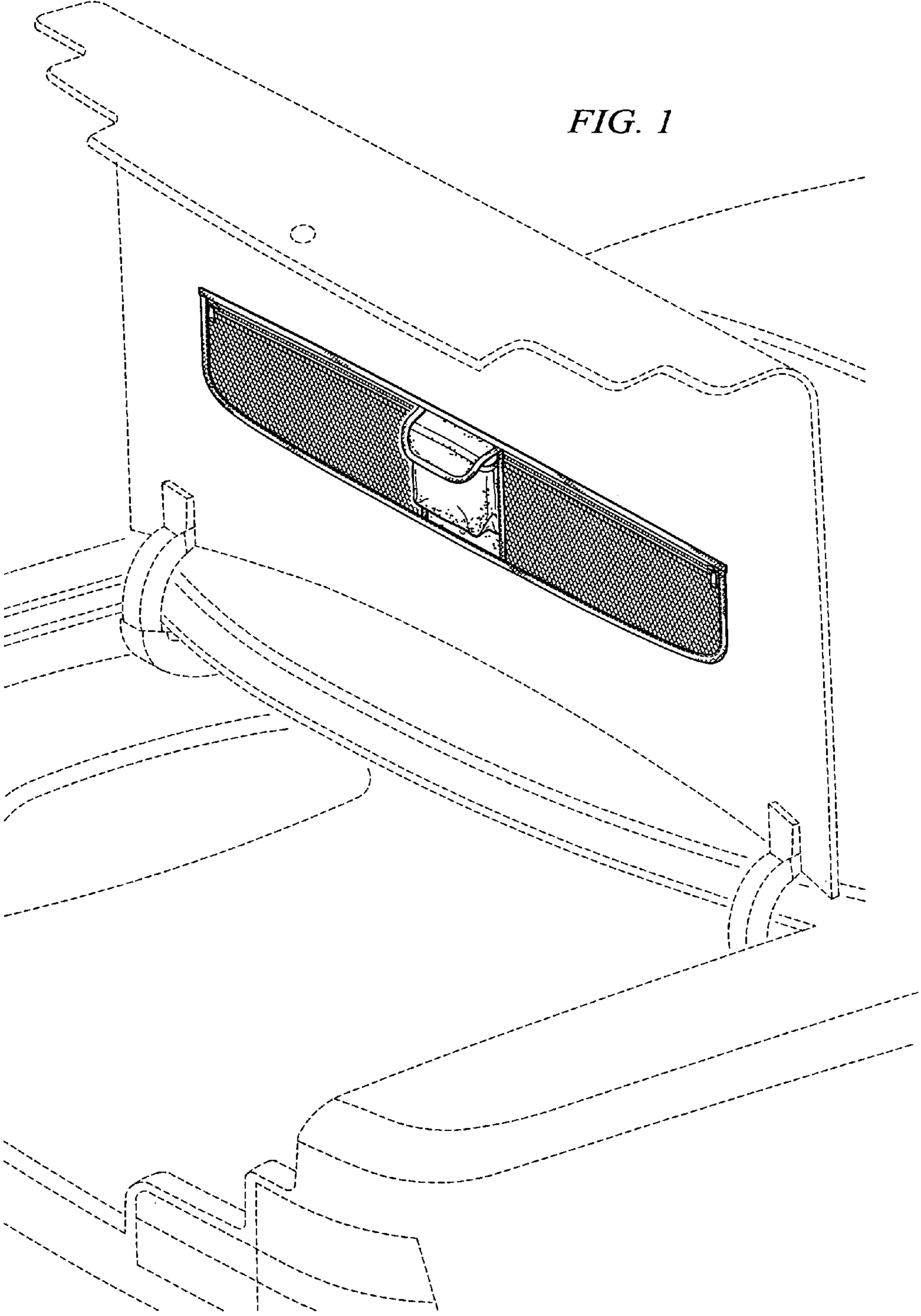
US D579,405 S

Page 2

U.S. PATENT DOCUMENTS

4,832,242	A	5/1989	Leek				
4,901,899	A *	2/1990	Barrett	224/223			
D313,695	S	1/1991	Mawhinney et al.				
D325,016	S	3/1992	Moore				
5,372,289	A	12/1994	Dachicourt				
D354,728	S	1/1995	Shink				
D383,112	S	9/1997	Patterson				
5,915,777	A *	6/1999	Gignac et al.	296/37.16			
D414,741	S	10/1999	Bergh				
					D430,534	S	9/2000 Golenz
					D451,882	S	12/2001 Hassett et al.
					6,327,993	B1	12/2001 Richens, Jr.
					D457,852	S	5/2002 Richter
					D498,585	S	11/2004 Darling
					6,821,600	B1	11/2004 Henson
					D515,497	S	2/2006 Watson
					7,000,810	B1	2/2006 Farmer
					D552,533	S	10/2007 Cord
					2005/0011922	A1	1/2005 Nolle

* cited by examiner



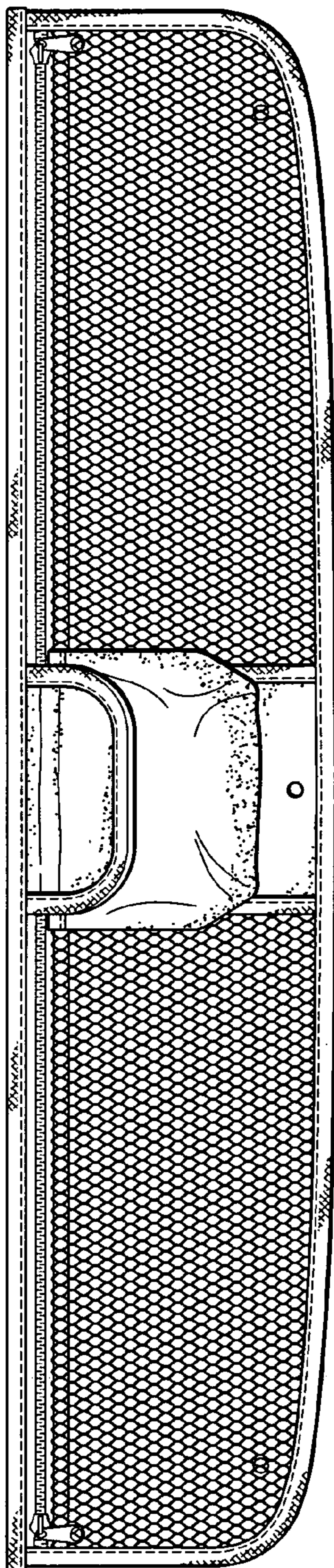


FIG. 2

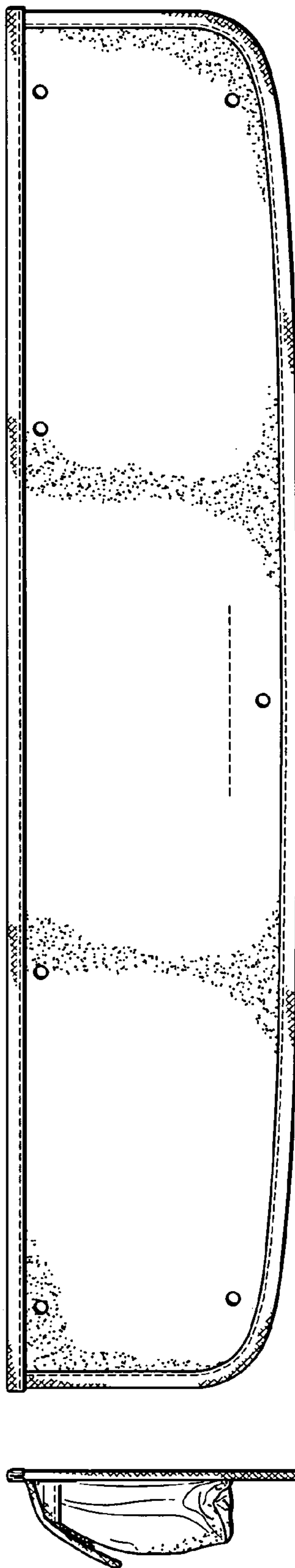


FIG. 3

FIG. 4

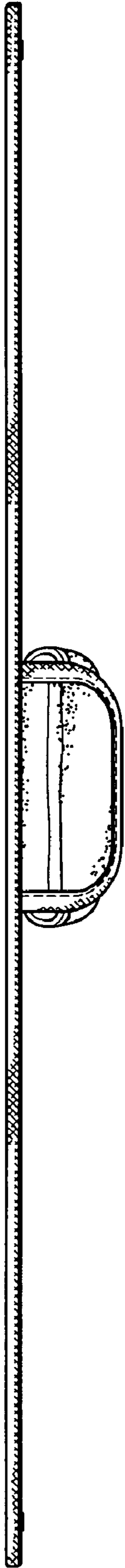


FIG. 5

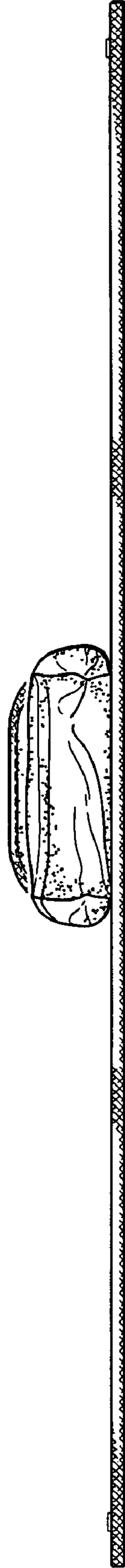


FIG. 6