



US00D579403S

(12) **United States Design Patent**
Van de Rostyne et al.

(10) **Patent No.:** **US D579,403 S**
(45) **Date of Patent:** **** Oct. 28, 2008**

(54) **HELICOPTER PROPELLER ROTOR**

(56) **References Cited**

(75) Inventors: **Alexander Jozef Magdalena Van de Rostyne**, Bornem (BE); **Chi Pok Billy Wai**, Quarry Bay (HK)

U.S. PATENT DOCUMENTS

1,403,909 A 1/1922 Moir
1,446,522 A * 2/1923 Smith 416/123
1,773,281 A 8/1930 Scott

(73) Assignee: **Silverlit Toys Manufactory, Ltd.**, Hong Kong (HK)

(**) Term: **14 Years**

(Continued)

(21) Appl. No.: **29/297,478**

FOREIGN PATENT DOCUMENTS

BE 338599 12/1926

(22) Filed: **Nov. 12, 2007**

Related U.S. Application Data

(Continued)

(63) Continuation of application No. 29/282,581, filed on Jul. 24, 2007, which is a continuation of application No. 29/277,652, filed on Mar. 5, 2007, now Pat. No. Des. 552,531, and a continuation of application No. 29/280,187, filed on May 18, 2007, now Pat. No. Des. 554,040, which is a continuation of application No. 29/275,322, filed on Dec. 20, 2006, now Pat. No. Des. 546,269, and a continuation of application No. 29/275,323, filed on Dec. 20, 2006, now Pat. No. Des. 544,825, and a continuation of application No. 29/275,324, filed on Dec. 20, 2006, now Pat. No. Des. 545,755, said application No. 29/275,322 is a continuation-in-part of application No. 11/462,177, filed on Aug. 3, 2006, and a continuation-in-part of application No. 11/465,781, filed on Aug. 18, 2006.

OTHER PUBLICATIONS

Photographic reference #1, helicopter.

(Continued)

Primary Examiner—Charles A. Rademaker
Assistant Examiner—Maurice Stevens
(74) *Attorney, Agent, or Firm*—Greenberg Traurig, LLP

(30) **Foreign Application Priority Data**

Jan. 19, 2006 (BE) 2006/0043

(51) **LOC (8) Cl.** **12-07**

(52) **U.S. Cl.** **D12/326**

(58) **Field of Classification Search** D12/326–329, D12/345; D21/441–442, 450, 453; 446/36–45, 446/230, 232; 244/17.11, 17.23, 17.25, 17.19, 244/17.27, 12.4

(57) **CLAIM**

The ornamental design for a helicopter propeller rotor, as shown and described.

DESCRIPTION

FIG. 1 is a perspective side view of a helicopter propeller rotor, showing our new design;

FIG. 2 is an opposite side perspective view thereof;

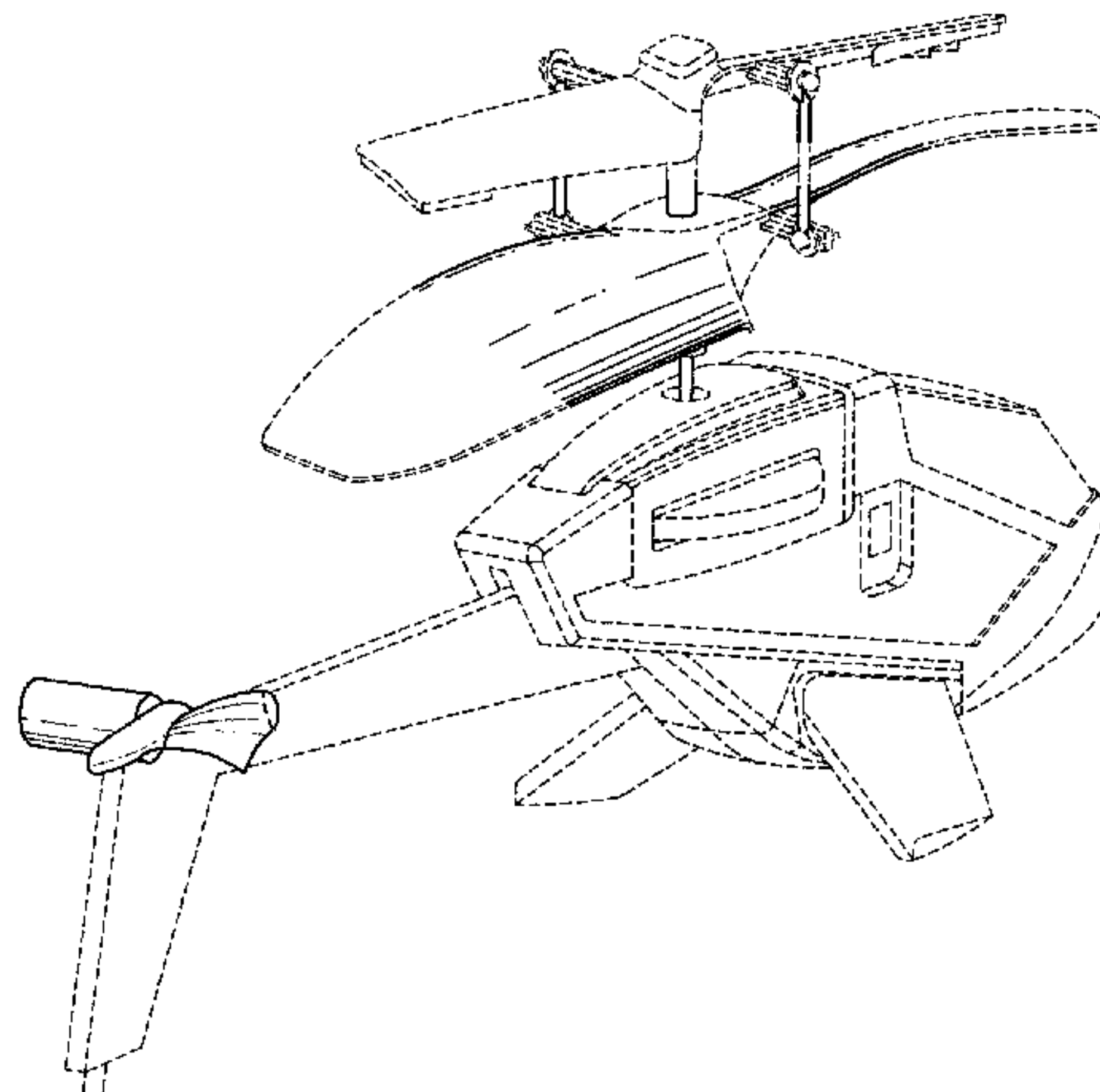
FIG. 3 is a side view thereof; and,

FIG. 4 is a top view thereof.

The broken lines, shown in the drawings are for illustrative purposes only and form no part of the claimed design.

See application file for complete search history.

1 Claim, 4 Drawing Sheets



US D579,403 S

U.S. PATENT DOCUMENTS					
1,800,470	A	4/1931 Oehmichen	5,511,947	A	4/1996 Schmuck
2,030,578	A	2/1936 Flettner	D372,741	S	8/1996 Tsai
2,307,381	A	1/1943 Bess	D378,606	S	3/1997 Tamagnini
2,368,698	A	2/1945 Young	5,609,312	A	3/1997 Arlton et al.
2,384,516	A	9/1945 Young	5,628,620	A	5/1997 Arlton
2,411,596	A	11/1946 Shapiro	D388,048	S	12/1997 Taylor et al.
2,413,831	A	1/1947 Jordan	D390,942	S	2/1998 Mei
2,429,502	A	10/1947 Young	5,749,540	A	5/1998 Arlton
D149,130	S	3/1948 Katenberter et al.	5,836,545	A	11/1998 Arlton et al.
2,439,143	A	4/1948 Nemeth	5,879,131	A	3/1999 Arlton et al.
D153,314	S	4/1949 Piasecki	5,906,476	A	5/1999 Arlton
D153,315	S	4/1949 Piasecki	6,000,911	A	12/1999 Toulmay et al.
D153,316	S	4/1949 Piasecki	D421,279	S	2/2000 Tsai
D153,317	S	4/1949 Piasecki	6,032,899	A	3/2000 Mondet et al.
2,469,144	A	5/1949 Baggott	6,039,541	A	3/2000 Parker et al.
2,481,750	A	9/1949 Hiller, Jr. et al.	D425,853	S	5/2000 Caporaletti
2,486,059	A *	10/1949 Pentecost 416/115	6,302,652	B1	10/2001 Roberts
2,532,683	A	12/1950 Traver	6,398,618	B1	6/2002 Wu
D163,938	S	7/1951 Douglas	6,435,453	B1 *	8/2002 Carter, Jr. 244/8
2,629,568	A	2/1953 Croshere, Jr., et al.	6,460,802	B1	10/2002 Norris
2,629,570	A	2/1953 Carnahan	6,467,726	B1	10/2002 Hosoda
2,633,924	A	4/1953 Young	D467,861	S	12/2002 Lee
2,646,848	A	7/1953 Young	6,499,690	B1	12/2002 Katayama et al.
D171,569	S	3/1954 Apostolescu	6,543,726	B2	4/2003 Illingworth
2,725,494	A	11/1955 Anderson	6,632,119	B2	10/2003 Chernek et al.
D178,081	S	6/1956 Papadakos	6,659,395	B2	12/2003 Rehkemper et al.
2,750,131	A	6/1956 Thomson	6,659,721	B1	12/2003 Parker et al.
D181,643	S	12/1957 Graham	6,702,552	B1	3/2004 Harman
D187,895	S	5/1960 Douglas	6,719,244	B1	4/2004 Gress
2,950,074	A	8/1960 Apostolescu	6,732,973	B1	5/2004 Rehkemper
3,029,048	A	4/1962 Brooks et al.	6,749,401	B2	6/2004 Vanmoor
3,035,643	A	5/1962 Kelley et al.	6,758,436	B2	7/2004 Rehkemper et al.
3,080,001	A	3/1963 Culver et al.	6,789,764	B2	9/2004 Bass et al.
3,093,929	A	6/1963 Robbins et al.	6,884,034	B1	4/2005 Parker et al.
3,106,964	A	10/1963 Culver et al.	6,886,777	B2	5/2005 Rock
3,180,424	A	4/1965 Serriades	6,929,215	B2	8/2005 Arlton
3,213,944	A	10/1965 Nichols et al.	6,960,112	B2	11/2005 Helmlinger et al.
3,228,478	A	1/1966 Edenborough	D524,227	S *	7/2006 Stille et al. D12/327
3,231,222	A	1/1966 Scheutzow	D524,228	S *	7/2006 Scott et al. D12/327
3,409,249	A	11/1968 Bergquist et al.	D524,229	S	7/2006 Stille et al.
3,448,810	A	6/1969 Vogt	D524,230	S	7/2006 Stille et al.
3,572,616	A	3/1971 Ulisnik	D524,718	S *	7/2006 Scott et al. D12/327
3,592,559	A	7/1971 Ward	7,100,866	B2	9/2006 Rehkemper et al.
3,625,631	A	12/1971 Covington, Jr. et al.	7,178,758	B2 *	2/2007 Rehkemper 244/17.11
3,771,924	A	11/1973 Buchstaller	7,198,223	B2	4/2007 Phelps, III et al.
D232,168	S	7/1974 Leoni	7,204,453	B2	4/2007 Muren
D232,170	S	7/1974 Diamond et al.	D544,825	S	6/2007 Van de Rostyne et al.
D234,350	S	2/1975 Beckert et al.	D545,735	S *	7/2007 Angelo et al. D12/173
3,933,324	A	1/1976 Ostrowski	D545,755	S	7/2007 Van de Rostyne et al.
D239,930	S	5/1976 Ulisnik	D546,269	S	7/2007 Van de Rostyne et al.
4,025,230	A	5/1977 Kastan	D548,803	S	8/2007 Zimet
4,053,123	A	10/1977 Chadwick	7,264,199	B2	9/2007 Zientek
4,073,086	A	2/1978 Ogawa	D552,531	S	10/2007 Van de Rostyne et al.
4,118,143	A	10/1978 Kavan	D554,040	S	10/2007 Van de Rostyne et al.
4,142,697	A	3/1979 Fradenburgh	7,306,186	B2	12/2007 Kusic
D253,003	S	9/1979 Tanaka	D559,764	S	1/2008 Wai
4,227,856	A	10/1980 Verrill et al.	D561,084	S	2/2008 Wai
4,307,533	A	12/1981 Sims et al.	D561,679	S	2/2008 Wai
4,519,746	A	5/1985 Wainauski et al.	2002/0008759	A1	1/2002 Hoyos
4,522,563	A	6/1985 Reyes et al.	2002/0109044	A1	8/2002 Rock
4,629,440	A	12/1986 Mckittrick et al.	2002/0134883	A1	9/2002 Stamps et al.
D294,605	S	3/1988 Matsumoto	2004/0087241	A1	5/2004 Agostini et al.
5,015,187	A	5/1991 Lord	2004/0184915	A1	9/2004 Kunii et al.
5,108,043	A *	4/1992 Canavespe 244/17.11	2004/0222329	A1	11/2004 Kuhns et al.
5,151,014	A	9/1992 Greenwald et al.	2004/0245376	A1	12/2004 Muren
5,209,429	A *	5/1993 Doolin et al. 244/17.11	2005/0121553	A1	6/2005 Isawa et al.
5,240,204	A	8/1993 Kunz	2006/0102777	A1	5/2006 Rock
5,255,871	A	10/1993 Ikeda	2006/0121819	A1	6/2006 Isawa
5,259,729	A	11/1993 Fujihira et al.	2006/0231677	A1	10/2006 Zimet et al.
5,370,341	A *	12/1994 Leon 244/17.11	2007/0012818	A1	1/2007 Miyazawa et al.
D357,894	S	5/1995 Arnold et al.	2007/0105475	A1	5/2007 Gotou et al.
			2007/0164148	A1	7/2007 De Rostyne
			2007/0164149	A1	7/2007 De Rostyne

2007/0164150	A1	7/2007	Van de Rostyne
2007/0178798	A1	8/2007	Lai
2007/0181742	A1	8/2007	Van de Rostyne et al.
2007/0187549	A1	8/2007	Owen
2007/0215750	A1	9/2007	Shantz et al.
2007/0221781	A1	9/2007	Van de Rostyne
2007/0262197	A1	11/2007	Phelps et al.
2007/0272794	A1	11/2007	Van de Rostyne
2008/0076319	A1	3/2008	Van de Rostyne
2008/0076320	A1	3/2008	Van de Rostyne
2008/0085653	A1	4/2008	Van de Rostyne
2008/0111399	A1	5/2008	Ziarten
2008/0112808	A1	5/2008	Schmaling et al.

FOREIGN PATENT DOCUMENTS

BE	1016960	11/2007
DE	1 270 408	6/1968
DE	40 17 402 A1	12/1991
DE	94 14 652 U1	11/1994
DE	203 14 041 U1	4/2004
EP	0 250 135	12/1987
EP	0 727 350	8/1996
EP	1462362 A1	9/2004
ES	P0233821	8/1957
ES	P0234258	9/1957
ES	P0245313	4/1959
ES	P0283794	1/1963
ES	490715	4/1980
ES	275141	7/1982
ES	0298826	1/1989
ES	0464158	1/1992
ES	2 074 010	8/1995
ES	0727350	8/1996
ES	2 172 362	9/2002
ES	1238185	9/2002
ES	1462362	9/2004
GB	255936	7/1926
GB	272871	5/1927
GB	916894 A	1/1963
GB	956536	4/1964
GB	958536	5/1964
GB	1081341 A	8/1967
GB	2 436 258 A	9/2007
JP	S30-7668	10/1930
JP	S32-003535	6/1932
JP	1269699	10/1989
JP	5192452	8/1993
JP	9048398	2/1997
JP	9512515	12/1997
JP	10076996	3/1998
JP	2000-272594	10/2000
JP	2003-103066	4/2003
JP	2003-220999	8/2003
JP	2004-121798	4/2004
JP	2005-193905	7/2005
JP	2006-051217	2/2006
WO	WO03/080433 A1	10/2003
WO	WO2006/075096	7/2006

OTHER PUBLICATIONS

- Photographic reference #2, helicopter displaying writing in French on the tail.
- Photographic reference #3, explanation of the function of the flybar.
- Photographic reference #4, toy helicopter, www.raidentech.com.
- Photographic reference #5, toy helicopter.
- Photographic reference #6, helicopter.
- Photographic reference #7, helicopter with M40297 or MA0297 displayed on the tail.
- Photographic reference #8, toy helicopter #AHS-23900, hstoy.en.alibaba.com.
- Photographic reference #9, toy helicopter, toys999.en.alibaba.com.

- Mill, Colin. "Practical Theories, Part 9", W3MH—World Wide Web *Model Helicopter Magazine*, Jul. 1996, <http://www.w3mh.co.uk/articles/html/csm9-11.htm>.
- Day, David. "Moving swashplates & CCPM", 2001-2006. See <http://www.iroquois.free-online.co.uk>.
- Website reference, en.wikipedia.org/wiki/Kamov_Ka-50, Kamov Ka-50, Jun. 19, 2004 (6 pages).
- Photographic reference, en.wikipedia.org/wiki/Image:Kamov_Ka-50_MAKS-2005.jpg, Aug. 28, 1995.
- Photographic reference, www.fas.org/man/dod-101/sys/ac/row/ka-50-hokum.jpg, Aug. 28, 1995.
- Photographic reference, www.aviastar.org/foto/ka-50_1.jpg, Aug. 28, 1995.
- Website reference, web.archive.org/web/20050225044931/http://www.silverlit.com (2 pages), Jun. 5, 2007.
- Website reference, web.archive.org/web/20060616140712/boeing.com/rotorcraft/military/ah64d/index.htm, Nov. 23, 2001 (2 pages).
- Website reference, en.wikipedia.org/wiki/AH-64_Apache, Jul. 16, 2004 (11 pages).
- Website reference, <http://www.globalsecurity.org/military/systems/aircraft/ah-64d.htm>, Nov. 7, 2001 (6 pages).
- Photographic reference, www.fas.org/man/dod-101/sys/ac/ah-64.gif, Aug. 19, 2000.
- Photographic reference, en.wikipedia.org/wiki/Image:P320007.jpg, 1981 (3 pages).
- Photographic reference, www.fas.org/man/dod-101/sys/ac/ah-64d_001.jpg, Mar. 21, 1997.
- Photographic reference, www.fas.org/man/dod-101/sys/ac/ah-64d-image83.jpg, Aug. 19, 2000.
- Photographic reference, www.fas.org/man/dod-101/sys/ac/ah-64d-longbow1.jpg, Aug. 19, 2000.
- Photographic reference, www.fas.org/man/dod-101/sys/ac/ah-64-dvic294.jpg, Feb. 2, 2003.
- Photographic reference, www.voodoo.cz/ah64/pics/ah115.jpg, Jun. 14, 2001.
- Photographic reference, www.voodoo.cz/ah64/pics/ah122.jpg, Jan. 10, 2002.
- Photographic reference, www.voodoo.cz/ah64/pics/ah106.jpg, Jan. 9, 2002.
- Photographic reference, www.voodoo.cz/ah64/pics/ah112.jpg, Aug. 22, 2002.
- Photographic reference, www.voodoo.cz/ah64/pics/ah092.jpg, Jan. 8, 2002.
- Photographic reference, www.voodoo.cz/ah64/pics/ah153.jpg, Apr. 4, 2002.
- Photographic reference, www.voodoo.cz/ah64/pics/ah149.jpg, Jul. 8, 2000.
- Photographic reference, www.voodoo.cz/ah64/pics/ah051.jpg, Jan. 8, 2002.
- Photographic reference, www.voodoo.cz/ah64/pics/ah049.jpg, Mar. 15, 2002.
- Photographic reference, www.voodoo.cz/ah64/pics/ah027.jpg, May 8, 1999.
- Photographic reference, www.voodoo.cz/ah64/pics/ah010.jpg, Jul. 8, 2000.
- Photographic reference, www.voodoo.cz/ah64/pics/ah003.jpg, Sep. 1, 2001.
- Photographic reference, www.airforceworld.com/heli/gfx/ah64/wah64_1.jpg, 1991.
- Photographic reference, www.fas.org/man/dod-101/sys/ac/ah-64a-990421-F-2095R-004.jpg, Aug. 19, 2000.
- Photographic reference, www.fas.org/man/dod-101/sys/ac/ah-64-dvic292.jpg, Aug. 19, 2000.
- Website reference, www.runryder.com/helicopter/t285494p1/, Jun. 12, 2007 (10 pages).
- Website reference, web.archive.org/web/20031218200732/http://www.scarlet.be/pixel/pixeli111.htm, Dec. 18, 2003 (7 pages).
- Website reference, web.archive.org/web/20031017234927/http://www.scarlet.be/pixel/pixelfp.htm, Oct. 17, 2003 (2 pages).
- Website reference, web.archive.org/web/20031218061901/http://pixelito.reference.be/, Dec. 18, 2003 (4 pages).
- Website reference, www.aviastar.org/helicopters_eng/breguet-dorand.php, 1935 (4 pages).

- Website reference, www.lionheartedcreations.com/Lionheartsflightsimsite_page7.html, May 6, 2004 (4 pages).
- Website reference, www.lionheartcreations.com/FalconE.html, Jun. 22, 2004 (2 pages).
- Photographic reference, www.rotaryaction.com/images/airwolf4.jpg, 1984.
- Website reference, www.rotaryaction.com/pages/airwolf.html, 1984 (3 pages).
- Pryun, Richard R. "In-flight measurement of rotor blade airloads, bending moments, and motions, together with rotor shaft loads and fuselage vibration, on a tandem rotor helicopter", *Boeing*, Nv. 1976 (Abstract, 1 pg).
- Brahmananda, et al. "Application of passive dampers to modern helicopters", *Smart Mater*, 1996 <http://www.iop.org/EJ/abstract/0964-1726/5/5/001> (Abstract, 1 pg). <http://www.microhelicopters.net> (3 pgs).
- Castillo, et al, "Real-time stabilization and tracking of a four-rotor mini rotorcraft", *IEEE*, Jul 2004 http://www.ieeeexplore.org/xpl/freeabs_all.jsp?arnumber=1308180 (1 pg).
- "Structural Components, Design of Tilt-Rotor JVX Near Completion", *Aviation Week & Space Technology*, vol. 122, No. 2, p. 84, Jan. 14, 1985 (10 pgs).
- European Search Opinion dated Jun. 10, 2008, in EP 06 845 583.1 U.S. Appl. No. 11/953,823, filed Dec. 10, 2007, Van de Rostyne.
- U.S. Appl. No. 11/953,826, filed Dec. 10, 2007, Van de Rostyne.
- U.S. Appl. No. 11/953,830, filed Dec. 10, 2007, Van de Rostyne.
- U.S. Appl. No. 29/282,581, filed Jul. 24, 2007, Van de Rostyne, et al.
- U.S. Appl. No. 29/283,934, filed Aug. 27, 2007, Van de Rostyne, et al.
- U.S. Appl. No. 29/297,479, filed Nov. 12, 2007, Van de Rostyne, et al.
- U.S. Appl. No. 29/297,765, filed Nov. 16, 2007, Van de Rostyne, et al.
- U.S. Appl. No. 29/302,018, filed Jan. 8, 2008, Van de Rostyne, et al.
- U.S. Appl. No. 29/302,020, filed Jan. 8, 2008, Van de Rostyne, et al.
- Photo of portion of PicooZ product package; Silverlit 2006 Product Catalog (5 pages total).
- Partial International Search from PCT/US2006/047982.
- Photographic reference, Dragonfly helicopter (4 pages).
- Piccolino: 1.69 gram RC helicopter—RCGroups.com, <http://www.rcgroups.com/forums/showthread.php?t=509295> (6 pages).
- Selberg, B.P.; Cronin, D.L.; Rokhsaz, K.; Dykman, J.R., Yager, C. J. "Aerodynamic-Structural Analysis of Dual Bladed Helicopter Systems (Field Technical Report)", Report No. NASA-CR-162754, Feb. 80 46p (Abstract).
- Ham, Normand. Helicopter individual-blade-control research at MIT 1977-1985; DGLR, European Rotorcraft Forum, 12th, Garmisch-Partenkirchen, West Germany; Germany, Federal Republic of; Sep. 22-25, 1986 10 pp. 1986 (Abstract).
- Proctor, Paul. "Aviation Week & Space Technology", v146, n13, p. 47(1), Mar. 31, 1997 (Abstract).
- Zein-Sabatto, S.; Zheng, Y. "Intelligent Flight Controllers for Helicopter Control"; 1997 IEEE International Conference on Neural Networks, Proceedings (Cat. No. 97CH36109) Part vol. 2 p. 617-21 vol. 2 (Abstract).
- Mirick, Paul H. "A Comparison of Theory and Experiment for Coupled Rotor Body Stability of a Bearingless Rotor Model in Hover and Forward Flight", Jun. 1, 1988, IP Document Id 19880017770 pp. 87-101 (Abstract).
- US District Court, Eastern District of Virginia, Norfolk Division, *Silverlit Toys Manufactory, Ltd., et al. v. Westminster, Inc., et al.*, Case No. 2:07-cv-472-JBF/JEB.
- US District Court, Northern District of Georgia, Atlanta Division, *Westminster, Inc. v. Silverlit Toys Manufactory, Ltd., et al.*, Case No. 1-07-cv-2450-JOF.
- US District Court, Central District of California, Southern Division, *Innovage LLC v. Silverlit Toys Manufactory, Ltd., et al.*, Case No. SACV07-1334 DOC (ANx).
- "Declaration of Alexander Van De Rostyne in Support of Defendants and Counterclaimants Silverlit Toys Manufactory Ltd.'s and Spin Master Ltd.'s Motion for Preliminary Injunction", with relevant Exhibits A, C and E-Q, filed on Dec. 3, 2007, in USDC Case No. SACV07-1334 DOC (ANx).
- "Declaration of Kei Fung ("Kevin") Choi in Support of Defendants and Counterclaimants' Motion for Preliminary Injunction", with relevant Exhibits A, C, and E, filed on Dec. 3, 2007, in USDC Case No. SACV07-1334 DOC (ANx).
- "Declaration of L. Kenneth Rosenthal in Support of Counterclaimants Silverlit Toys Manufactory Ltd.'s and Spin Master Ltd.'s Motion for Preliminary Injunction", with relevant Exhibits O, P, S, V, Y, BB, MM and NN, filed on Dec. 3, 2007, in USDC Case No. SACV07-1334 DOC (ANx).
- "Memorandum of Points and Authorities in Support of Motion for Preliminary Injunction of Silverlit Manufactory Ltd. and Spin Master Ltd.", filed on Dec. 3, 2007, in USDC Case No. SACV07-1334 DOC (ANx).
- "Declaration of Valerie W. Ho in Support of Defendants and Counterclaimants' Motion for Preliminary Injunction", with relevant Exhibits A, B and M, filed on Dec. 3, 2007, in USDC Case No. SACV07-1334 DOC (ANx).
- "Declaration of Conor Forkan in Support of Counterclaimants Silverlit Toys Manufactory Ltd.'s and Spin Master Ltd.'s Reply to Innovage's Opposition to Motion for Preliminary Injunction", with relevant Exhibits A-D, filed on Dec. 26, 2007, in USDC Case No. SACV07-1334 DOC (ANx).
- "Declaration of L. Kenneth Rosenthal in Support of Counterclaimants Silverlit Toys Manufactory Ltd.'s and Spin Master Ltd.'s Reply to Innovage's Opposition to Motion for Preliminary Injunction", with relevant Exhibits A-D, filed on Dec. 26, 2007, in USDC Case No. SACV07-1334 DOC (ANx).
- "Counterclaimants Silverlit Toys Manufactory Ltd.'s and Spin Master Ltd.'s Reply in Support of Motion for Preliminary Injunction", filed on Dec. 26, 2007, in USDC Case No. SACV07-1334 DOC (ANx).
- "Innovage's Memorandum of Points and Authorities in Opposition to Silverlit and Spin Master's Motion for Preliminary Injunction", filed on Dec. 19, 2007, in USDC Case No. SACV07-1334 DOC (ANx).
- "Declaration of Francisco Rubio-Campos in Support of Plaintiff Innovage LLC's Opposition to Silverlit and Spin Master's Motion for Preliminary Injunction", filed on Dec. 19, 2007, in USDC Case No. SACV07-1334 DOC (ANx).
- "Declaration of Jennifer Hamilton in Support of Plaintiff Innovage LLC's Opposition to Silverlit and Spin Master's Motion for Preliminary Injunction", filed on Dec. 19, 2007, in USDC Case No. SACV07-1334 DOC (ANx).
- "Counterclaim Defendant Merchsource's Opposition to Preliminary Injunction", filed on Dec. 19, 2007, in USDC Case No. SACV07-1334 DOC (ANx).
- "Declaration of Lowell Anderson in Opposition to Preliminary Injunction", filed on Dec. 19, 2007, in USDC Case No. SACV07-1334 DOC (ANx).
- "Supplemental Declaration of Francisco Rubio-Campos in Support of Plaintiff Innovage LLC's Opposition to Silverlit and Spin Master's Motion for Preliminary Injunction", filed on Jan. 4, 2008, in USDC Case No. SACV07-1334 DOC (ANx).
- "Declaration of Nicholas Ringold in Support of Defendants and Counterclaimants' Reply to Merchsource LLC's Opposition to Ex Parte Application to Shorten Time for Hearing on Preliminary Injunction", with relevant Exhibits B-1, filed on Dec. 5, 2007, in USDC Case No. SACV07-1334 DOC (ANx).
- "Declaration of Kei Fung ("Kevin") Choi in Support of Defendants and Counterclaimants' Reply to Merchsource LLC's Opposition to Ex Parte Application to Shorten Time for Hearing on Preliminary Injunction", with Exhibit A, filed on Dec. 6, 2007, in USDC Case No. SACV07-1334 DOC (ANx).
- "Counterclaimants Silverlit Toys Manufactory Ltd.'s and Spin Master's Reply to Merchsource LLC's Opposition to Ex Parte Application to Shorten Time on Hearing on Motion for Preliminary Injunction", filed on Dec. 6, 2007, in USDC Case No. SACV07-1334 DOC (ANx).
- "Counterclaimants Silverlit Toys Manufactory Ltd.'s and Spin Master's 1) Reply to Innovage LLC's Opposition to Ex Parte Application to Shorten Time on Hearing on Motion for Preliminary Injunction, and 2) Opposition to Innovage LLC's Ex Parte Application for Order to Extend Time to Oppose Motion for Preliminary Injunction", filed on Dec. 5, 2007, in USDC Case No. SACV07-1334 DOC (ANx).

“Declaration of Lowell Anderson in Opposition to Ex Parte Application to Shorten Time for Hearing on Preliminary Injunction”, filed on Dec. 4, 2007, in USDC Case No. SACV07-1334 DOC (ANx).

“Counterclaim Defendant Merchsource’s Opposition to Ex Parte Application to Shorten Time for Hearing on Motion for Preliminary Injunction”, filed on Dec. 4, 2007, in USDC Case No. SACV07-1334 DOC (ANx).

“Plaintiff Innovage LLC’s Opposition to Defendant Silverlit and Spin Master’s Ex Parte Application for Order to Shorten Time for Hearing on Defendants’ Motion for Preliminary Injunction; Declaration of Barry Messner in Support”, filed on Dec. 4, 2007, in USDC Case No. SACV07-1334 DOC (ANx).

“Plaintiff Innovage LLC’s Ex Parte Application for Order to Extend Time to Oppose Defendants’ Motion for Preliminary Injunction; Memorandum of Points and Authorities; Declaration of Barry Messner”, filed on Dec. 4, 2007, in USDC Case No. SACV07-1334 DOC (ANx).

“Amended Answer, Affirmative Defenses and Counterclaims for: (1) Patent Infringement; (2) Trade Dress Infringement; (3) Unfair Competition and False Designation of Origin; (4) Unfair Competition Under California Business & Professions Code § 17200; and (5) Copyright Infringement”, filed on Dec. 11, 2007, in USDC Case No. SACV07-1334 DOC (ANx).

“Innovage’s Reply in Opposition of Silverlit and Spin Master to Plaintiff Innovage LLC’s Ex Parte Application for Order to Extend Time to Oppose Defendants’ Motion for Preliminary Injunction”, filed on Dec. 7, 2007, in USDC Case No. SACV07-1334 DOC (ANx).

“Counterclaim Defendant Innovage LLC’s Amended Reply and Affirmative Defenses to Counterclaims of Silverlit Toys Manufactory Ltd. and Spin Master Ltd.”, filed on Jan. 9, 2008, in USDC Case No. SACV07-1334 DOC (ANx).

“Order Denying Defendants’ Motion for Preliminary Injunction”, filed on Jan. 8, 2008, in USDC Case No. SACV07-1334 DOC (ANx).

“Counterclaimants Silverlit Toys Manufactory Ltd.’s and Spin Master’s Ltd.’s Objection and Motion to Strike Plaintiff Innovage LLC’s Belated Supplemental Declaration of Francisco Rubio-Campos”, filed on Jan. 4, 2008, in USDC Case No. SACV07-1334 DOC (ANx).

“Supplemental Declaration of Francisco Rubio-Campos in Support of Plaintiff Innovage LLC’s Opposition to Silverlit ad Spin Master’s Motion for Preliminary Injunction”, filed on Jan. 4, 2008, in USDC Case No. SACV07-1334 DOC (ANx).

“Counterclaim Defendant Innovage LLC’s Reply and Affirmative Defenses to Counterclaims of Silverlit Toys Manufactory Ltd. and Spin Master Ltd.”, filed on Dec. 26, 2007, in USDC Case No. SACV07-1334 DOC(ANx).

“Counterclaim Defendant Merchsource LLC’s Answer and Defenses to Counterclaims of Silverlit Toys Manufactory Ltd. and Spin Master Ltd.”, filed on Dec. 26, 2007, in USDC Case No. SACV07-1334 DOC (ANx).

“Answer, Affirmative Defenses and Counterclaims for: (1) Patent Infringement; (2) Trade Dress Infringement; (3) Unfair Competition and False Designation of Origin; and (4) Unfair Competition Under California Business & Professions Code § 17200”, with Exhibits E & F, filed on Dec. 3, 2007, in USDC Case No. SACV07-1334 DOC (ANx).

“Complaint for: 1) Declaratory Judgment of Invalidity and Non-Infringement of Certain Design Patents; 2) Declaratory Judgment of Invalidity and Non-Infringement of Trade Dress”, filed on Nov. 13, 2007, in USDC Case No. SACV07-1334 DOC (ANx).

International Search from PCT/US2008/051938.

* cited by examiner

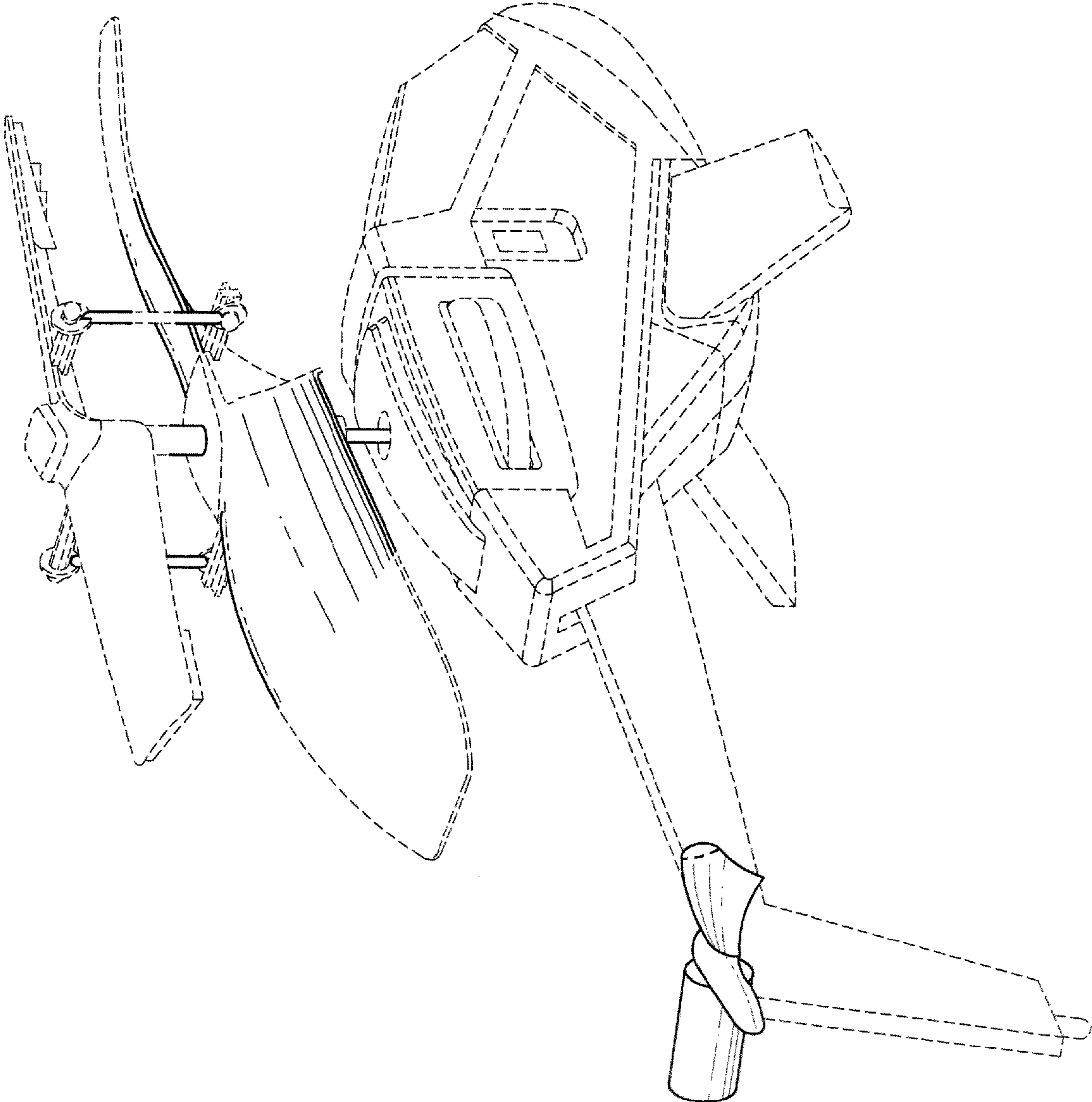


FIG. 1

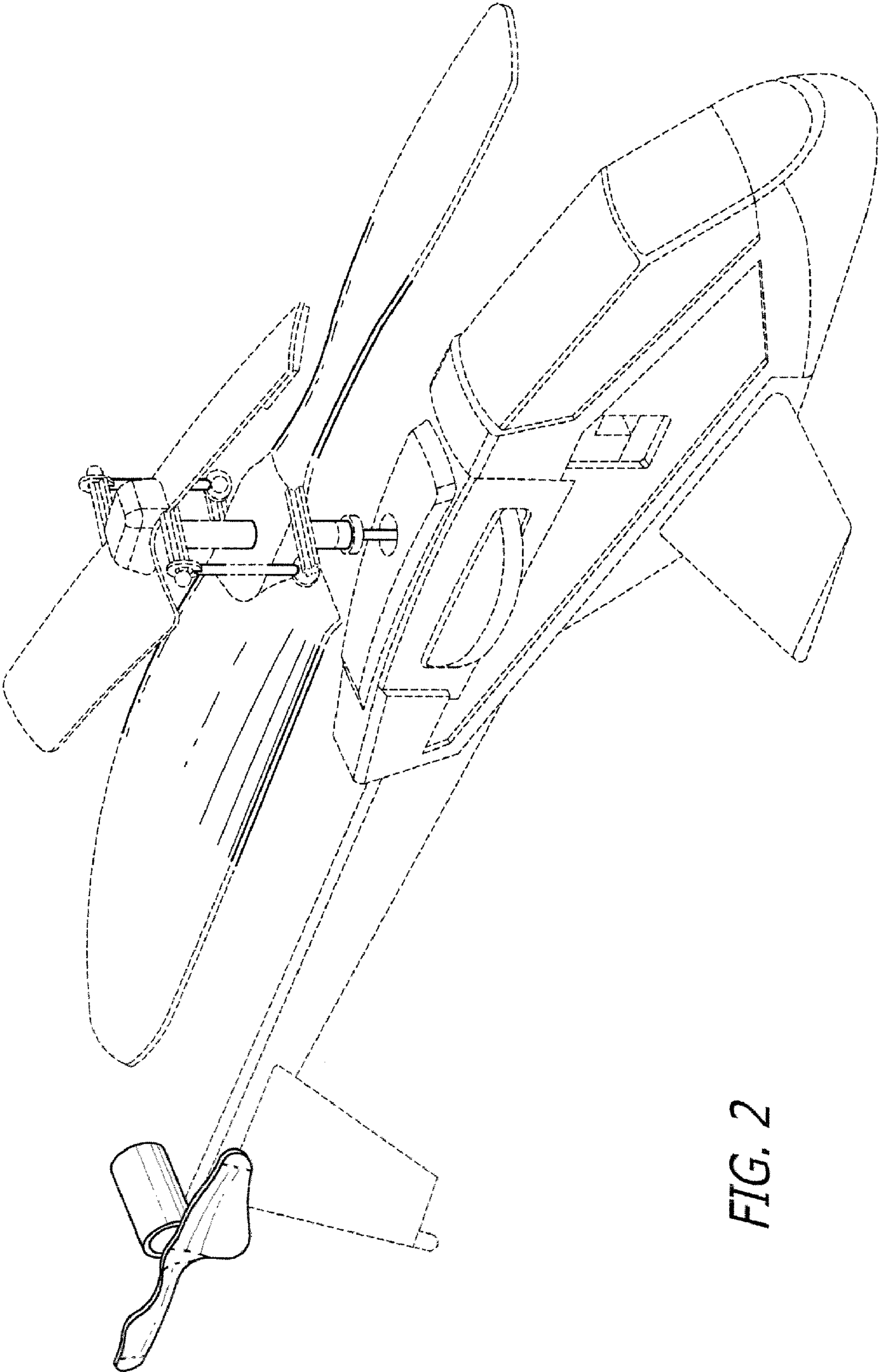


FIG. 2

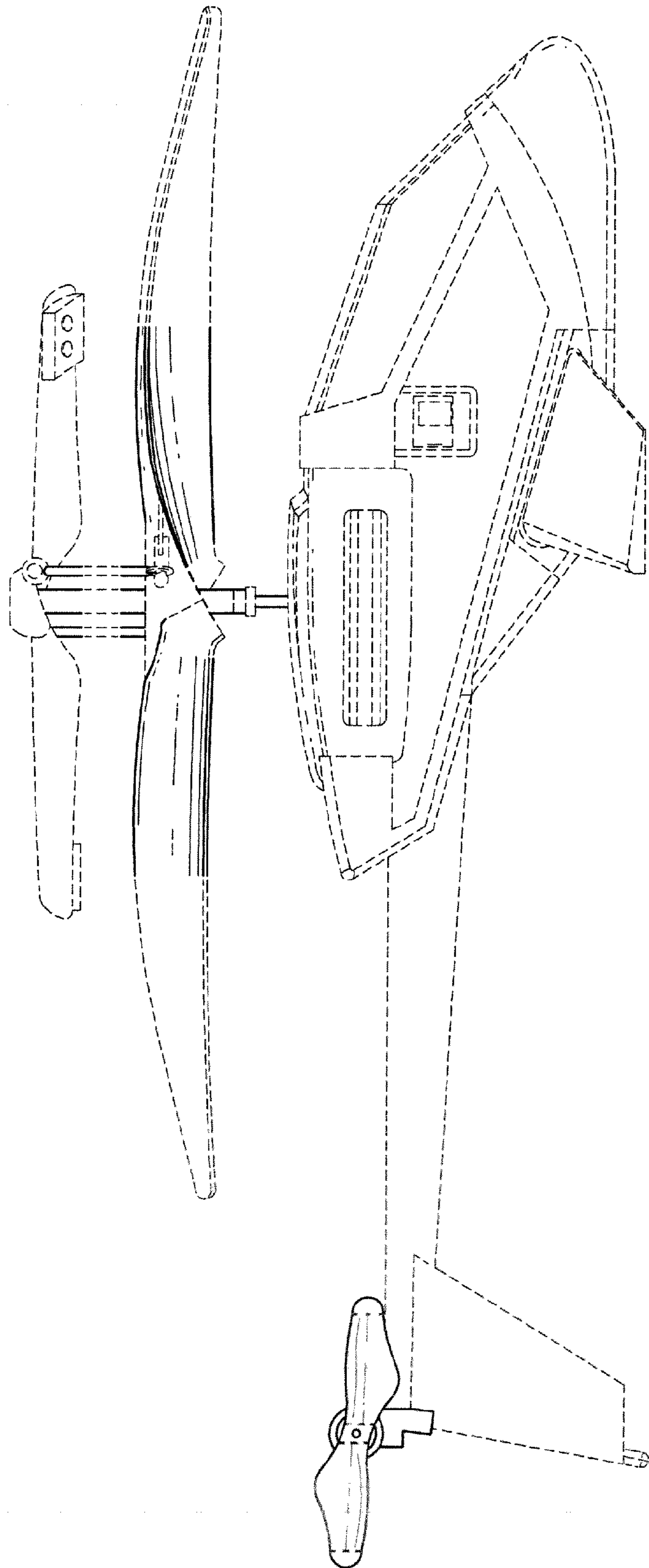


FIG. 3

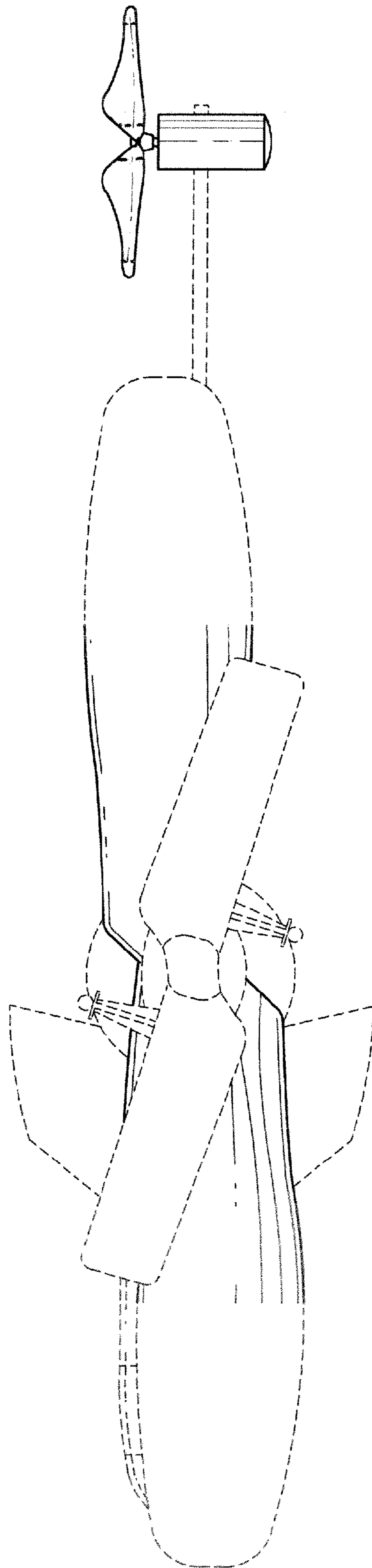


FIG. 4