



US00D579402S

(12) **United States Design Patent**
Ball et al.

(10) **Patent No.:** **US D579,402 S**
(45) **Date of Patent:** **** Oct. 28, 2008**

(54) **MULTI-ANGLE STEERING COLUMN
MOUNTING ARRANGEMENT**

2006/0290128 A1* 12/2006 Ridgway et al. 280/777
2007/0085317 A1* 4/2007 Russell et al. 280/777

(75) Inventors: **Landon N. Ball**, North Augusta, SC
(US); **Anthony J. Sanville**, Evans, GA
(US); **William N. Mosuch**, Augusta, GA
(US); **Walton R. Jeffcoat**, Augusta, GA
(US); **Albert G. Packard, III**, Evans,
GA (US)

* cited by examiner

Primary Examiner—T. Chase Nelson
Assistant Examiner—Sheryl Friedman
(74) *Attorney, Agent, or Firm*—Harness, Dickey & Pierce,
P.L.C.; Joseph M. Lafata

(73) Assignee: **Textron Inc.**, Providence, RI (US)

(57) **CLAIM**

(**) Term: **14 Years**

The ornamental design for a multi-angle steering column mounting arrangement, as shown and described.

(21) Appl. No.: **29/278,920**

DESCRIPTION

(22) Filed: **Apr. 13, 2007**

(51) **LOC (8) Cl.** **12-06**

(52) **U.S. Cl.** **D12/223**

(58) **Field of Classification Search** D12/223,
D12/177; D8/354; 74/492; 180/89.17; 280/777,
280/180, 775

See application file for complete search history.

FIG. 1 is a front perspective view of a multi-angle steering column mounting arrangement;
FIG. 2 is a front view thereof;
FIG. 3 is a rear view thereof;
FIG. 4 is a right side view thereof;
FIG. 5 is a left side view thereof;
FIG. 6 is a top view thereof;
FIG. 7 is a bottom view thereof;
FIG. 8 is a front perspective view of a second embodiment of a multi-angle steering column mounting arrangement;
FIG. 9 is a front view thereof;
FIG. 10 is a rear view thereof;
FIG. 11 is a right side view thereof;
FIG. 12 is a left side view thereof;
FIG. 13 is a top view thereof; and,
FIG. 14 is a bottom view thereof.

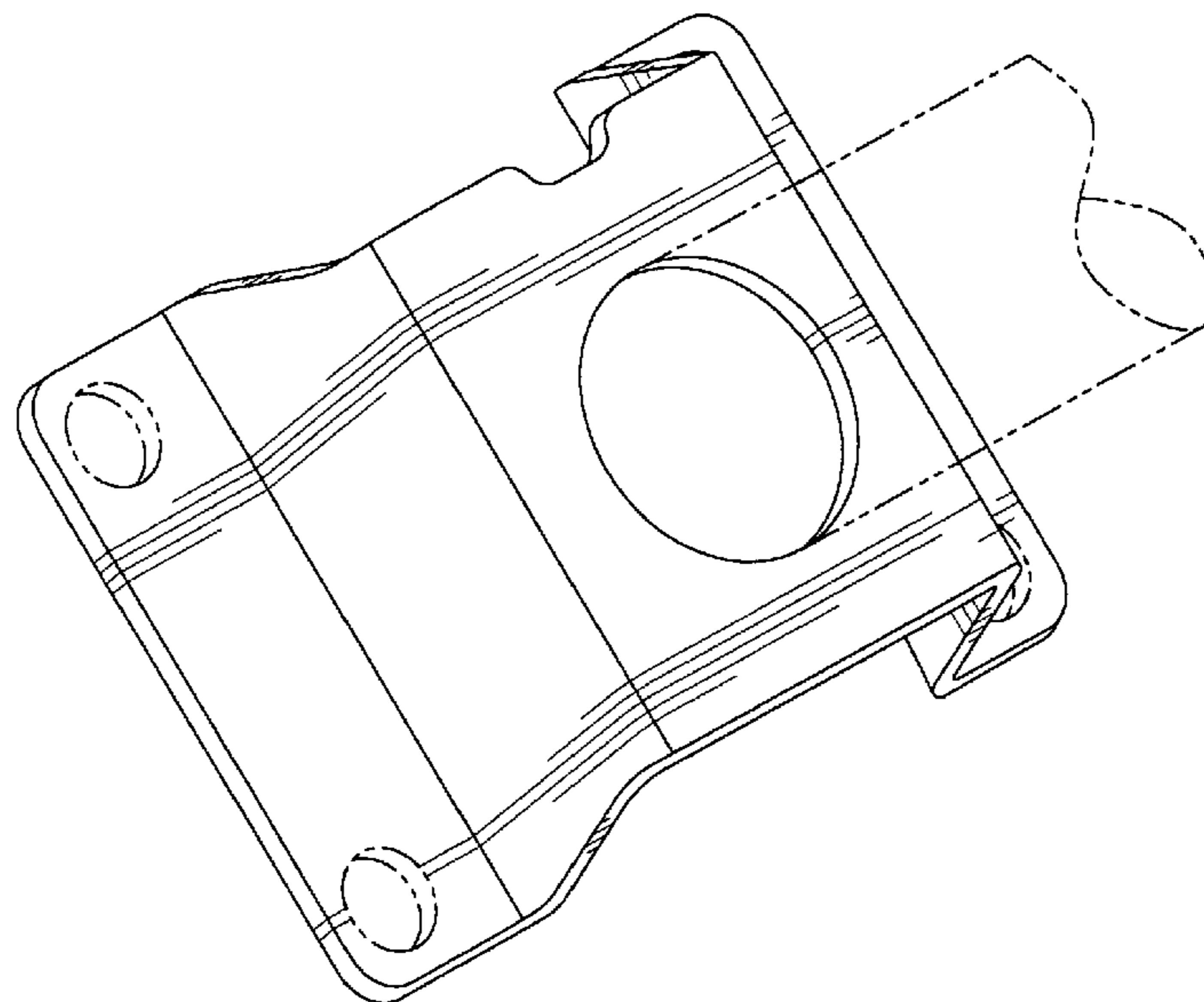
(56) **References Cited**

U.S. PATENT DOCUMENTS

3,597,993	A *	8/1971	Ripley	74/492
D241,612	S *	9/1976	Matousek	D8/354
4,674,769	A	6/1987	Ota et al.	
D384,877	S *	10/1997	Perrin et al.	D8/354
D417,135	S *	11/1999	McMahon	D8/354
D425,403	S *	5/2000	Medina	D8/354
6,276,291	B1	8/2001	Lapointe et al.	
6,279,953	B1 *	8/2001	Cartwright	280/779
D513,171	S *	12/2005	Richardson	D8/394
D523,803	S *	6/2006	Smith et al.	D12/223
7,264,274	B2 *	9/2007	Ridgway et al.	280/777
2003/0001375	A1 *	1/2003	Anspaugh et al.	280/777
2004/0124624	A1 *	7/2004	Anspaugh et al.	280/777
2006/0207378	A1 *	9/2006	Kramer et al.	74/492

The lines shown in phantom are for illustrative purposes only and do not form part of the invention.

1 Claim, 6 Drawing Sheets



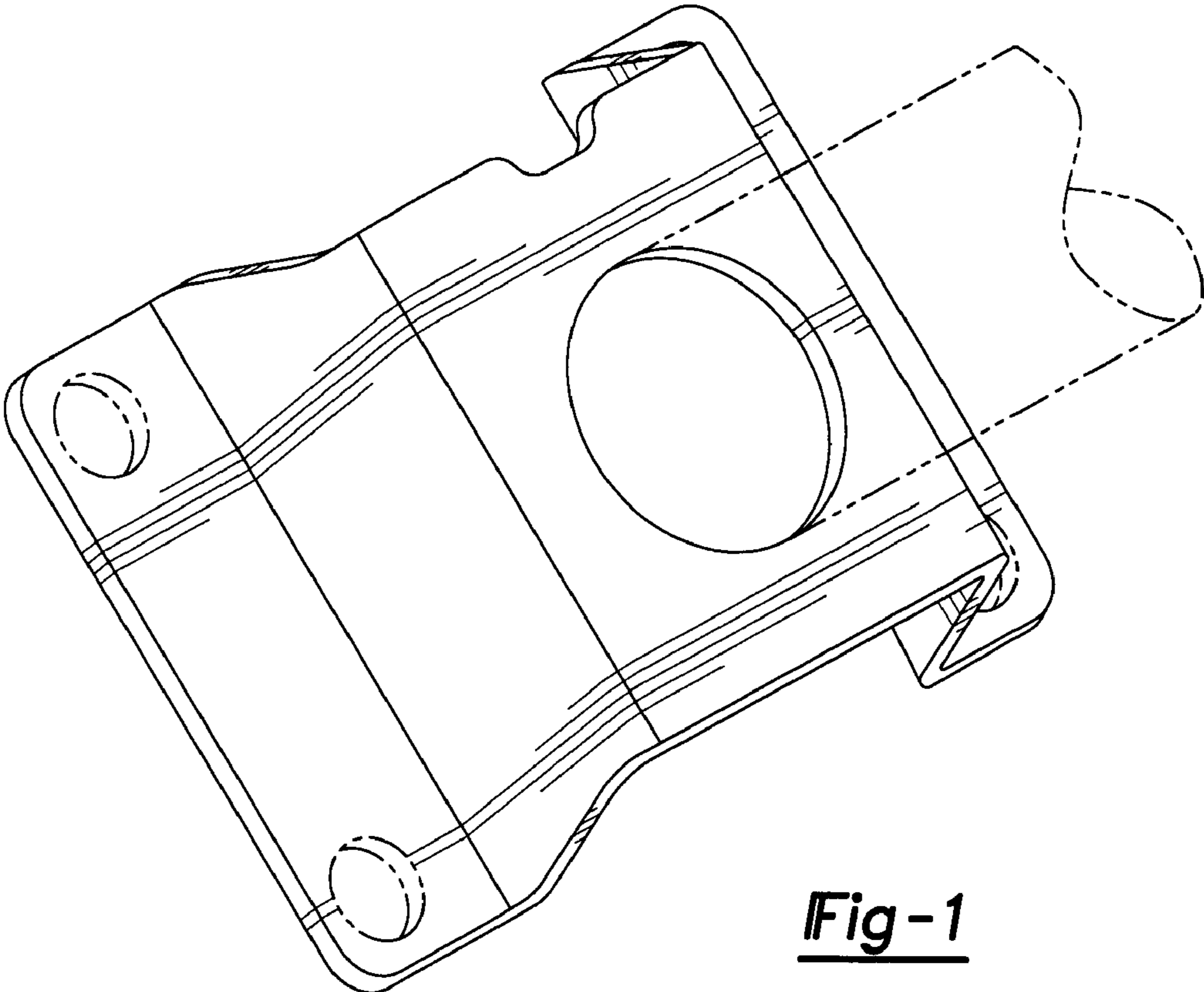


Fig-1

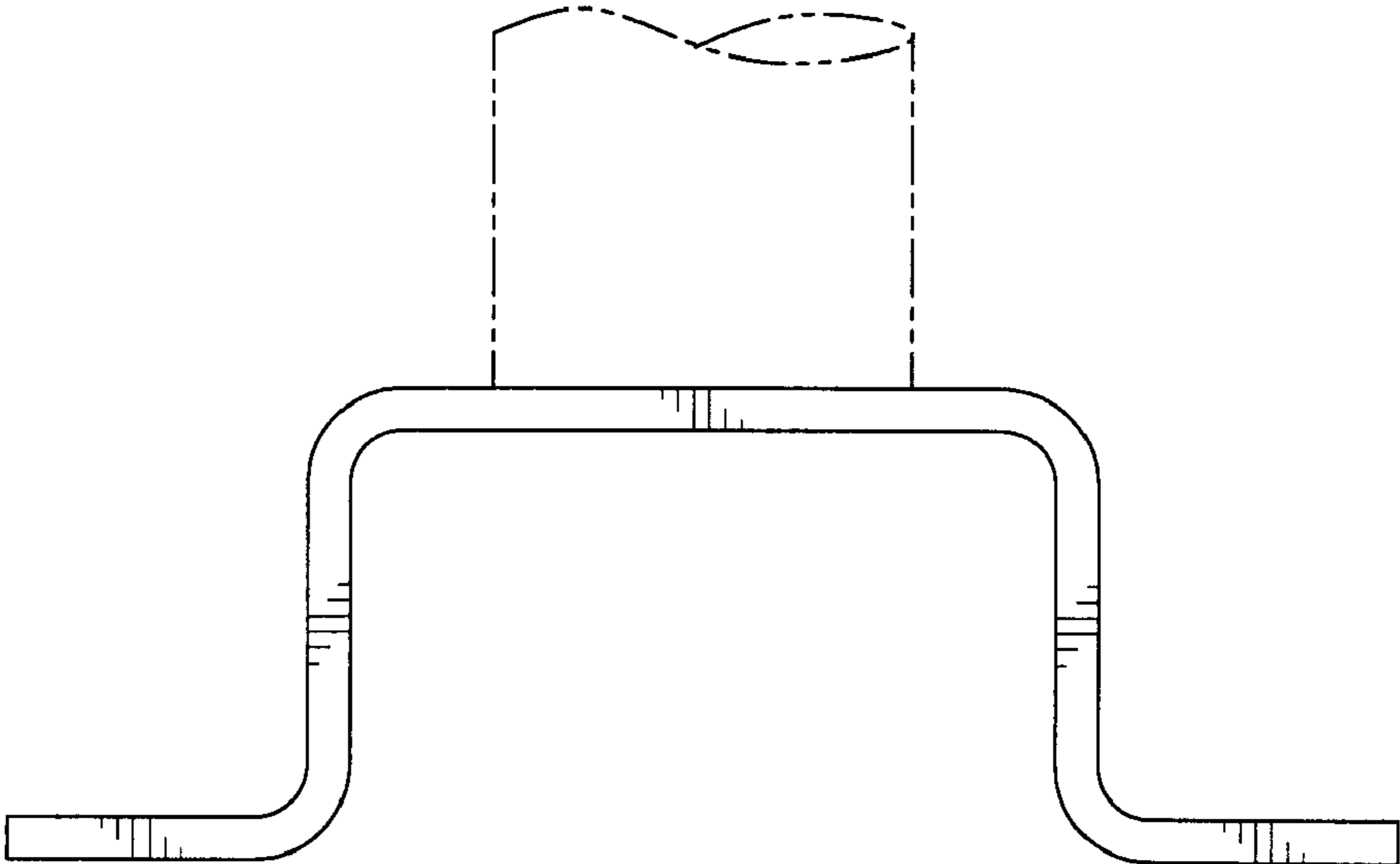


Fig-2

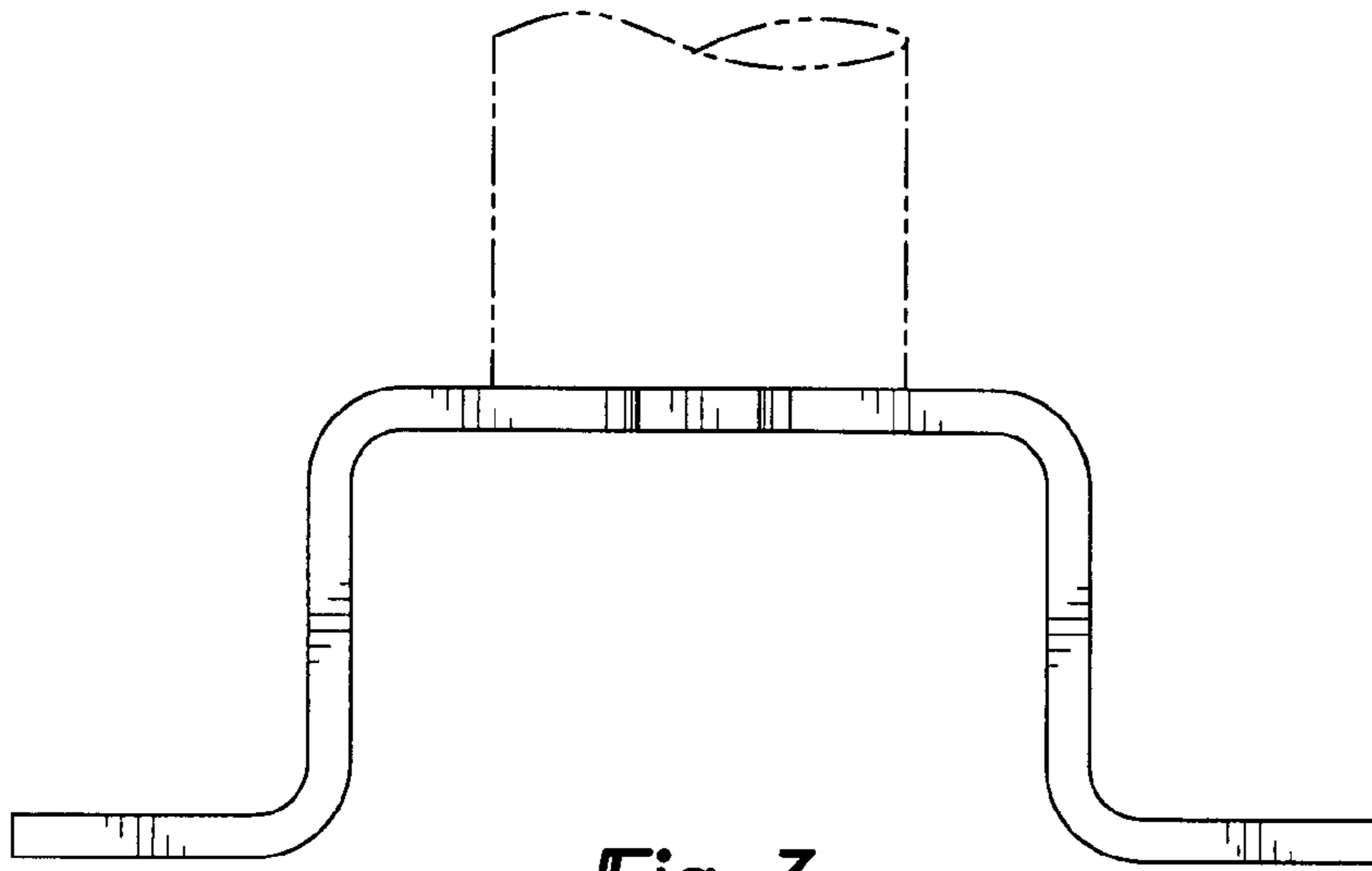


Fig-3

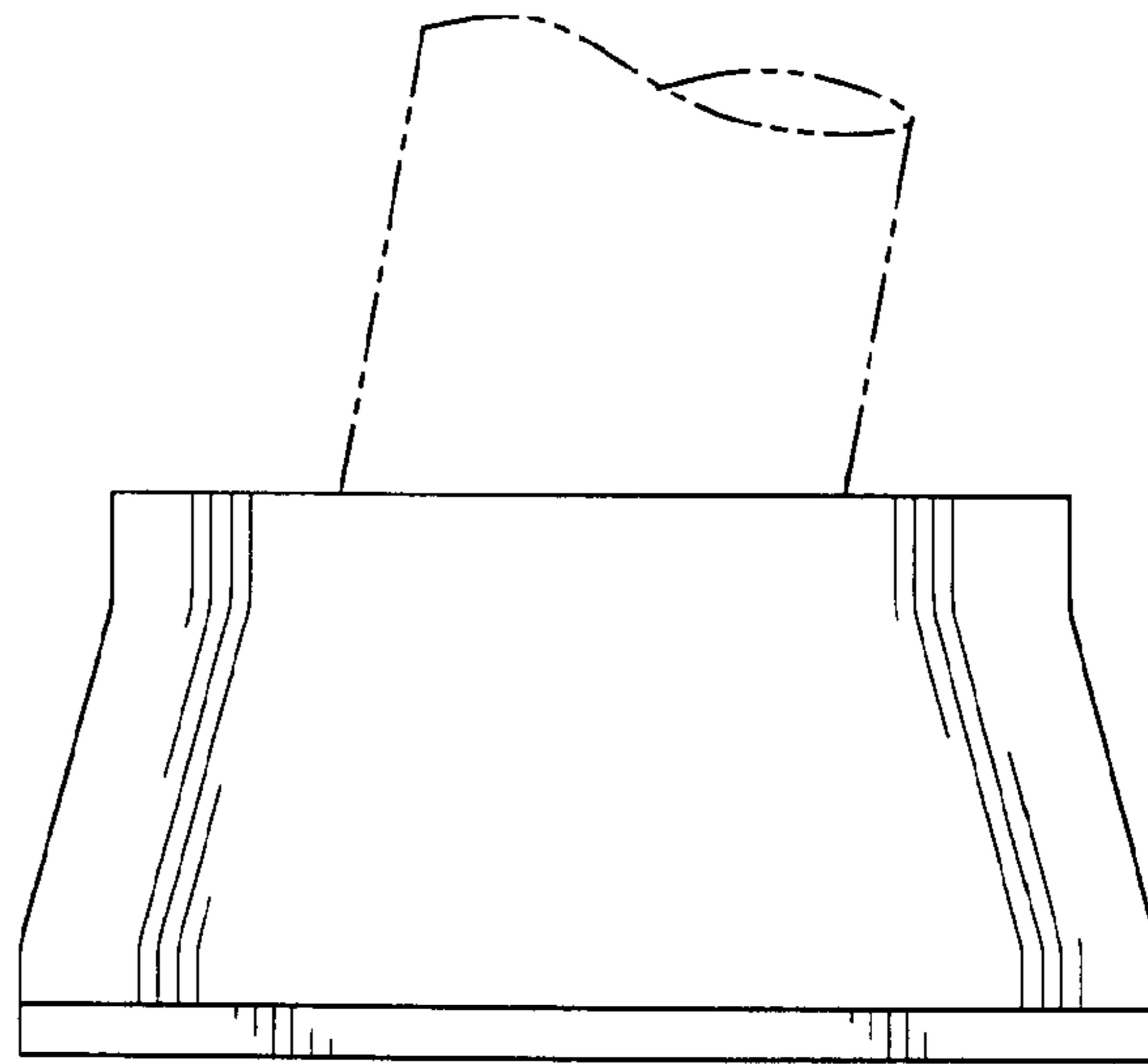


Fig-4

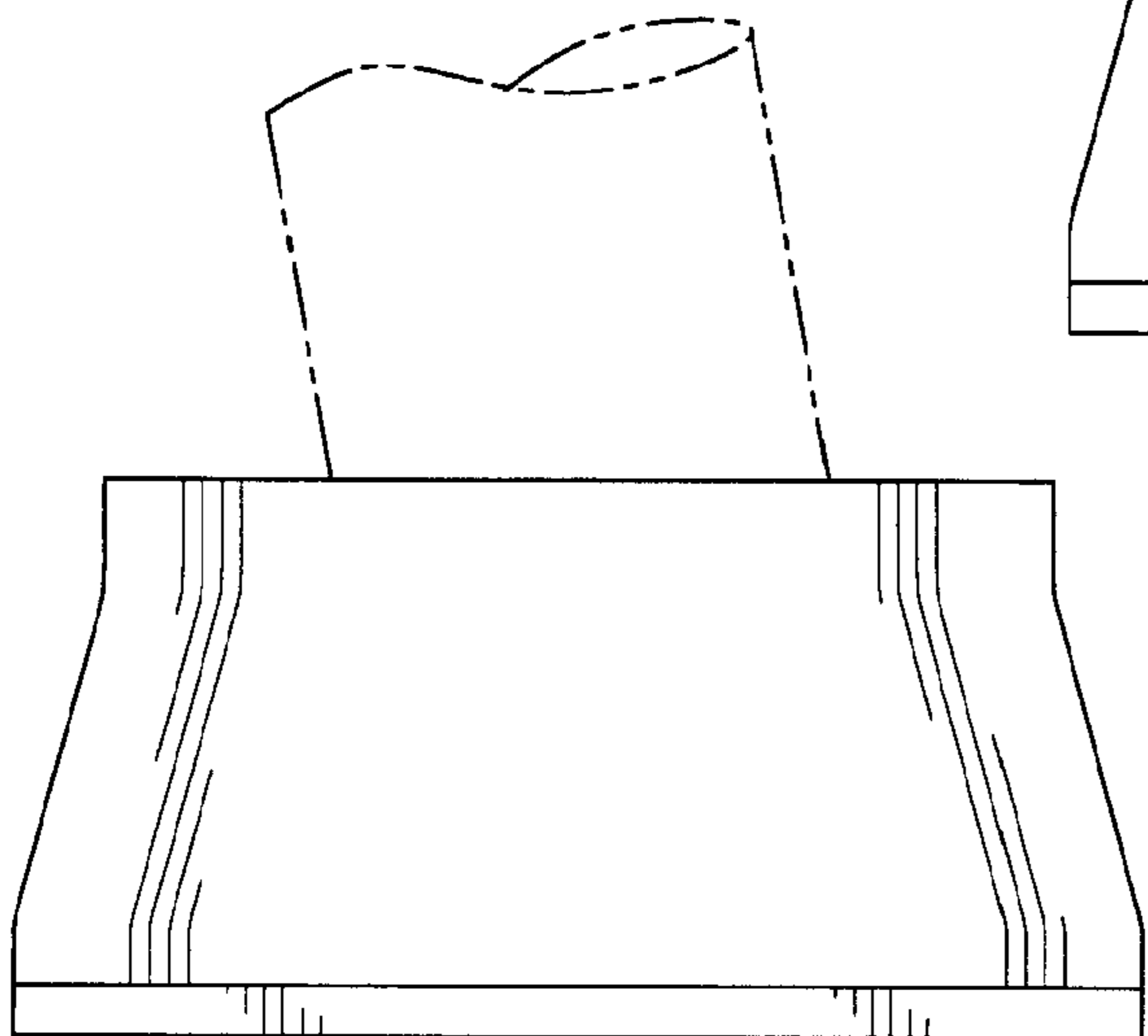


Fig-5

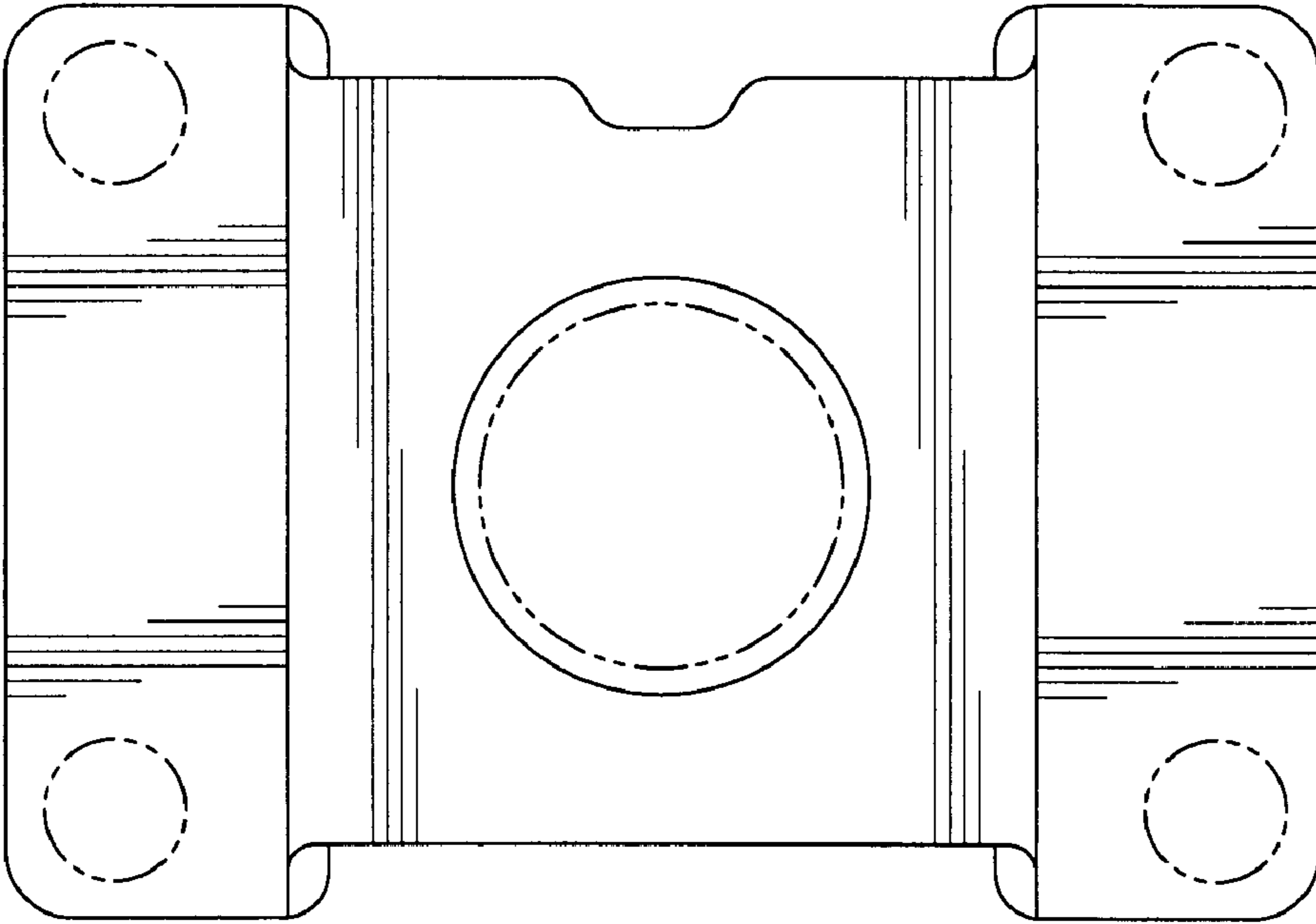


Fig-6

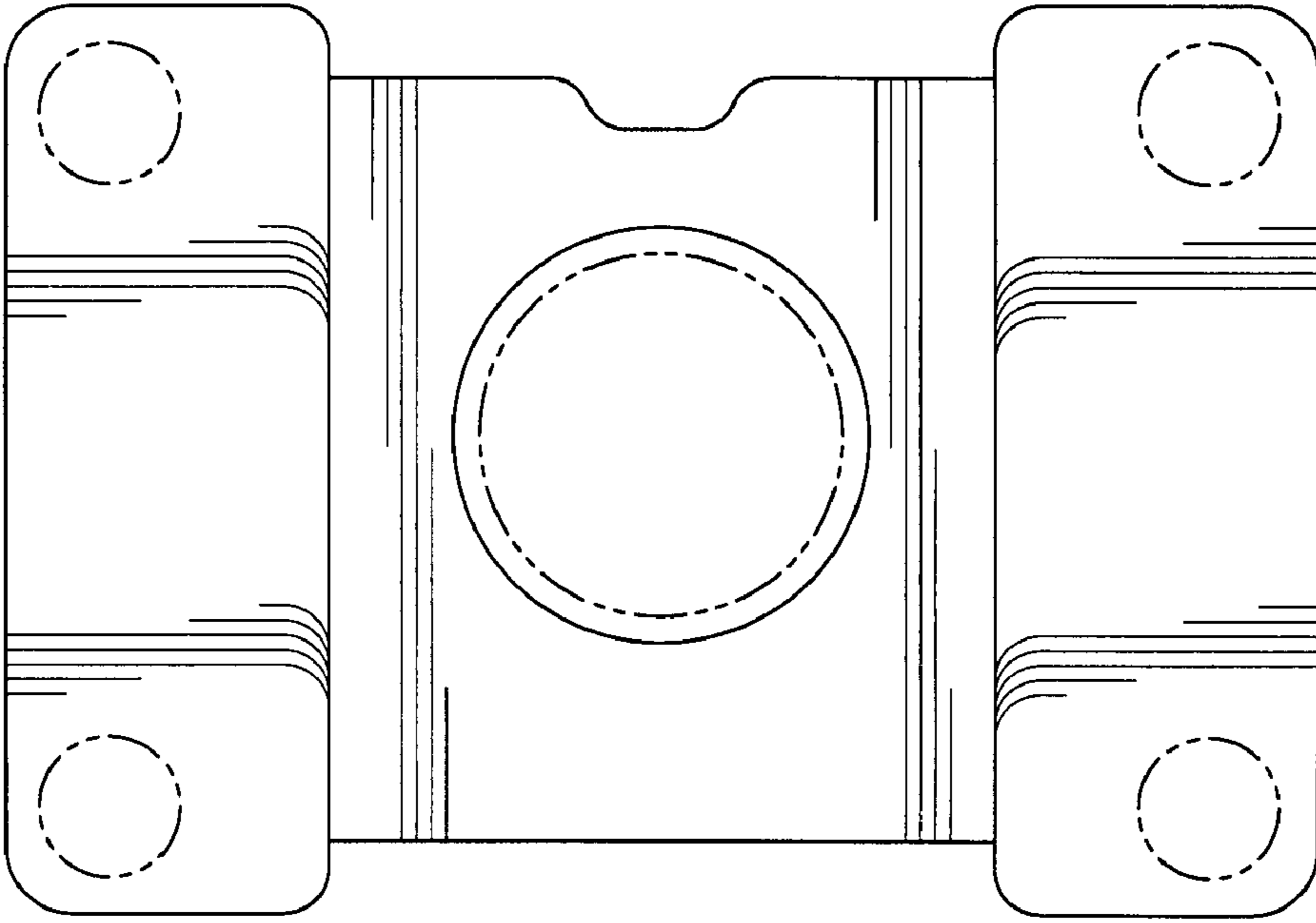


Fig-7

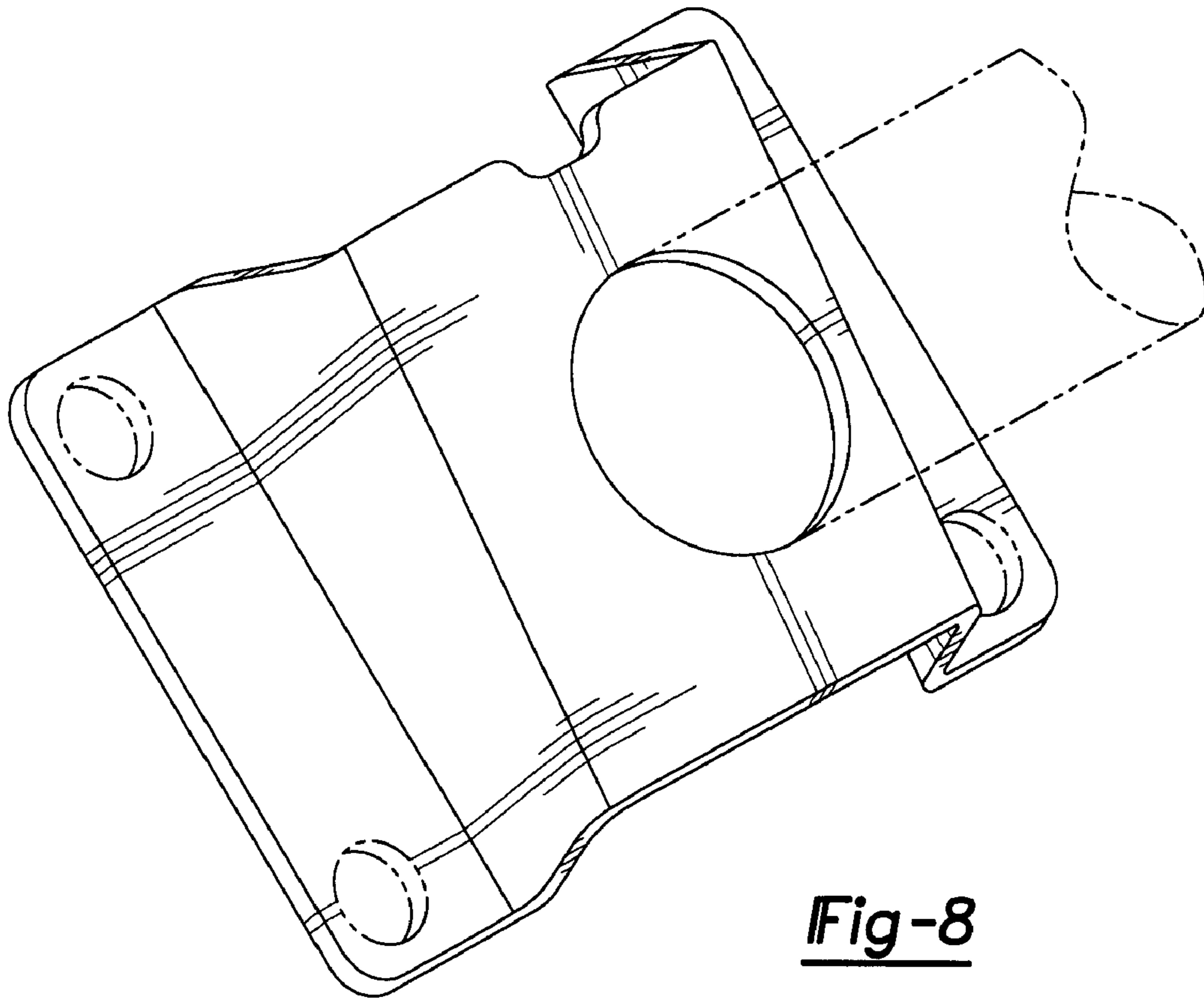


Fig-8

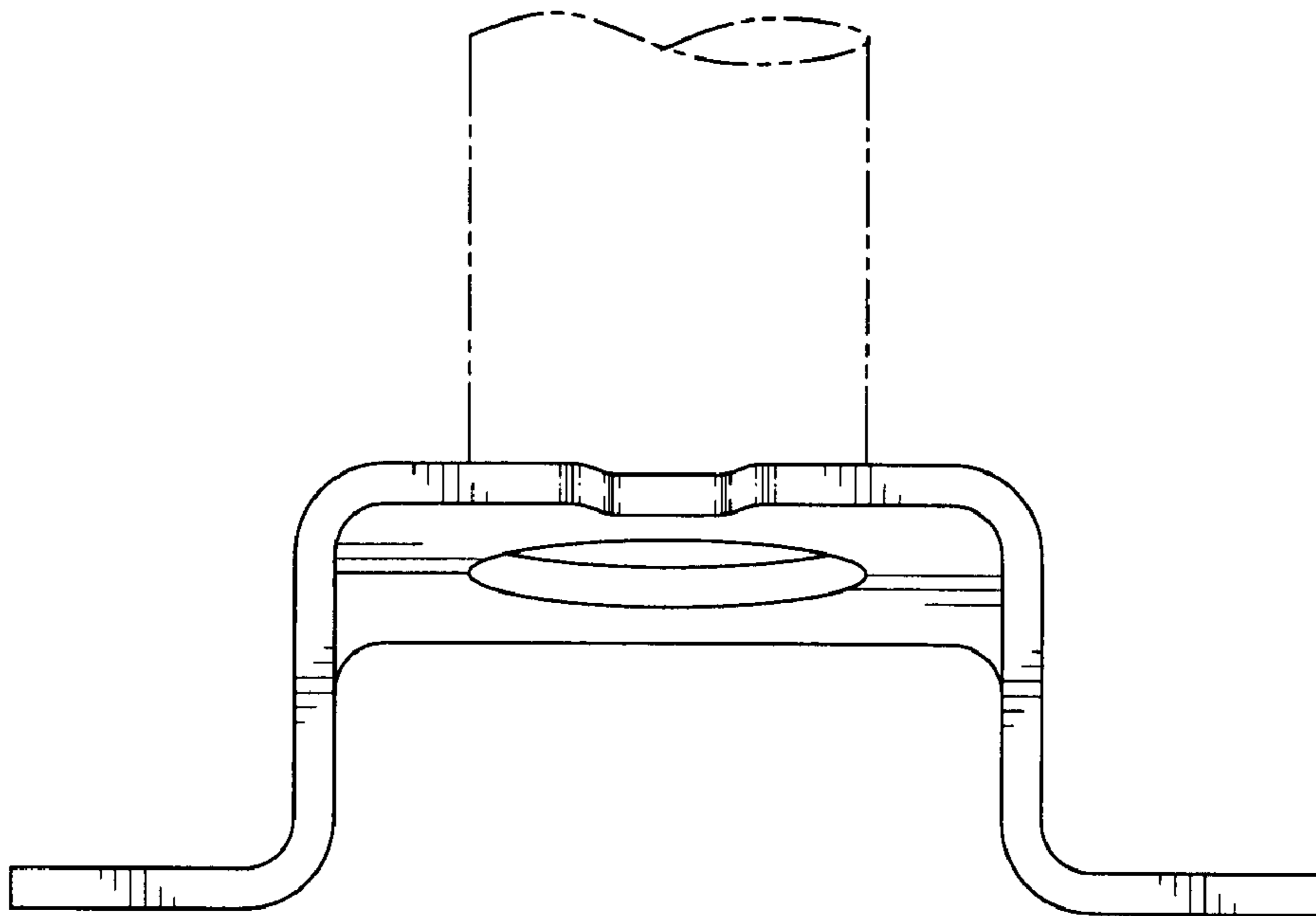


Fig-9

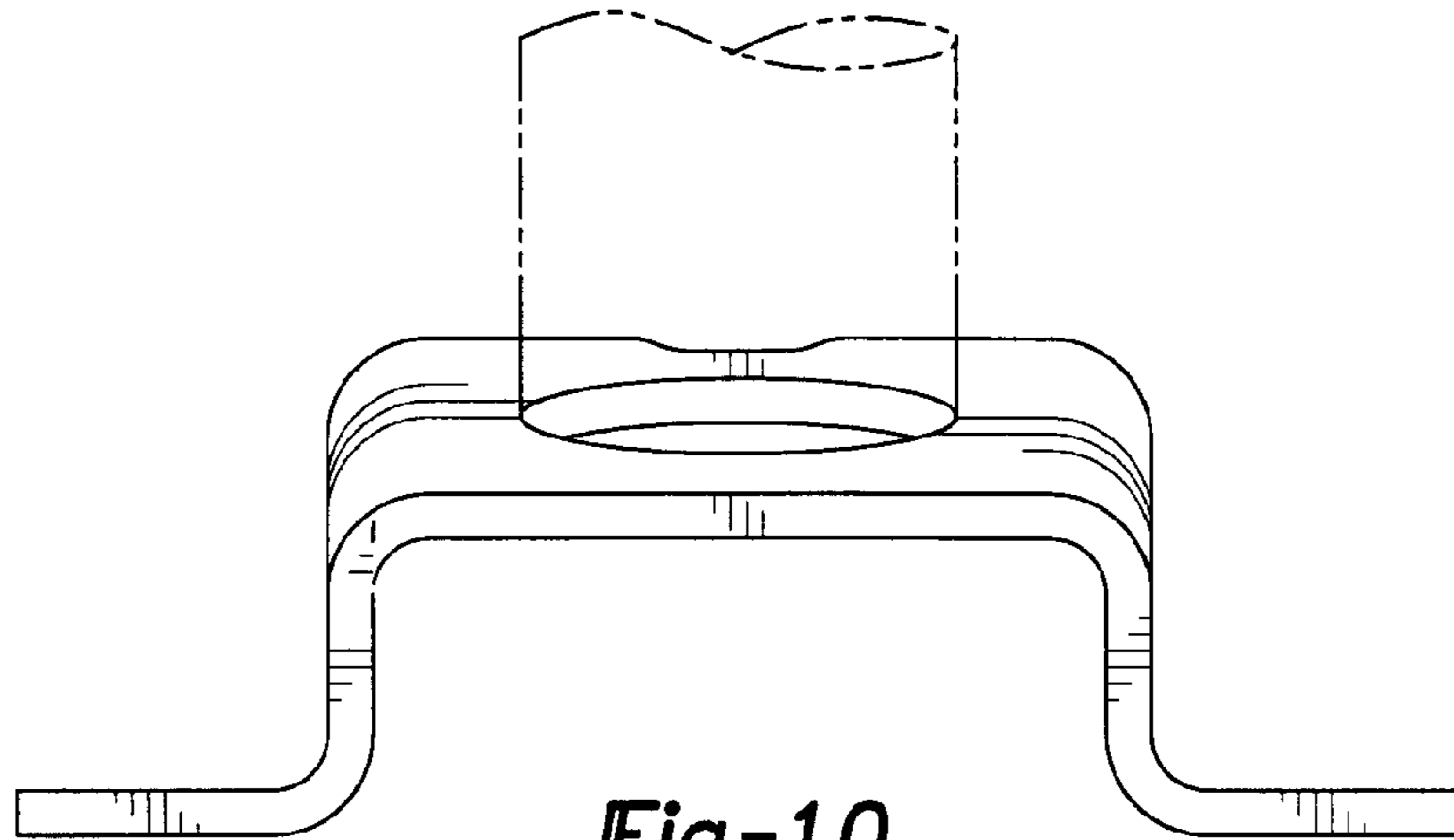


Fig-10

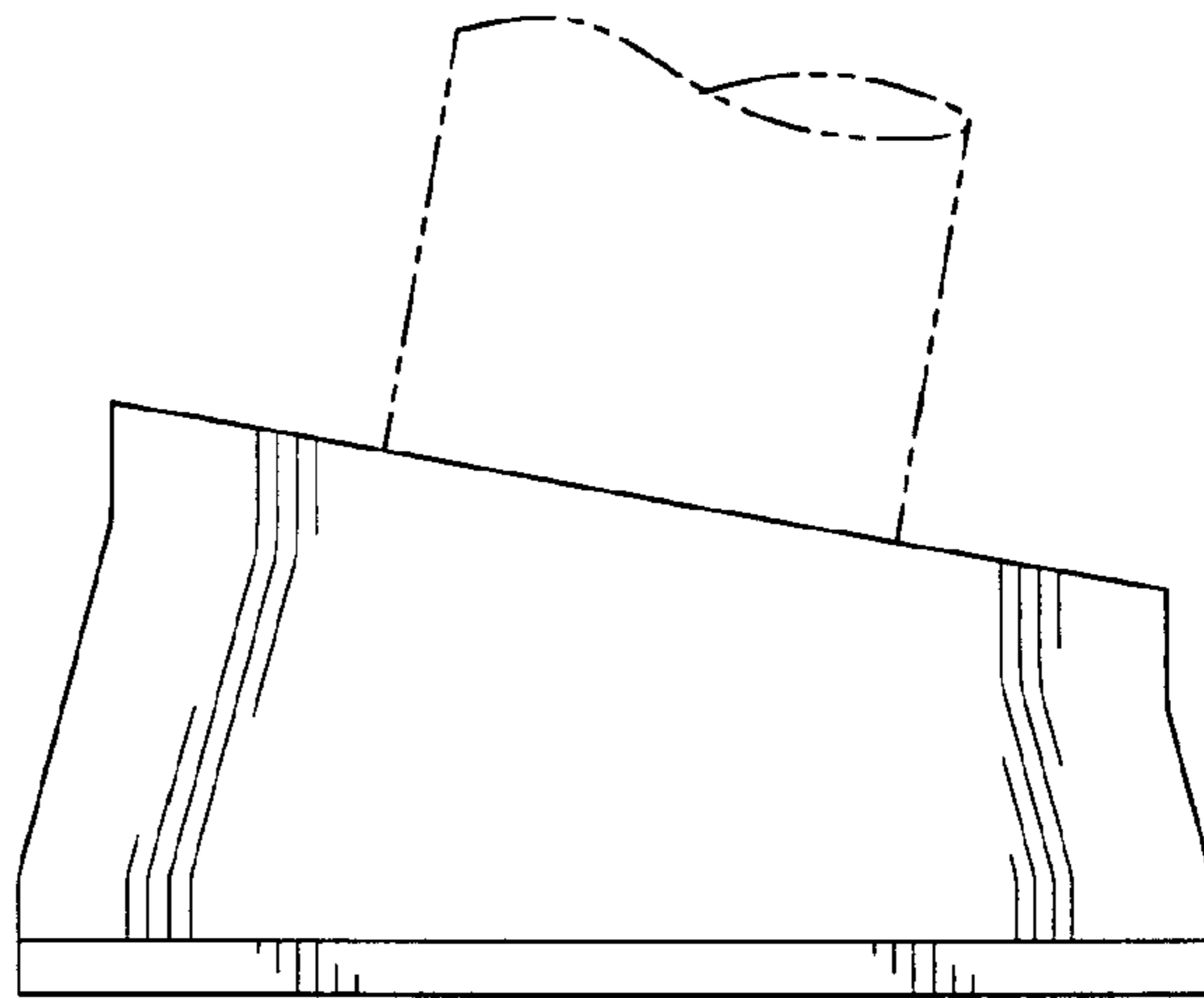


Fig-11

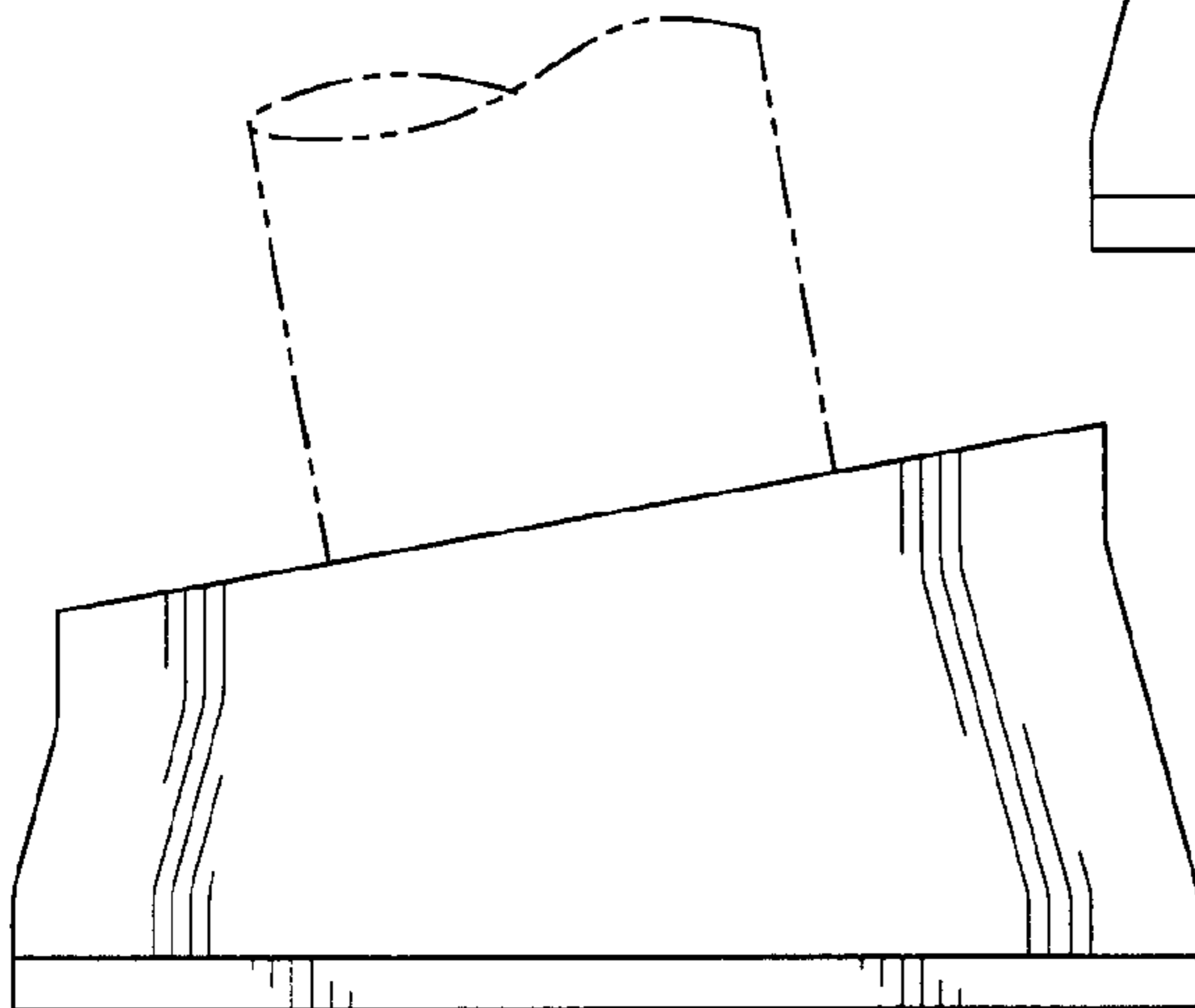


Fig-12

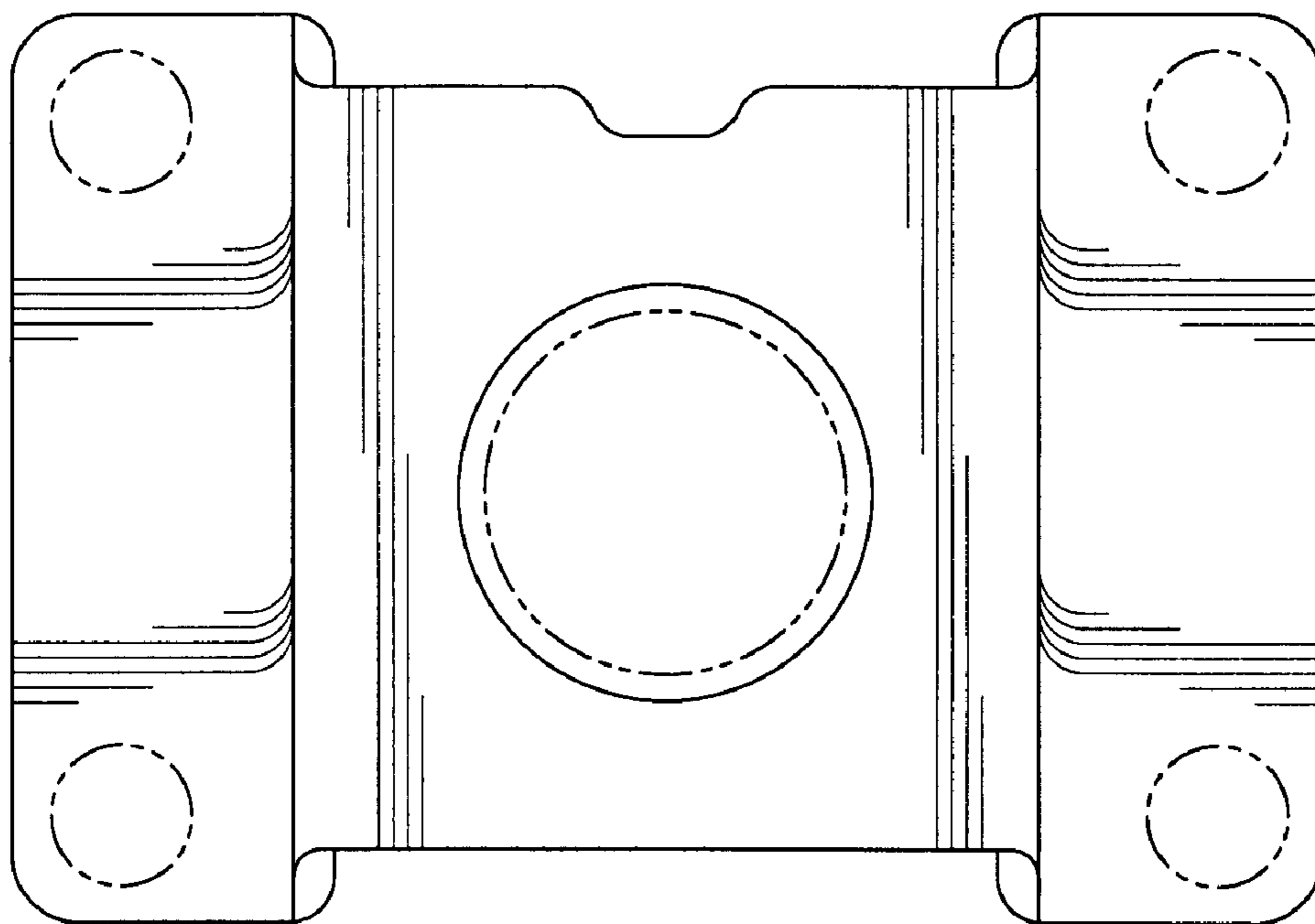


Fig-13

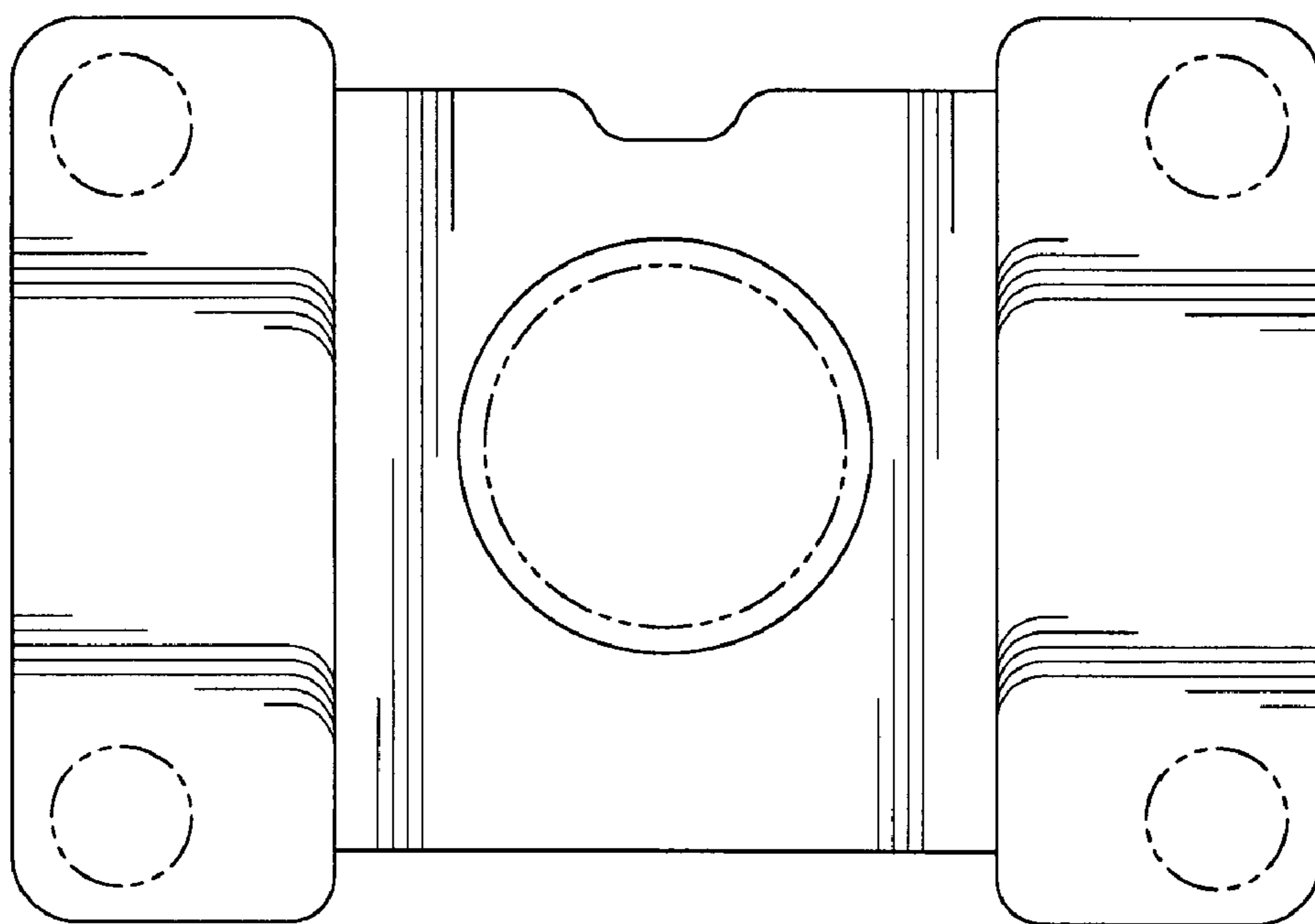


Fig-14