



US00D579401S

(12) **United States Design Patent**  
**Garrastacho et al.**

(10) **Patent No.:** **US D579,401 S**  
(45) **Date of Patent:** **\*\* Oct. 28, 2008**

(54) **WINDSHIELD WIPER**

(75) Inventors: **Eddie Garrastacho**, Miami, FL (US);  
**Saied Hussaini**, Miami, FL (US); **Marc Iacovelli**, Miami, FL (US)

(73) Assignee: **Rally Manufacturing, Inc.**, Miami, FL (US)

(\*\*) Term: **14 Years**

(21) Appl. No.: **29/304,694**

(22) Filed: **Mar. 6, 2008**

(51) **LOC (8) Cl.** ..... **12-06**

(52) **U.S. Cl.** ..... **D12/219**

(58) **Field of Classification Search** ..... D12/219-220;  
15/246, 247, 250.001, 250.41, 250.4, 250.361,  
15/250.19, 250.48, 250.03, 250.31-250.33,  
15/250.351, 250.38, 250.201, 250.451-458,  
15/250.04, 250.07, 250.44

See application file for complete search history.

(56) **References Cited**

**U.S. PATENT DOCUMENTS**

D334,161 S *	3/1993	Wu et al.	.....	D12/219
D378,365 S *	3/1997	Fitzgerald et al.	.....	D12/219
2003/0009842 A1 *	1/2003	Egner-Walter	.....	15/250.43
2004/0010881 A1 *	1/2004	Roekens	.....	15/250.201
2007/0186366 A1 *	8/2007	Alley	.....	15/250.4
2008/0078051 A1 *	4/2008	Herring et al.	.....	15/250.001

\* cited by examiner

*Primary Examiner*—Robert M. Spear

*Assistant Examiner*—Katrina A Kile

(74) *Attorney, Agent, or Firm*—Berenato, White & Stavish

(57) **CLAIM**

The ornamental design for a windshield wiper, as shown and described.

**DESCRIPTION**

FIG. 1 is a front elevational perspective view of the windshield wiper of FIG. 1.

FIG. 2 is a front View of the windshield wiper according to the present invention.

FIG. 3 is a rear view of the windshield wiper of FIG. 1.

FIG. 4 is a left side view of the windshield wiper of FIG. 1.

FIG. 5 is a right side view of the windshield wiper of FIG. 1.

FIG. 6 is a top view of the windshield wiper of FIG. 1.

FIG. 7 is a bottom view of the windshield wiper of FIG. 1.

FIG. 8 is a section view taken along lines 8—8 of FIG. 2.

FIG. 9 is a section view taken along lines 9—9 of FIG. 2.

FIG. 10 is an isolated front View of the center frame portion of the windshield wiper of FIG. 1.

FIG. 11 is a rear view of the center frame portion of the windshield wiper of FIG. 1.

FIG. 12 is a left side view of the center frame portion of the windshield wiper of FIG. 1.

FIG. 13 is a right side view of the center frame portion of the windshield wiper of FIG. 1.

FIG. 14 is a top view of the center frame portion of the windshield wiper of FIG. 1; and,

FIG. 15 is a bottom view of the center frame portion of the windshield wiper of FIG. 1.

**1 Claim, 4 Drawing Sheets**

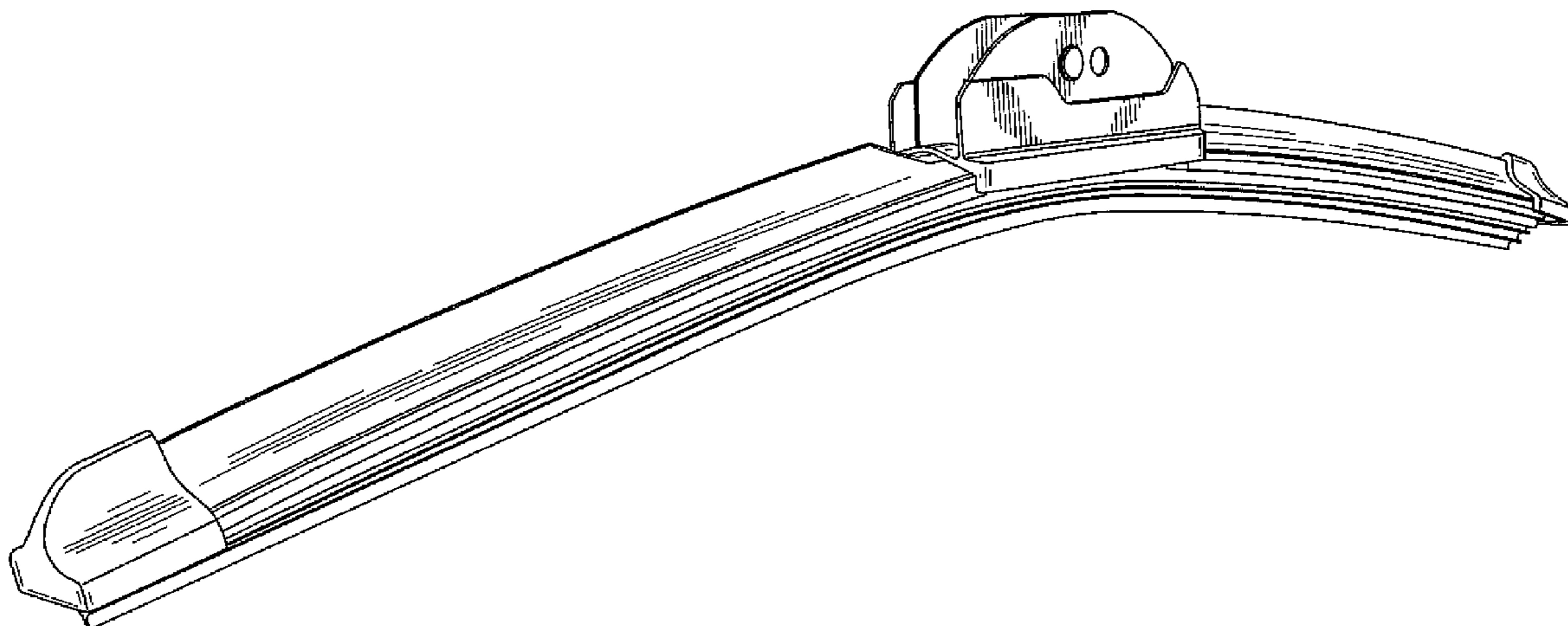


Fig. 1

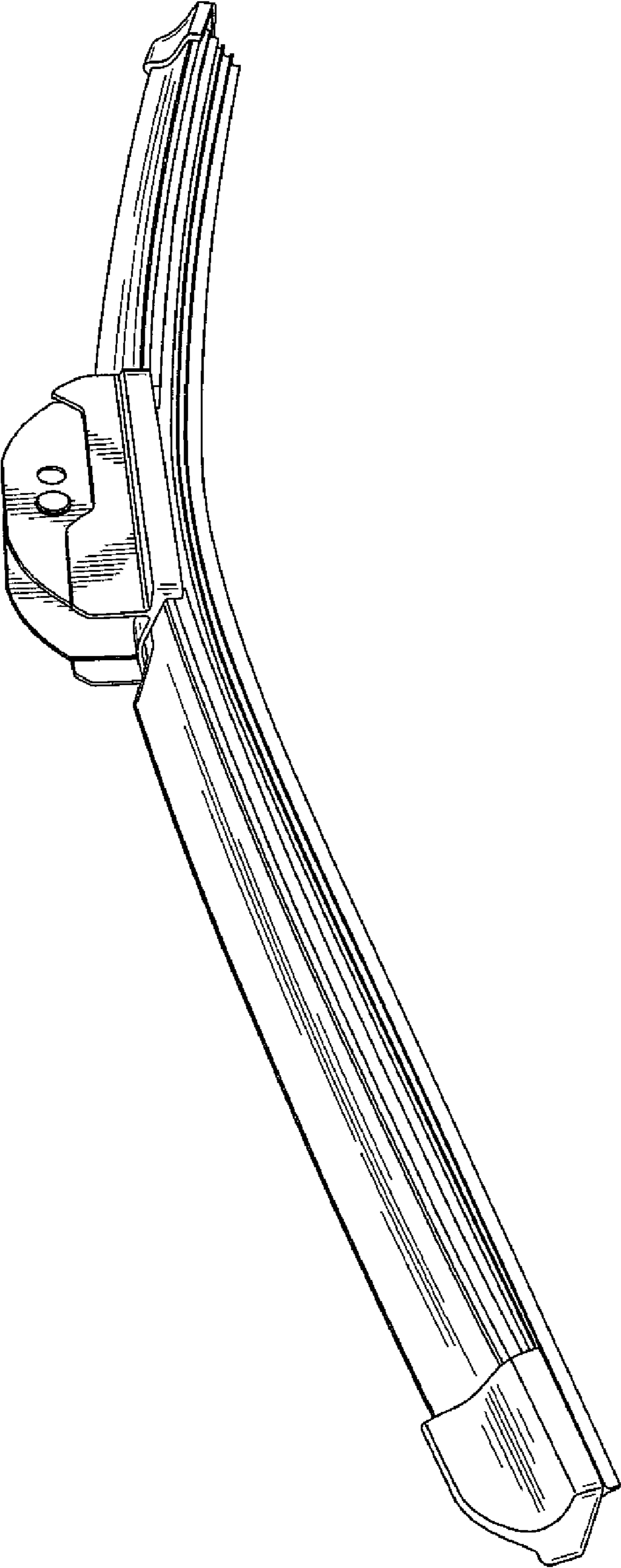


Fig. 2

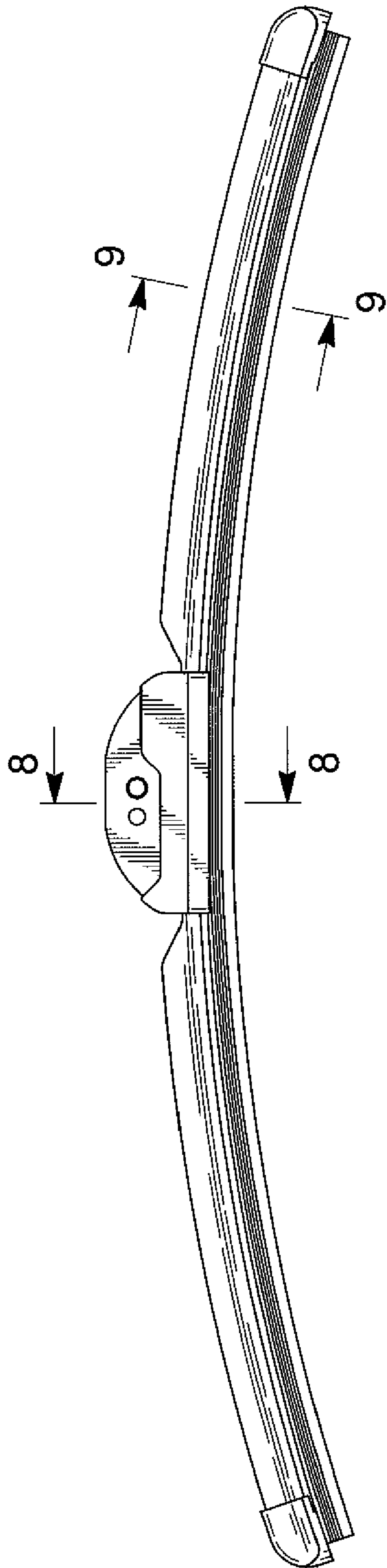


Fig. 3

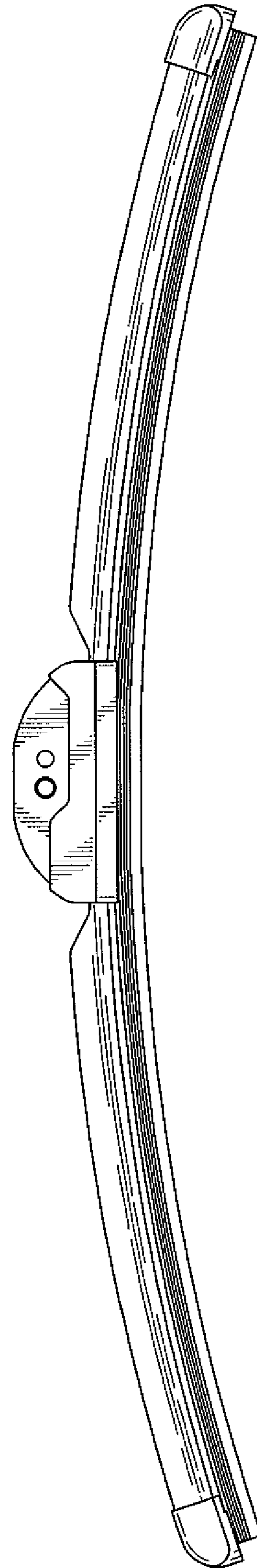


Fig. 4



Fig. 5



Fig. 6

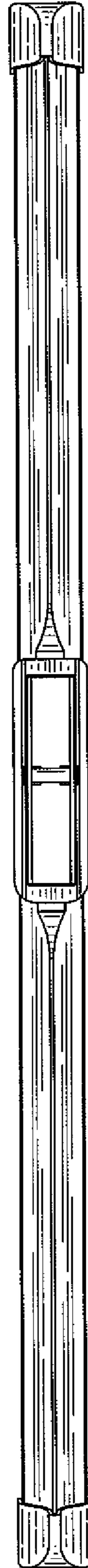


Fig. 7



Fig. 8

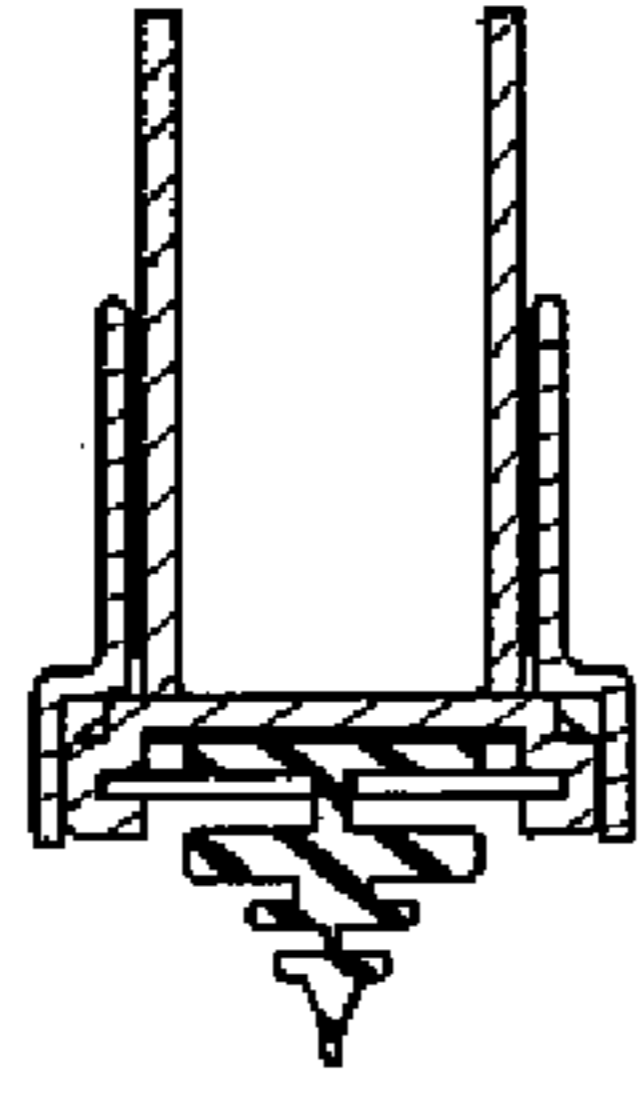


Fig. 9

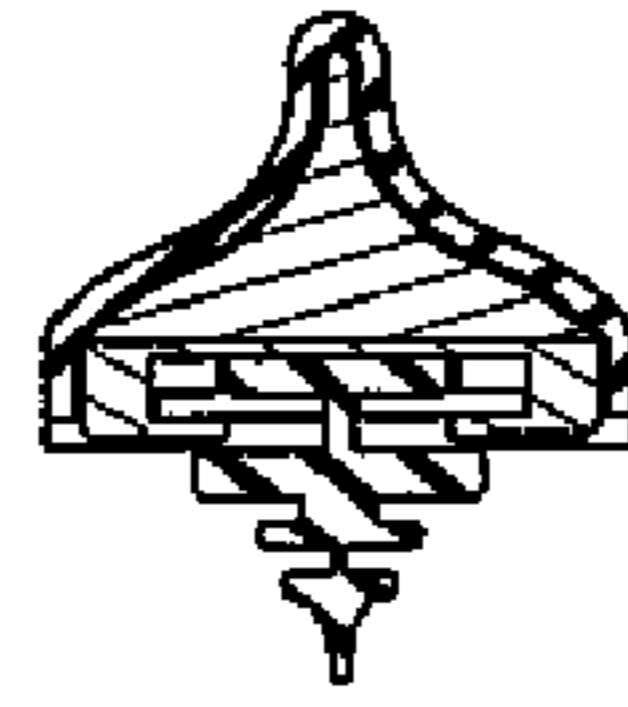


Fig. 10

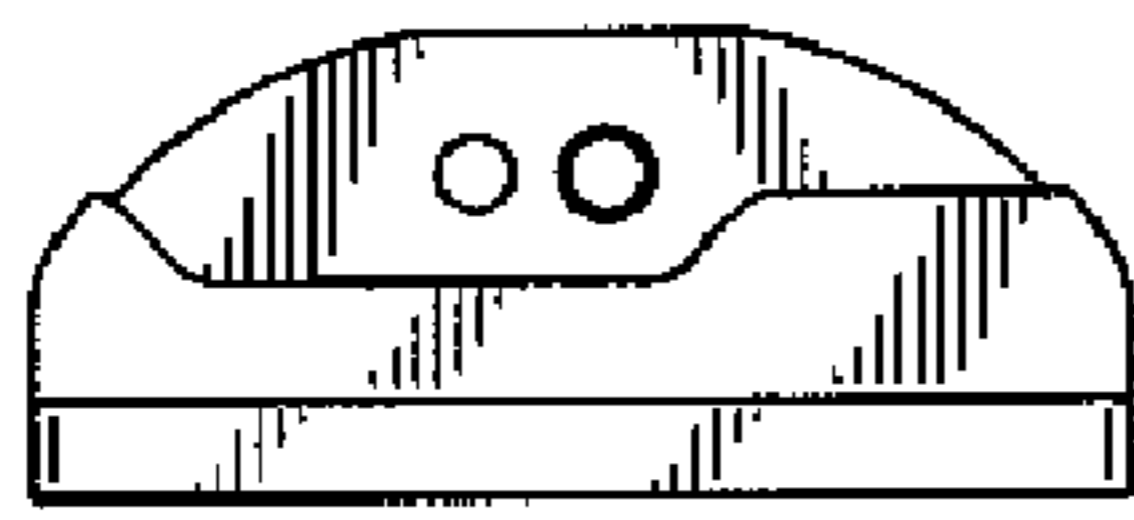


Fig. 11

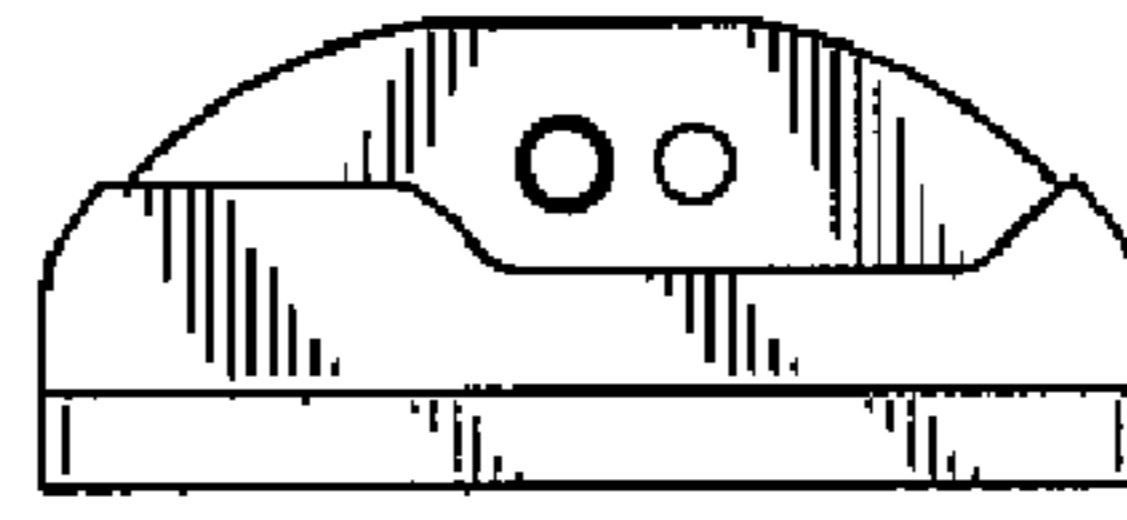


Fig. 12

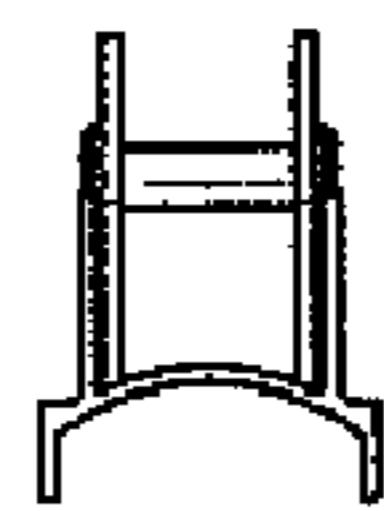


Fig. 13

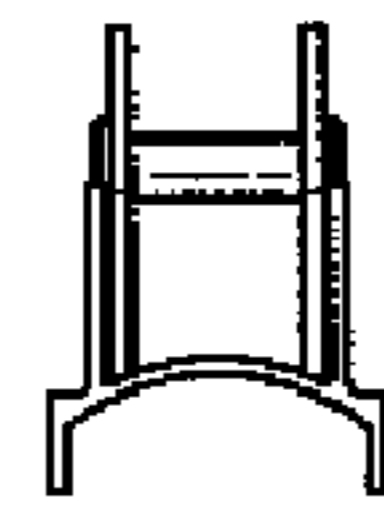


Fig. 14



Fig. 15

