



US00D579400S

(12) **United States Design Patent**  
**Norman**

(10) **Patent No.:** **US D579,400 S**  
(45) **Date of Patent:** **\*\* Oct. 28, 2008**

(54) **PROPELLER GUARD**

D537,028 S \* 2/2007 Norman ..... D12/214

(75) Inventor: **George Norman**, Bradenton, FL (US)

\* cited by examiner

(73) Assignee: **Enviroprop Corporation**, Sarasota, FL (US)

*Primary Examiner*—Lisa P Lichtenstein  
(74) *Attorney, Agent, or Firm*—Kunzler & McKenzie

(\*\*) Term: **14 Years**

(57) **CLAIM**

(21) Appl. No.: **29/237,195**

The ornamental design for a propeller guard, as shown and described.

(22) Filed: **Aug. 20, 2005**

**DESCRIPTION**

(51) **LOC (8) Cl.** ..... **12-16**

(52) **U.S. Cl.** ..... **D12/214**

(58) **Field of Classification Search** ..... D12/214;  
440/74, 71

See application file for complete search history.

FIG. 1 is an aft elevation view of the propeller guard, showing my new design;

FIG. 2 is a fore elevation view thereof;

FIG. 3 is a reduced left side elevation view thereof;

FIG. 4 is a reduced right side elevation view thereof;

FIG. 5 is a greatly reduced top plan view thereof; and,

FIG. 6 is a greatly reduced bottom plan view thereof.

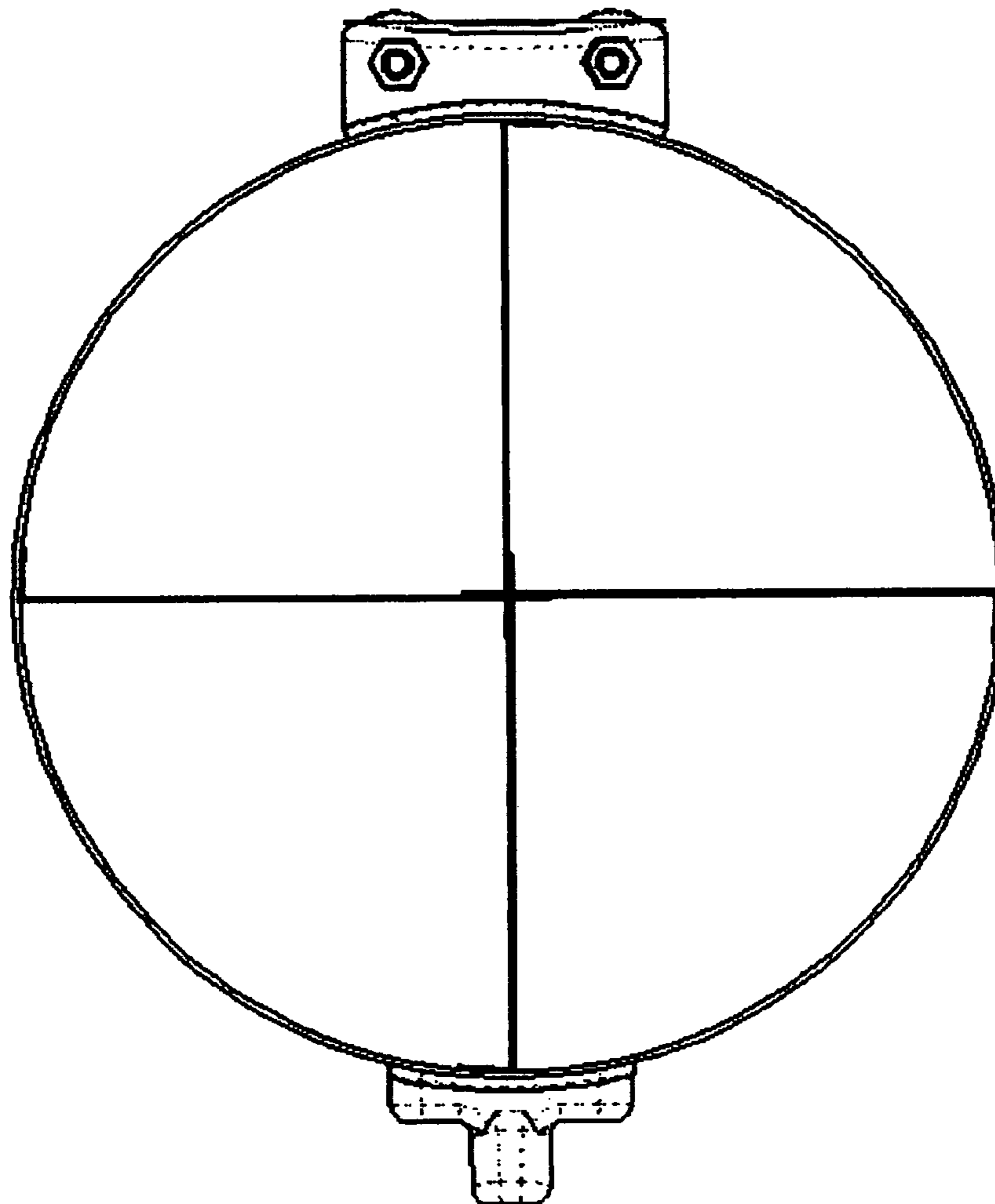
(56) **References Cited**

**U.S. PATENT DOCUMENTS**

6,478,640 B1 \* 11/2002 Raps ..... 440/72

D536,296 S \* 2/2007 Norman ..... D12/214

**1 Claim, 6 Drawing Sheets**



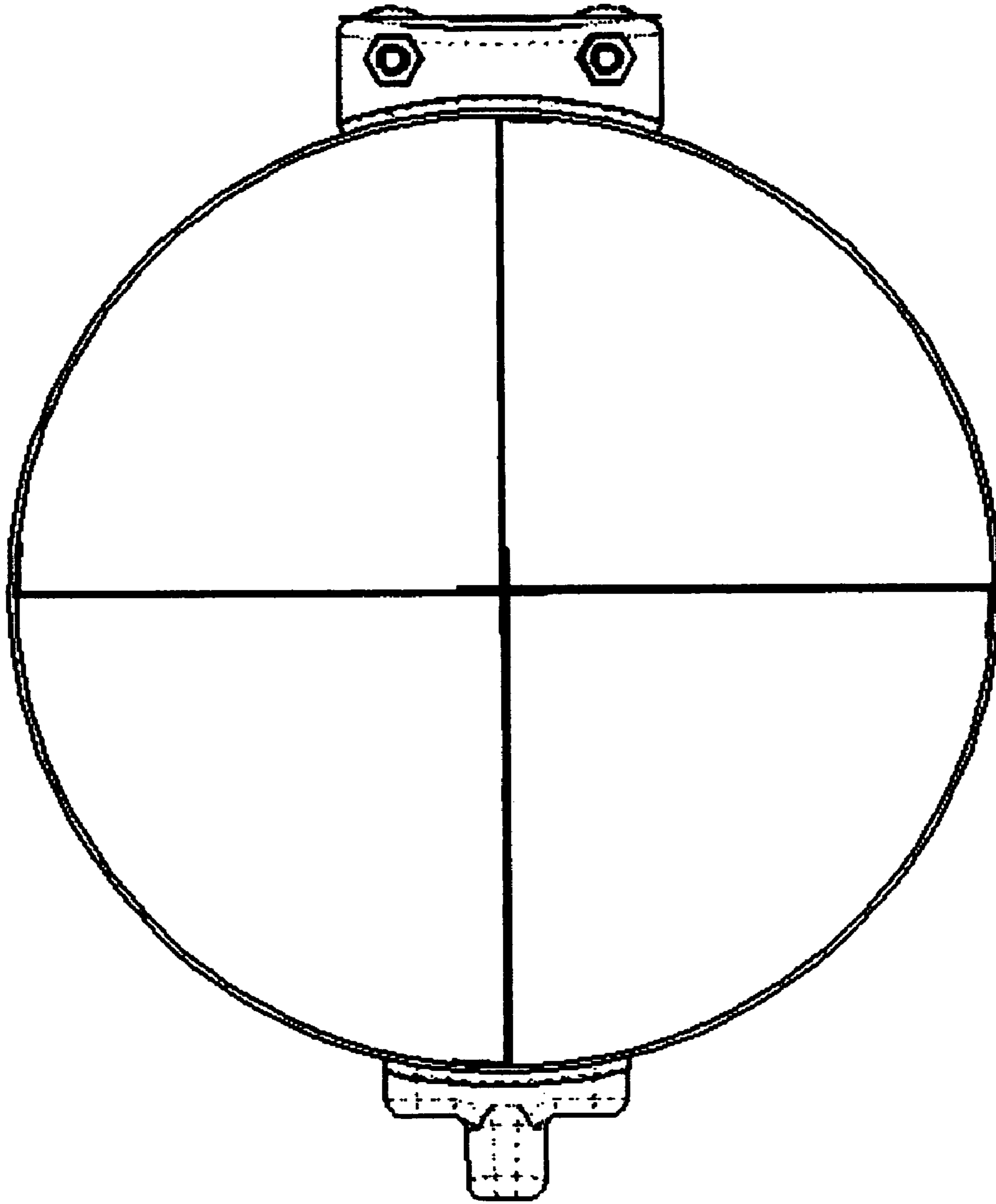


FIG. 1

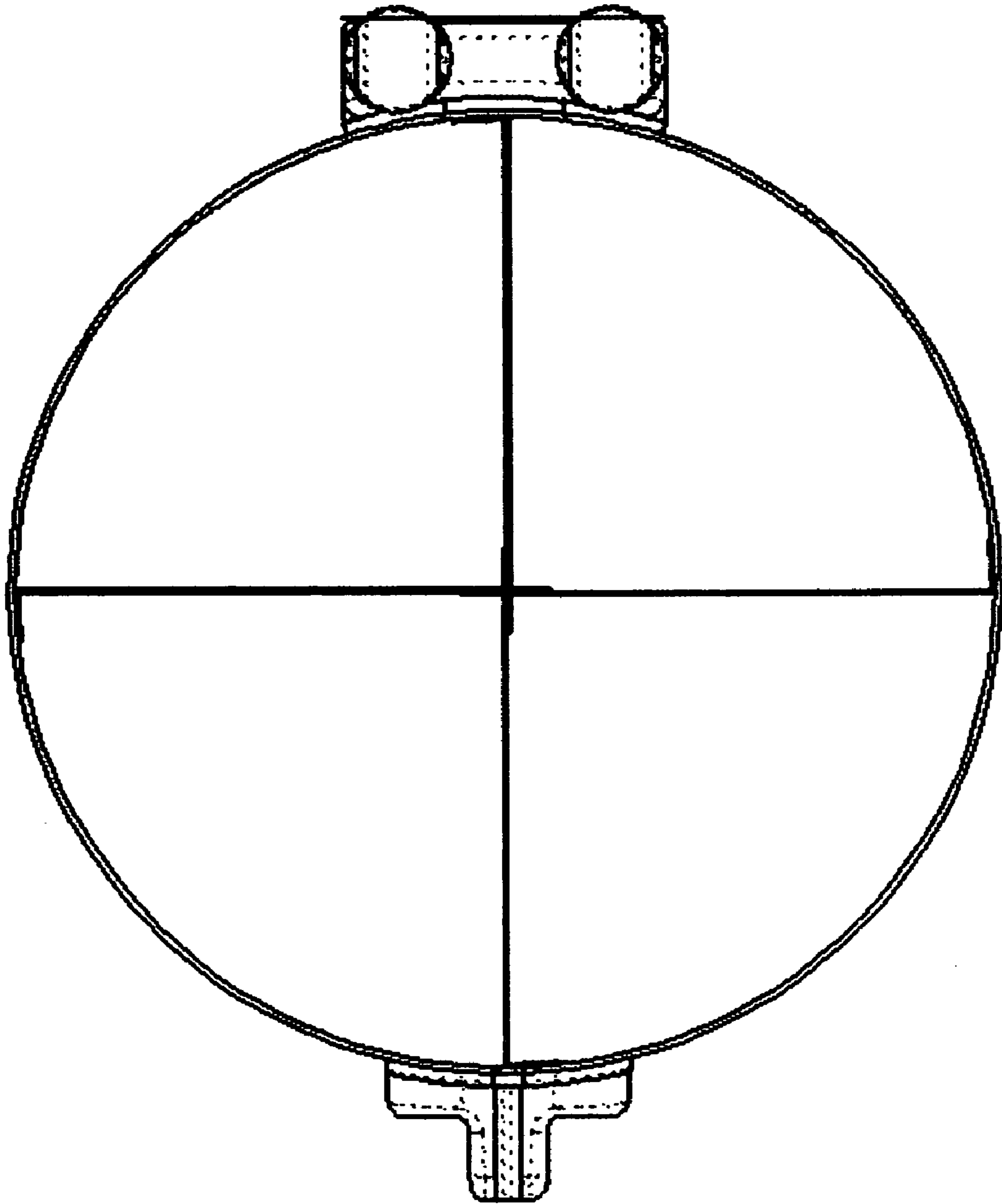


FIG. 2

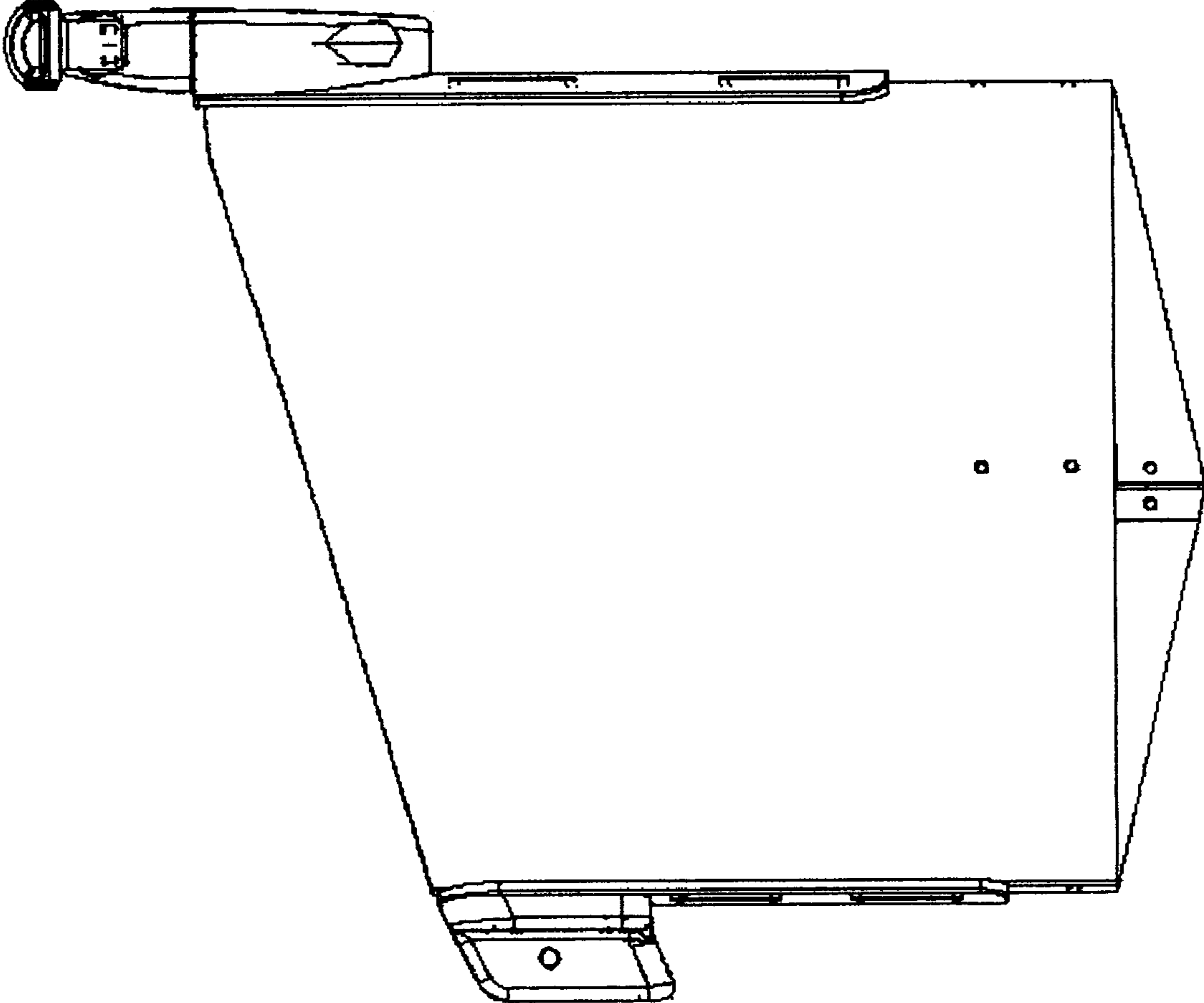


FIG. 3

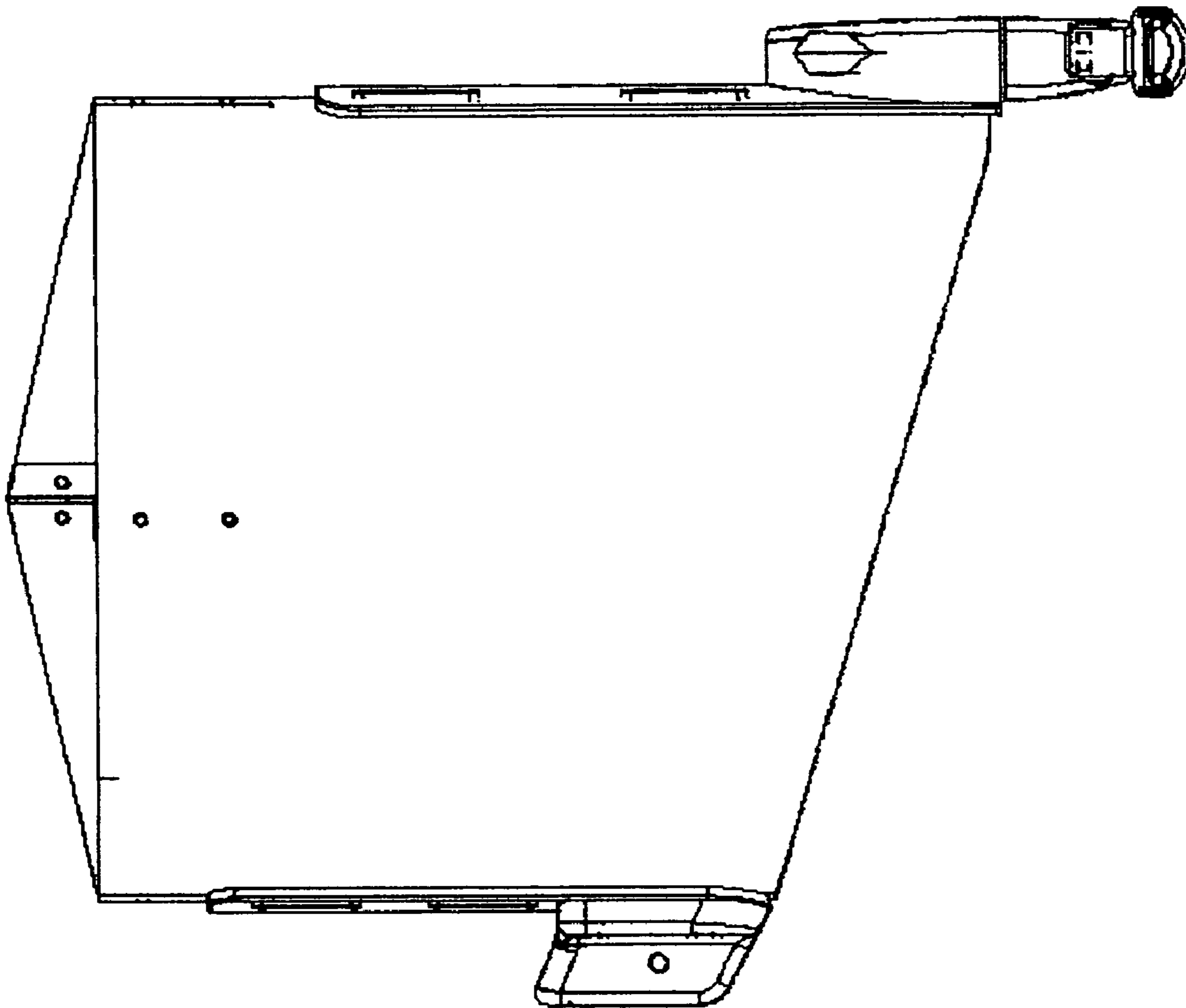
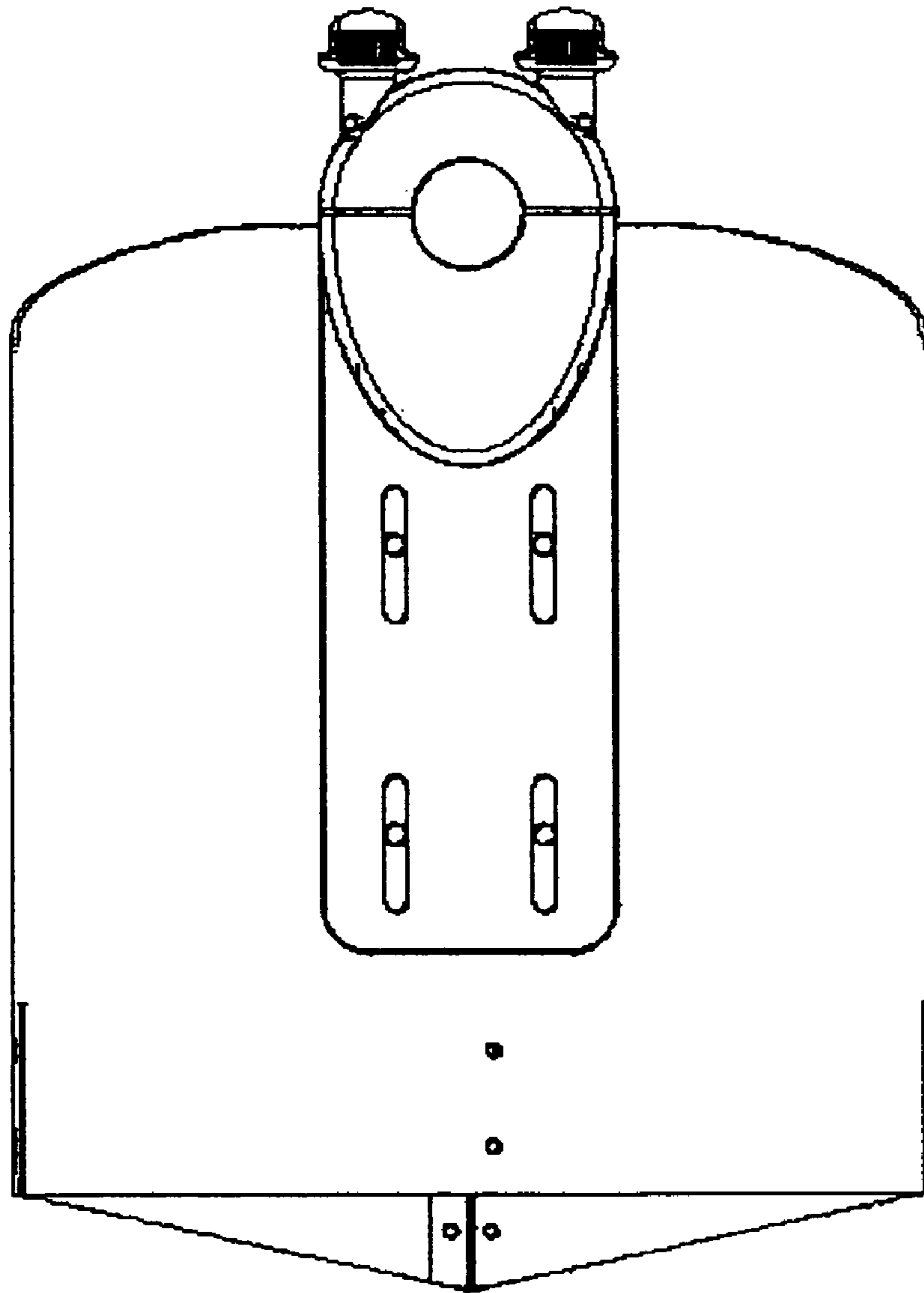


FIG. 4



**FIG. 5**

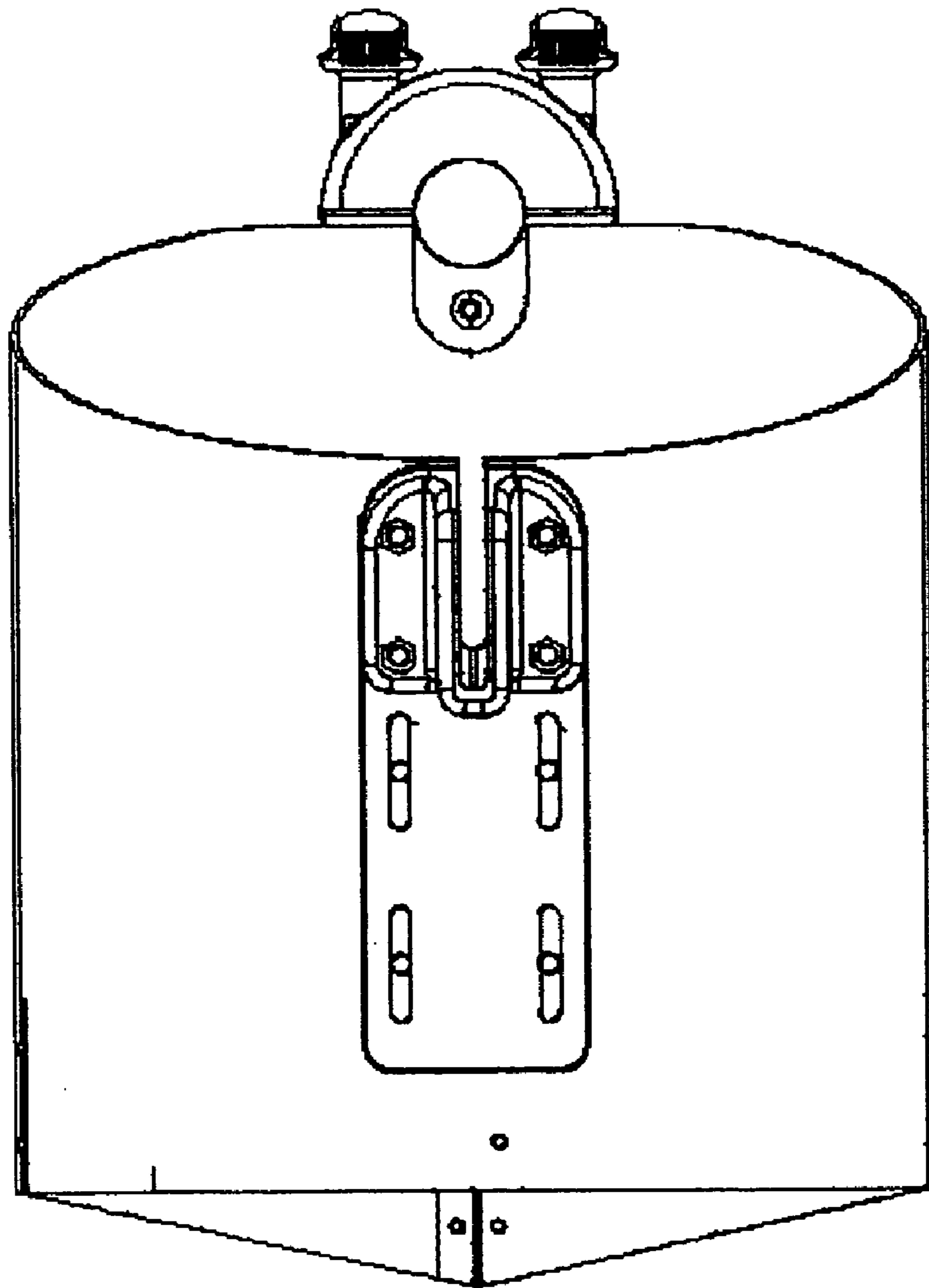


FIG. 6