



US00D579399S

(12) **United States Design Patent**
Schweizer

(10) **Patent No.:** **US D579,399 S**

(45) **Date of Patent:** **** Oct. 28, 2008**

(54) **WHEEL OR WHEEL COVER**

(75) Inventor: **Oliver Schweizer**, Stuttgart (DE)

(73) Assignee: **Daimler AG**, Stuttgart (DE)

(**) Term: **14 Years**

(21) Appl. No.: **29/309,263**

(22) Filed: **Jul. 16, 2008**

(30) **Foreign Application Priority Data**

Jan. 21, 2008 (EM) 000860820-0003

(51) **LOC (8) Cl.** **12-16**

(52) **U.S. Cl.** **D12/211**

(58) **Field of Classification Search** D12/204-213;
301/37.101, 64.101, 64.201

See application file for complete search history.

(56) **References Cited**

U.S. PATENT DOCUMENTS

- D503,918 S * 4/2005 Fahr-Becker D12/211
- D528,060 S * 9/2006 Laengerer D12/209
- D528,960 S * 9/2006 Kim D12/211

- D535,934 S * 1/2007 Scheu D12/211
- D546,266 S * 7/2007 Young D12/211
- D550,140 S * 9/2007 Laengerer D12/211
- D559,758 S * 1/2008 Zane D12/211
- D560,152 S * 1/2008 Nordmann D12/211
- D570,274 S * 6/2008 Scheu D12/211
- D572,185 S * 7/2008 Pollmann D12/211
- D572,650 S * 7/2008 Scheu D12/211
- D574,310 S * 8/2008 Huet D12/209

* cited by examiner

Primary Examiner—Stacia Cadmus

(74) *Attorney, Agent, or Firm*—Crowell & Moring LLP

(57) **CLAIM**

The ornamental design for a wheel or wheel cover, as shown and described.

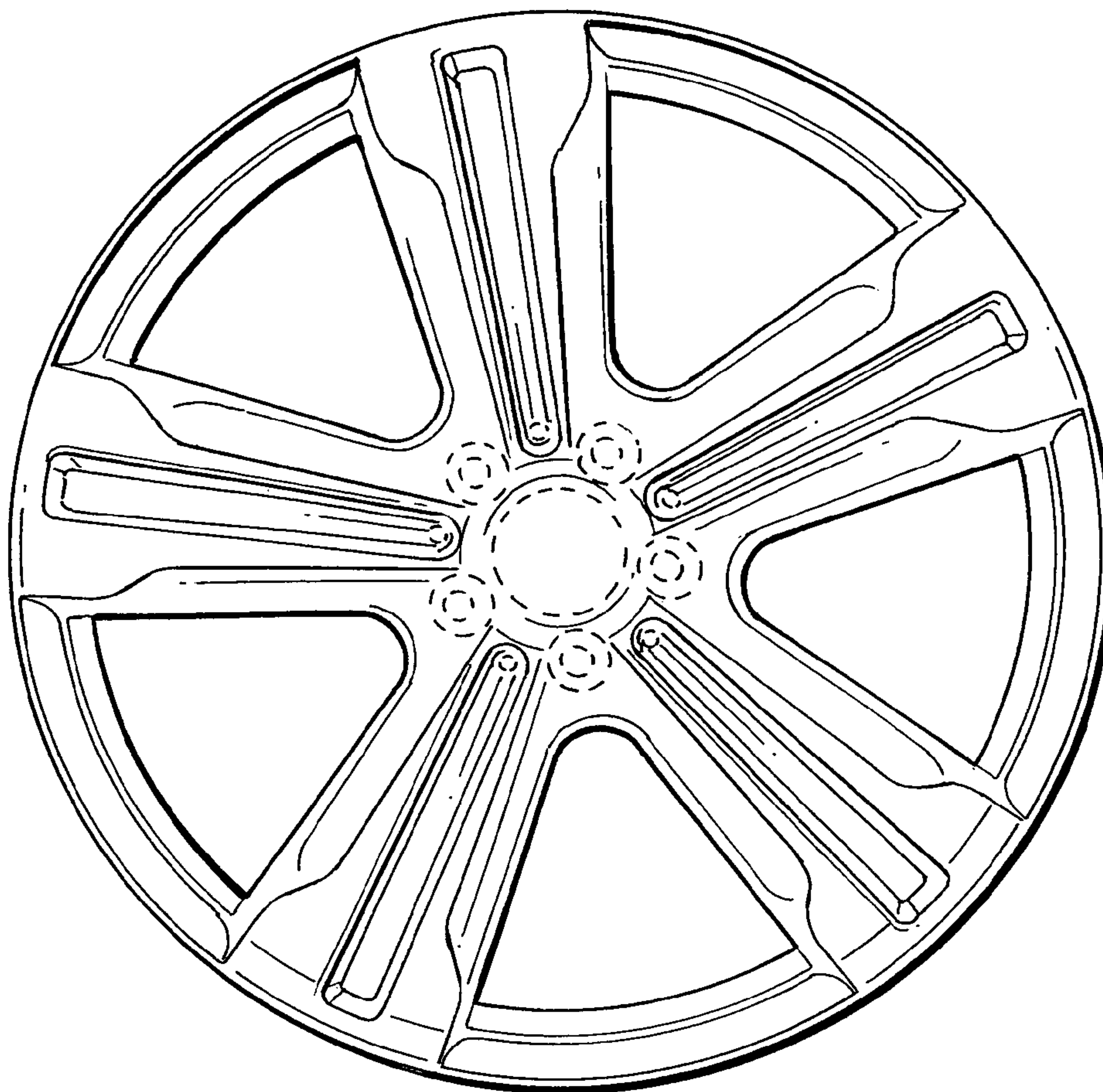
DESCRIPTION

FIG. 1 is a front view of a wheel or wheel cover according to my novel design; and,

FIG. 2 is a perspective view thereof.

The broken lines are for illustrative purposes only and form no part of the claimed design.

1 Claim, 1 Drawing Sheet



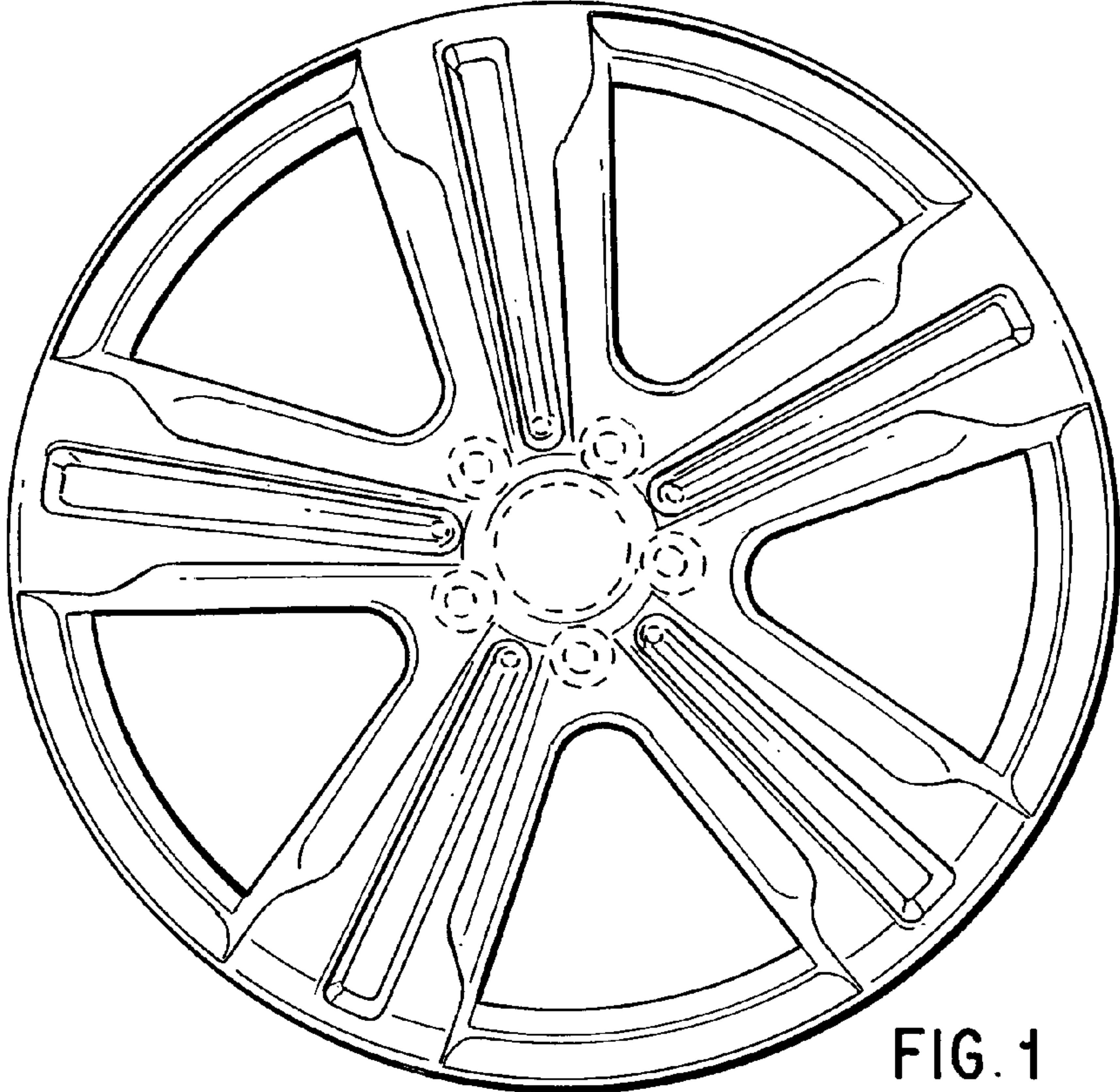


FIG. 1

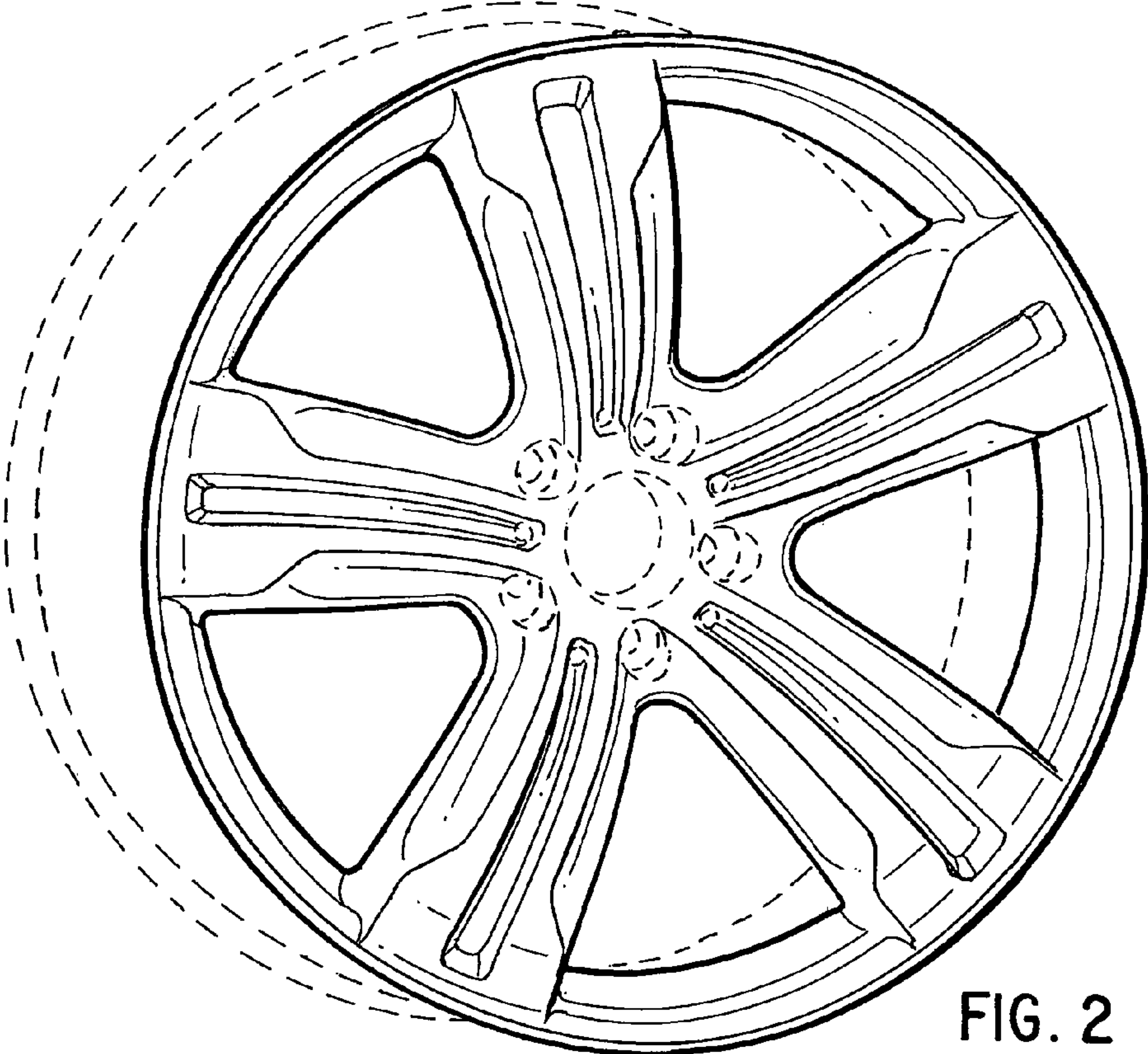


FIG. 2