

US00D579391S

(12) **United States Design Patent**
Lin

(10) **Patent No.:** **US D579,391 S**
(45) **Date of Patent:** **** Oct. 28, 2008**

(54) **LICENSE PLATE FRAME**

(76) Inventor: **Benny Lin**, Building B, No. 30, Lane 9,
Sec. 2, Jhongsing Rd., Wugu Hsiang,
Taipei Hsien (TW)

(**) Term: **14 Years**

(21) Appl. No.: **29/307,148**

(22) Filed: **Apr. 3, 2008**

(51) **LOC (8) Cl.** **12-16**

(52) **U.S. Cl.** **D12/193**

(58) **Field of Classification Search** D12/193;
D6/300-303, 310-314; 40/200-204, 207-214;
362/497, 473, 327, 604

See application file for complete search history.

(56) **References Cited**

U.S. PATENT DOCUMENTS

D280,400 S *	9/1985	Luthe et al.	D12/193
D284,848 S *	7/1986	Preisler et al.	D12/193
D318,838 S *	8/1991	Troncoso	D12/193
D370,450 S *	6/1996	Doan	D12/193
D377,161 S *	1/1997	Shuen	D12/193
D435,819 S *	1/2001	Spencer	D12/193
D567,163 S *	4/2008	Hu	D12/193

* cited by examiner

Primary Examiner—Stacia Cadmus

(74) *Attorney, Agent, or Firm*—William E. Pelton, Esq.;
Cooper & Dunham LLP

(57) **CLAIM**

The ornamental design for a licence plate frame, as shown and described.

DESCRIPTION

FIG. 1 is a perspective view of a licence plate frame showing my new design;

FIG. 2 is a front view thereof;

FIG. 3 is a rear view thereof;

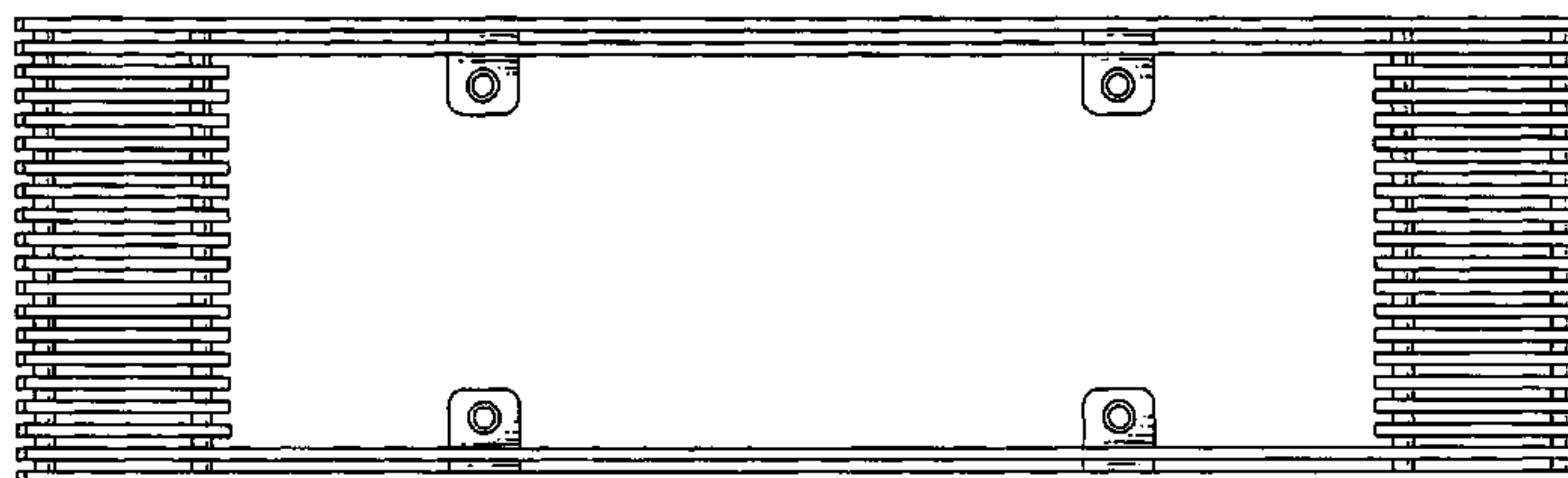
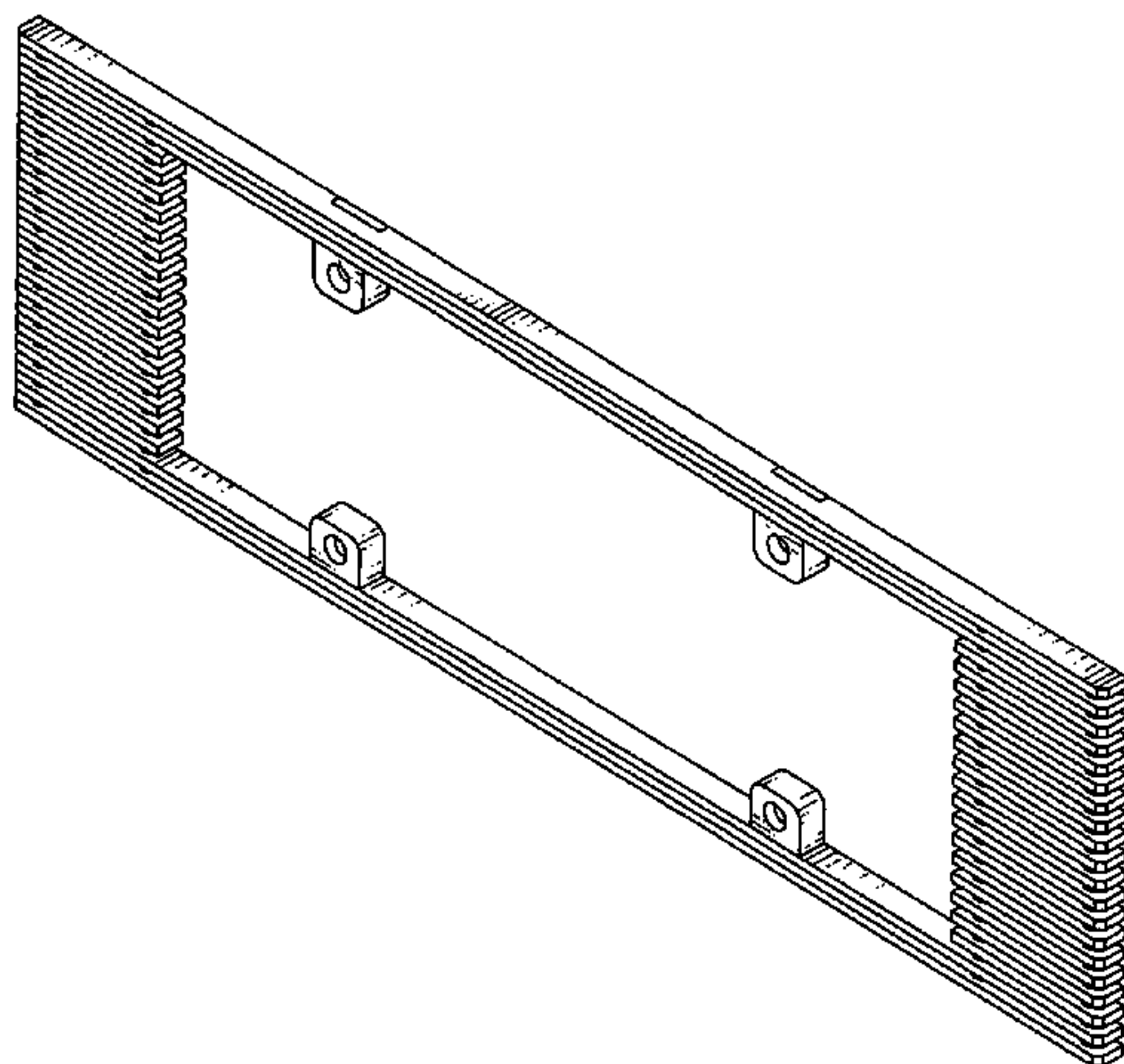
FIG. 4 is a top view thereof, wherein a bottom view thereof is a mirror image of the top view;

FIG. 5 is a right side view thereof wherein a left side view thereof is a mirror image of the right side view; and,

FIG. 6 is an operational perspective view thereof with a number plate mounted in the licence plate frame.

The broken lines are for reference only and form no part of the claimed invention.

1 Claim, 5 Drawing Sheets



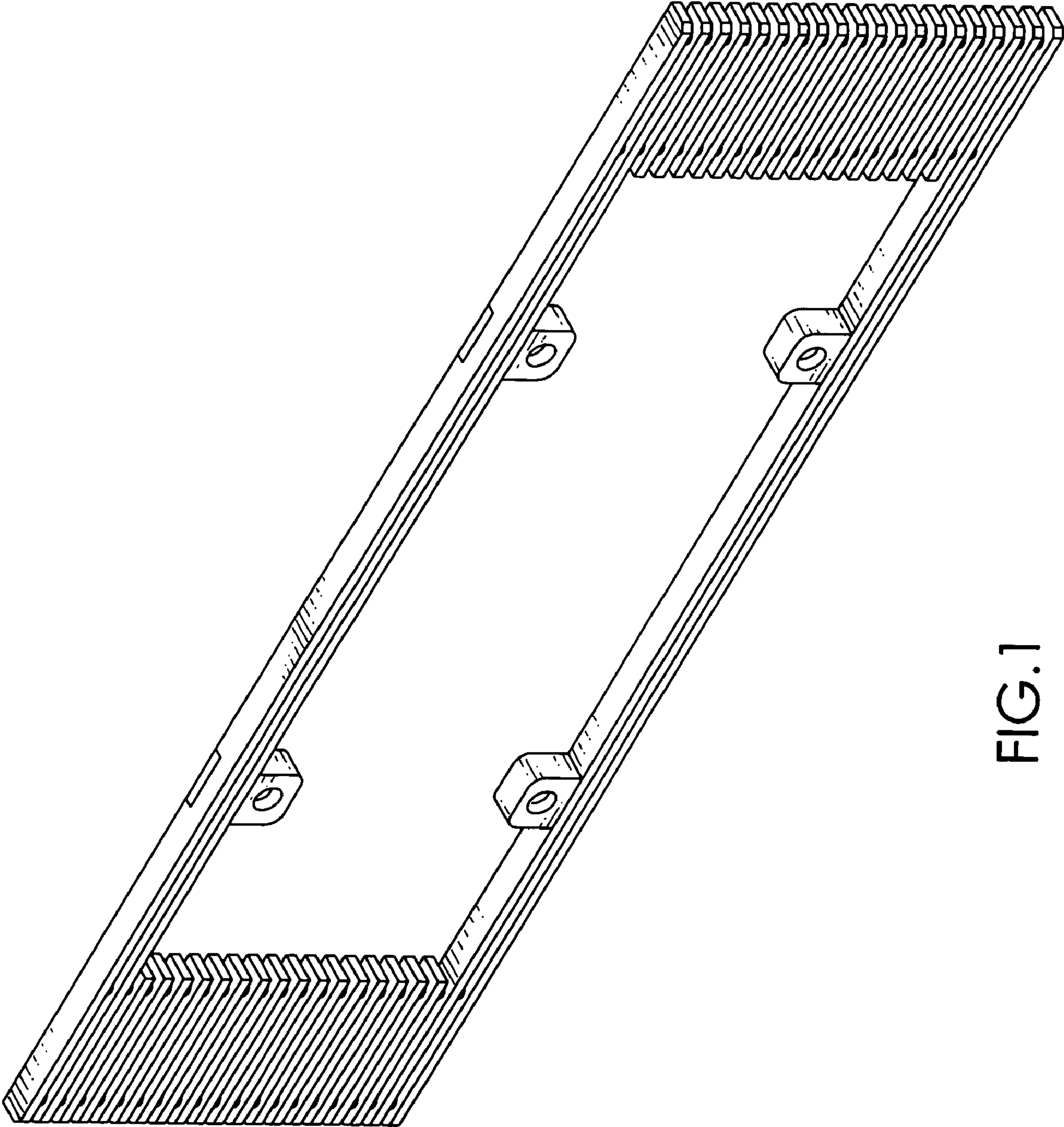


FIG.1

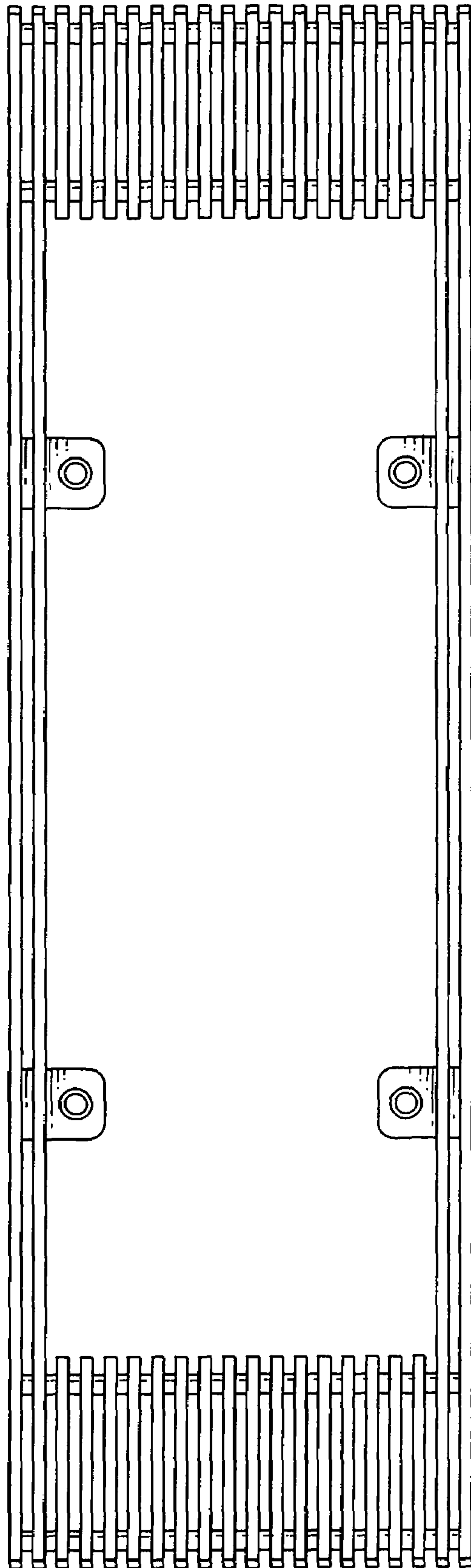


FIG.2

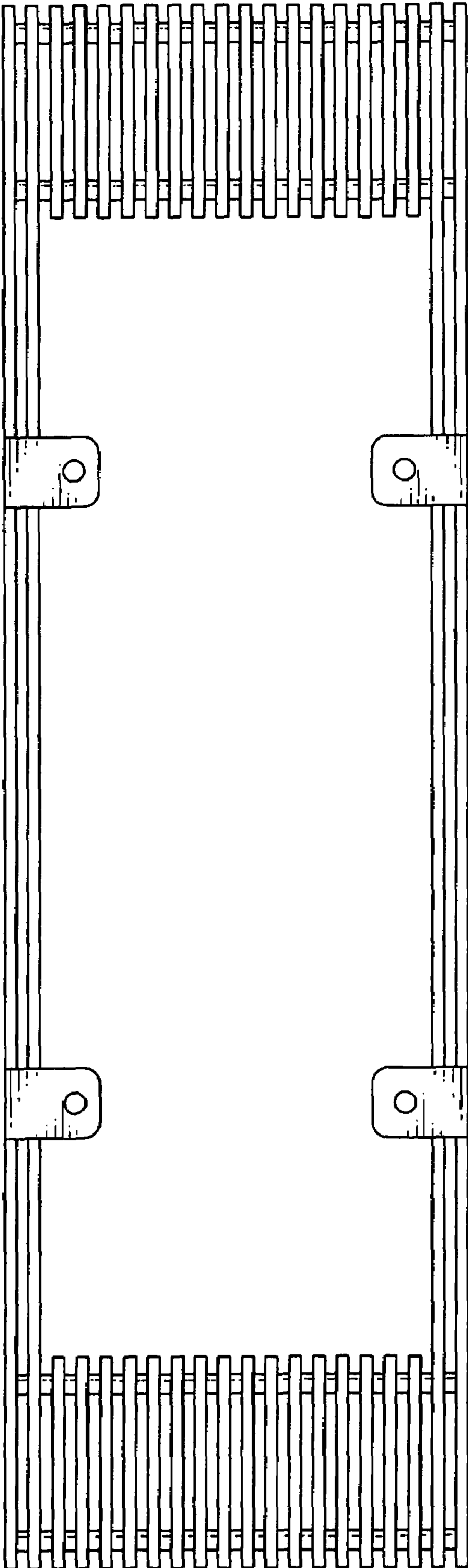


FIG.3

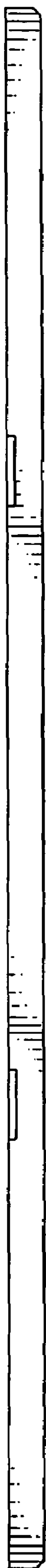


FIG. 4



FIG. 5

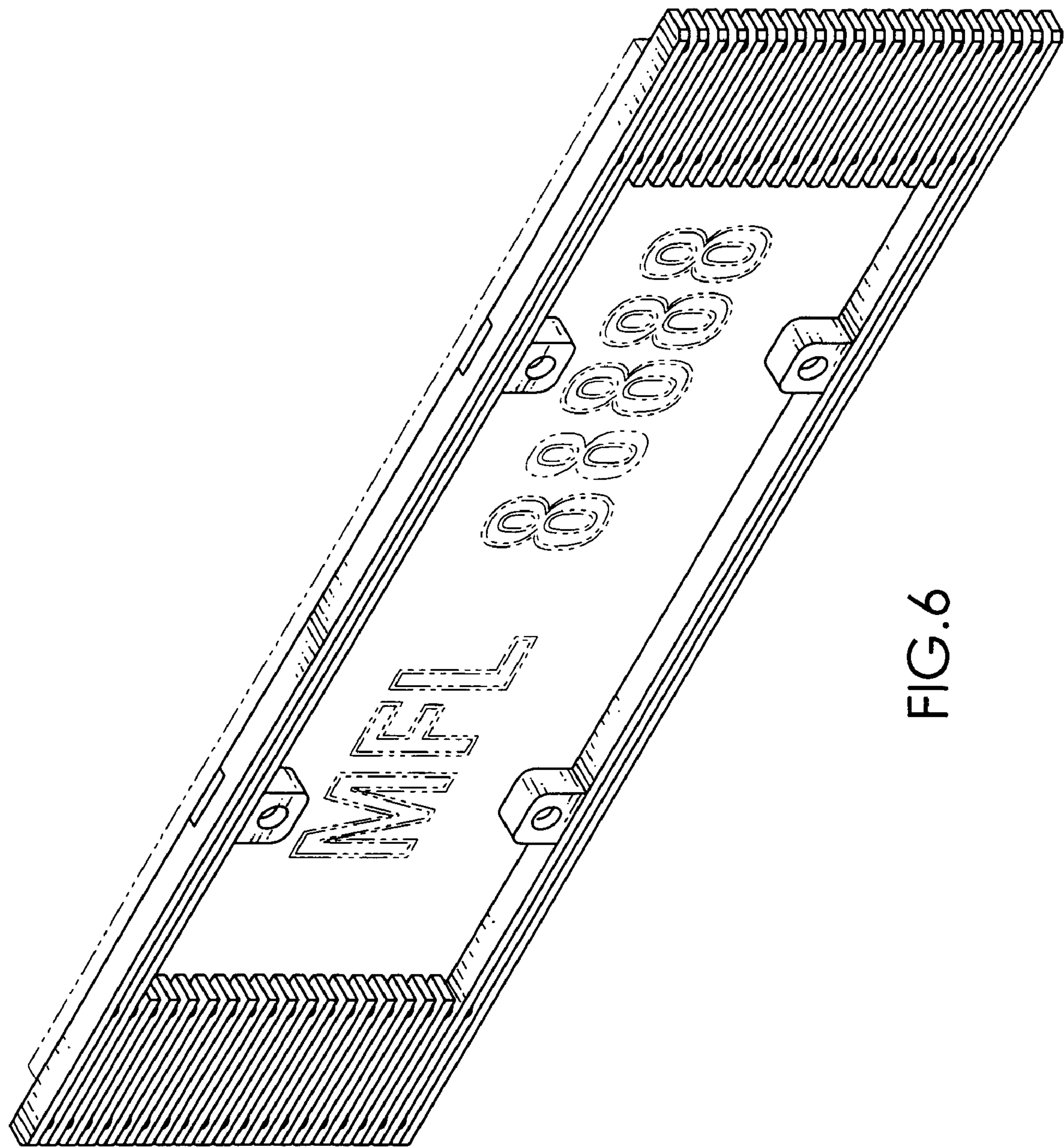


FIG.6