



US00D579389S

(12) **United States Design Patent**
Miyazaki

(10) **Patent No.:** **US D579,389 S**

(45) **Date of Patent:** **** Oct. 28, 2008**

(54) **FRONT BUMPER FOR AN AUTOMOBILE**

D537,389 S * 2/2007 Beigel et al. D12/169
D561,073 S * 2/2008 Okamoto et al. D12/169
D566,633 S * 4/2008 Kanno et al. D12/169

(75) Inventor: **Mitsunori Miyazaki**, Toyota (JP)

(73) Assignee: **Toyota Jidosha Kabushiki Kaisha** (JP)

* cited by examiner

(**) Term: **14 Years**

Primary Examiner—Melody N Brown
(74) *Attorney, Agent, or Firm*—SAIDMAN DesignLaw Group

(21) Appl. No.: **29/295,105**

(22) Filed: **Sep. 21, 2007**

(57) **CLAIM**

(51) **LOC (8) Cl.** **12-16**

The ornamental design for a front bumper for an automobile, as shown and described.

(52) **U.S. Cl.** **D12/169**

(58) **Field of Classification Search** D12/169,
D12/196, 171, 163, 216, 90-92, 86; 293/102,
293/113, 115, 117, 120; 296/180.1, 180,
296/2

DESCRIPTION

See application file for complete search history.

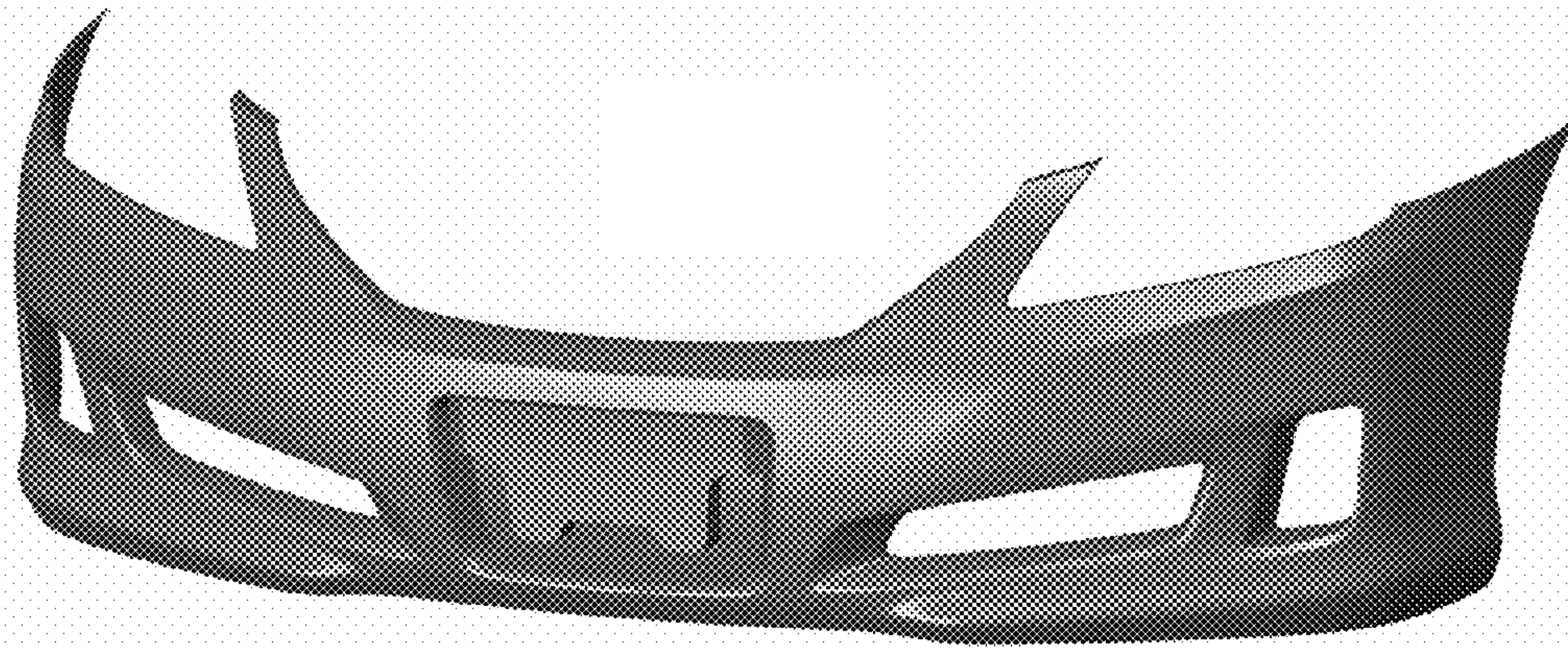
FIG. 1 is a perspective view of a front bumper for an automobile showing my new design;
FIG. 2 is a front view thereof;
FIG. 3 is a top view thereof;
FIG. 4 is a left-side view thereof; and,
FIG. 5 is a right-side view thereof.

(56) **References Cited**

U.S. PATENT DOCUMENTS

D521,912 S * 5/2006 Beigel et al. D12/169
D522,417 S * 6/2006 Akamine et al. D12/169
D525,180 S * 7/2006 Konaka D12/169

1 Claim, 1 Drawing Sheet



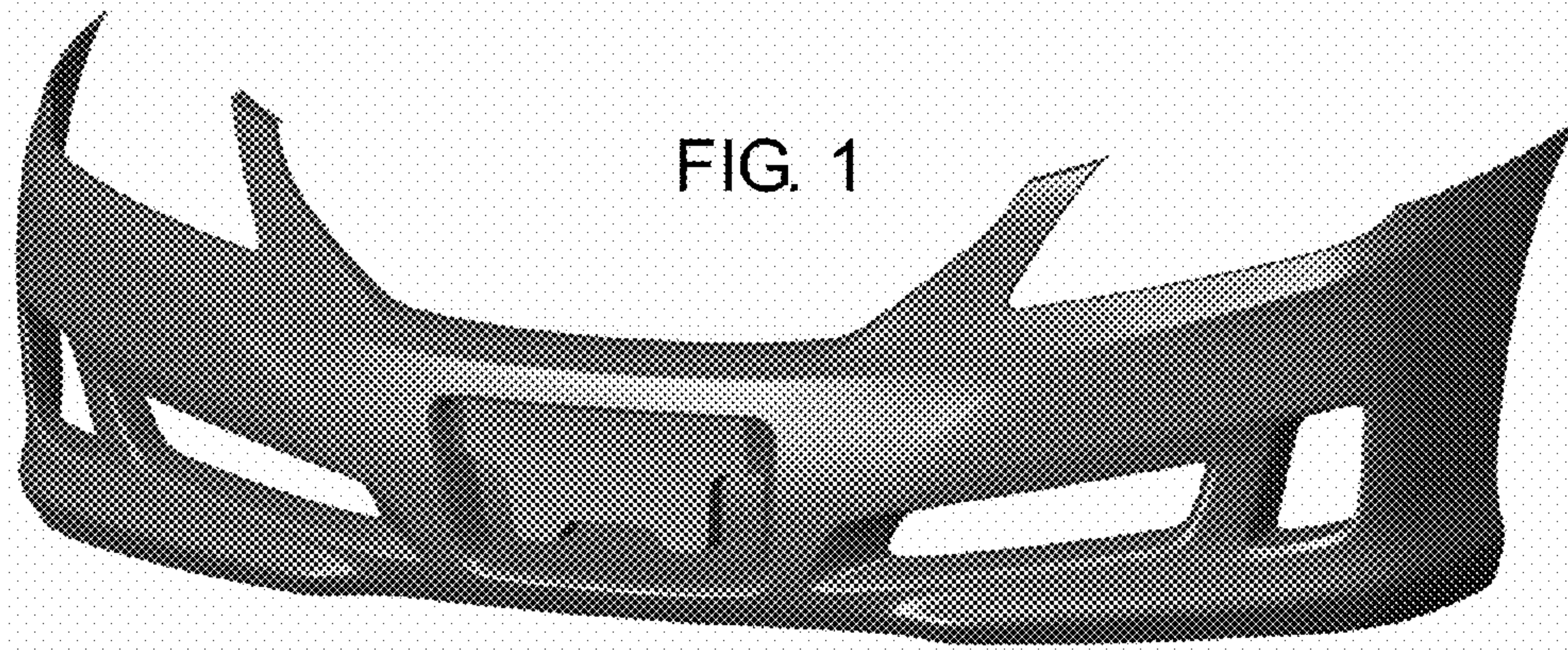


FIG. 1

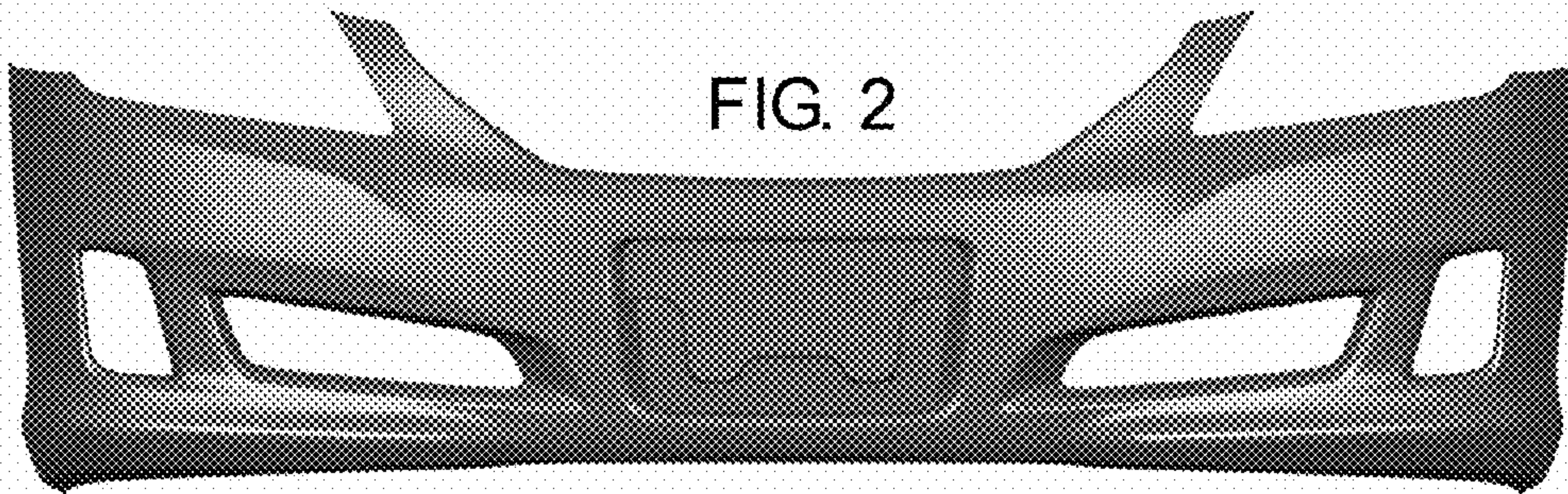


FIG. 2

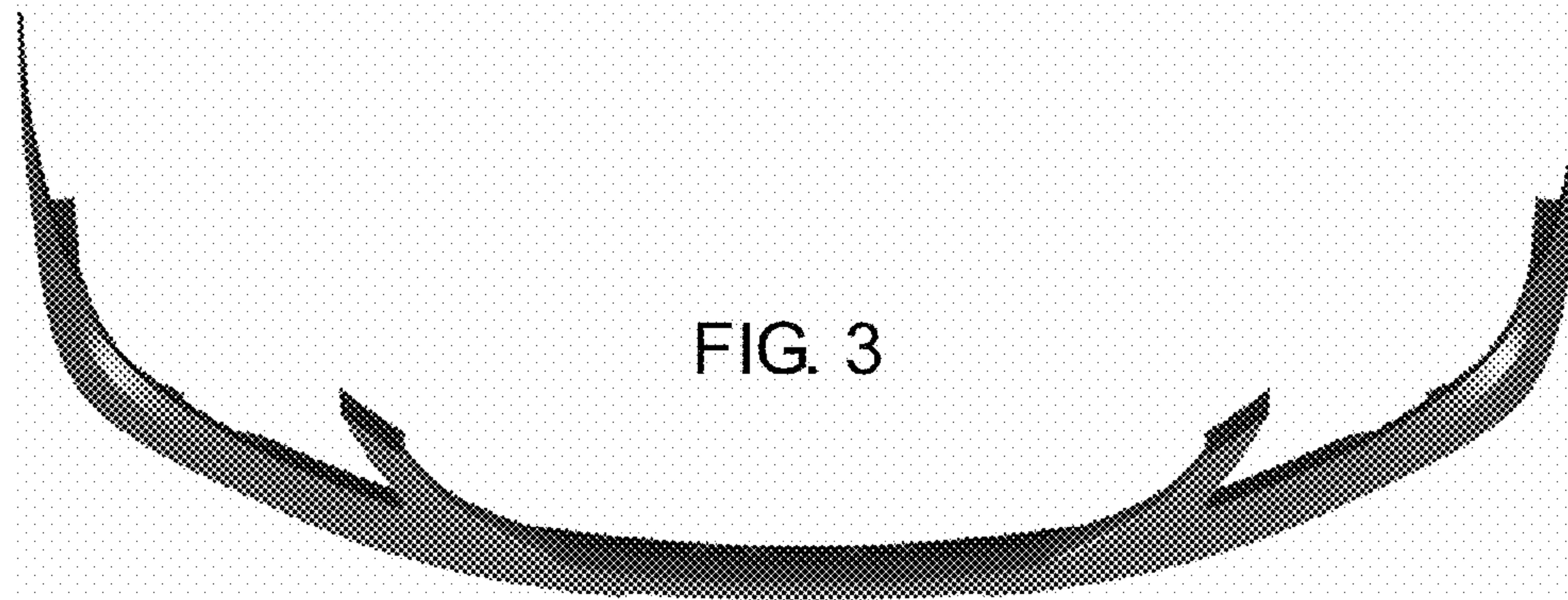


FIG. 3

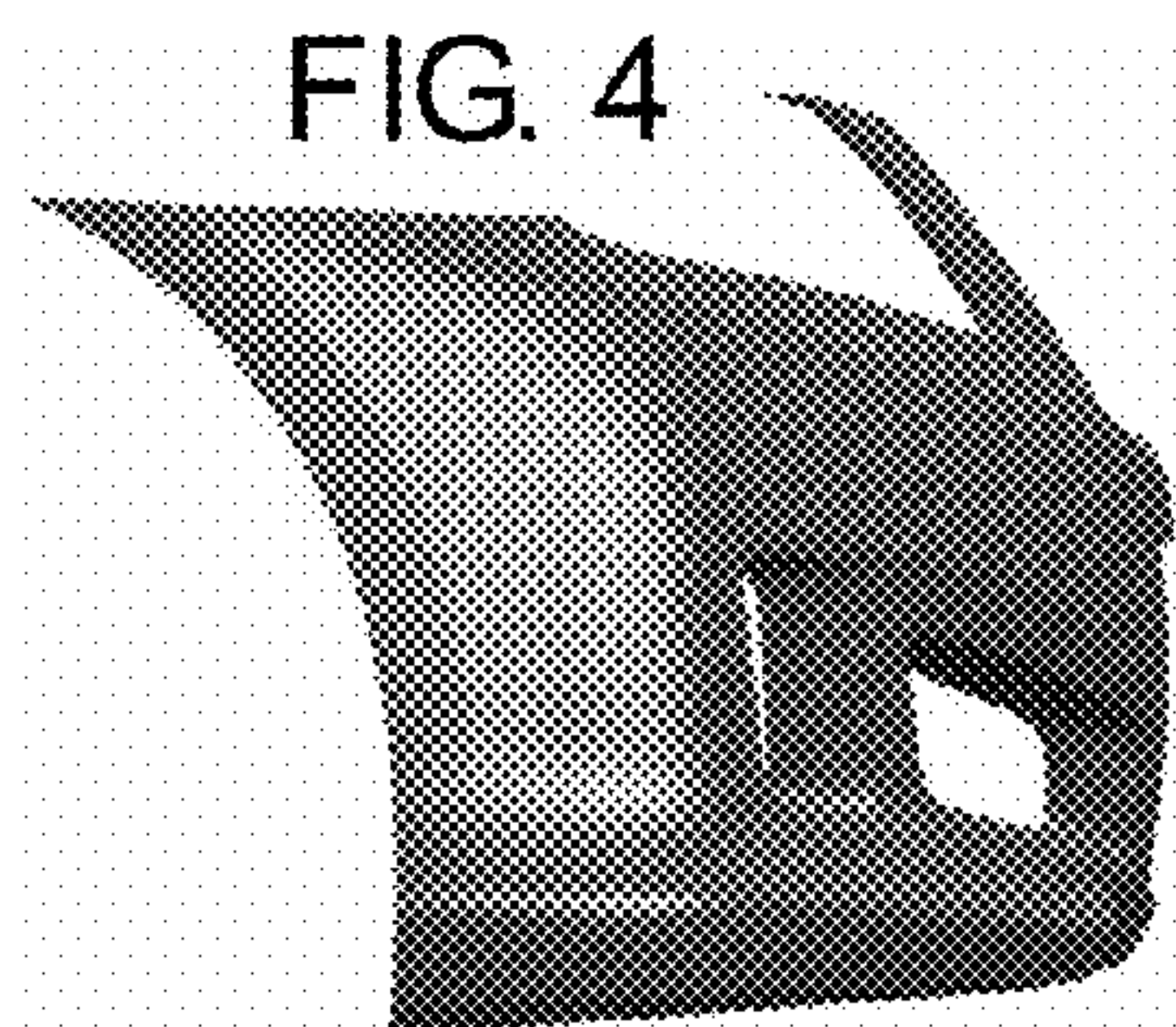


FIG. 4

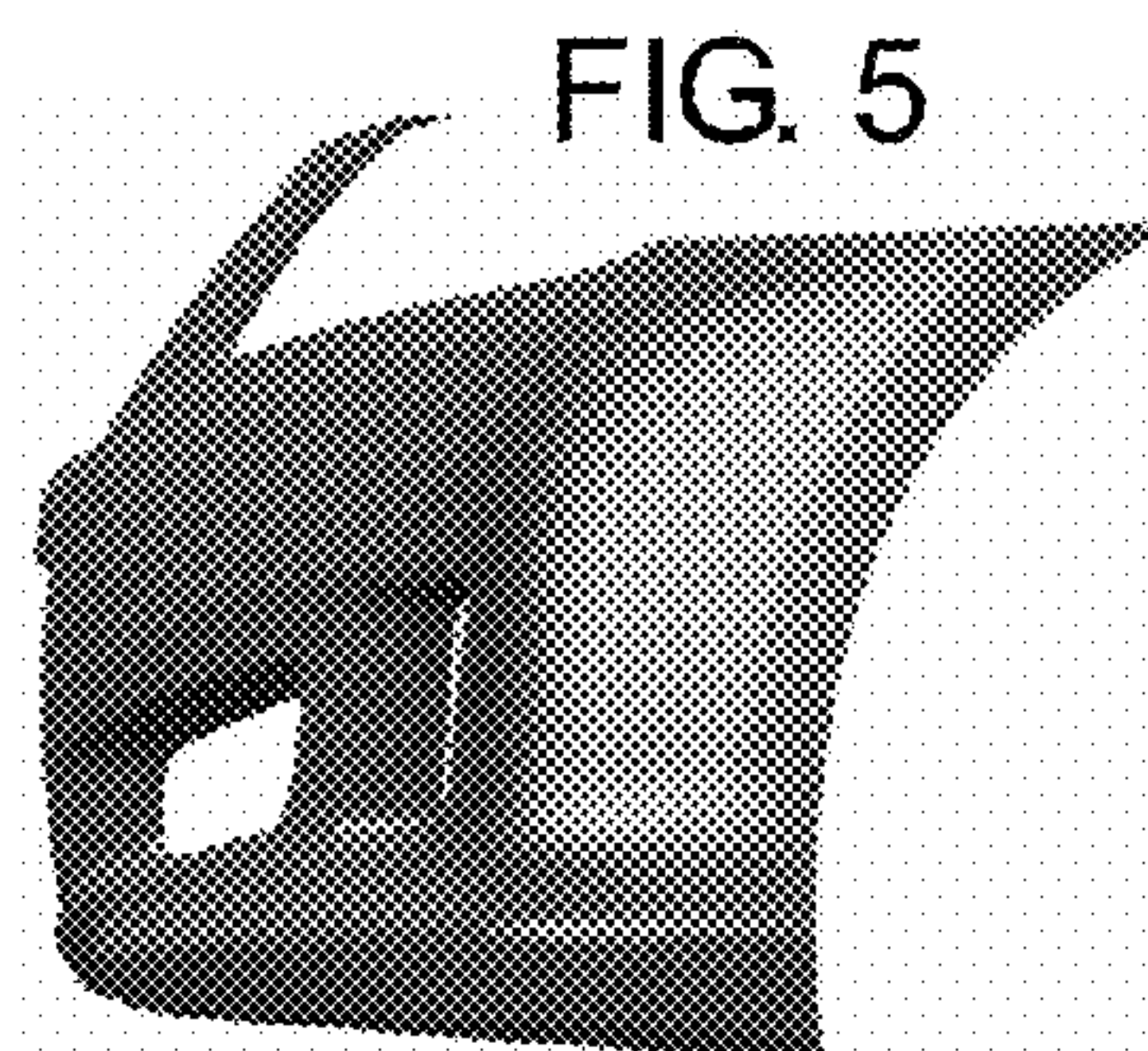


FIG. 5