



US00D579386S

(12) **United States Design Patent**
Saridakis et al.

(10) **Patent No.:** **US D579,386 S**
(45) **Date of Patent:** **** Oct. 28, 2008**

(54) **VEHICLE FRONT BUMPER COVER**

(75) Inventors: **George Saridakis**, Ann Arbor, MI (US);
Douglas Gaffka, Northville, MI (US);
William Mangan, Ann Arbor, MI (US)

(73) Assignee: **Ford Motor Company**, Dearborn, MI (US)

(**) Term: **14 Years**

(21) Appl. No.: **29/279,098**

(22) Filed: **Apr. 19, 2007**

(51) **LOC (8) Cl.** **12-16**

(52) **U.S. Cl.** **D12/169**

(58) **Field of Classification Search** D12/90-92,
D12/169, 196; 180/68.1, 68.6; 296/193.11;
293/102, 113, 115

See application file for complete search history.

(56) **References Cited**

U.S. PATENT DOCUMENTS

D498,444 S	11/2004	Mays	
D501,162 S	1/2005	Mays	
D533,817 S	12/2006	Gaffka	
D535,922 S *	1/2007	Kulla	D12/169
D541,713 S *	5/2007	Mahoney et al.	D12/169
D548,145 S *	8/2007	Lamarre	D12/169
D550,129 S *	9/2007	Koizumi et al.	D12/169
D550,594 S *	9/2007	Pfeiffer	D12/169

OTHER PUBLICATIONS

- Ford, Mustang GT Convertible, Detroit 2005.
- Ford, Concept Stang, Los Angeles 2006.
- Ford, Mustang Shelby GT500, Detroit 2007, date prior to filing date.
- Ford, Mustang, Autoweek, Dec. 18, 2006.

* cited by examiner

Primary Examiner—Melody N. Brown
(74) *Attorney, Agent, or Firm*—Damian Porcari

(57) **CLAIM**

The ornamental design of a vehicle front bumper cover, as shown and described.

DESCRIPTION

FIG. 1 is an elevational view of a vehicle front bumper cover (as viewed from the front of the vehicle);

FIG. 2 is a right side elevational view of the vehicle front bumper cover, enlarged to show detail;

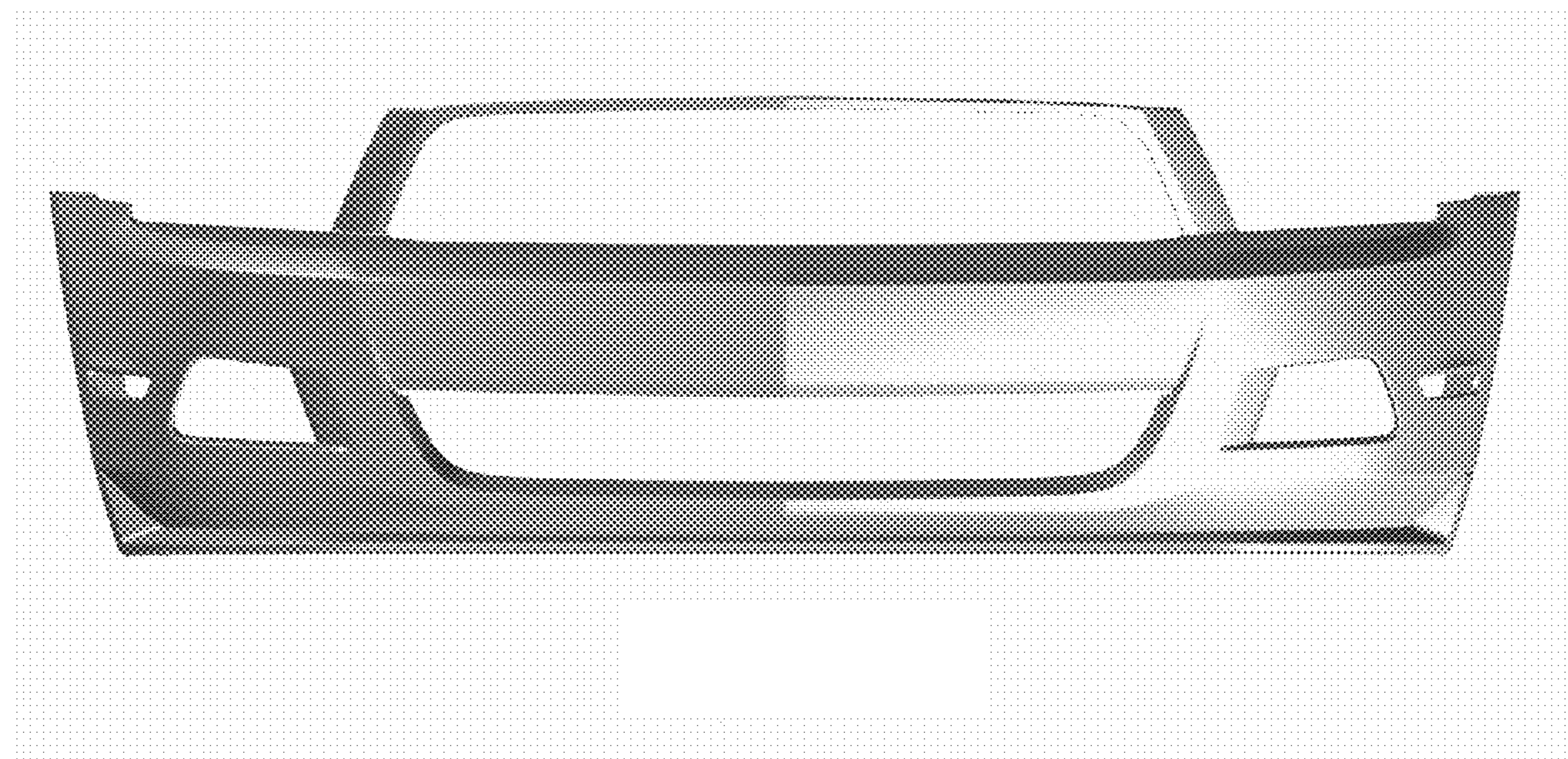
FIG. 3 is a left side elevational view of the vehicle front bumper cover, enlarged to show detail;

FIG. 4 is a top plan view of the vehicle front bumper cover; FIG. 5 is bottom plan view of the vehicle front bumper cover; and,

FIG. 6 is an elevational view of the vehicle front bumper cover (as viewed from the rear of the vehicle).

The vehicle front bumper cover is styled independently of adjacent vehicle panels. To the extent that any feature lines are illustrated, they are intended to illustrate the crest and valley of the feature and are not necessarily sharp bends in the part. Shading is used to illustrate the curvature of the part and not color. Areas shown in or sounded by broken lines are not claimed. The surface normally visible when the vehicle front bumper cover is attached to a vehicle is called the "Class A" surface and is claimed. The surface not normally visible when the vehicle front bumper cover is attached to a vehicle is called the "Class B" surface and is not claimed. Some views illustrate both Class A and Class B surfaces. Any functional features of the vehicle front bumper cover are not claimed. Views are orthogonal projections unless otherwise noted. The various views are not necessarily to scale in order to better illustrate the design.

1 Claim, 6 Drawing Sheets



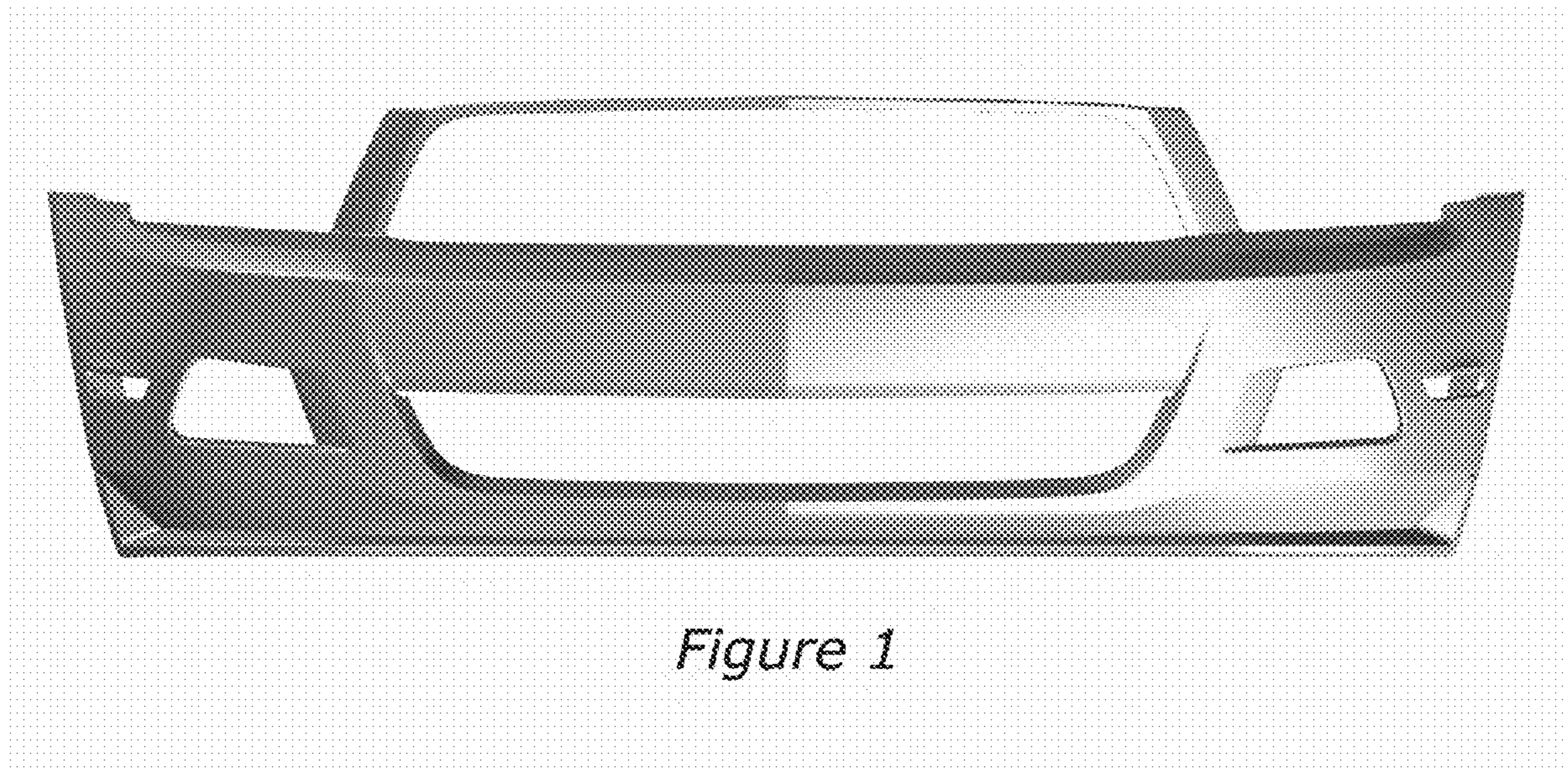
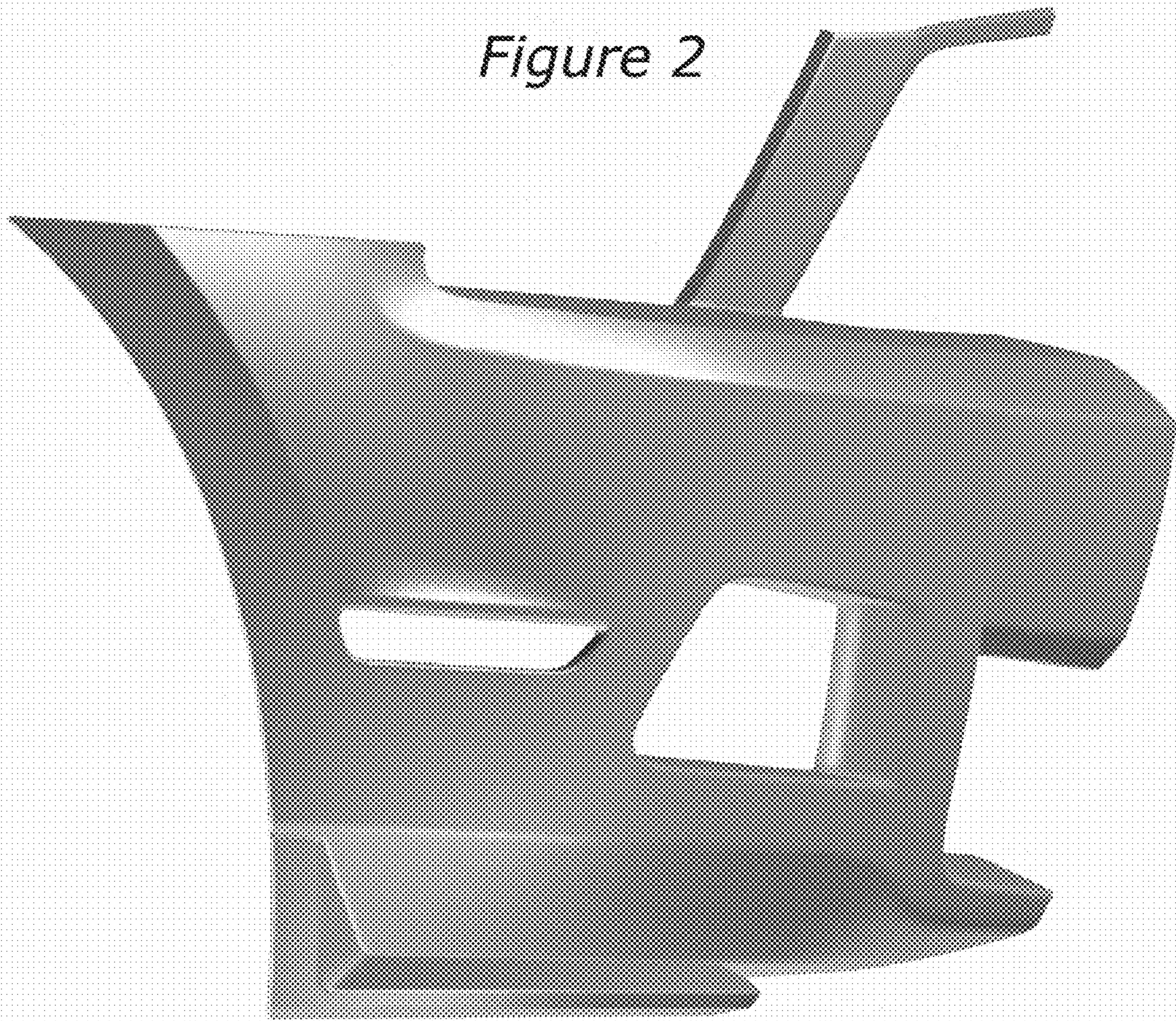
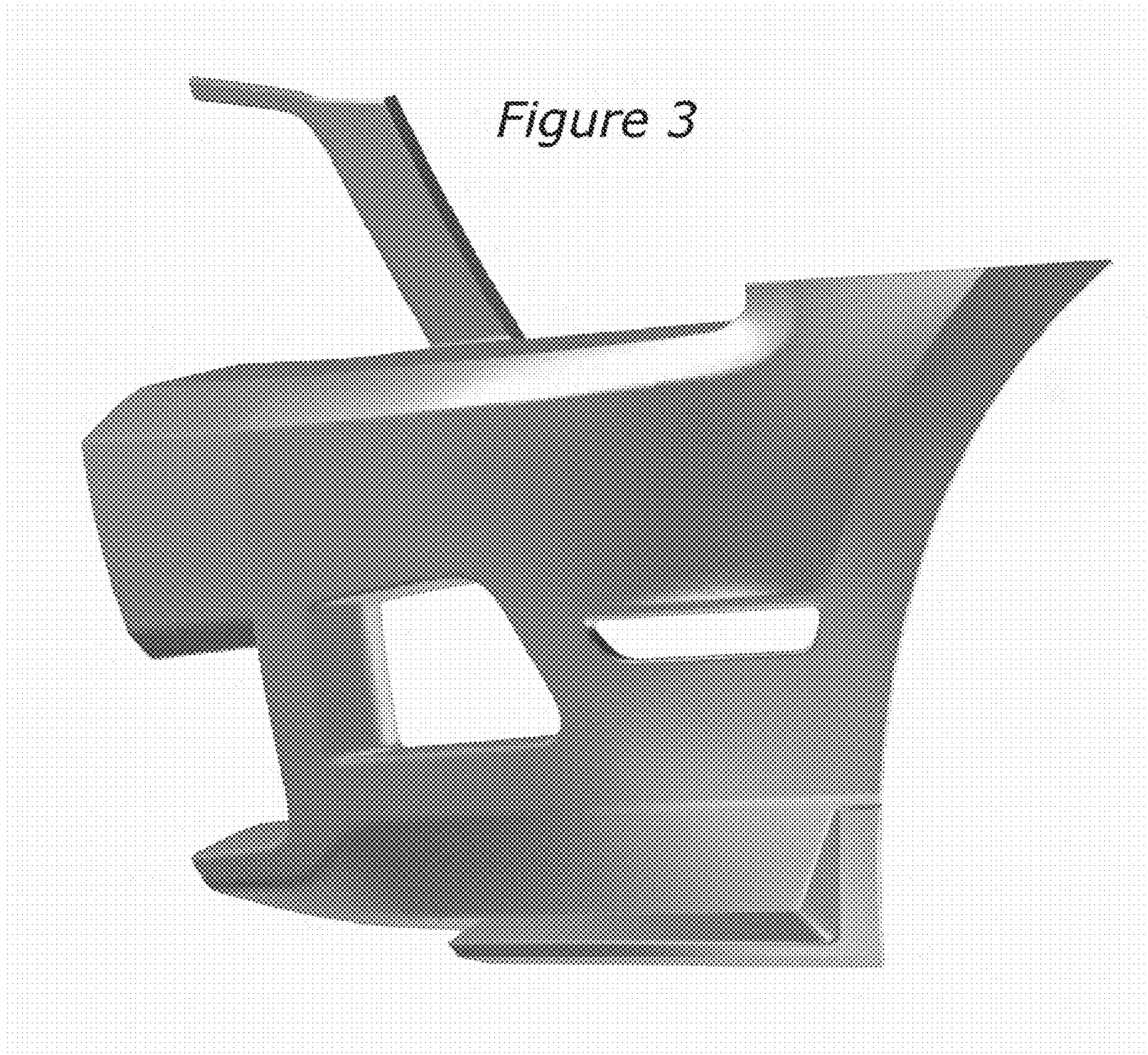


Figure 1

Figure 2





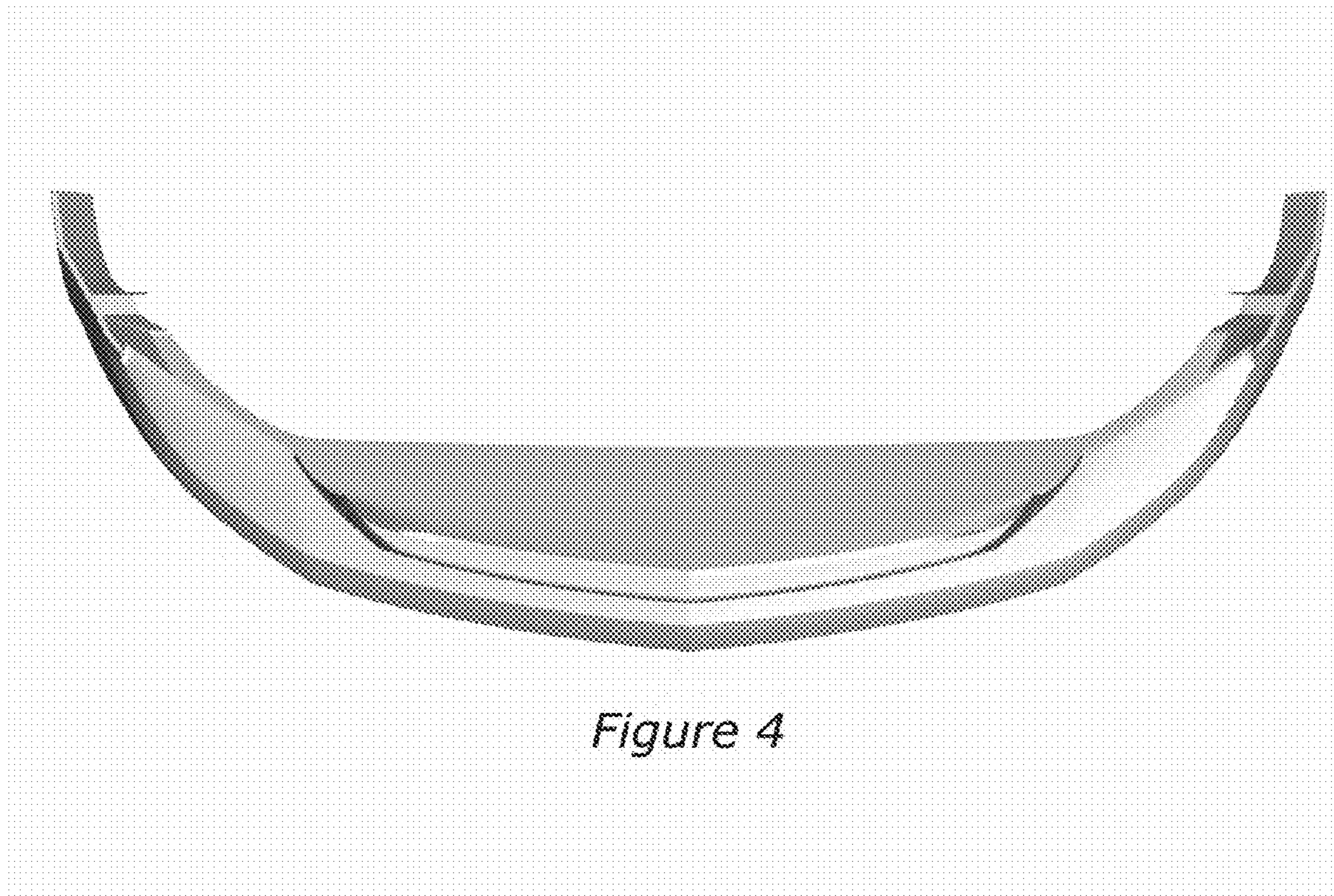


Figure 4

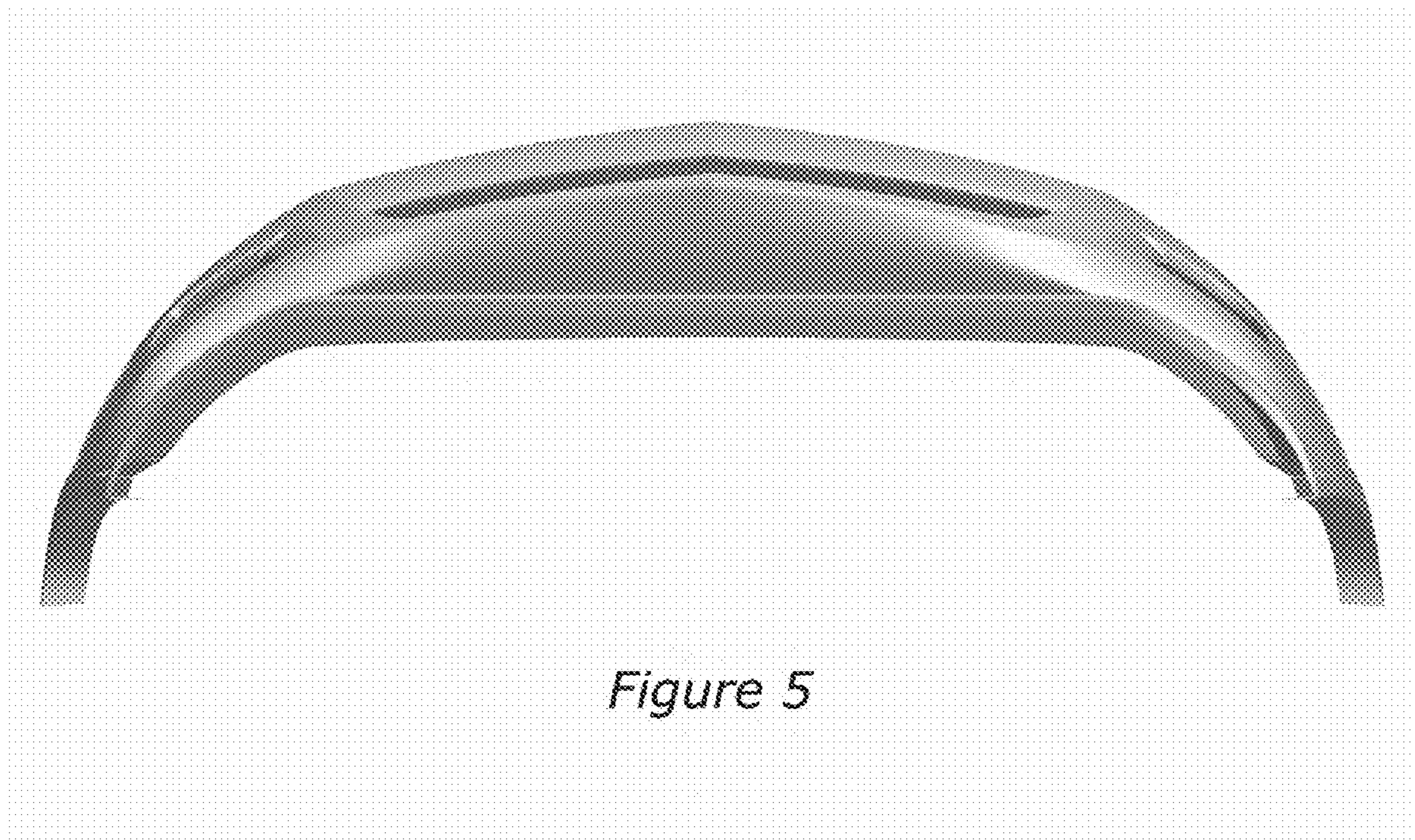


Figure 5

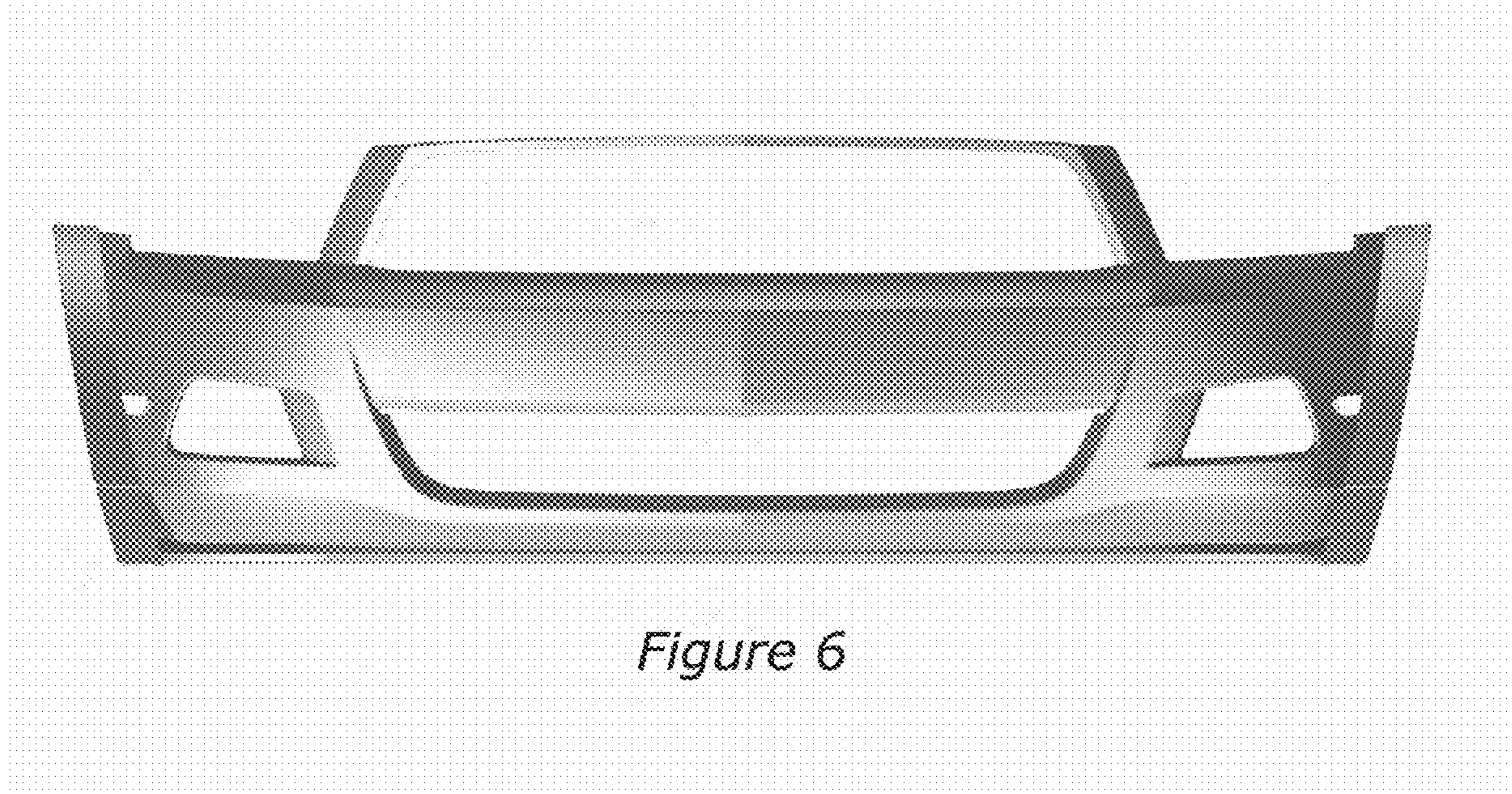


Figure 6