



US00D579382S

(12) **United States Design Patent**  
**Arnone et al.**

(10) **Patent No.:** **US D579,382 S**  
(45) **Date of Patent:** **\*\* Oct. 28, 2008**

(54) **VEHICLE BODY**

D521,901 S \* 5/2006 Dean ..... D12/91  
D553,053 S \* 10/2007 McChesney et al. .... D12/98

(75) Inventors: **Paul C Arnone**, Royal Oak, MI (US);  
**Steve S Kim**, Shelby Township, MI (US)

(73) Assignee: **GM Global Technology Operations, Inc.**, Detroit, MI (US)

(\*\*) Term: **14 Years**

(21) Appl. No.: **29/297,071**

(22) Filed: **Nov. 2, 2007**

(51) **LOC (8) Cl.** ..... **12-08**

(52) **U.S. Cl.** ..... **D12/98**

(58) **Field of Classification Search** ..... D12/86,  
D12/90-92, 98; 296/183.1

See application file for complete search history.

(56) **References Cited**

**U.S. PATENT DOCUMENTS**

D508,440 S \* 8/2005 Hall et al. .... D12/98  
D509,772 S \* 9/2005 Hattori et al. .... D12/98  
D516,957 S \* 3/2006 O'Connell et al. .... D12/91

**OTHER PUBLICATIONS**

2007 Hummer H2 Product Catalog, published by General Motors Corp., published Aug. 2006.  
2007 Hummer H3 Product Catalog, published by General Motors Corp., published Aug. 2006.

\* cited by examiner

*Primary Examiner*—Melody N Brown

(57) **CLAIM**

The ornamental design for a vehicle body, as shown and described.

**DESCRIPTION**

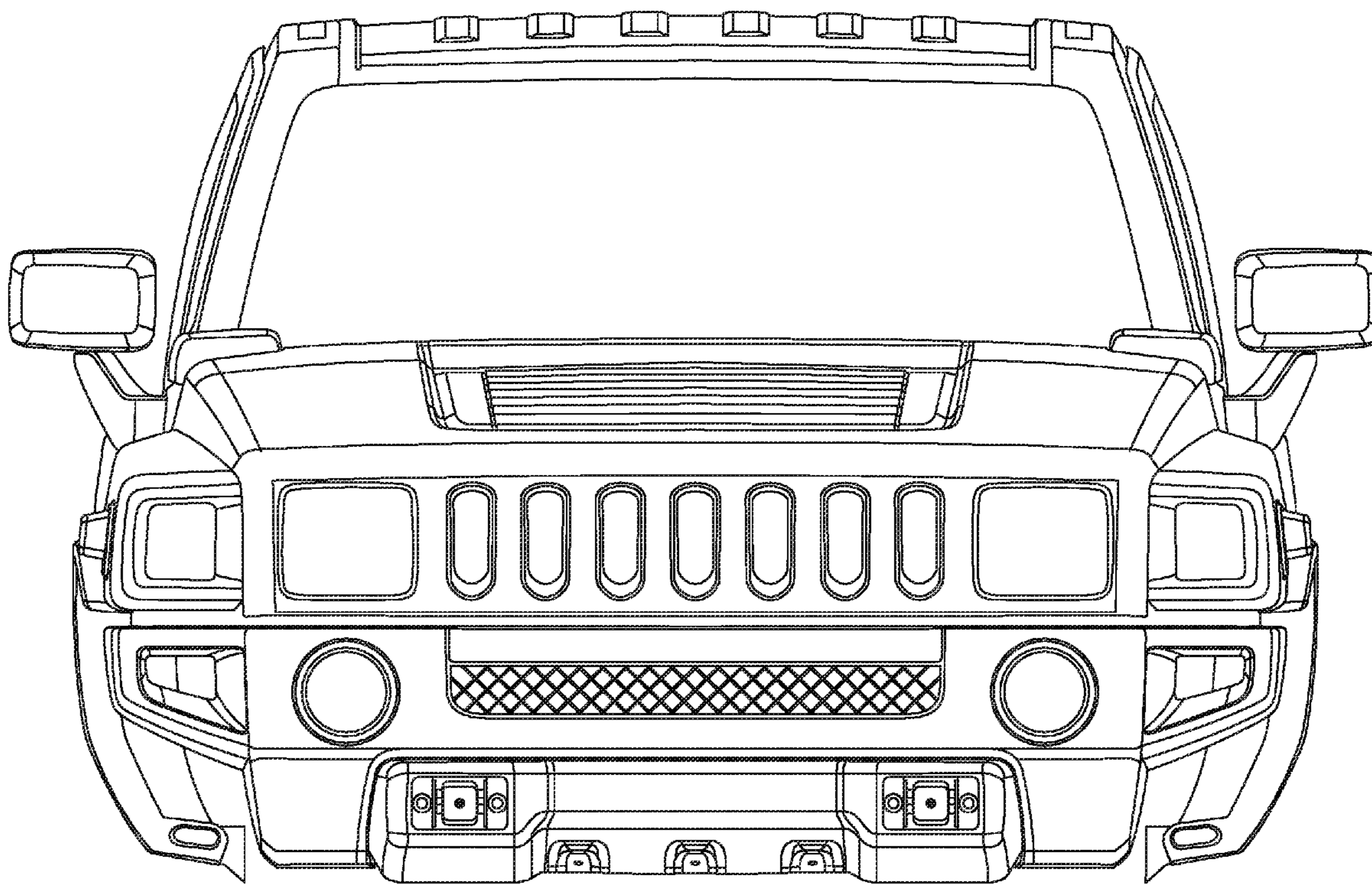
FIG. 1 is a front view of a vehicle body showing the new design;

FIG. 2 is a right front perspective view thereof;

FIG. 3 is a left rear perspective view thereof; and,

FIG. 4 is a rear view thereof.

**1 Claim, 4 Drawing Sheets**



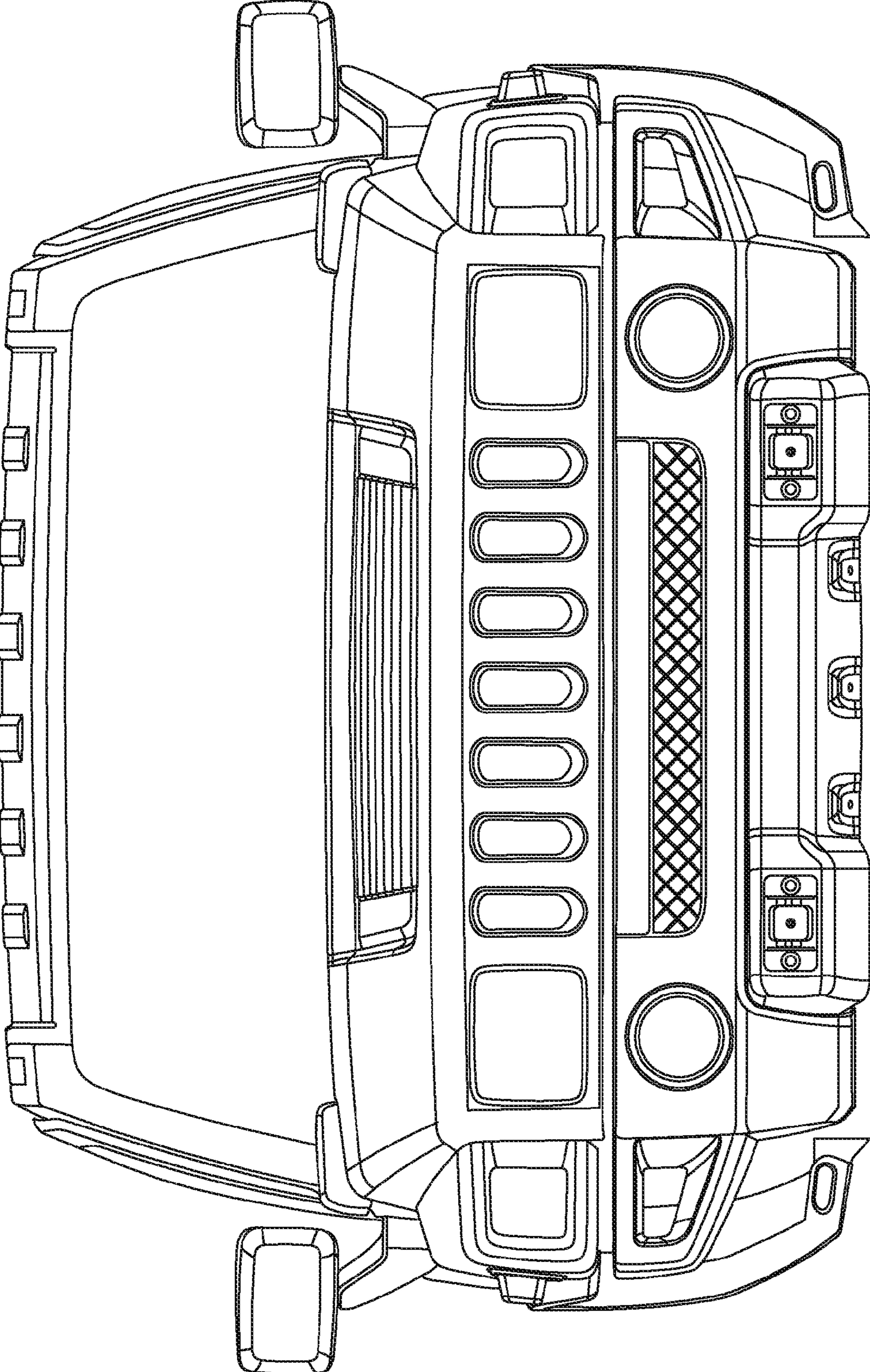


FIG. 1

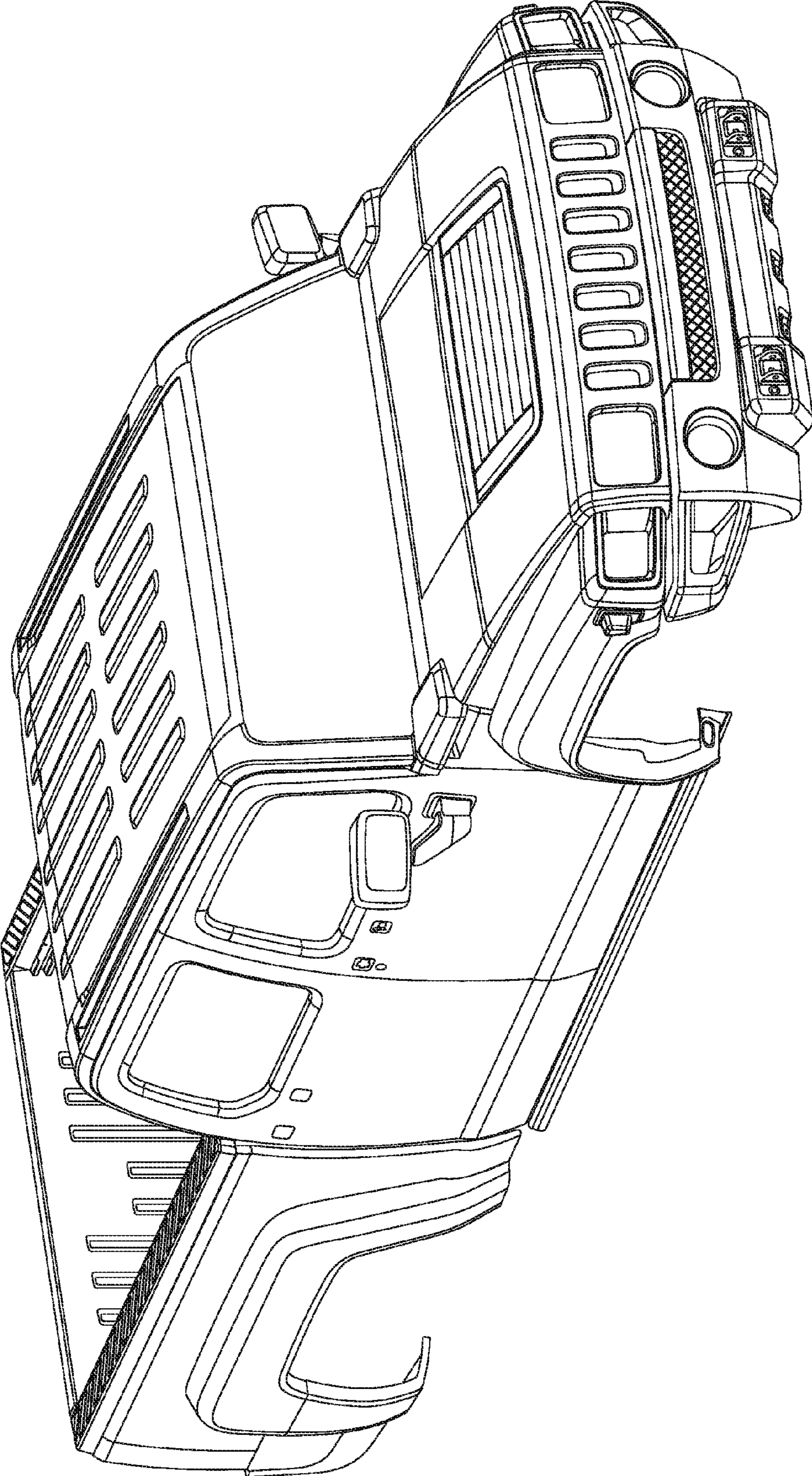


FIG. 2

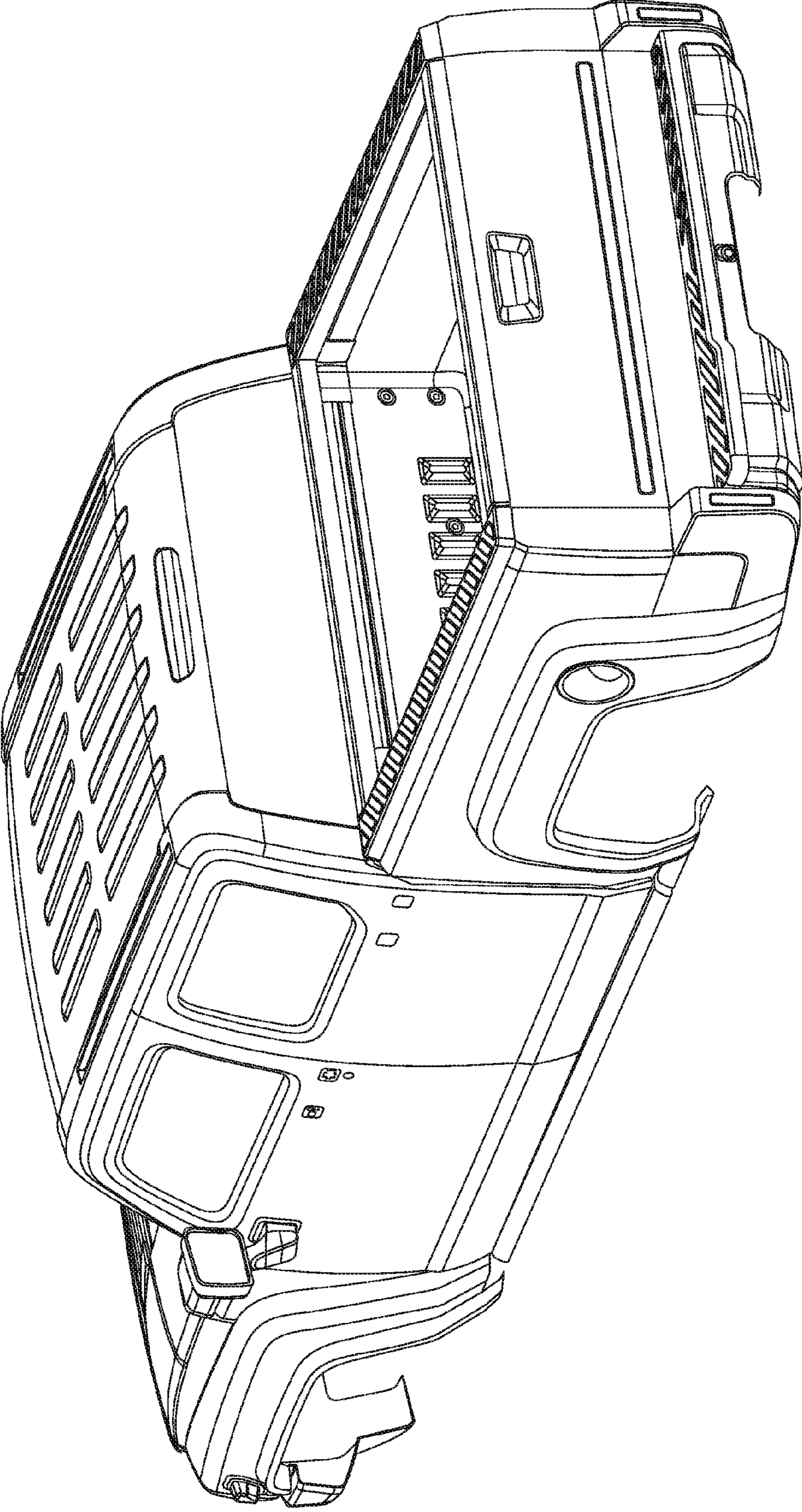


FIG. 3

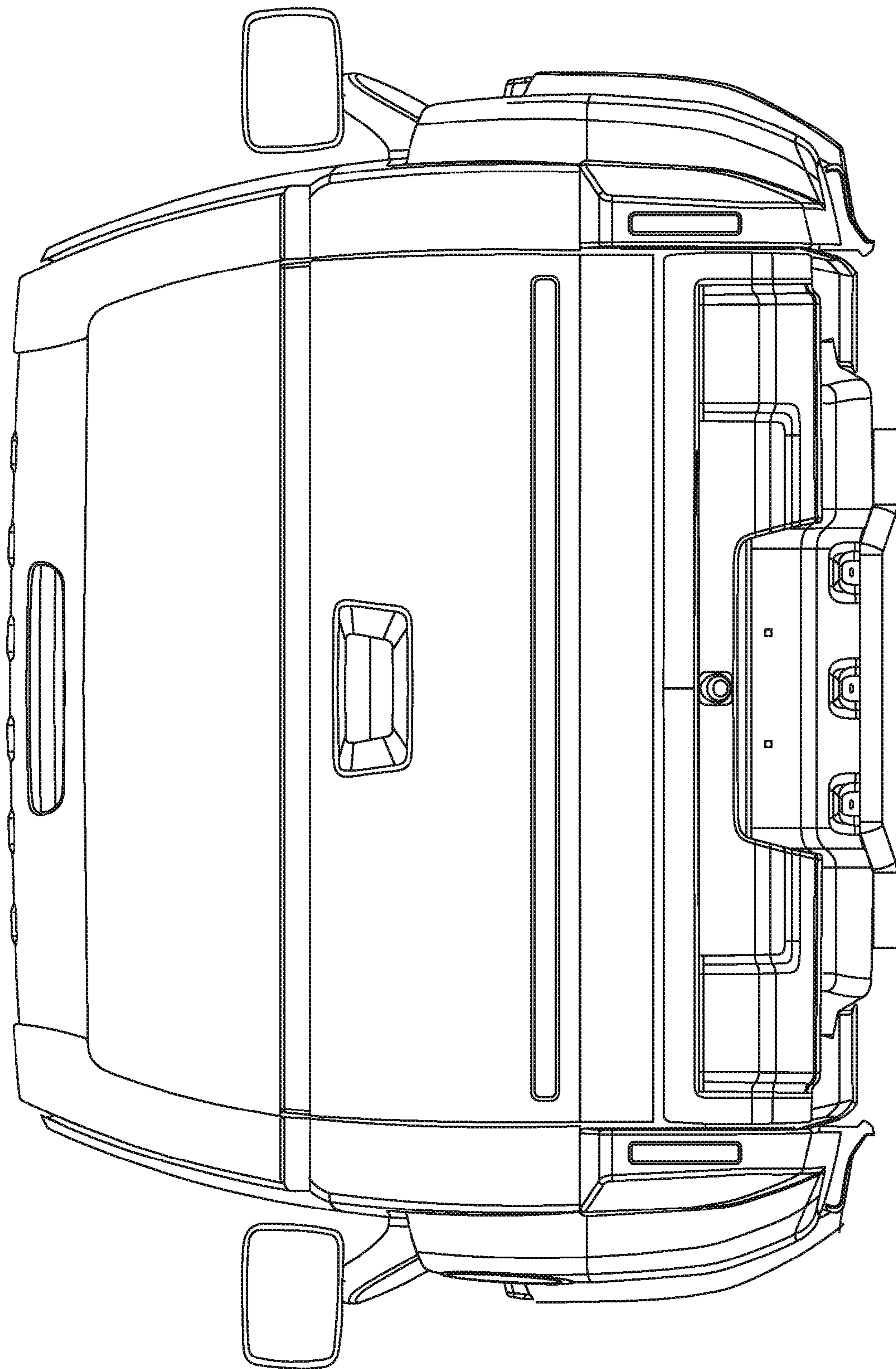


FIG. 4