



US00D579381S

(12) **United States Design Patent**  
**Bobbitt, III et al.**

(10) **Patent No.:** **US D579,381 S**  
(45) **Date of Patent:** **\*\* Oct. 28, 2008**

(54) **UTILITY VEHICLE BODY**

(75) Inventors: **John Thomas Bobbitt, III**, Evans, GA (US); **James Michael Fulford**, Evans, GA (US)

(73) Assignee: **Club Car, Inc.**, Evans, GA (US)

(\*\*) Term: **14 Years**

(21) Appl. No.: **29/240,672**

(22) Filed: **Oct. 17, 2005**

(51) **LOC (8) Cl.** ..... **12-13**

(52) **U.S. Cl.** ..... **D12/14; D12/16**

(58) **Field of Classification Search** ..... D21/433,  
D21/425, 427; D12/16, 86, 1, 82, 83, 85,  
D12/107, 14, 15, 400, 90, 91; 280/DIG. 5;  
224/274; 180/233, 908, 6.5, 89.1; 296/186  
See application file for complete search history.

(56) **References Cited**

**U.S. PATENT DOCUMENTS**

D245,242 S	8/1977	Stolley	
D255,558 S	6/1980	Ekuan	
D271,008 S	10/1983	Saporito	
D292,899 S	11/1987	Samuelson et al.	
D312,227 S	11/1990	Miyamoto et al.	
D337,747 S	7/1993	Hinklin et al.	
D364,590 S	11/1995	Yamashita	
5,509,710 A *	4/1996	Eavenson et al.	296/19
D395,023 S *	6/1998	Hikida	D12/16
D422,938 S *	4/2000	Molzon et al.	D12/1
D427,109 S *	6/2000	Molzon et al.	D12/1

D436,557 S	1/2001	Selby et al.	
D439,548 S *	3/2001	Kouchi et al.	D12/1
D439,549 S *	3/2001	Shambeau et al.	D12/14
D498,704 S *	11/2004	Bonner et al.	D12/16
7,140,670 B2 *	11/2006	Olson	296/190.08
2005/0173177 A1 *	8/2005	Smith et al.	180/233

\* cited by examiner

*Primary Examiner*—Robert M. Spear

*Assistant Examiner*—Ania K Dworzecka

(74) *Attorney, Agent, or Firm*—Michael Best & Friedrich LLP

(57) **CLAIM**

We claim the ornamental design for a utility vehicle body, as shown and described.

**DESCRIPTION**

FIG. 1 is a front perspective view of a utility vehicle body showing our new design;

FIG. 2 is a rear perspective view thereof;

FIG. 3 is a front elevational view thereof;

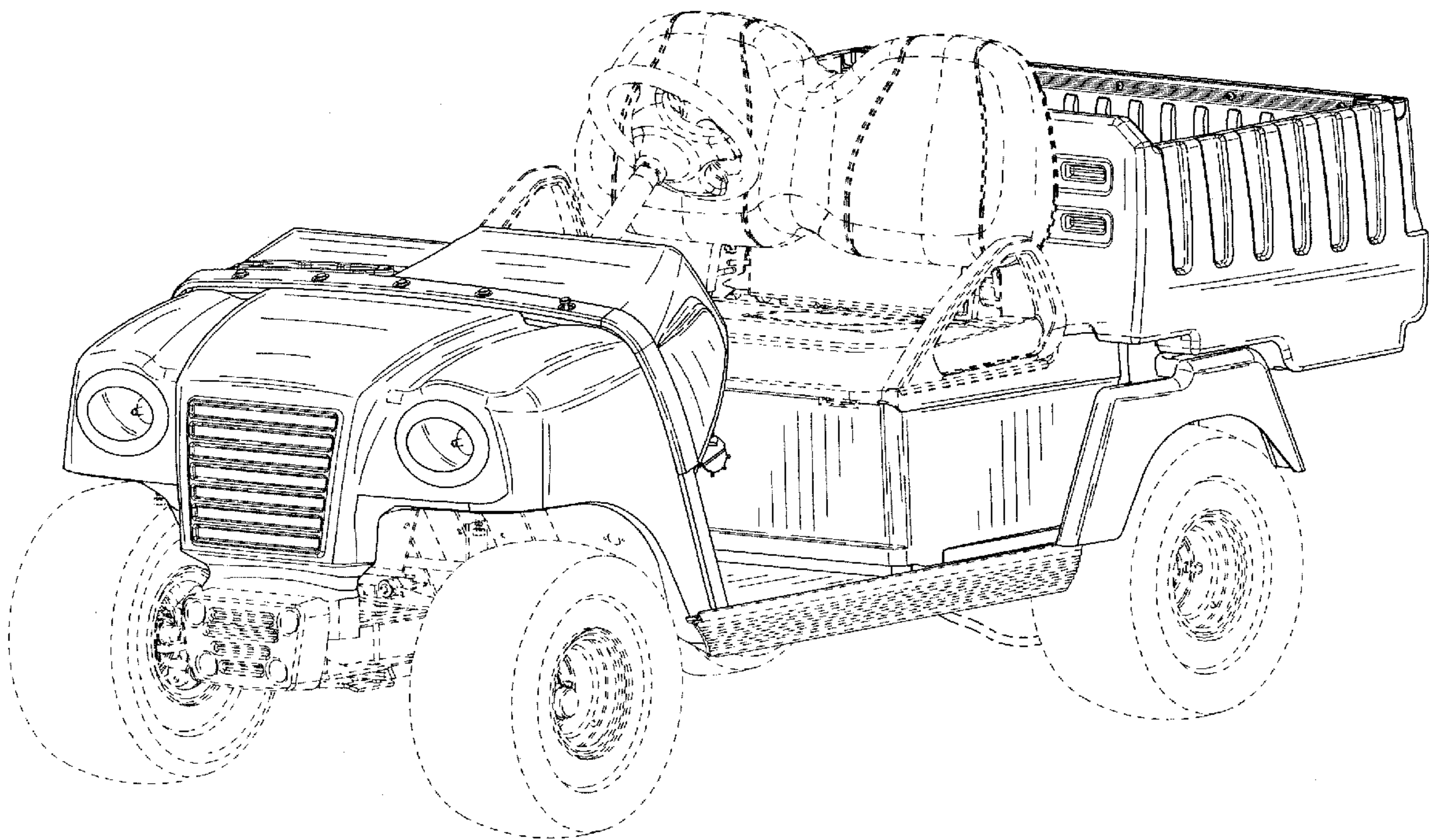
FIG. 4 is a rear elevational view thereof;

FIG. 5 is a left side elevational view thereof, which is a mirror image of the right side not shown; and,

FIG. 6 is a top plan view thereof.

The structural features depicted by means of broken lines in the drawing figures have been shown for the purpose of illustrating environmental structure only and form no part of the claimed design.

**1 Claim, 6 Drawing Sheets**



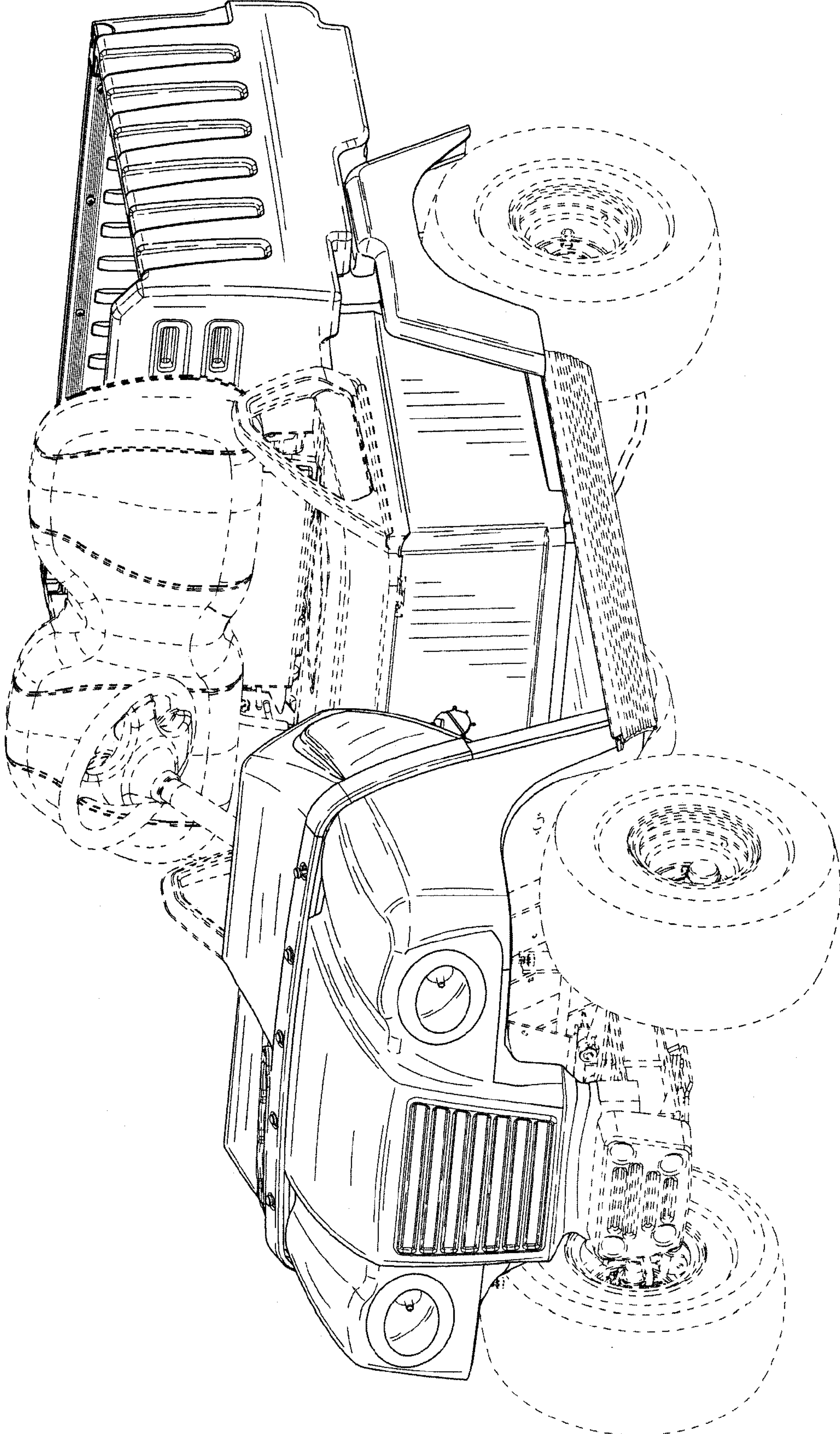


FIG. 1



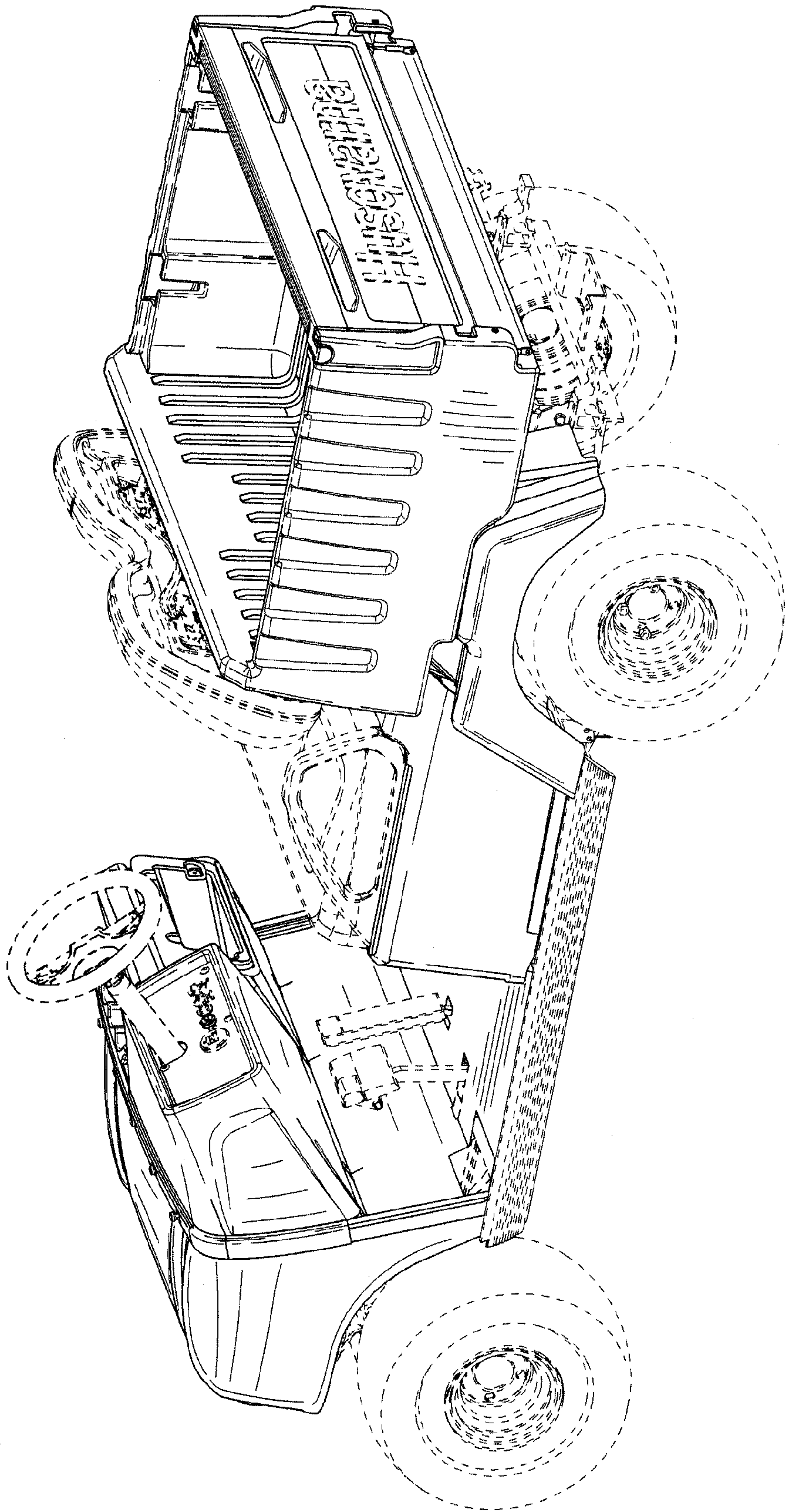


FIG. 2

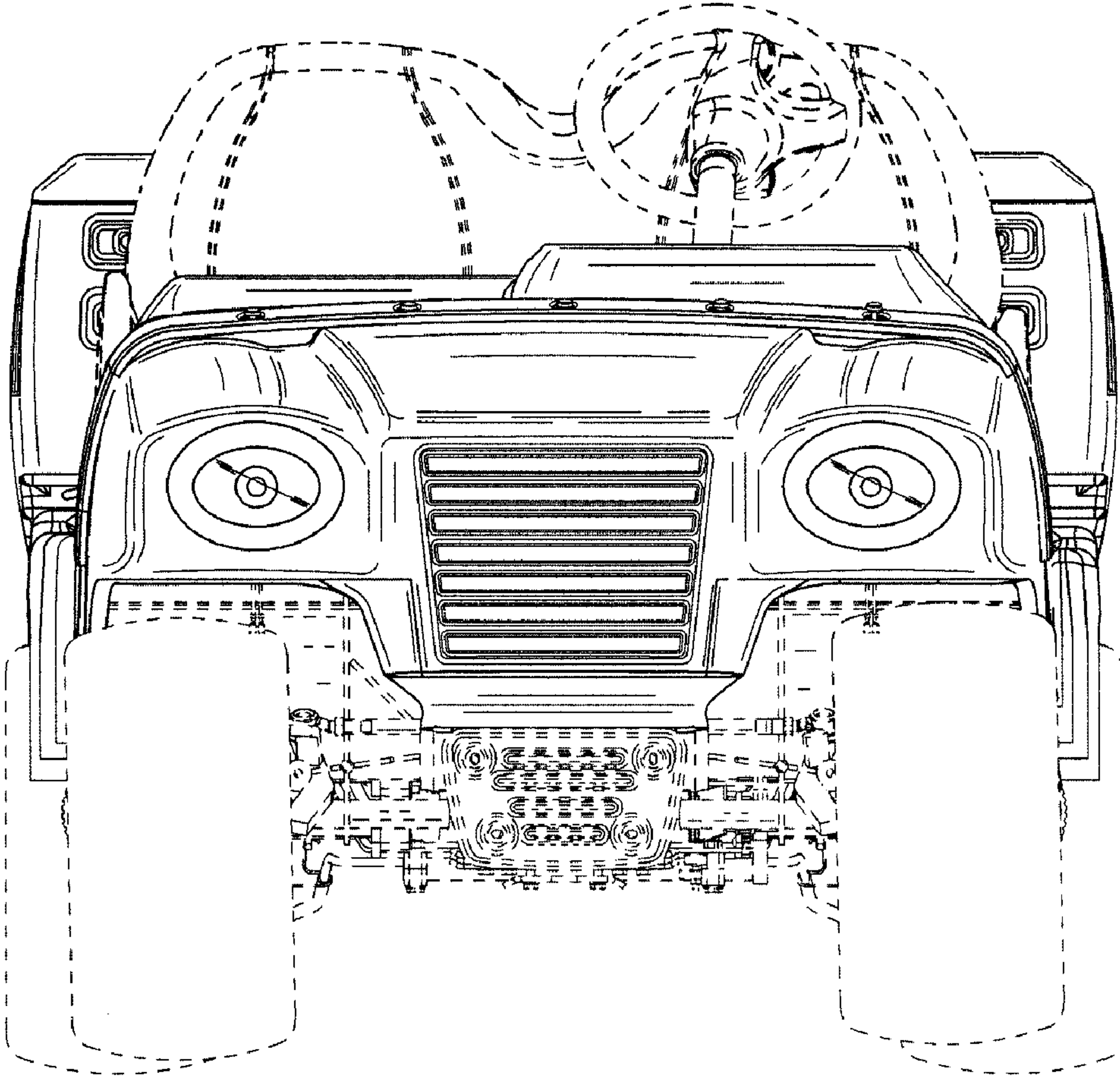


FIG. 3

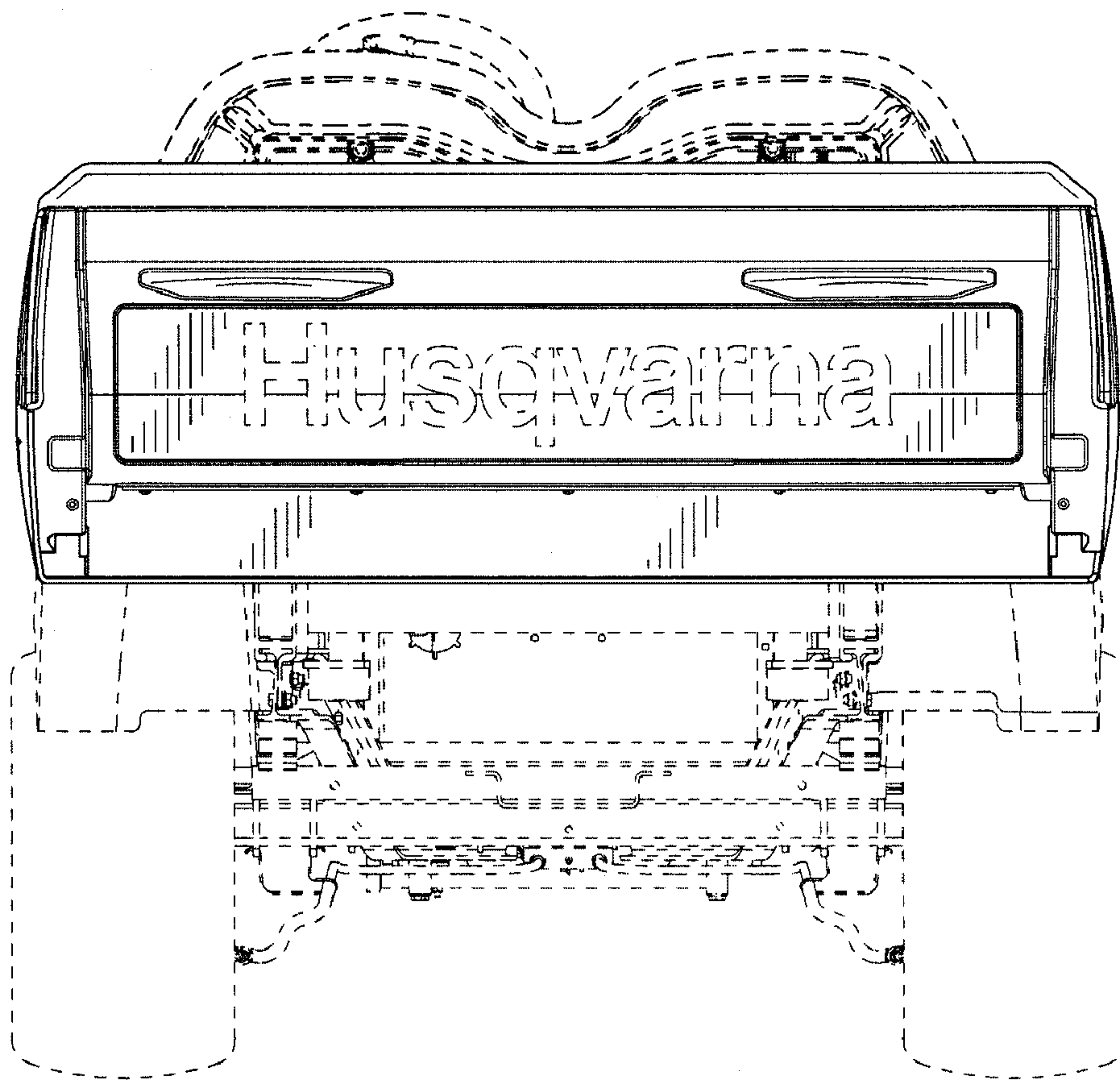


FIG. 4



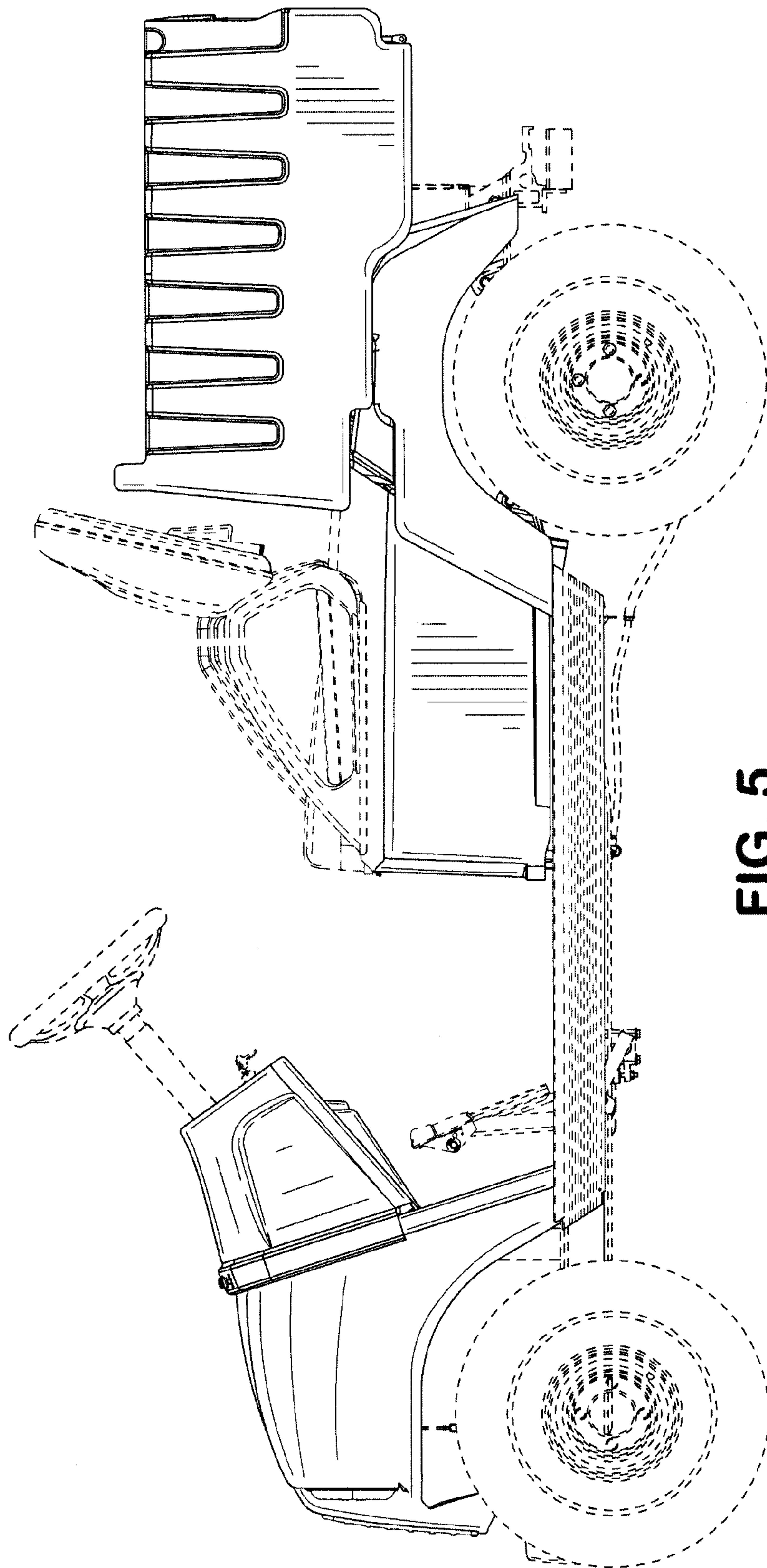


FIG. 5

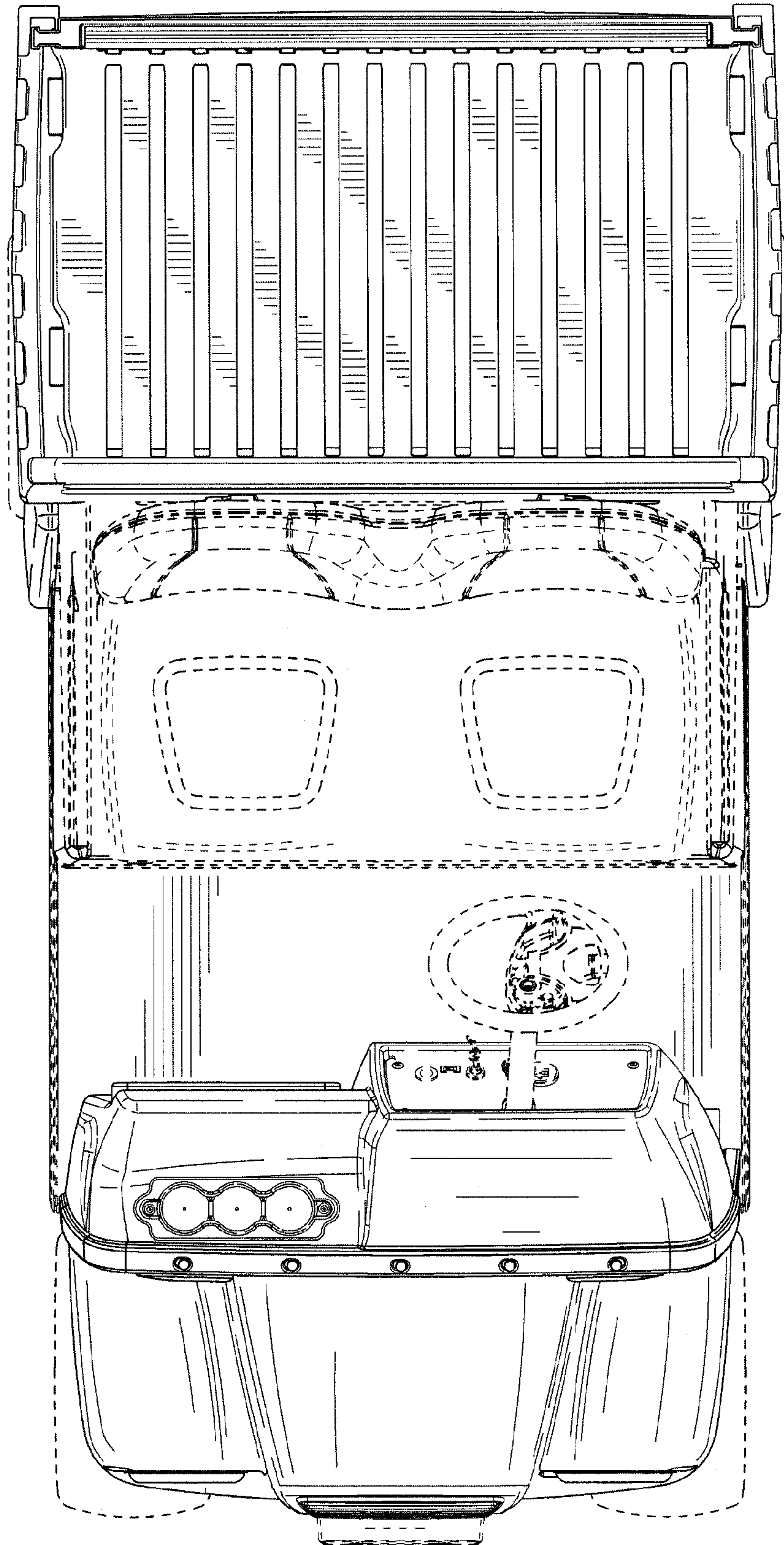


FIG. 6