



US00D579379S

(12) **United States Design Patent**
Lin

(10) **Patent No.:** **US D579,379 S**

(45) **Date of Patent:** **** Oct. 28, 2008**

(54) **ZIPPER HEAD**

D509,770 S * 9/2005 Hamada et al. D11/221
D556,088 S * 11/2007 Cossutti D11/221

(75) Inventor: **Yu-Pau Lin**, Pingjhen (TW)

* cited by examiner

(73) Assignee: **Chung Chwan Enterprise Co., Ltd.**,
Taoyuan Hsien (TW)

Primary Examiner—R. Seifert

(74) *Attorney, Agent, or Firm*—Rosenberg, Klein & Lee

(**) Term: **14 Years**

(57) **CLAIM**

(21) Appl. No.: **29/294,018**

The ornamental design for a “zipper head,” as shown and described.

(22) Filed: **Dec. 21, 2007**

(51) **LOC (8) Cl.** **02-07**

(52) **U.S. Cl.** **D11/221**

(58) **Field of Classification Search** D11/200,
D11/201, 221; 24/381–383, 385, 387, 414–415,
24/418–419, 421, 427–431, 433; 2/265
See application file for complete search history.

DESCRIPTION

FIG. 1 is a perspective view of a “zipper head” showing my new design;

FIG. 2 is a front view thereof;

FIG. 3 is a rear view thereof;

FIG. 4 is a left side view thereof;

FIG. 5 is a right side view thereof;

FIG. 6 is a top view thereof; and,

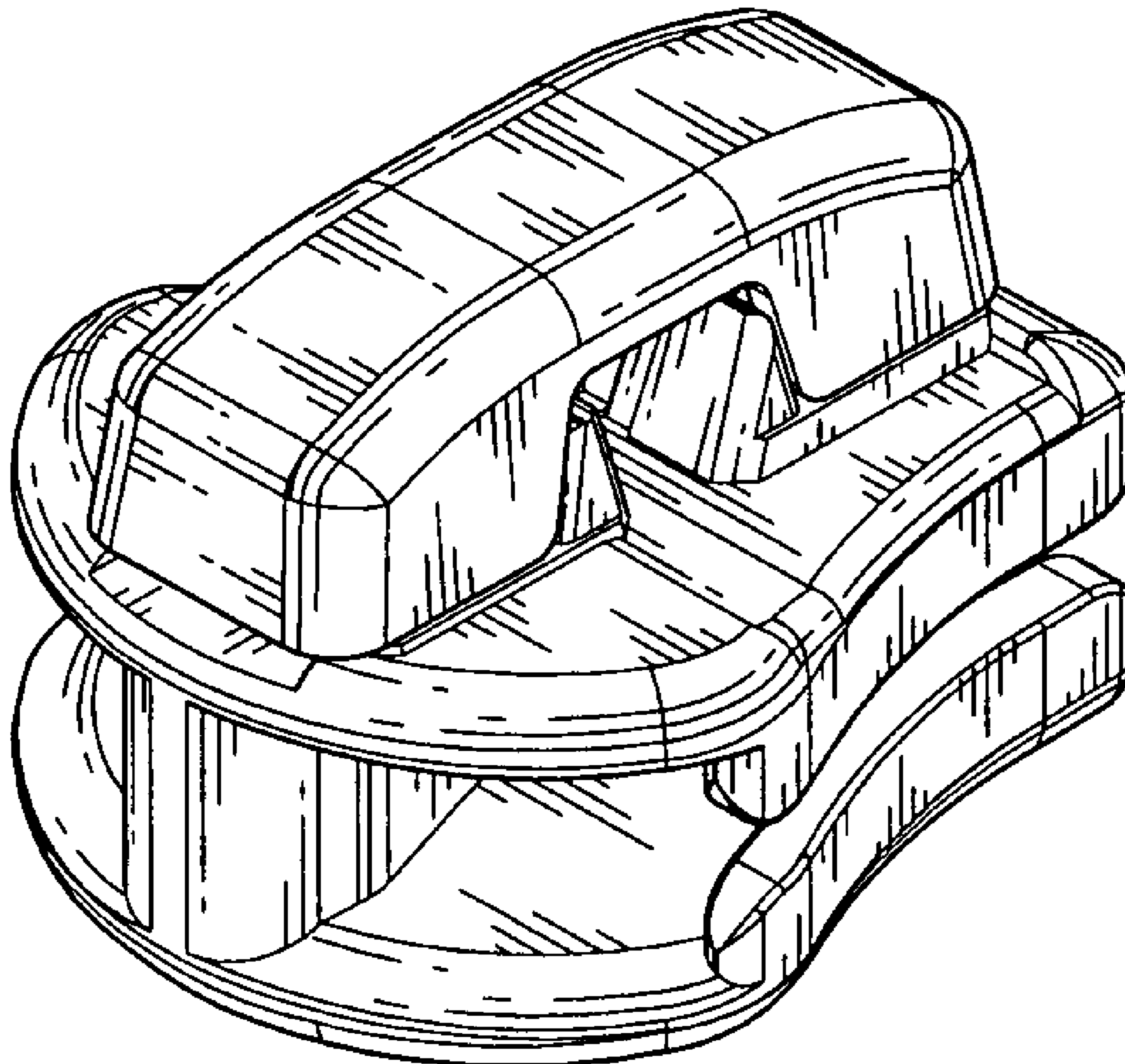
FIG. 7 is a bottom view thereof.

(56) **References Cited**

U.S. PATENT DOCUMENTS

D380,988 S * 7/1997 Mizuno D11/221
D497,570 S * 10/2004 Iwase D11/221
D497,835 S * 11/2004 Yoneoka et al. D11/221
D497,836 S * 11/2004 Iwase D11/221

1 Claim, 4 Drawing Sheets



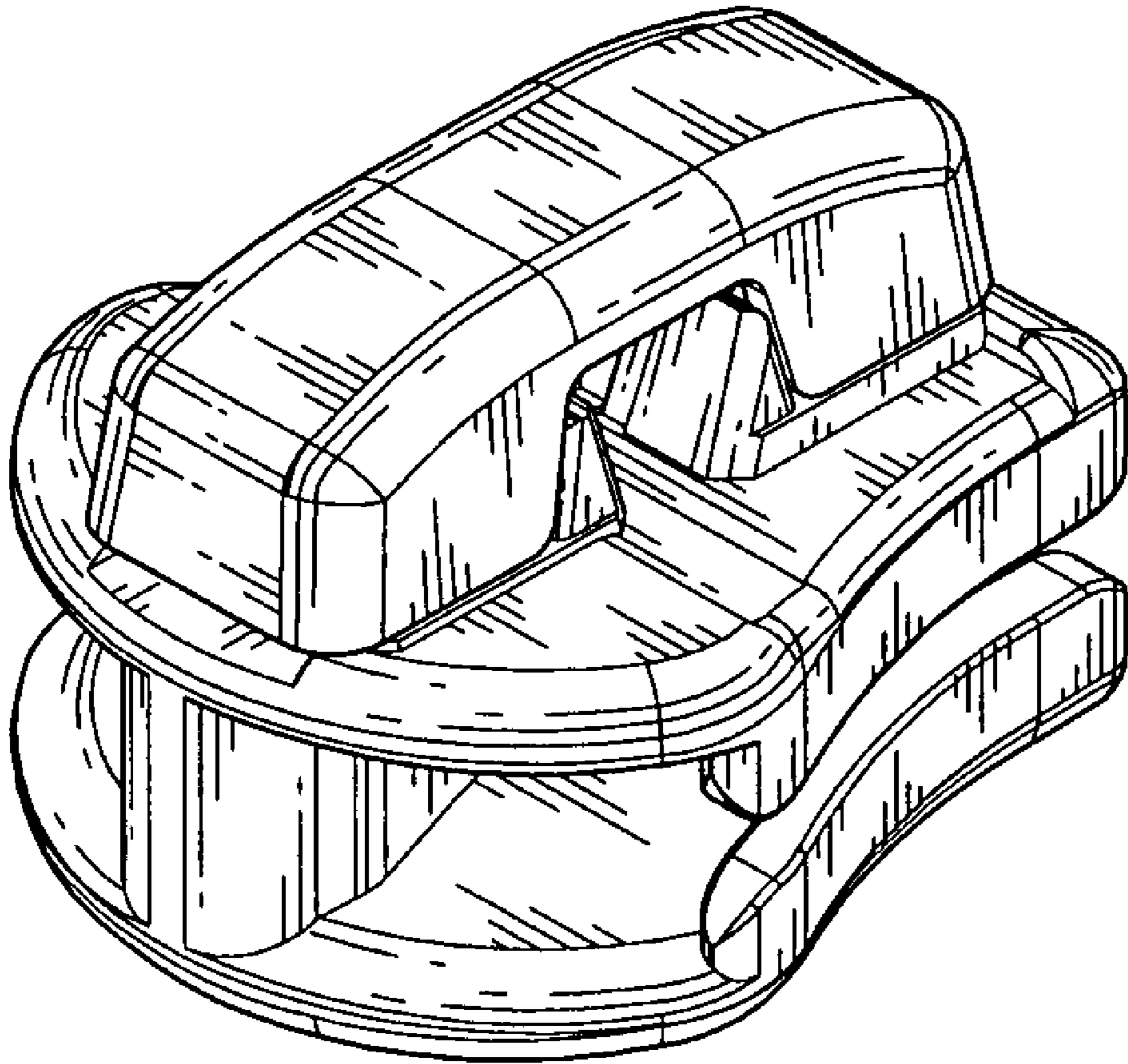


FIG. 1

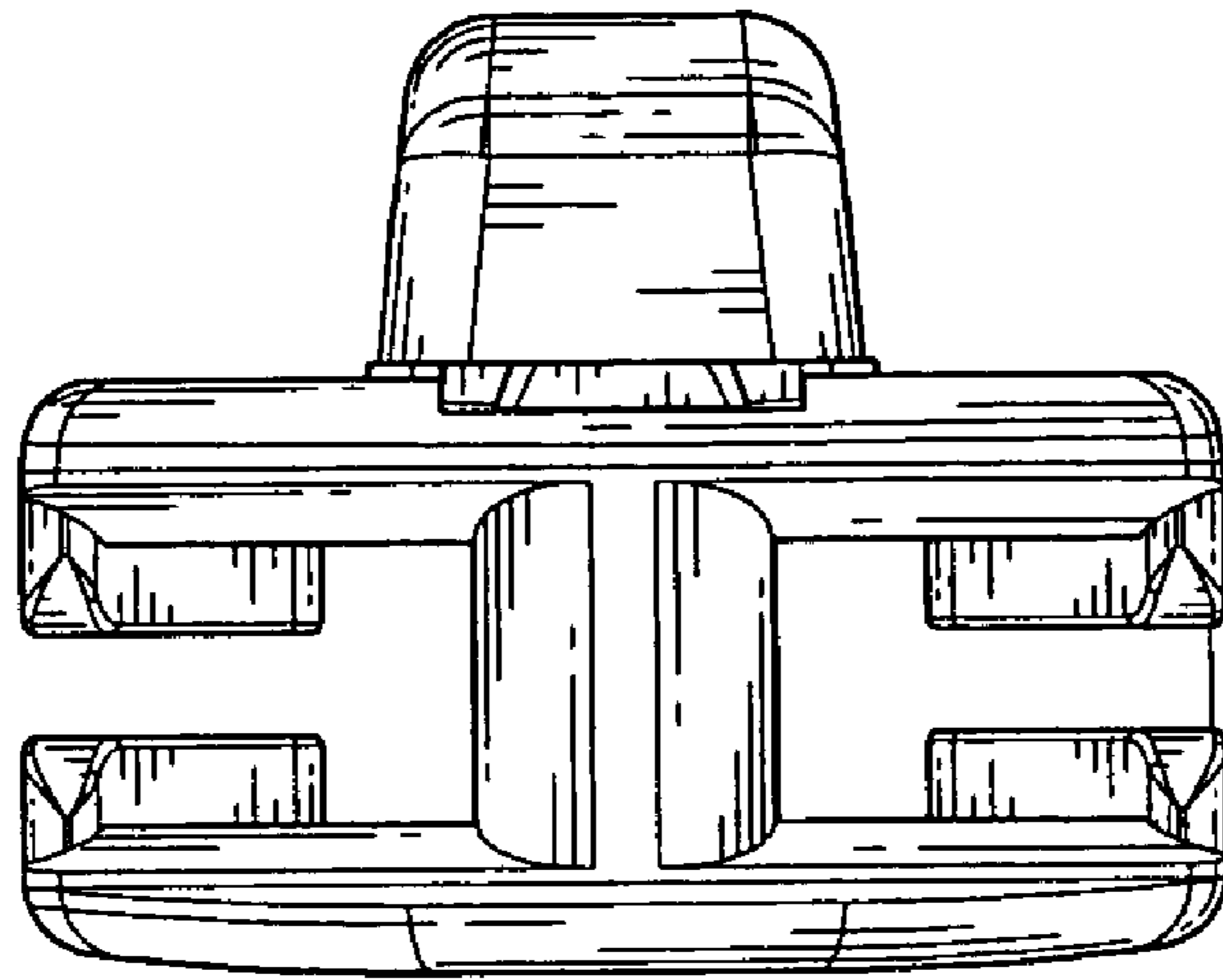


FIG. 2

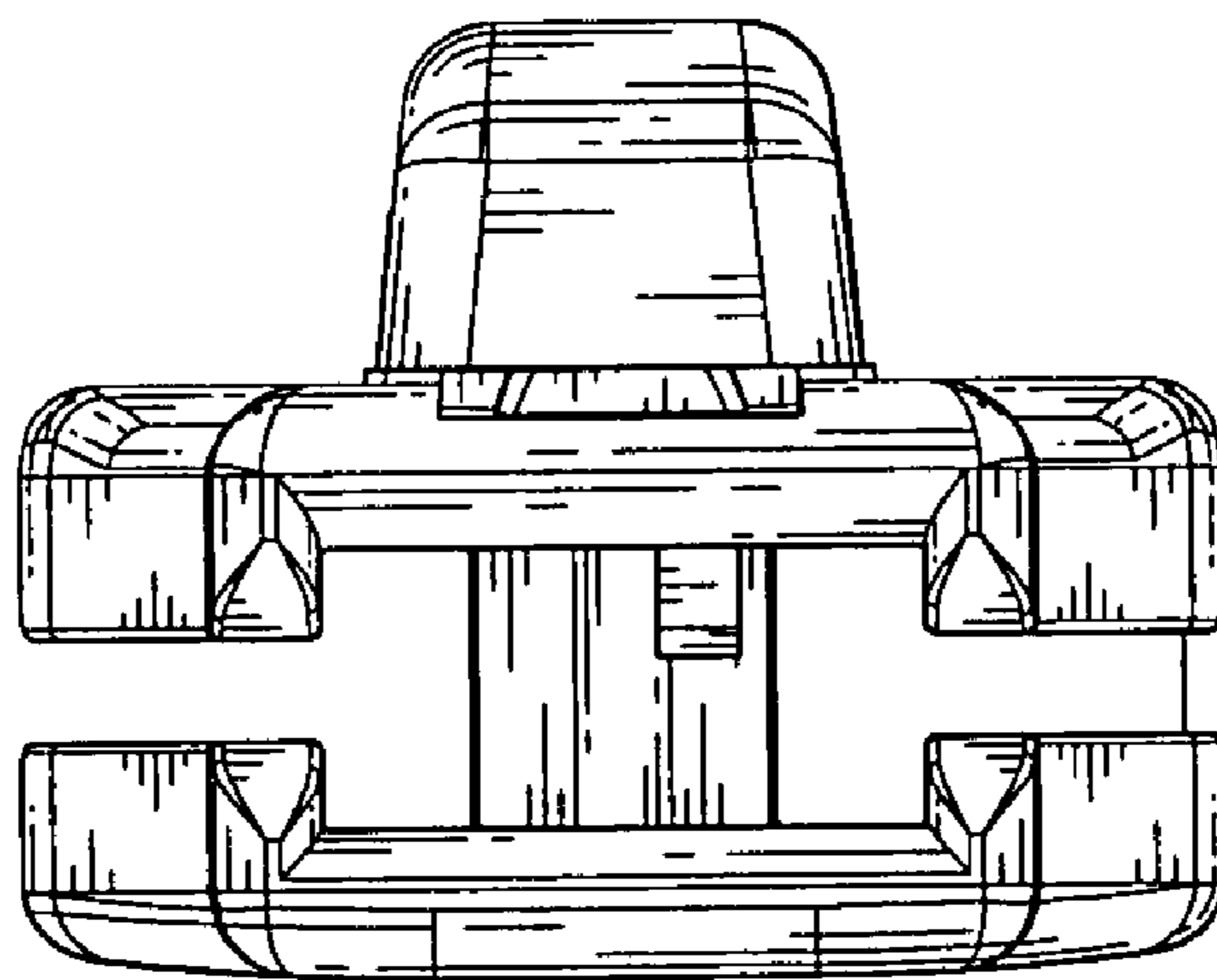


FIG. 3

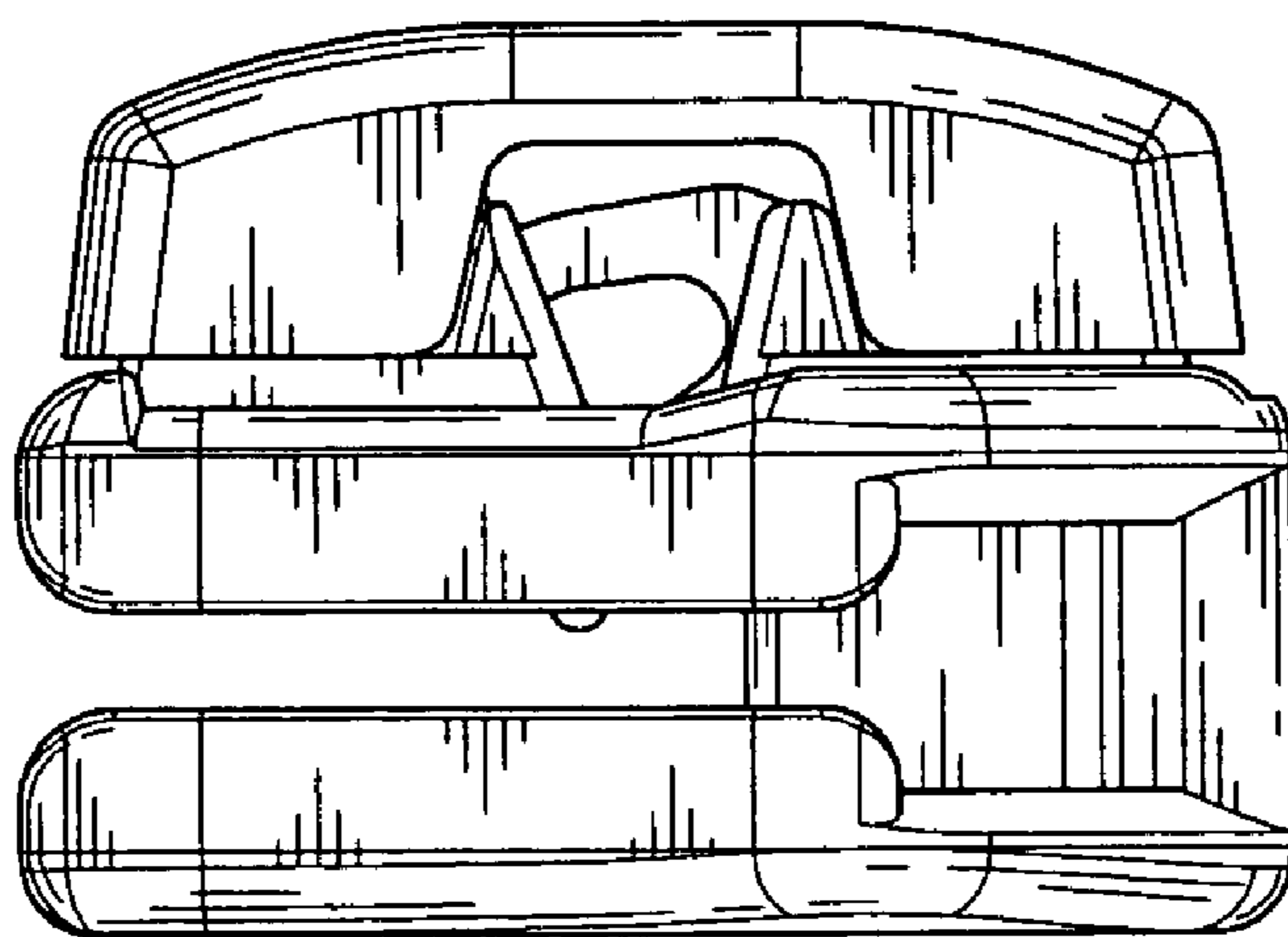


FIG. 4

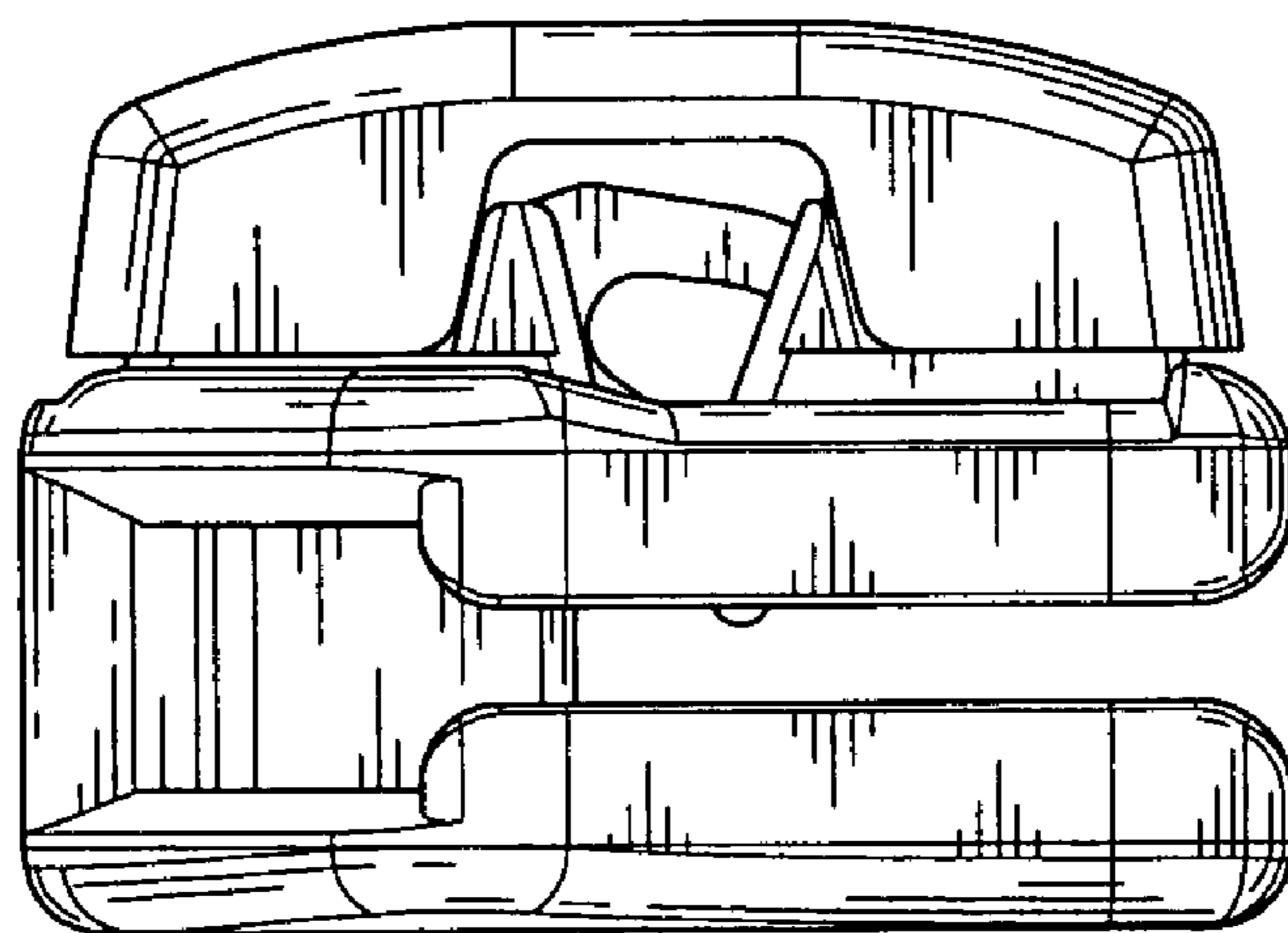


FIG. 5

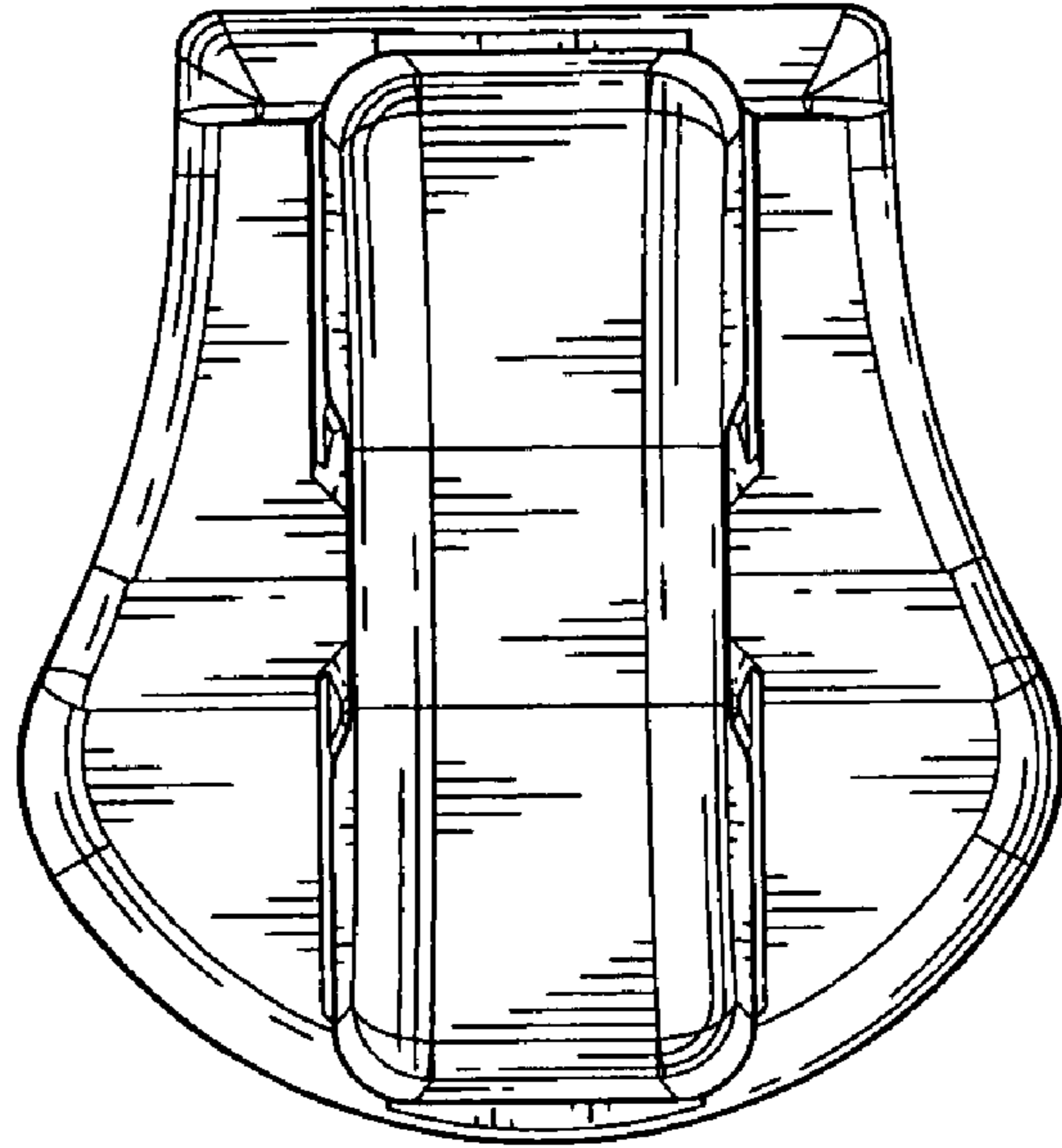


FIG. 6

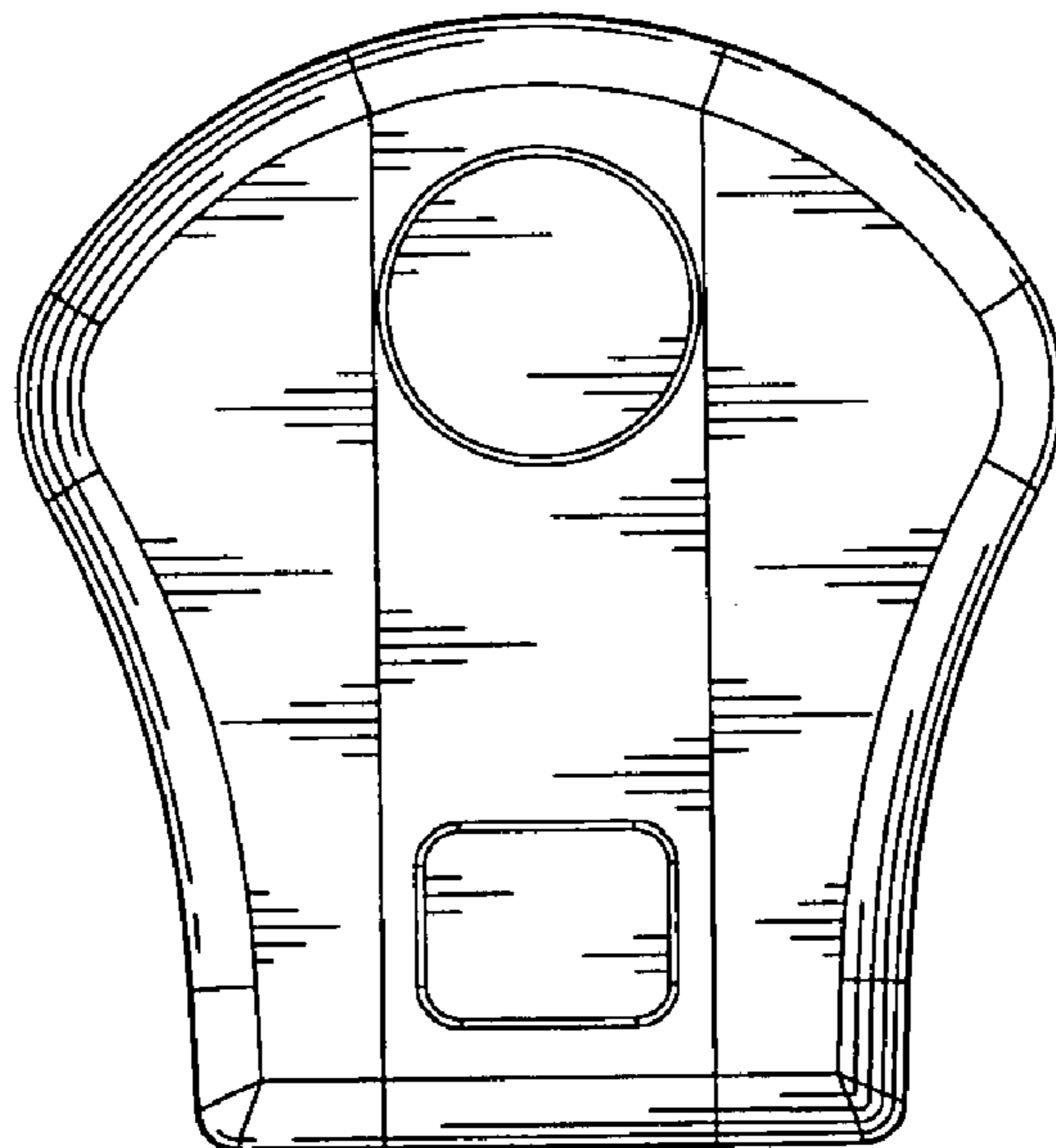


FIG. 7