



US00D579372S

(12) **United States Design Patent**
Bulgari

(10) **Patent No.:** **US D579,372 S**

(45) **Date of Patent:** **** Oct. 28, 2008**

(54) **RING**

D473,812 S * 4/2003 Itzkowitz D11/36
D489,021 S * 4/2004 Bondanza D11/36
D516,452 S * 3/2006 Bulgari D11/35

(75) Inventor: **Paolo Bulgari**, Rome (IT)

(73) Assignee: **Bulgari S.p.A.**, Rome (IT)

(**) Term: **14 Years**

(21) Appl. No.: **29/302,946**

(22) Filed: **Jan. 29, 2008**

(30) **Foreign Application Priority Data**

Aug. 1, 2007 (EM) 000767785-0001

(51) **LOC (8) Cl.** **11-01**

(52) **U.S. Cl.** **D11/35; D11/36**

(58) **Field of Classification Search** D11/26-39,
D11/3, 89-92; 63/15, 15.1-15.4, 15.45,
63/15.5, 15.56, 15.65, 26-27

See application file for complete search history.

(56) **References Cited**

U.S. PATENT DOCUMENTS

D193,020 S * 6/1962 Gibeault D11/36
D427,539 S * 7/2000 Bulgari D11/36
D446,470 S * 8/2001 Itzkowitz D11/26

* cited by examiner

Primary Examiner—Cathron C Brooks

Assistant Examiner—Melanie Levy

(74) *Attorney, Agent, or Firm*—Reising, Ethington, Barnes, Kisselle, P.C.

(57) **CLAIM**

The ornamental design for a ring, as shown and described.

DESCRIPTION

FIG. 1 is a top perspective view of a ring showing my new design;

FIG. 2 is a right side elevational view thereof;

FIG. 3 is a front elevational view thereof;

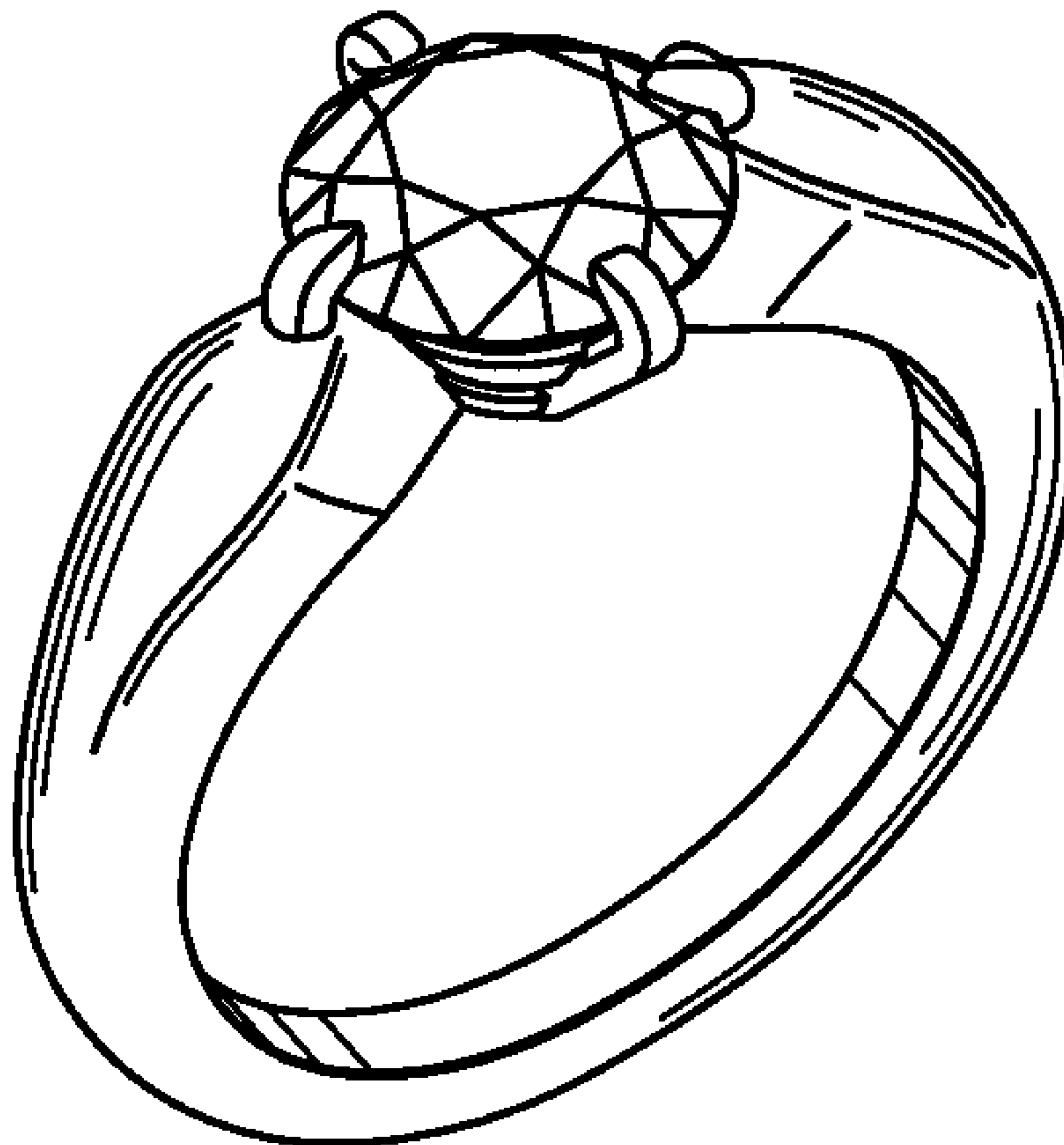
FIG. 4 is a left side elevational view thereof;

FIG. 5 is a rear elevational view thereof;

FIG. 6 is a top plan view thereof; and,

FIG. 7 is a bottom plan view thereof.

1 Claim, 1 Drawing Sheet



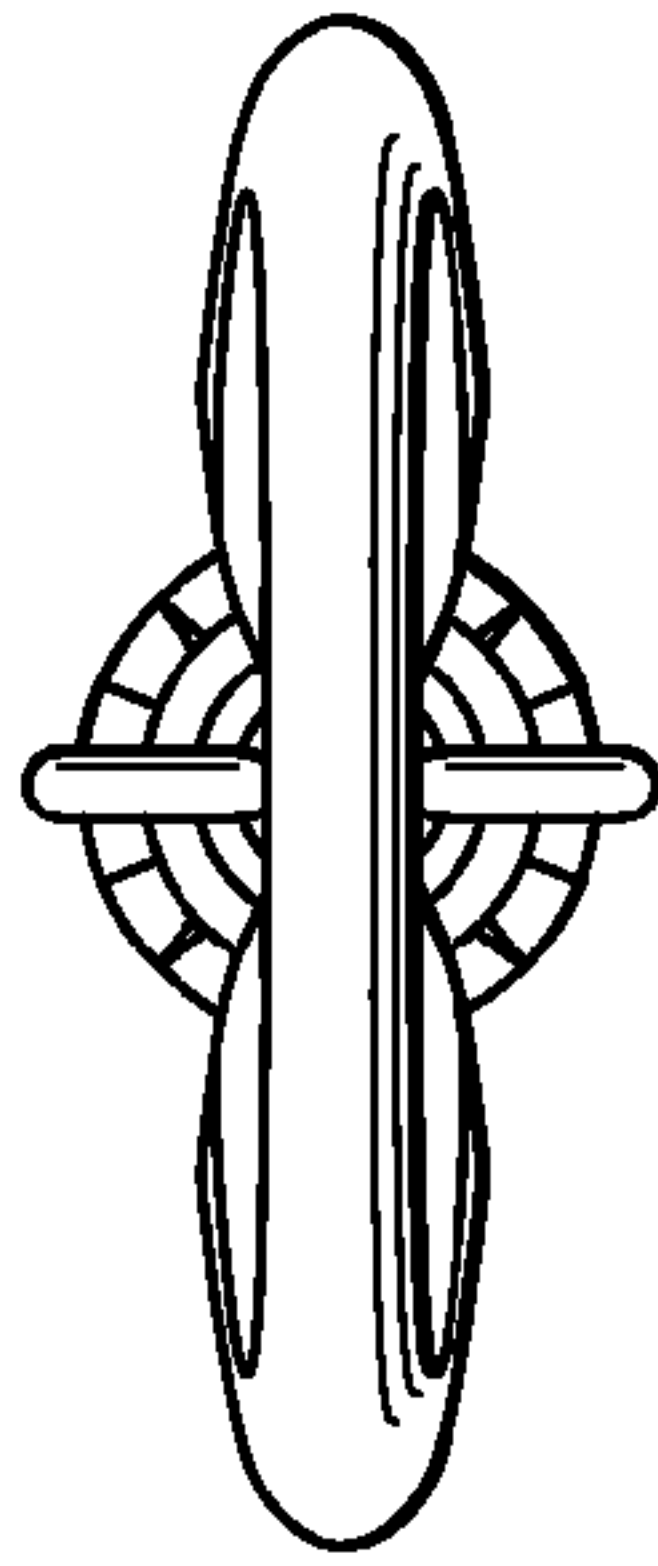


Fig. 1

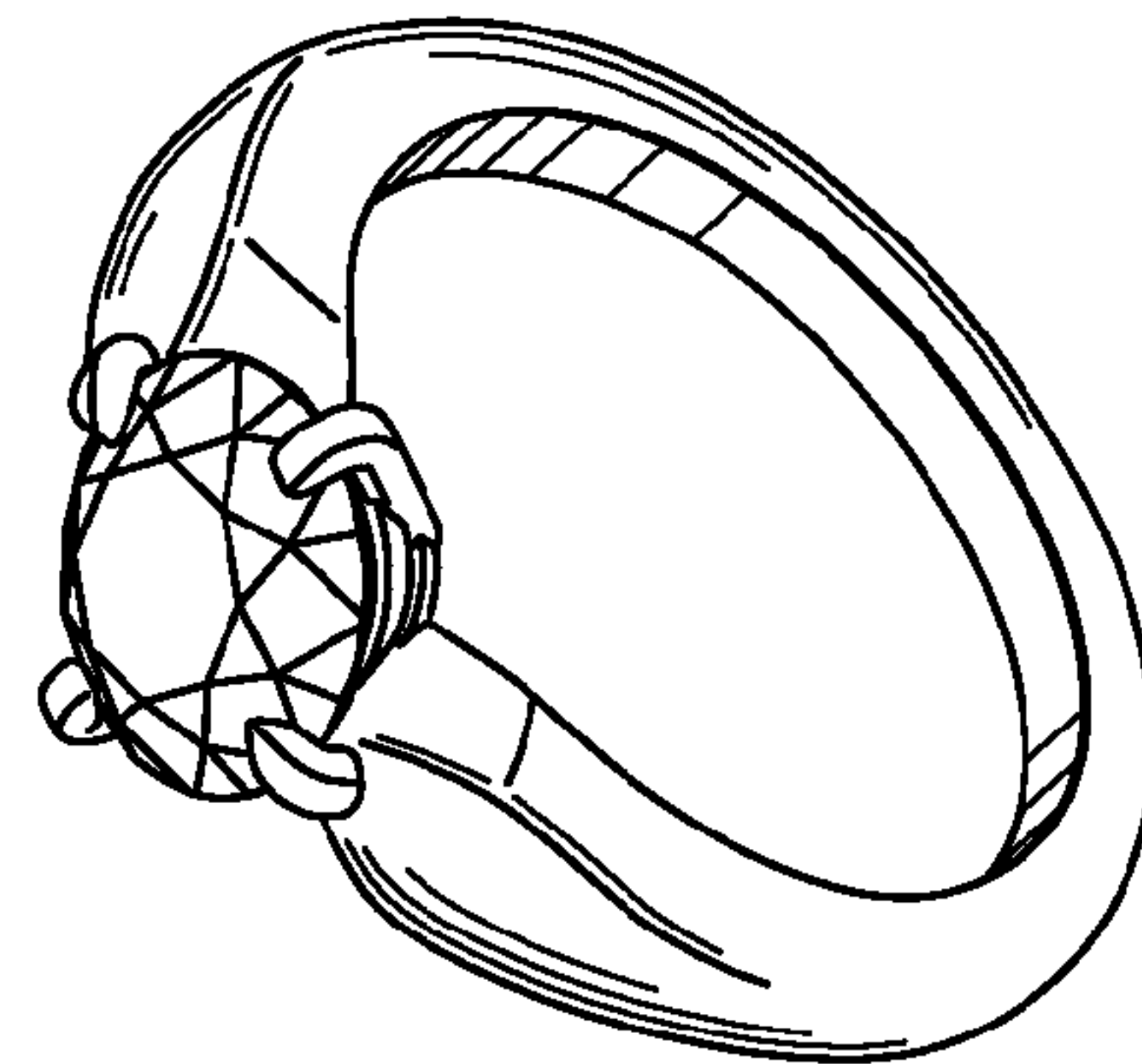


Fig. 2

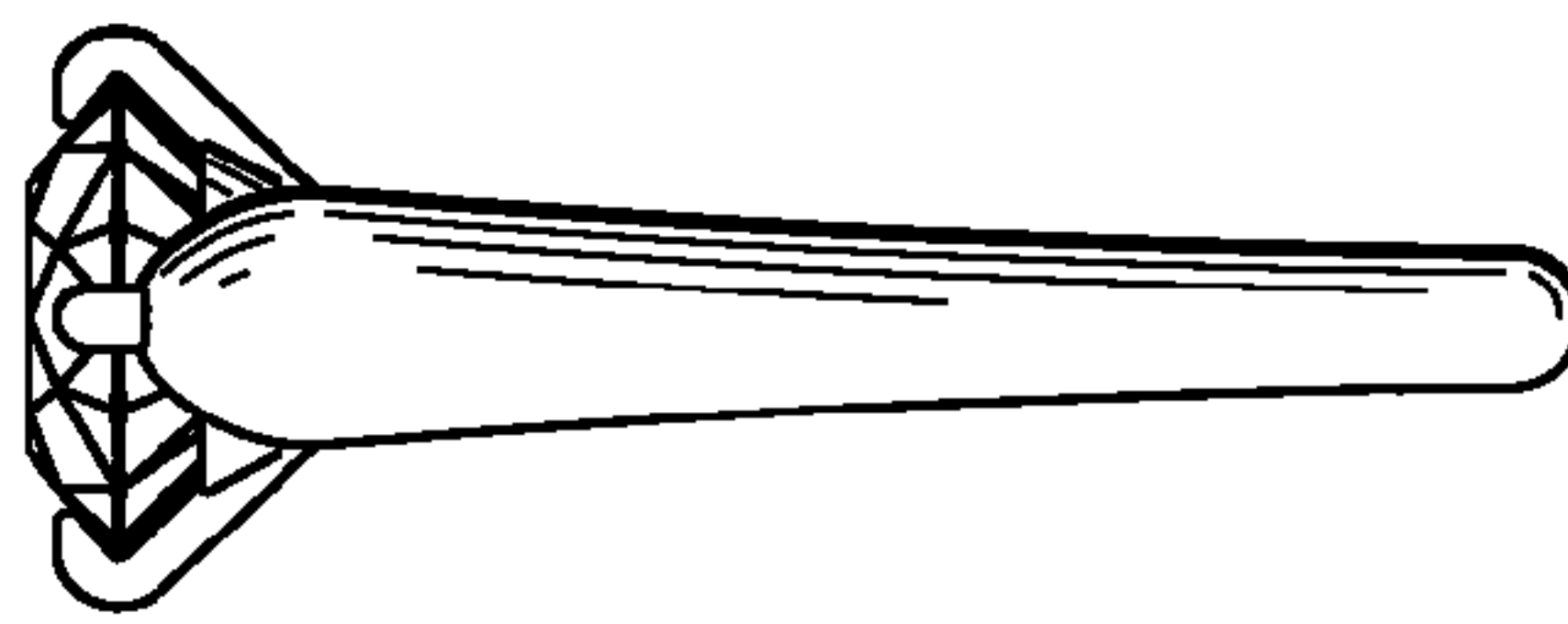


Fig. 3

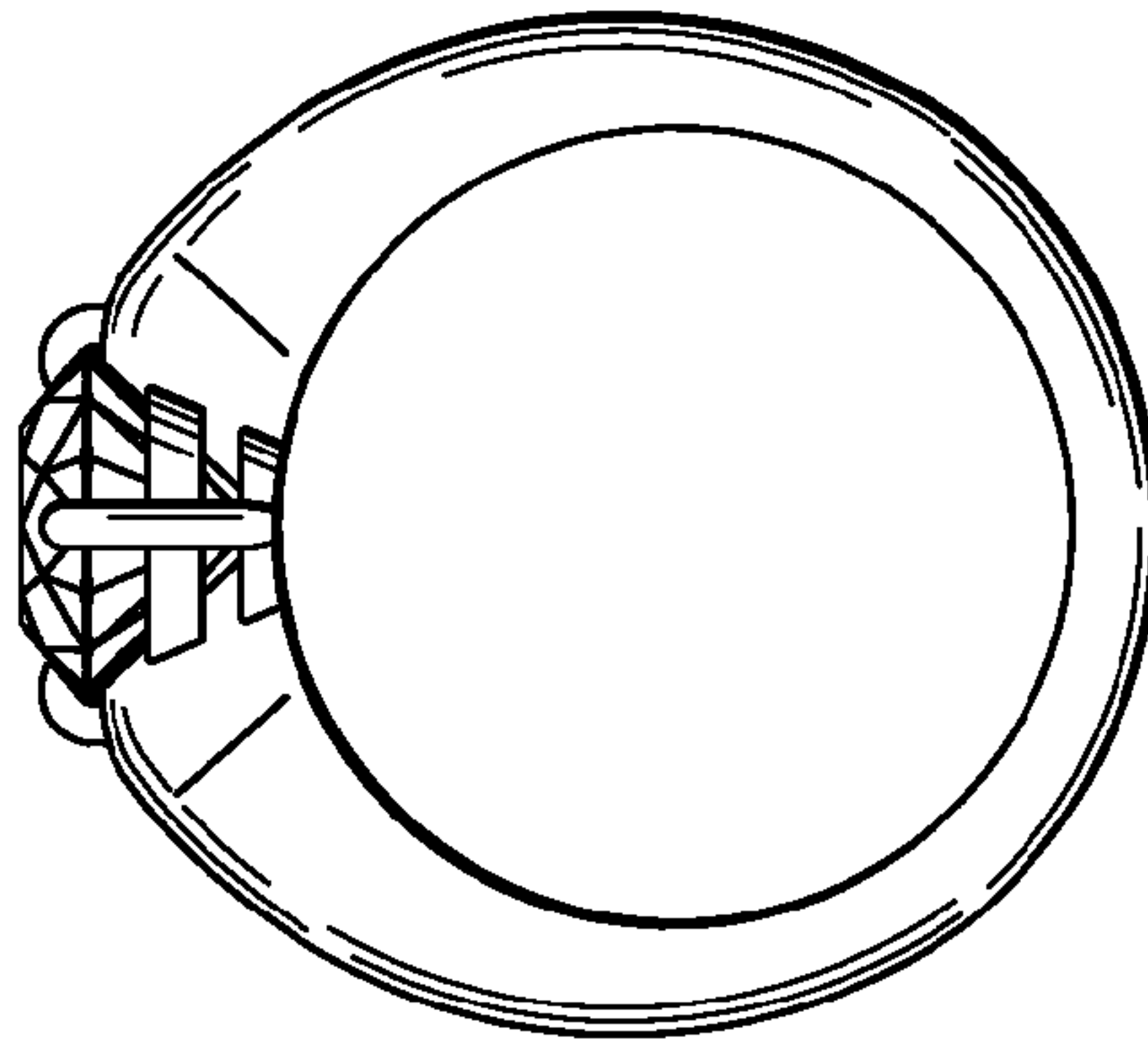


Fig. 4

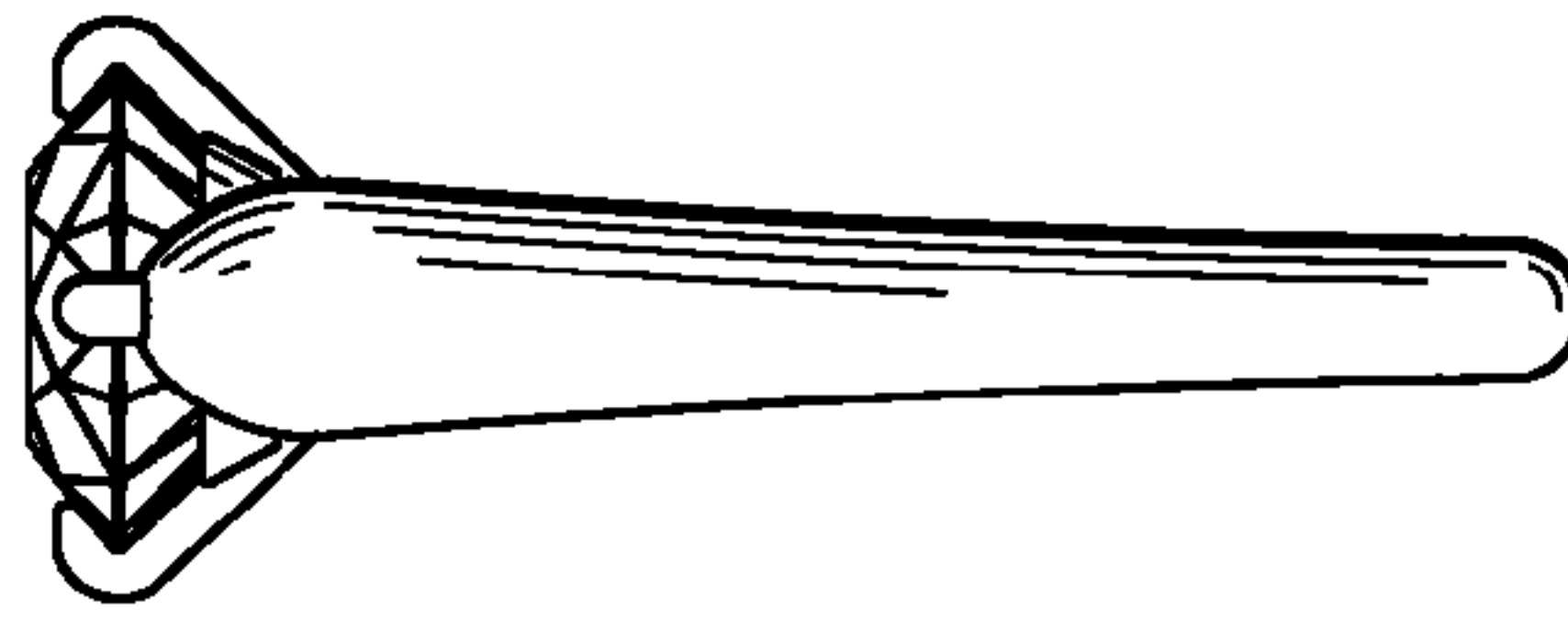


Fig. 5

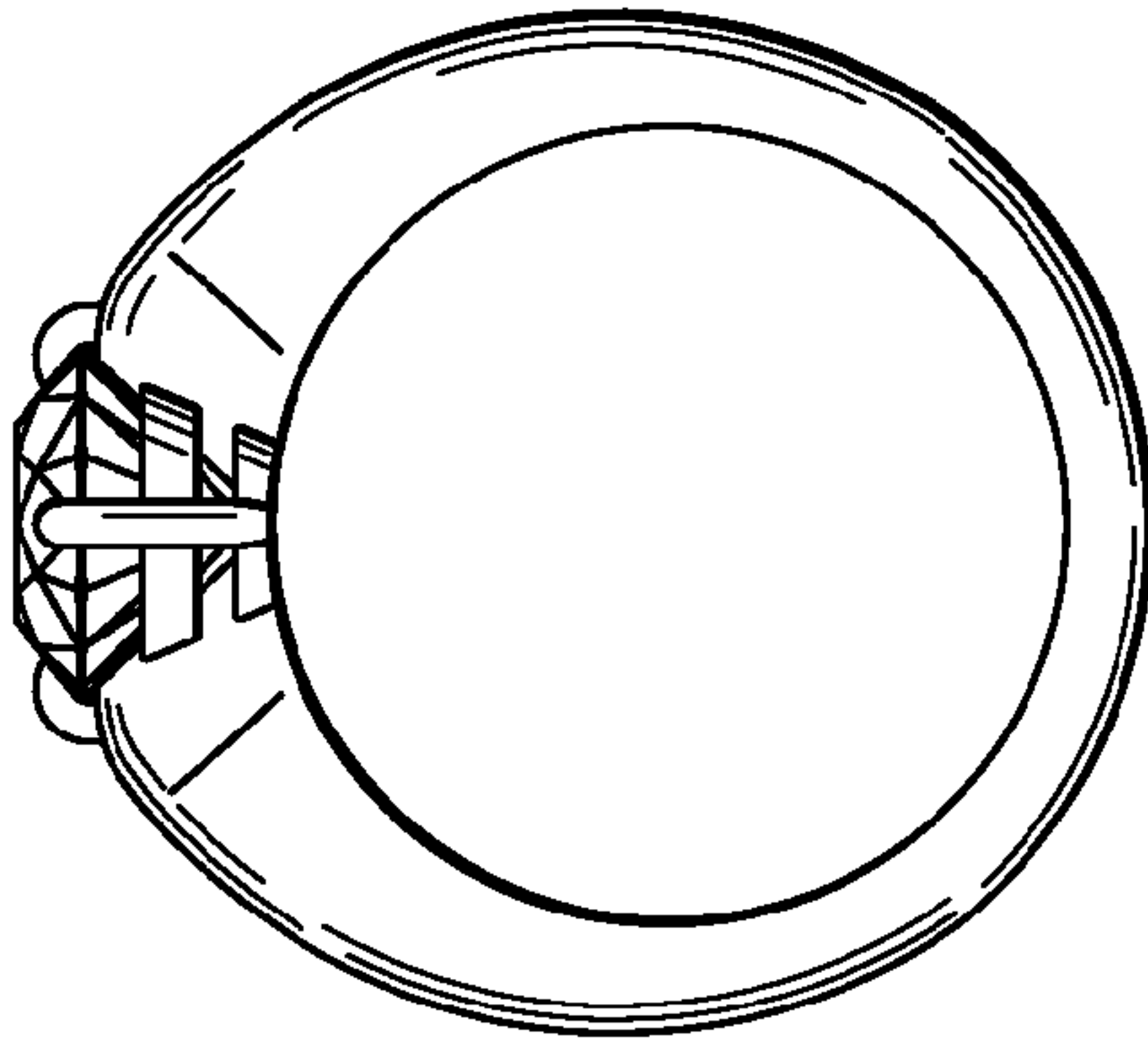


Fig. 7

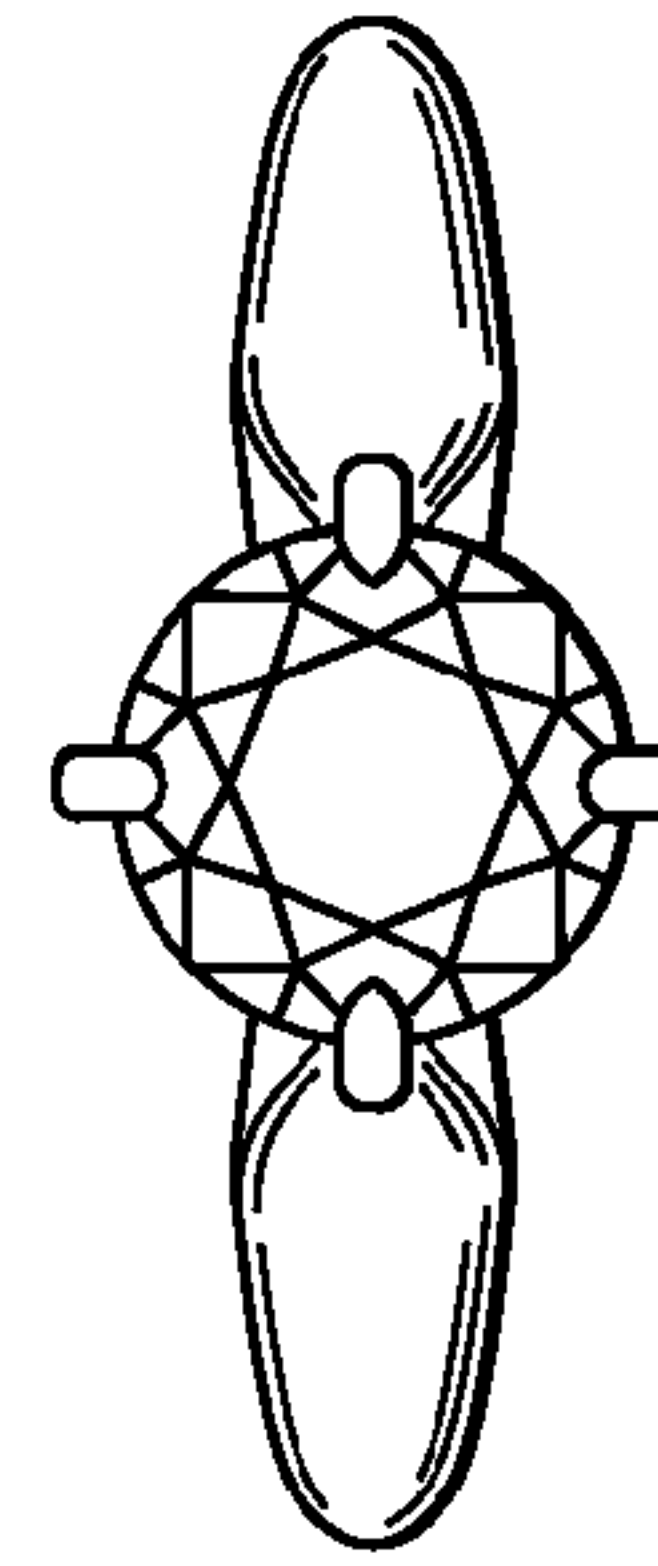


Fig. 8