

US00D579370S

(12) **United States Design Patent**
Lyons et al.

(10) **Patent No.:** **US D579,370 S**
(45) **Date of Patent:** **** Oct. 28, 2008**

(54) **WARNING LIGHT**

(75) Inventors: **Jon H. Lyons**, Haddam, CT (US);
William J. Pokorny, Haddam, CT (US)

(73) Assignee: **Whelen Engineering Company, Inc.**,
Chester, CT (US)

(**) Term: **14 Years**

(21) Appl. No.: **29/307,284**

(22) Filed: **Apr. 10, 2008**

(51) **LOC (8) Cl.** **10-05**

(52) **U.S. Cl.** **D10/114**

(58) **Field of Classification Search** D10/109,
D10/111, 114; D26/29-31, 60, 119, 120,
D26/28; 340/815.45, 908.1, 463; 362/311,
362/373, 35, 183, 200, 196, 191, 459, 460-463,
362/465, 485

See application file for complete search history.

(56) **References Cited**

U.S. PATENT DOCUMENTS

- D310,423 S * 9/1990 Iacovelli D26/35
- D346,233 S * 4/1994 Tsai D26/29
- D347,078 S * 5/1994 Lyons et al. D26/35
- D374,835 S * 10/1996 Wachter D10/114
- D399,325 S * 10/1998 Lyons et al. D26/28

- D516,930 S * 3/2006 Dicke et al. D10/114
- D524,673 S * 7/2006 Dicke et al. D10/114
- D569,015 S * 5/2008 Tsukui et al. D26/28

* cited by examiner

Primary Examiner—Robert M. Spear

Assistant Examiner—George D Kirschbaum

(74) *Attorney, Agent, or Firm*—Alix, Yale & Ristas, LLP

(57) **CLAIM**

The ornamental design for the warning light, as shown and described.

DESCRIPTION

FIG. 1 is a front perspective view of a warning light showing our new design;

FIG. 2 is a rear perspective view thereof;

FIG. 3 is a front view of thereof;

FIG. 4 is rear view thereof;

FIG. 5 is a right side view thereof;

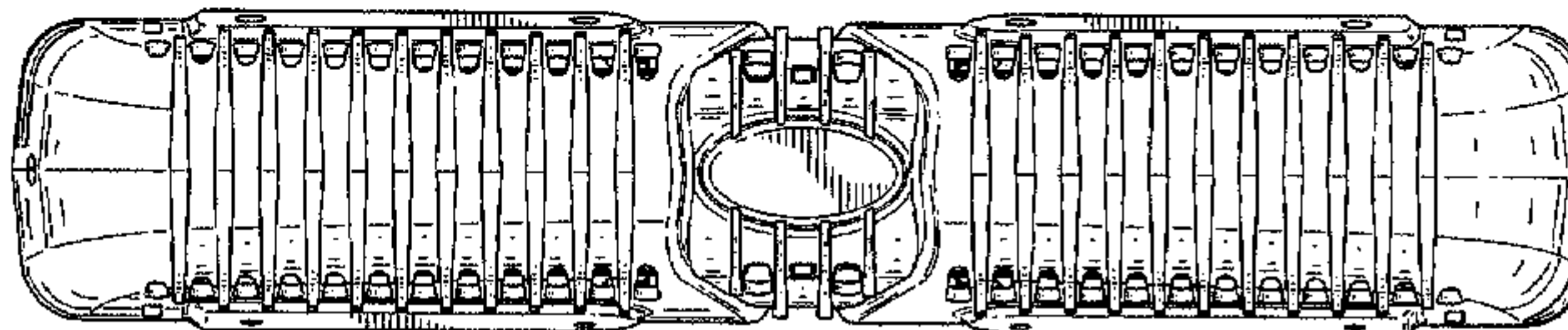
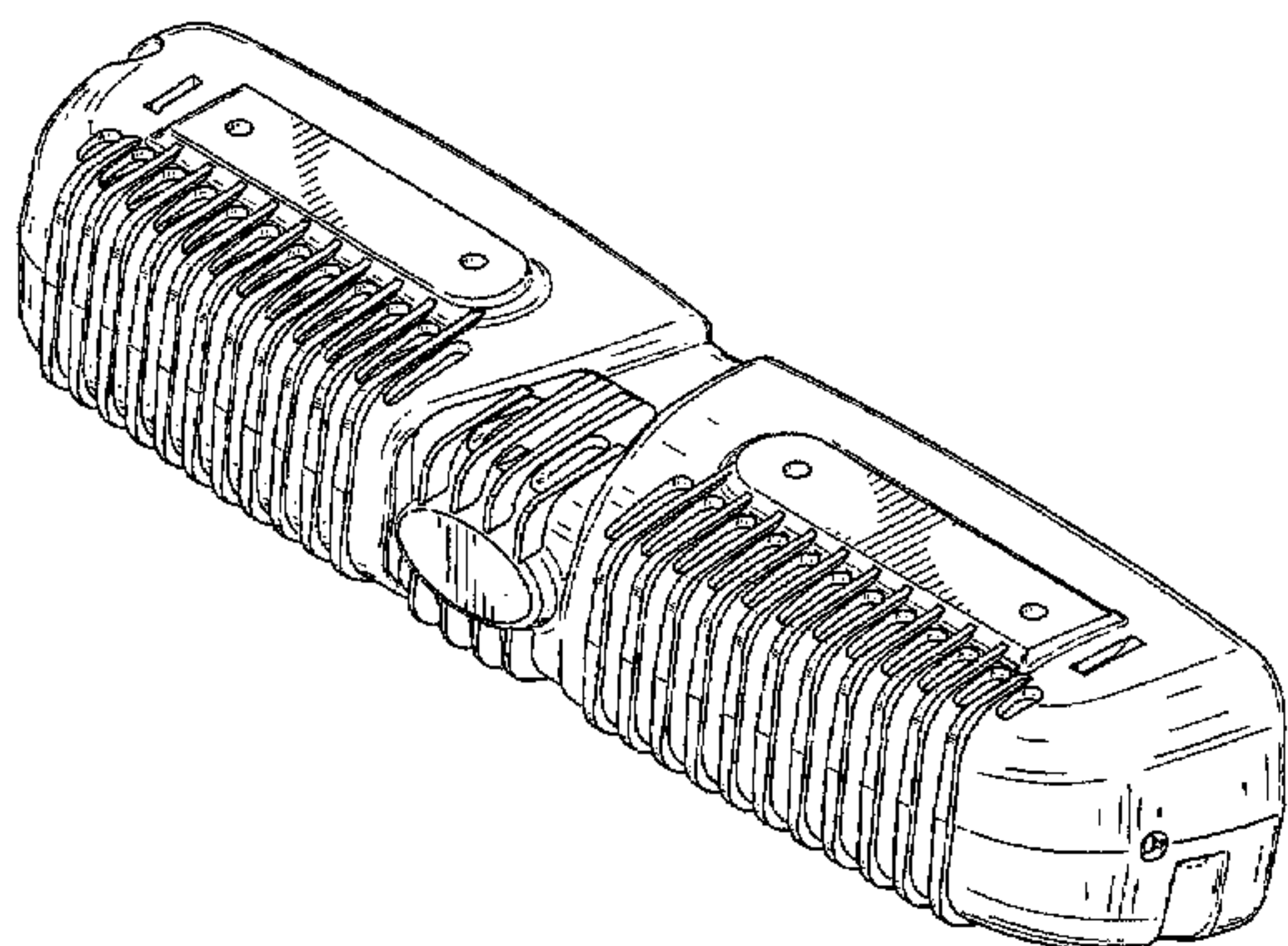
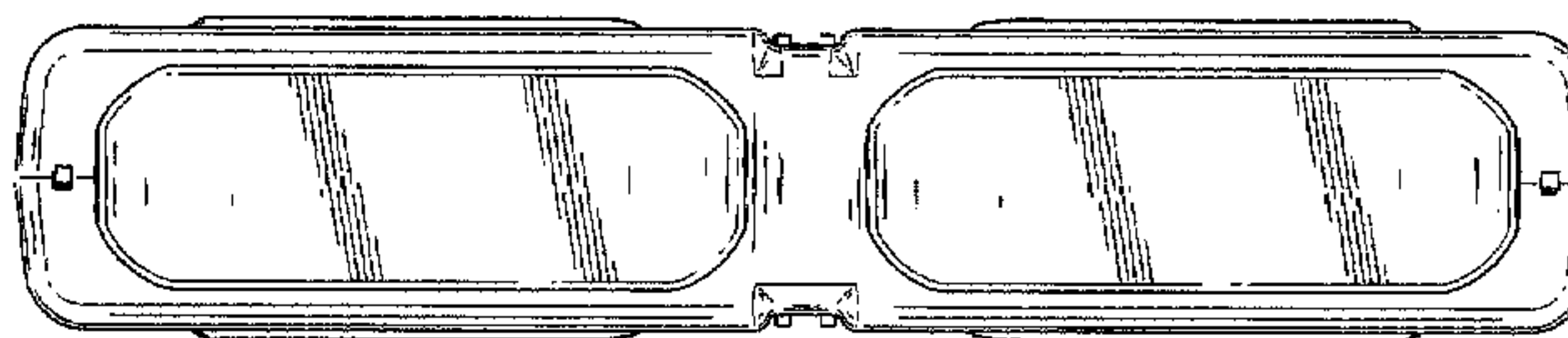
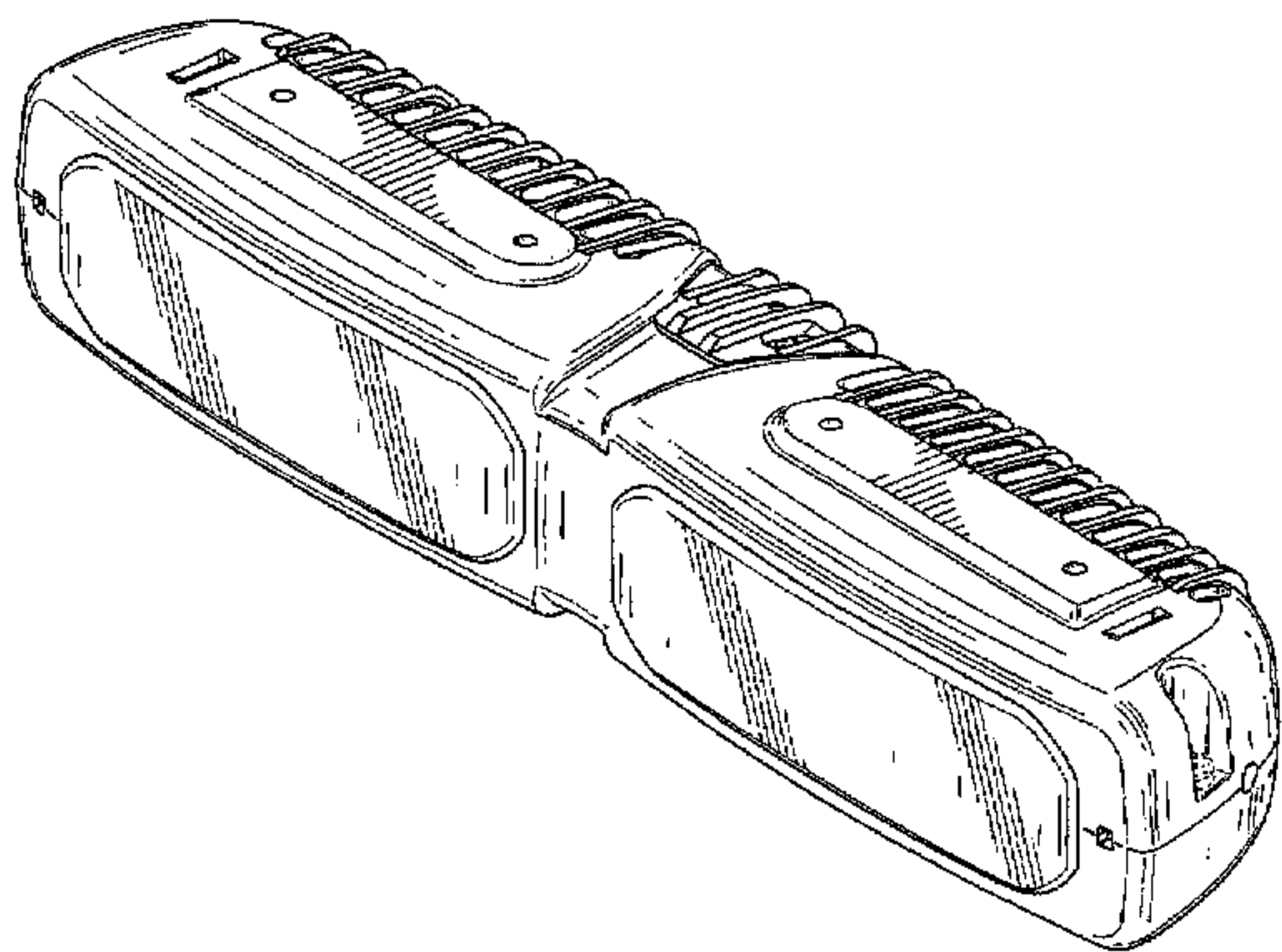
FIG. 6 is a left side view thereof;

FIG. 7 is a top plan view thereof; and,

FIG. 8 is a bottom plan view thereof.

The broken lines depict unclaimed environmental subject matter.

1 Claim, 7 Drawing Sheets



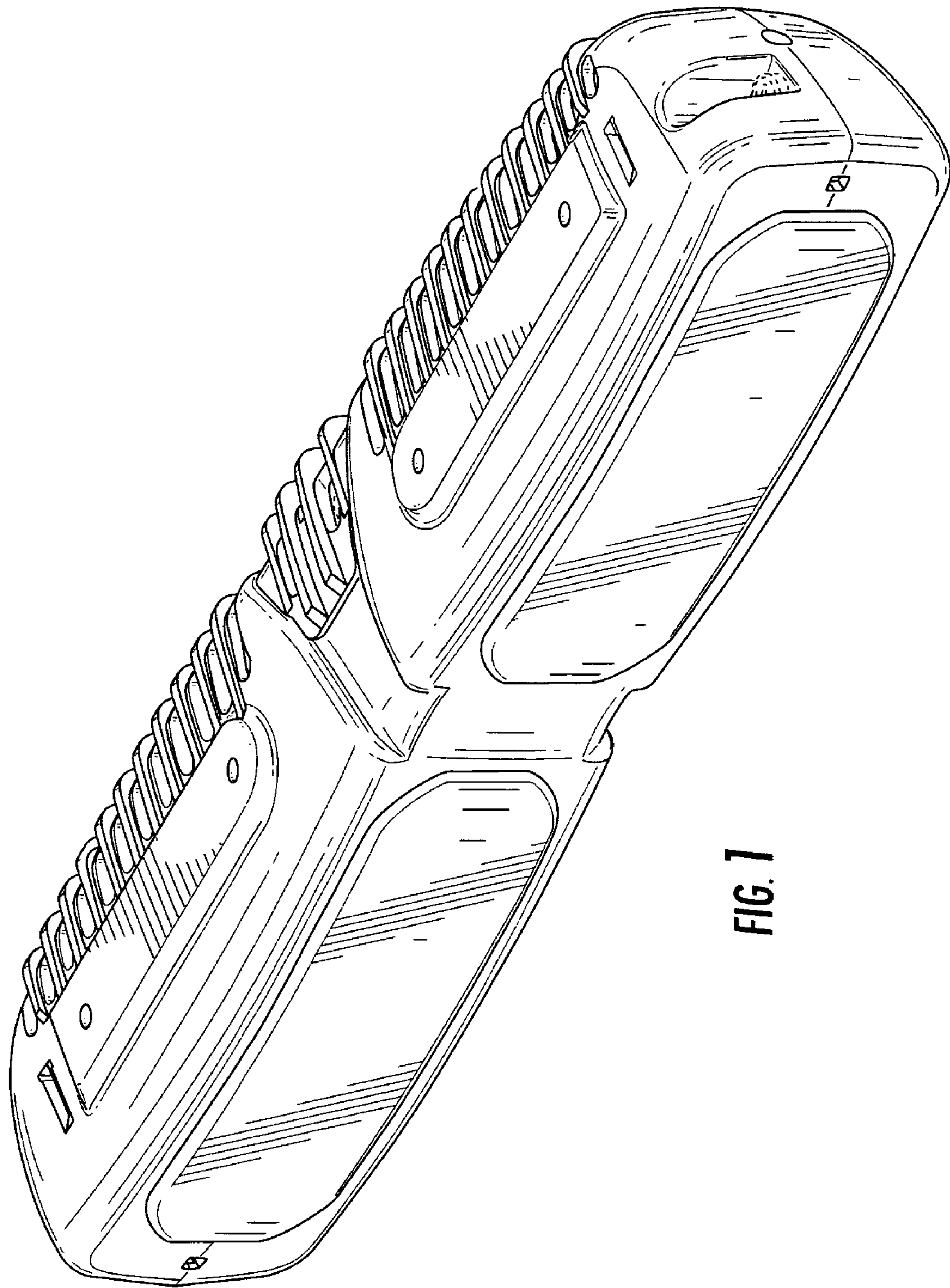


FIG. 7

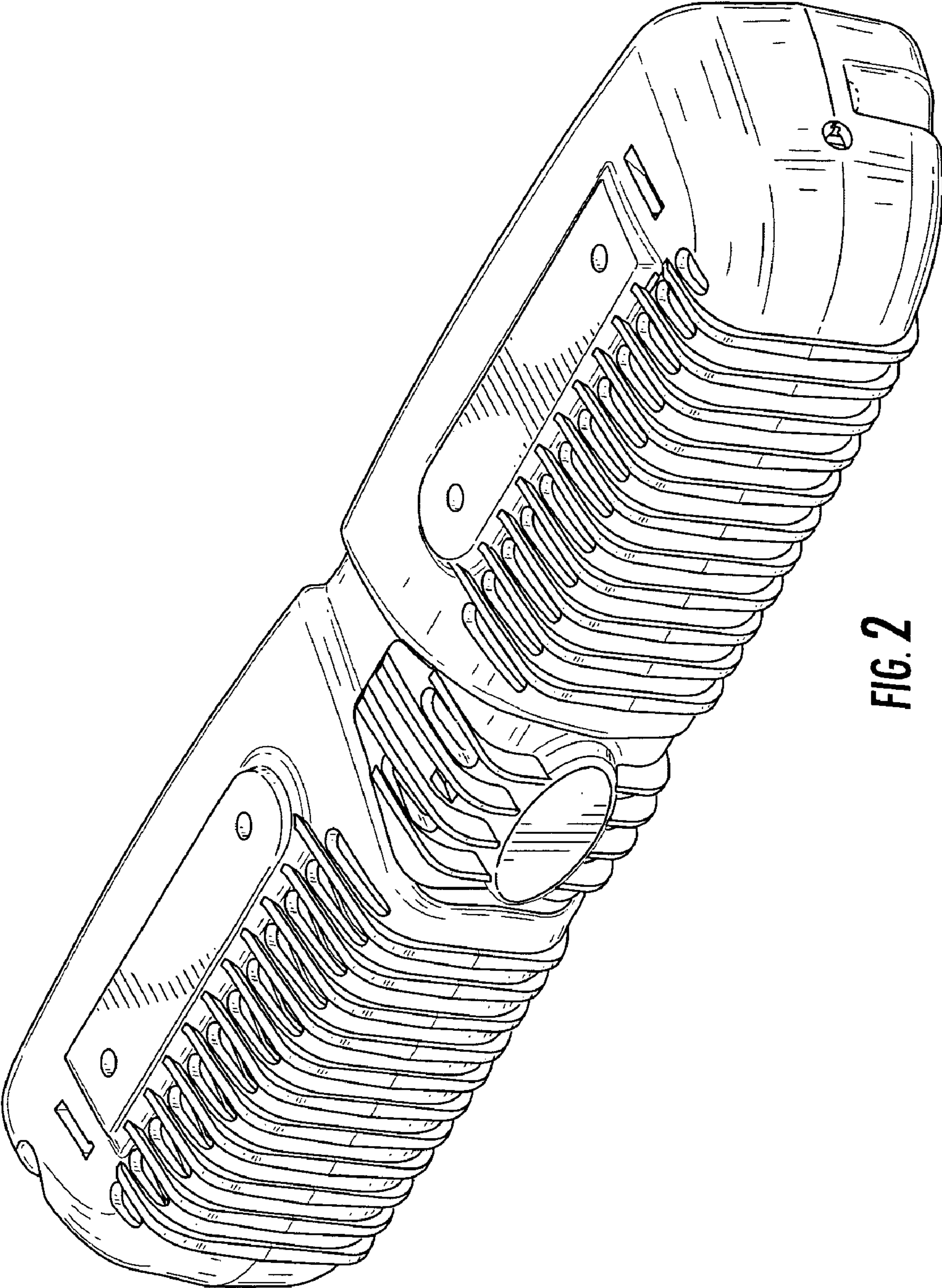


FIG. 2

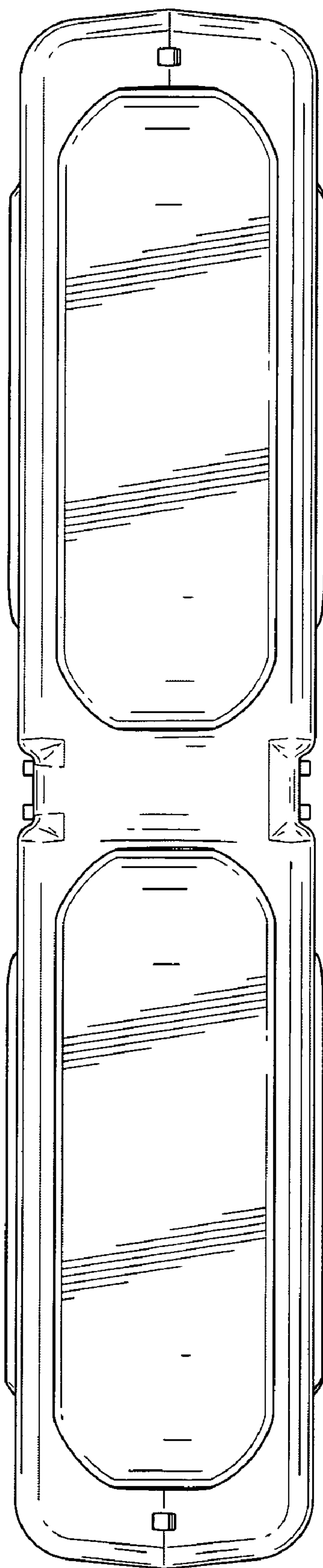


FIG. 3

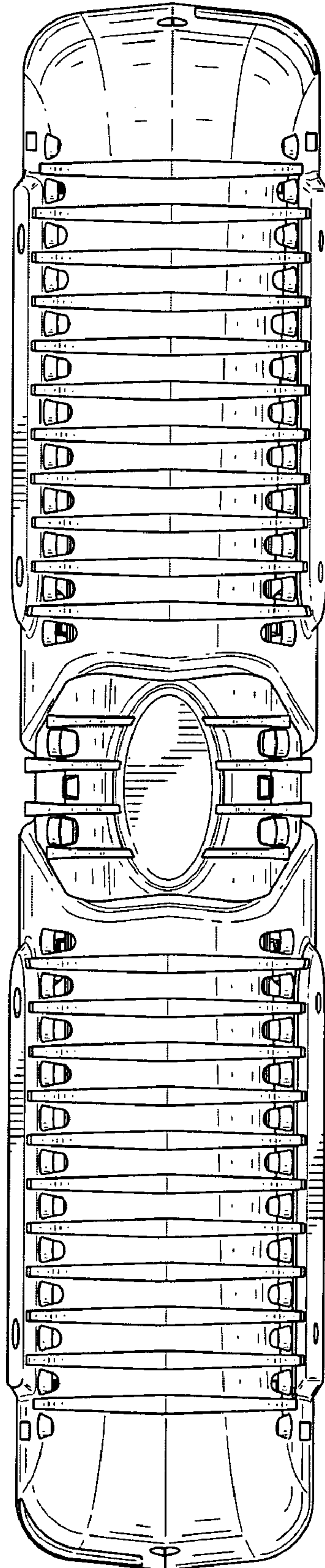


FIG. 4

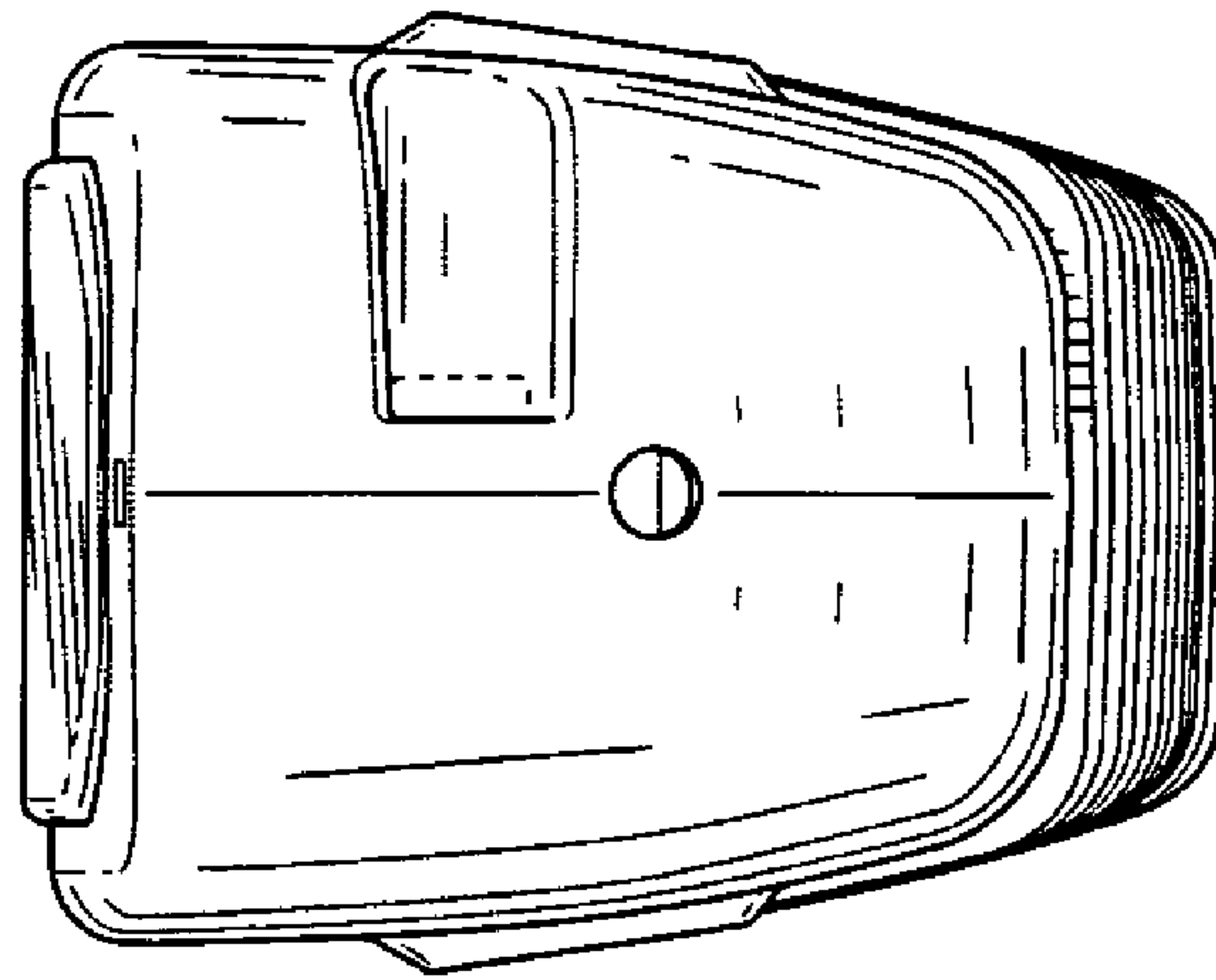


FIG. 5

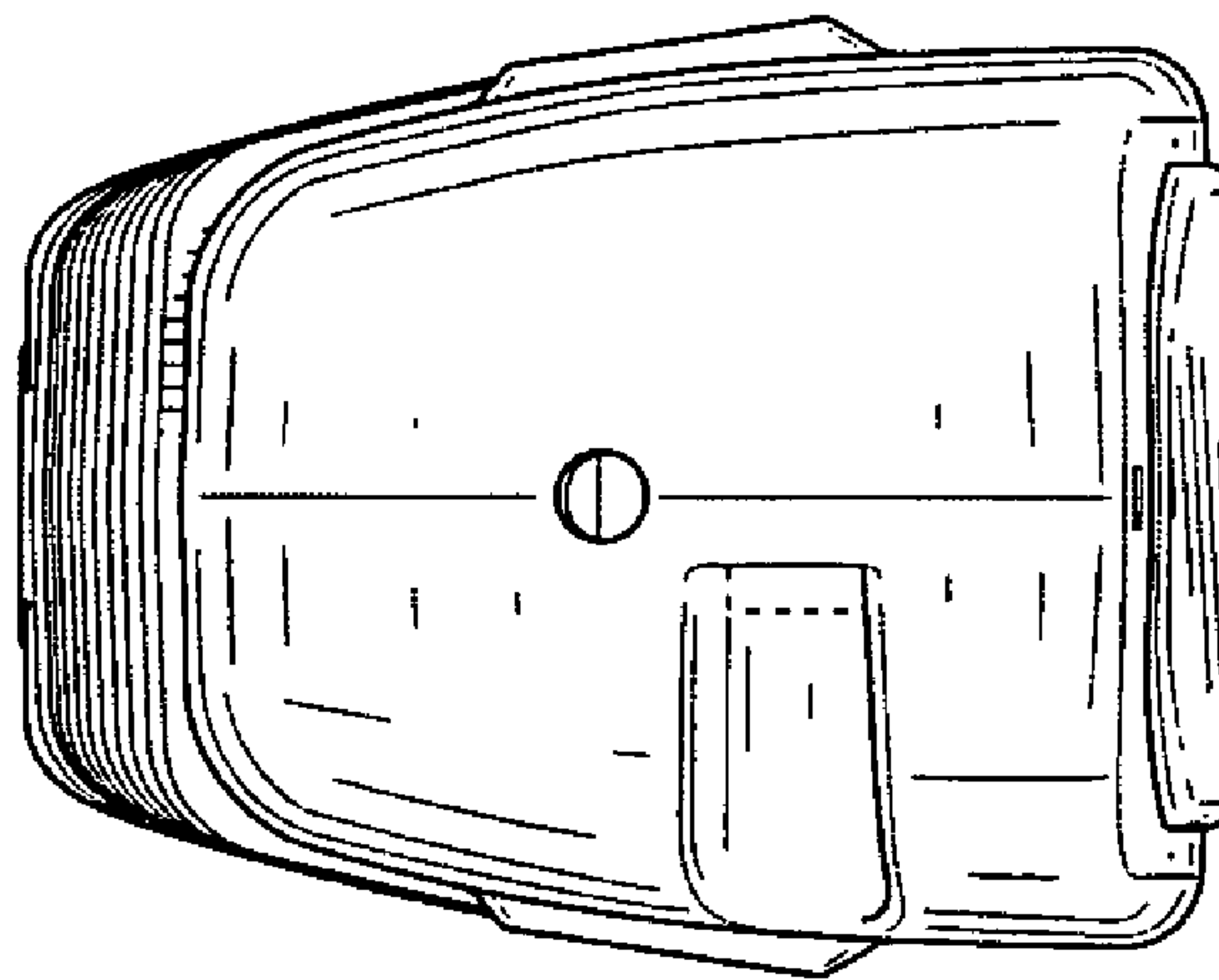


FIG. 6

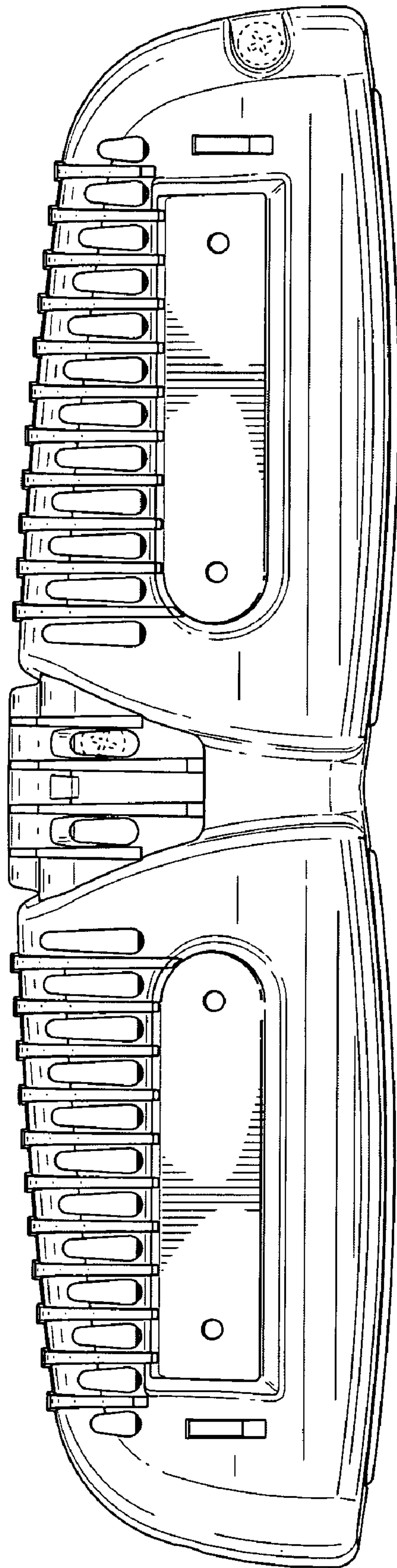


FIG. 7

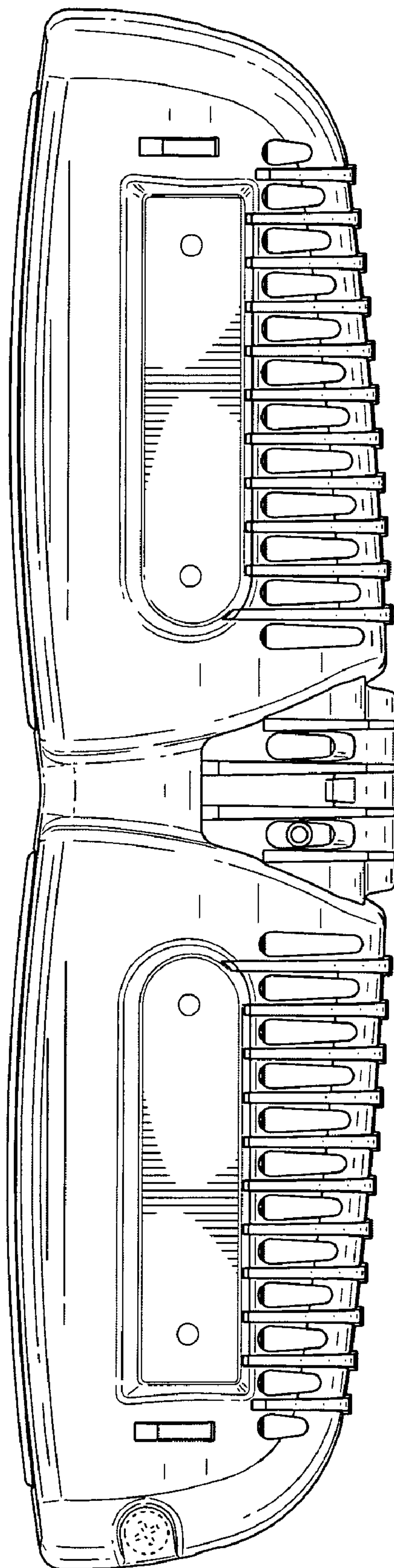


FIG. 8