



US00D579365S

(12) **United States Design Patent**
Kitamura

(10) **Patent No.:** **US D579,365 S**

(45) **Date of Patent:** **** Oct. 28, 2008**

(54) **SCALE**

(75) **Inventor:** **Hanae Kitamura**, Tokyo (JP)

(73) **Assignee:** **Tanita Corporation**, Tokyo (JP)

(**) **Term:** **14 Years**

(21) **Appl. No.:** **29/293,391**

(22) **Filed:** **Nov. 20, 2007**

(30) **Foreign Application Priority Data**

May 23, 2007 (JP) 2007-013646

(51) **LOC (8) Cl.** **10-04**

(52) **U.S. Cl.** **D10/92**

(58) **Field of Classification Search** D10/92,
D10/94; 177/211, 239-245, 25.13-25.18,
177/177, 199, 210 C, 210 R, DIG. 3, 262,
177/4, 30, 126-127; 600/506, 547

See application file for complete search history.

(56) **References Cited**

U.S. PATENT DOCUMENTS

D538,190 S * 3/2007 Aglassinger D10/92
D550,575 S * 9/2007 Petrucelli et al. D10/92

* cited by examiner

Primary Examiner—Antoine D Davis

(74) *Attorney, Agent, or Firm*—Frishauf, Holtz, Goodman & Chick, P.C.

(57) **CLAIM**

The ornamental design for a scale, as shown and described.

DESCRIPTION

FIG. 1 is a front, right side, bottom perspective view of a scale showing my new design;

FIG. 2 is a front elevational view thereof;

FIG. 3 is a rear elevational view thereof;

FIG. 4 is a left side view thereof;

FIG. 5 is a right side view thereof;

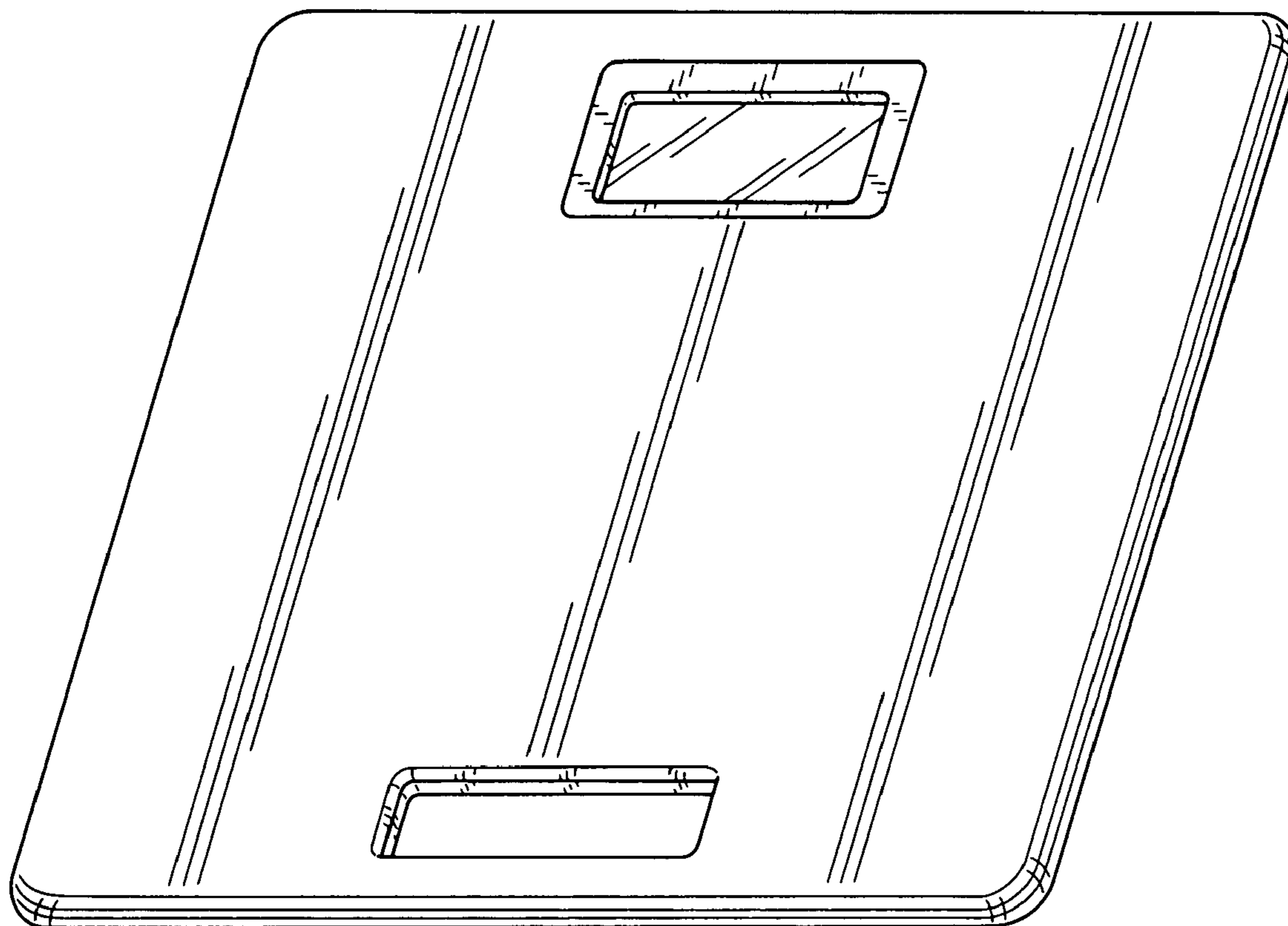
FIG. 6 is a top plan view thereof;

FIG. 7 is a bottom plan view thereof;

FIG. 8 is a reference front elevational view thereof showing a state in which this article is electrified; and,

FIG. 9 is an enlarged cross sectional view thereof, taken along line 9—9 of FIG. 8.

1 Claim, 8 Drawing Sheets



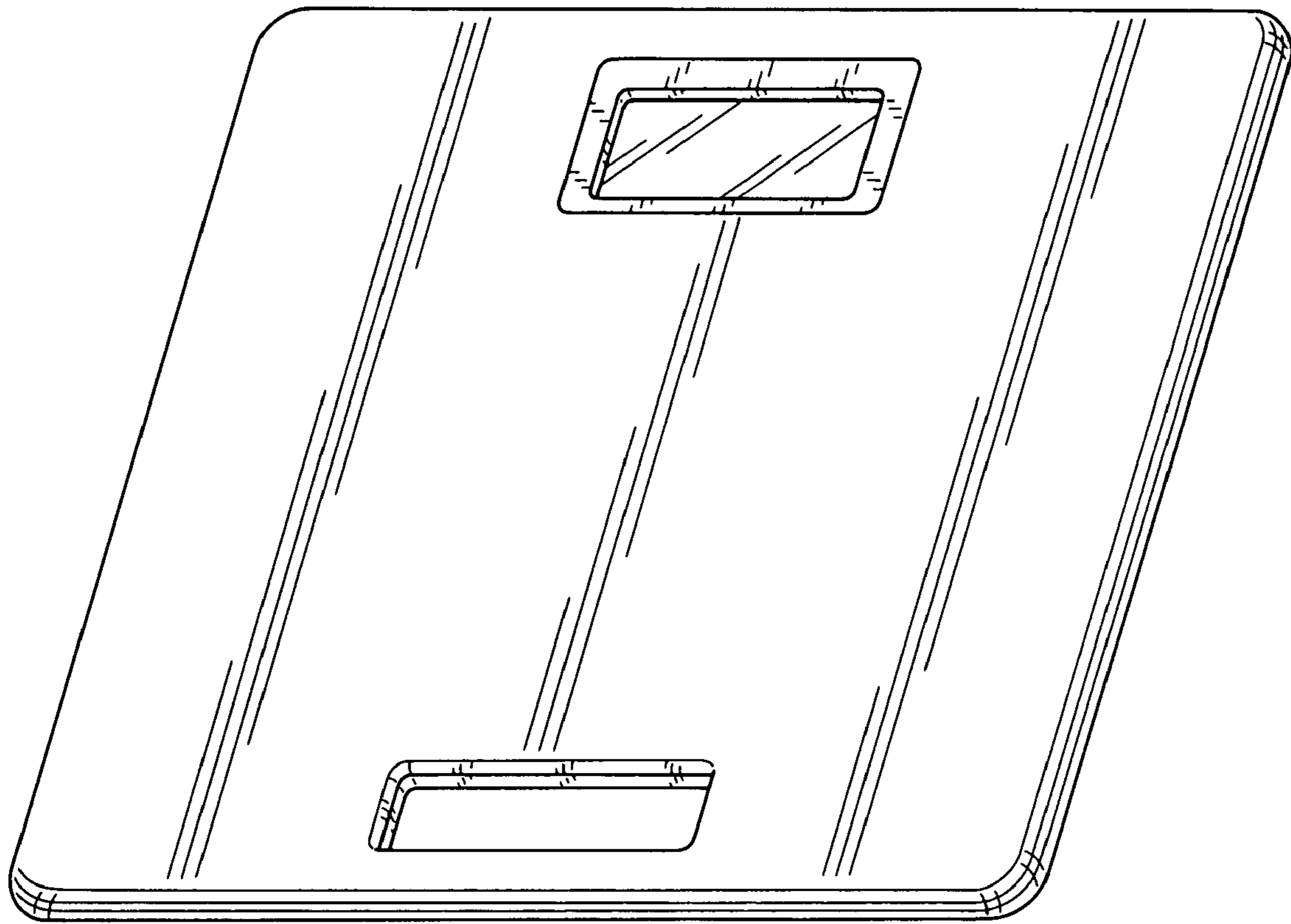


FIG. 1

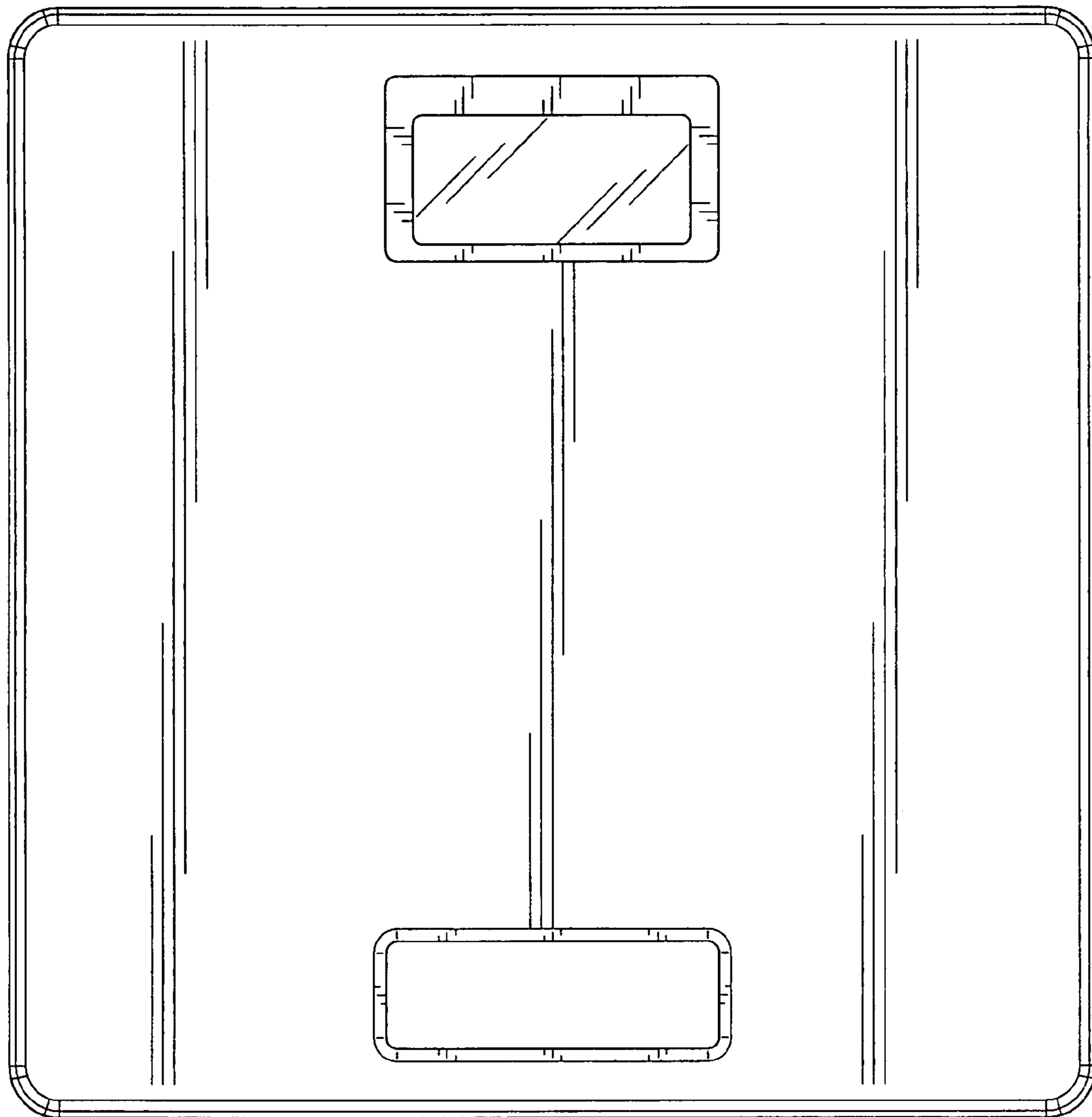


FIG. 2

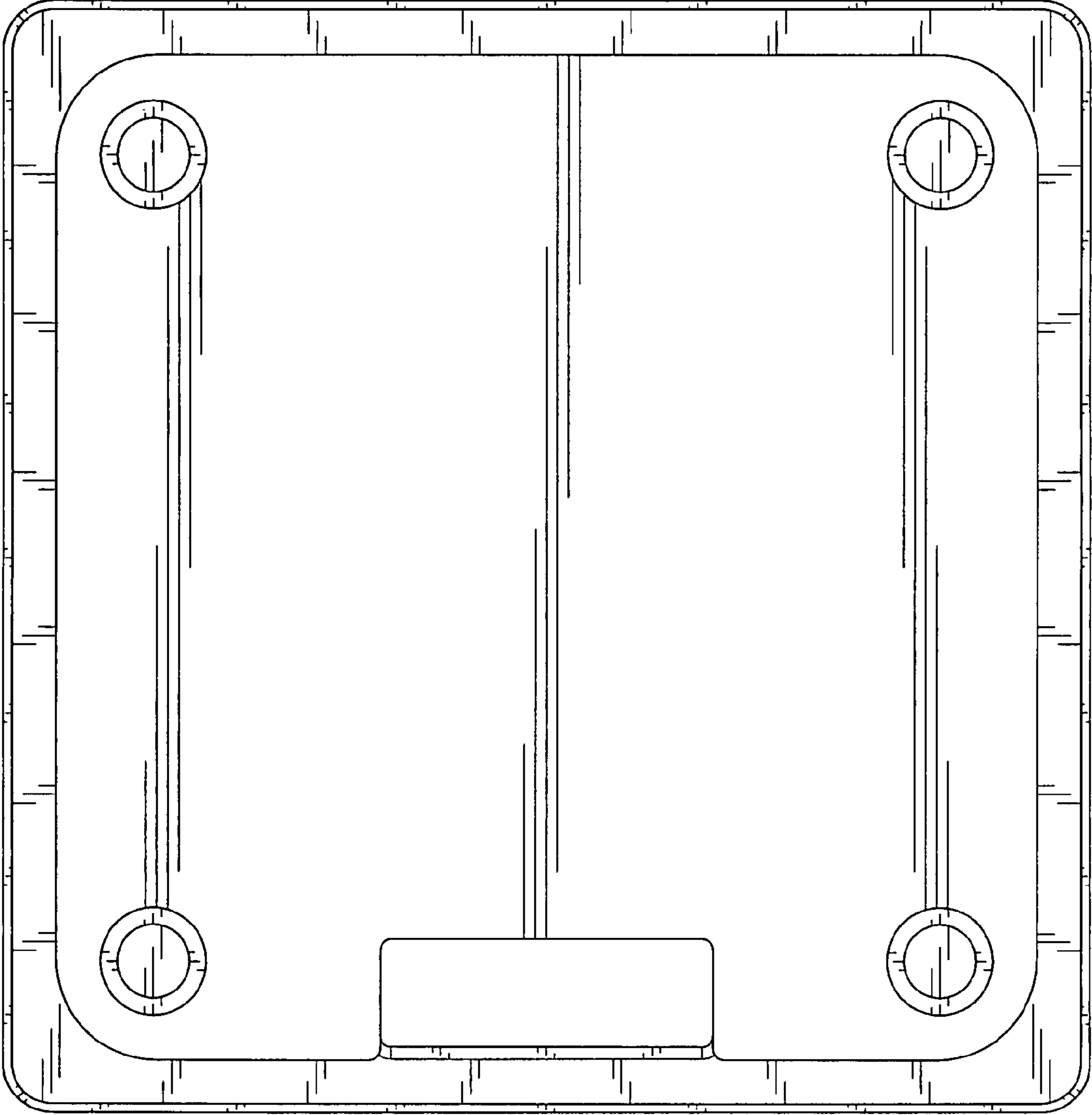


FIG. 3



FIG. 4

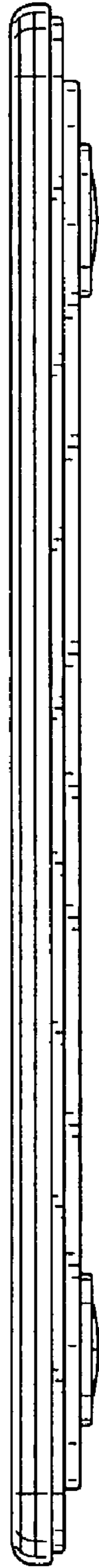


FIG. 5

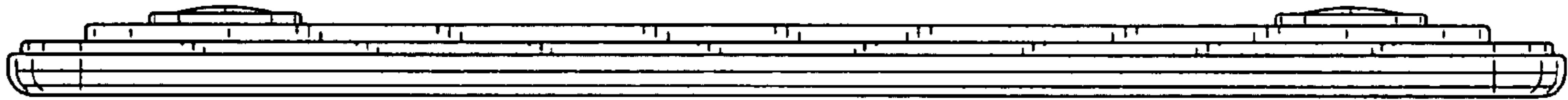


FIG. 6

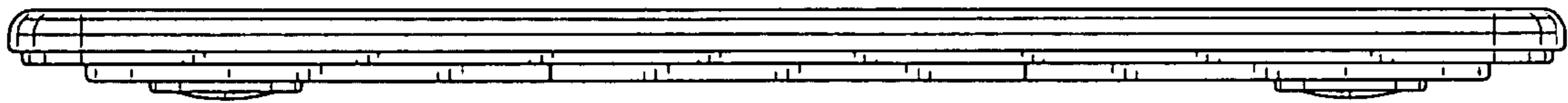


FIG. 7

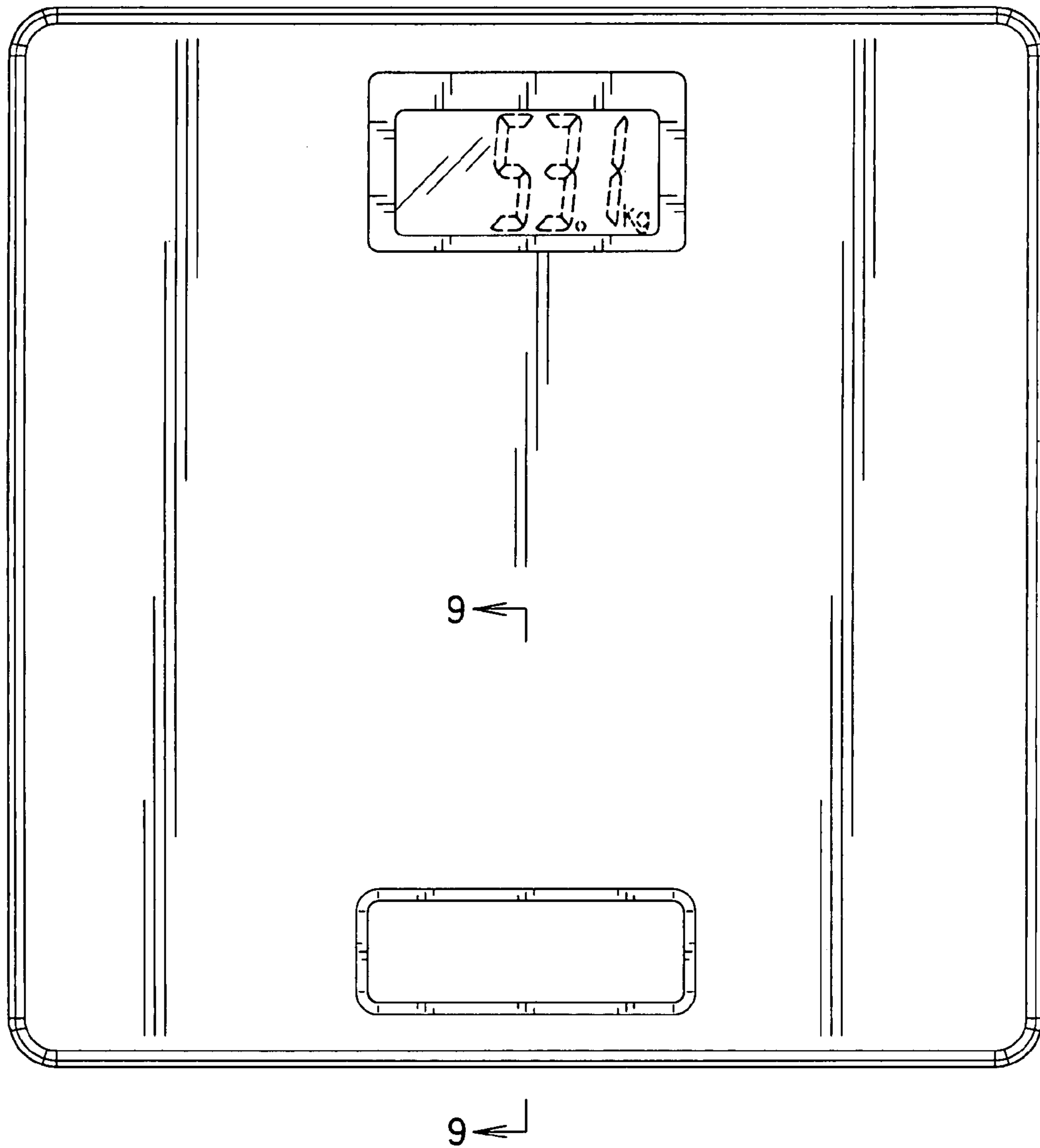


FIG. 8

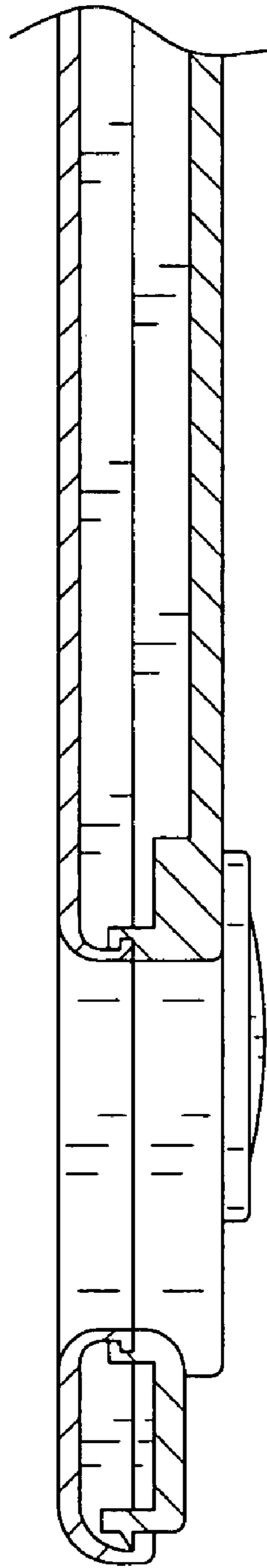


FIG. 9