



US00D579360S

(12) **United States Design Patent**
Crain et al.

(10) **Patent No.:** **US D579,360 S**
(45) **Date of Patent:** **** Oct. 28, 2008**

(54) **ELONGATED LEVEL VIAL SUPPORT FOR A POLE**

DESCRIPTION

(75) Inventors: **Stephen B. Crain**, Cape Girardeau, MO (US); **Clinton J. Mize**, Jonesboro, IL (US); **Ralph C. Mize**, Jonesboro, IL (US)

This application contains subject matter in common with co-assigned, co-pending U.S. patent application Ser. No. 11/966,441 filed simultaneously herewith and entitled Level Vial Support for a Geomatics Pole, the entire disclosure of which is hereby incorporated by reference.

(73) Assignee: **Crain Enterprises, Inc.**, Mound City, IL (US)

FIG. 1 is a perspective view of a first embodiment of an elongate level vial support for holding a level vial and for attaching to a pole, the level vial not being shown, the level vial support being shown attached to a fragmentary portion of the pole;

(**) Term: **14 Years**

(21) Appl. No.: **29/299,564**

FIG. 2 is a left side elevational view thereof;

(22) Filed: **Dec. 28, 2007**

FIG. 3 is a front side elevational view thereof;

(51) **LOC (8) Cl.** **10-04**

FIG. 4 is a top plan view thereof;

(52) **U.S. Cl.** **D10/74**

FIG. 5 is a right side elevational view thereof;

(58) **Field of Classification Search** D10/69, D10/74; D8/349, 354, 373, 380, 395, 396; 33/373; 248/156.1, 163.1, 166, 176.1, 309.1; 403/170, 300

FIG. 6 is a back side elevational view thereof; and

FIG. 7 is a bottom plan view thereof.

See application file for complete search history.

FIG. 8 is a perspective view of a second embodiment of an elongate level vial support for holding a level vial, a shoe, and tools (all shown in phantom) and for attaching to a pole, the level vial support being shown attached to a fragmentary portion of the pole;

(56) **References Cited**

U.S. PATENT DOCUMENTS

6,667,010	B2 *	12/2003	Kuchar	248/315
2003/0226941	A1	12/2003	Crain		
2003/0235459	A1	12/2003	Crain		
2005/0151035	A1	7/2005	Crain		
2006/0231714	A1	10/2006	Crain		
2006/0233601	A1	10/2006	Crain		
2006/0255219	A1 *	11/2006	Wang	248/176.1

FIG. 9 is a left side elevational view thereof, the elongate level vial support capable of stowing a stylus, a tail end of the stylus being shown in phantom, the shoe being shown in phantom;

FIG. 10 is a front side elevational view thereof, the shoe being shown in phantom;

* cited by examiner

FIG. 11 is a plan view thereof, the level vial shown in phantom;

FIG. 12 is a right side elevational view thereof, the elongate level vial support capable of stowing a hex wrench, a tail end of the hex wrench being shown in phantom;

Primary Examiner—Antoine D Davis

(74) *Attorney, Agent, or Firm*—Senniger Powers LLP

FIG. 13 is a back side elevational view thereof; and,

(57) **CLAIM**

FIG. 14 is a bottom plan view thereof.

The ornamental design for a elongated level vial support for a pole, as shown and described.

The phantom lines in the drawings indicate environmental structure that forms no part of the claimed design.

1 Claim, 14 Drawing Sheets

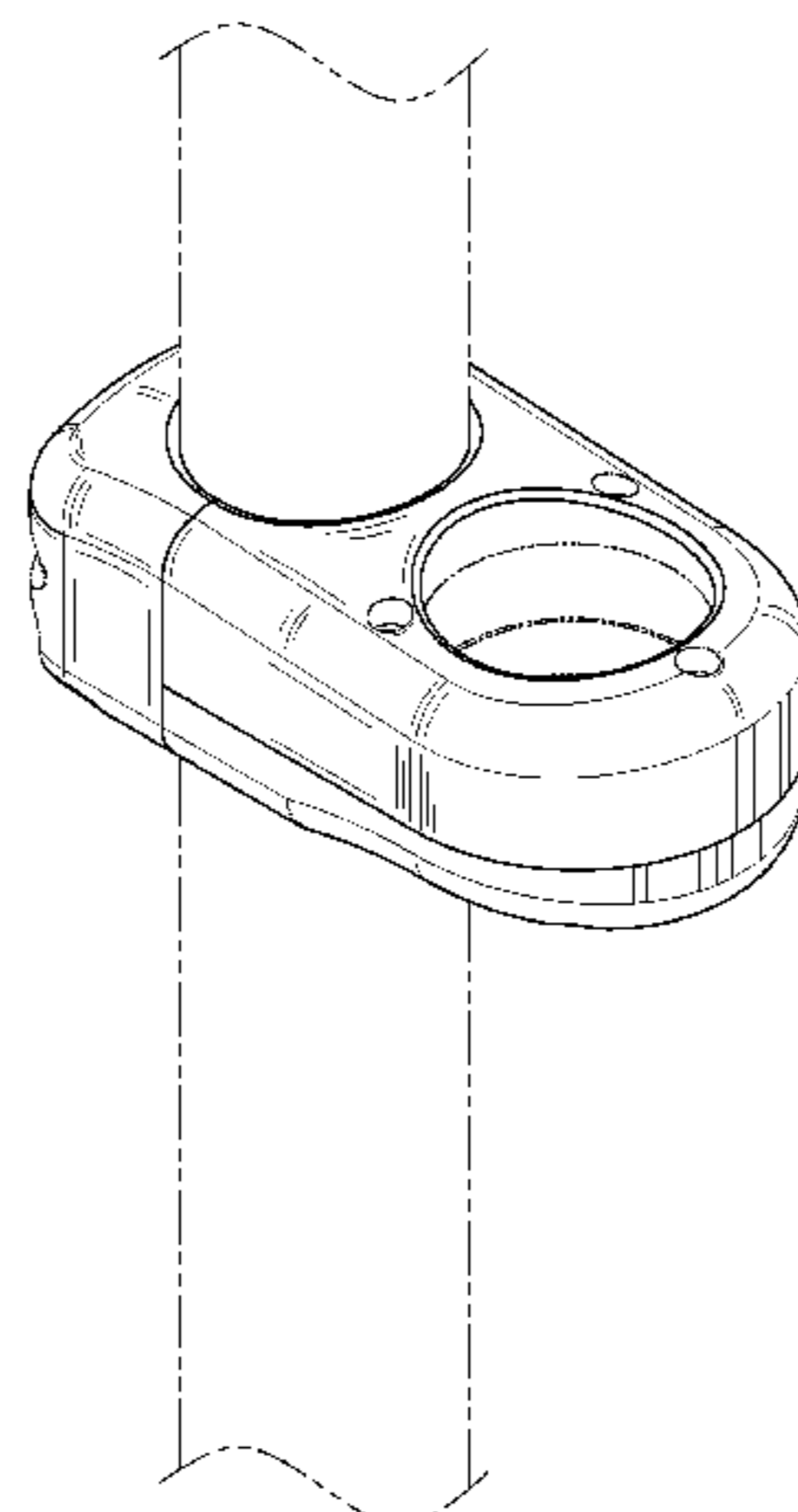


FIG. 1

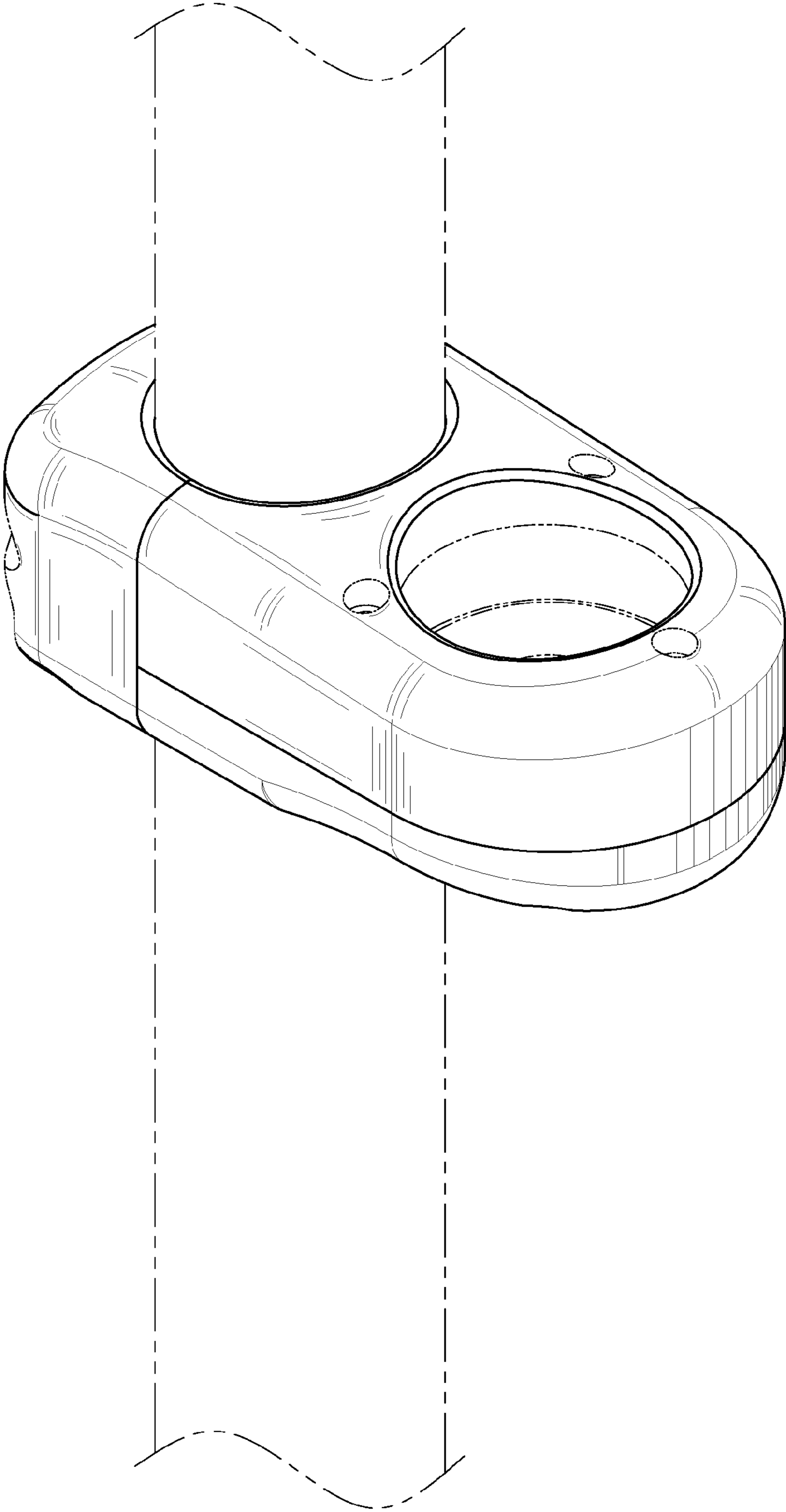


FIG. 2

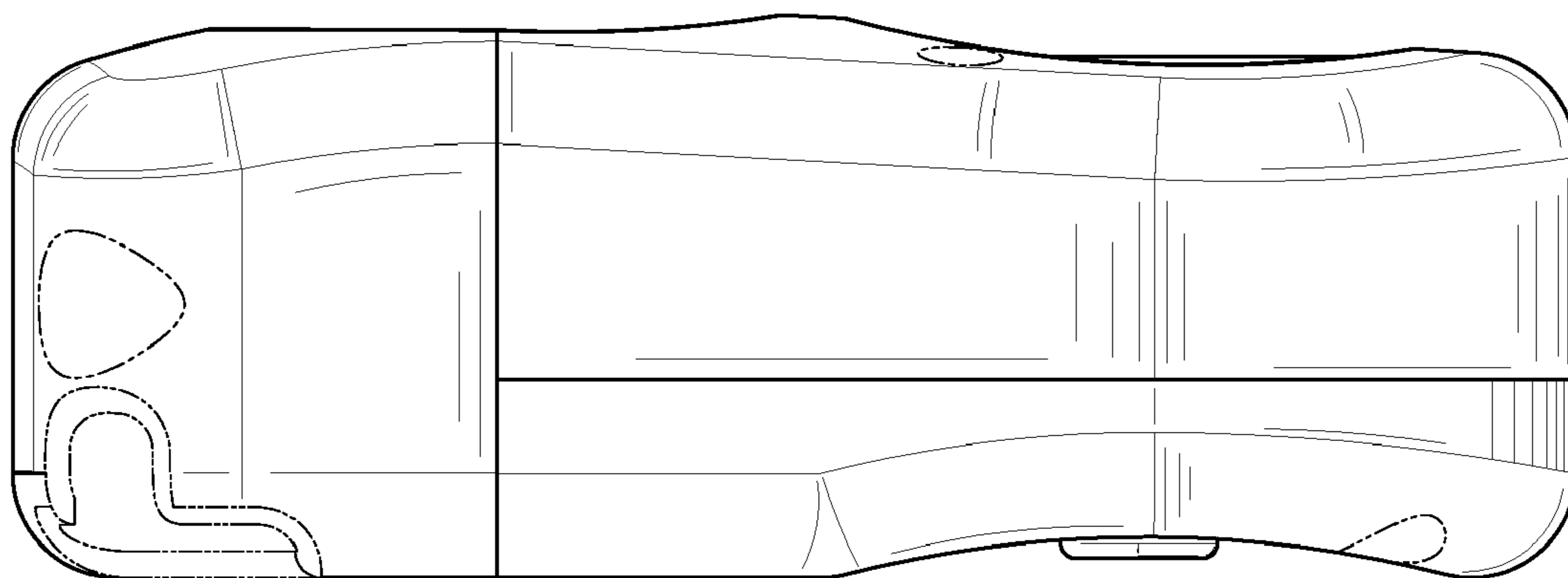


FIG. 3

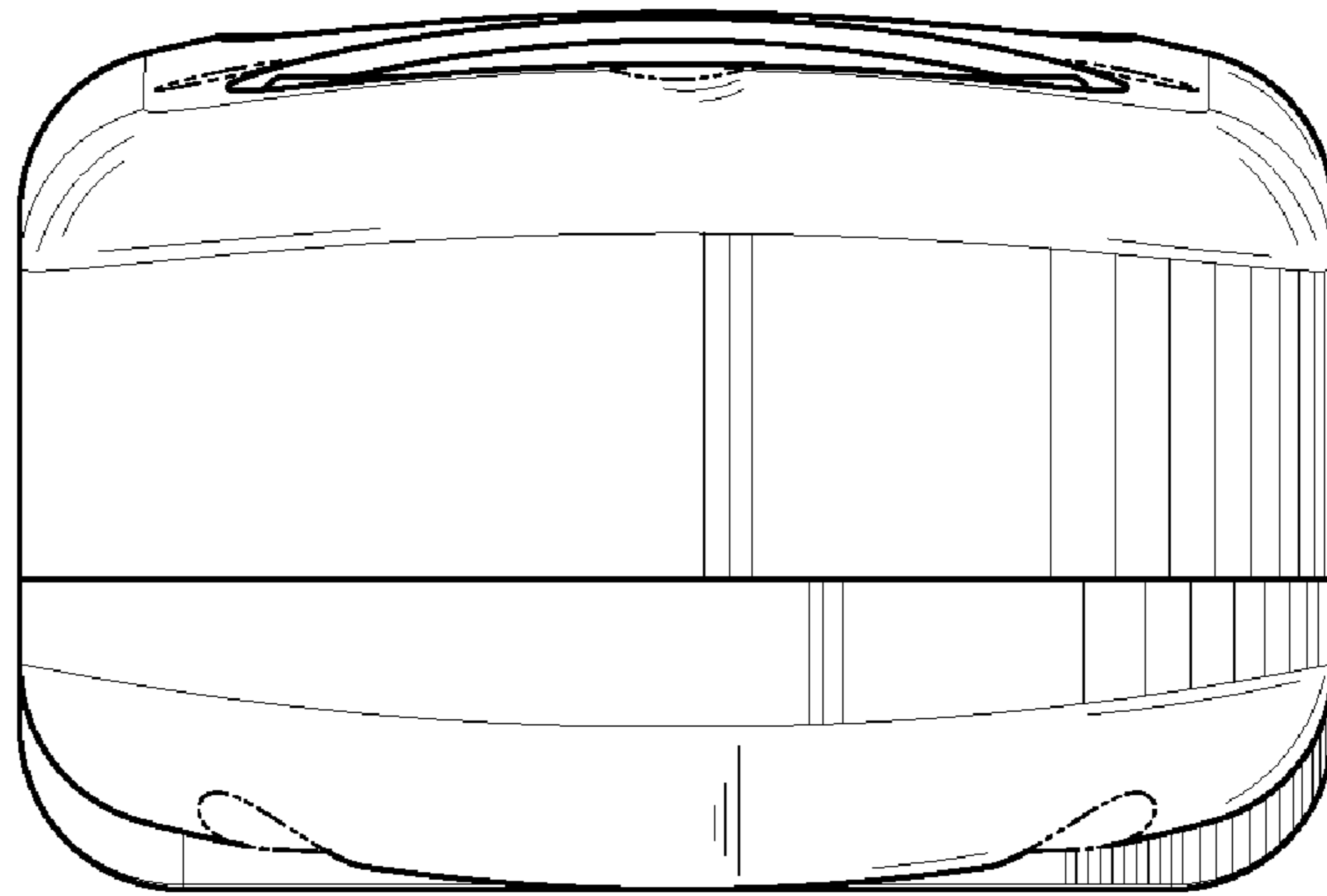


FIG. 4

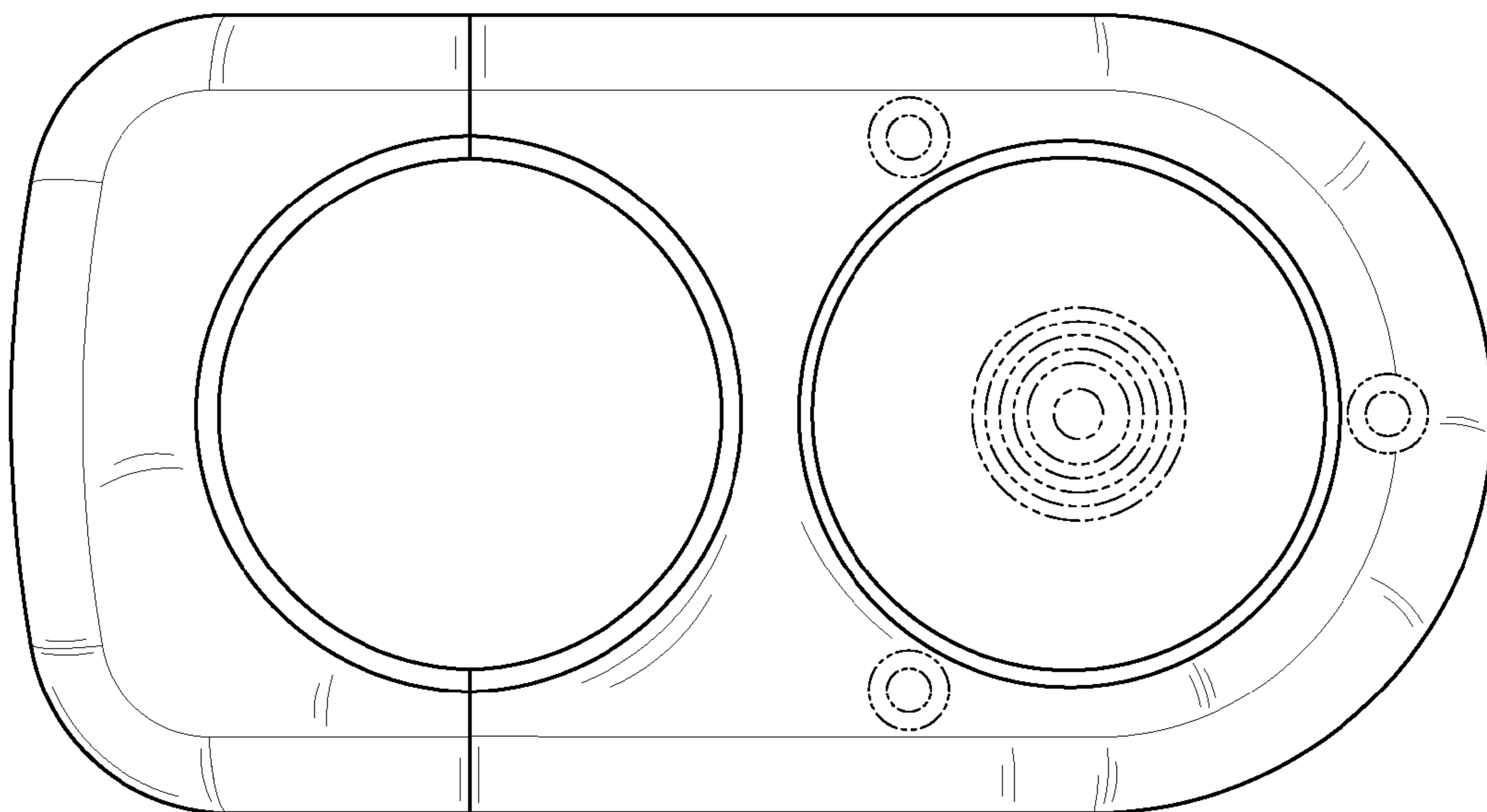


FIG. 5

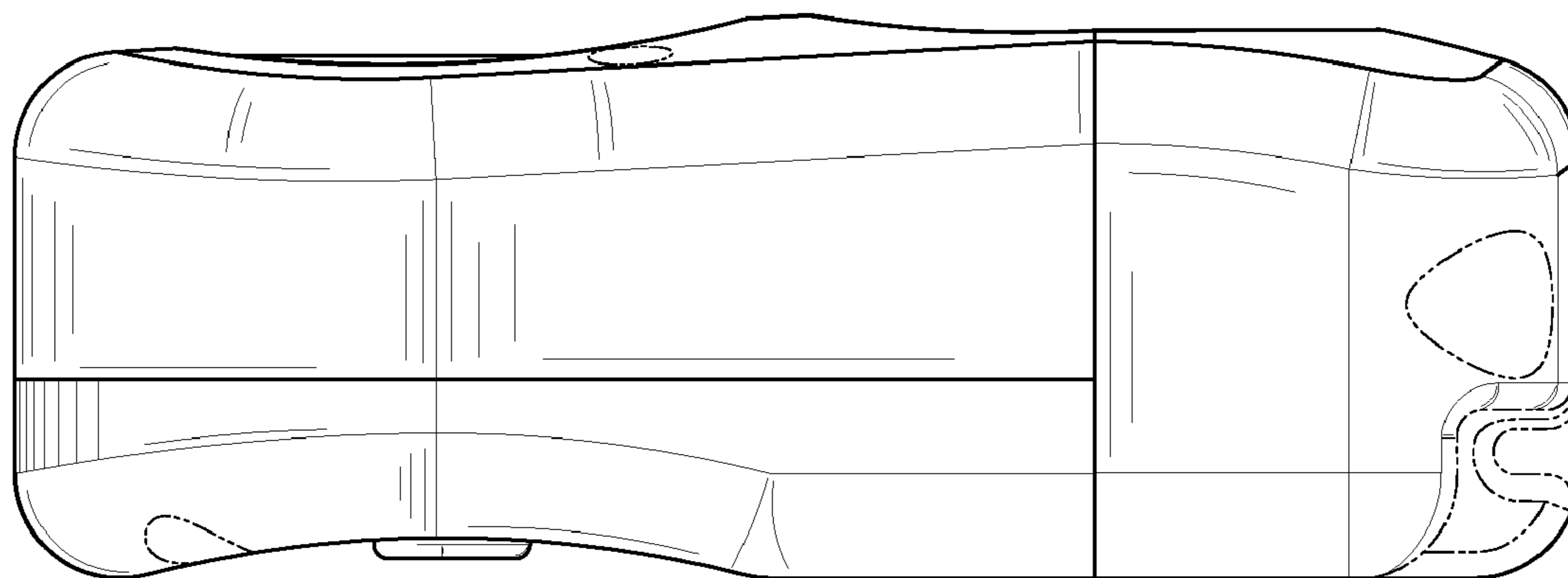


FIG. 6

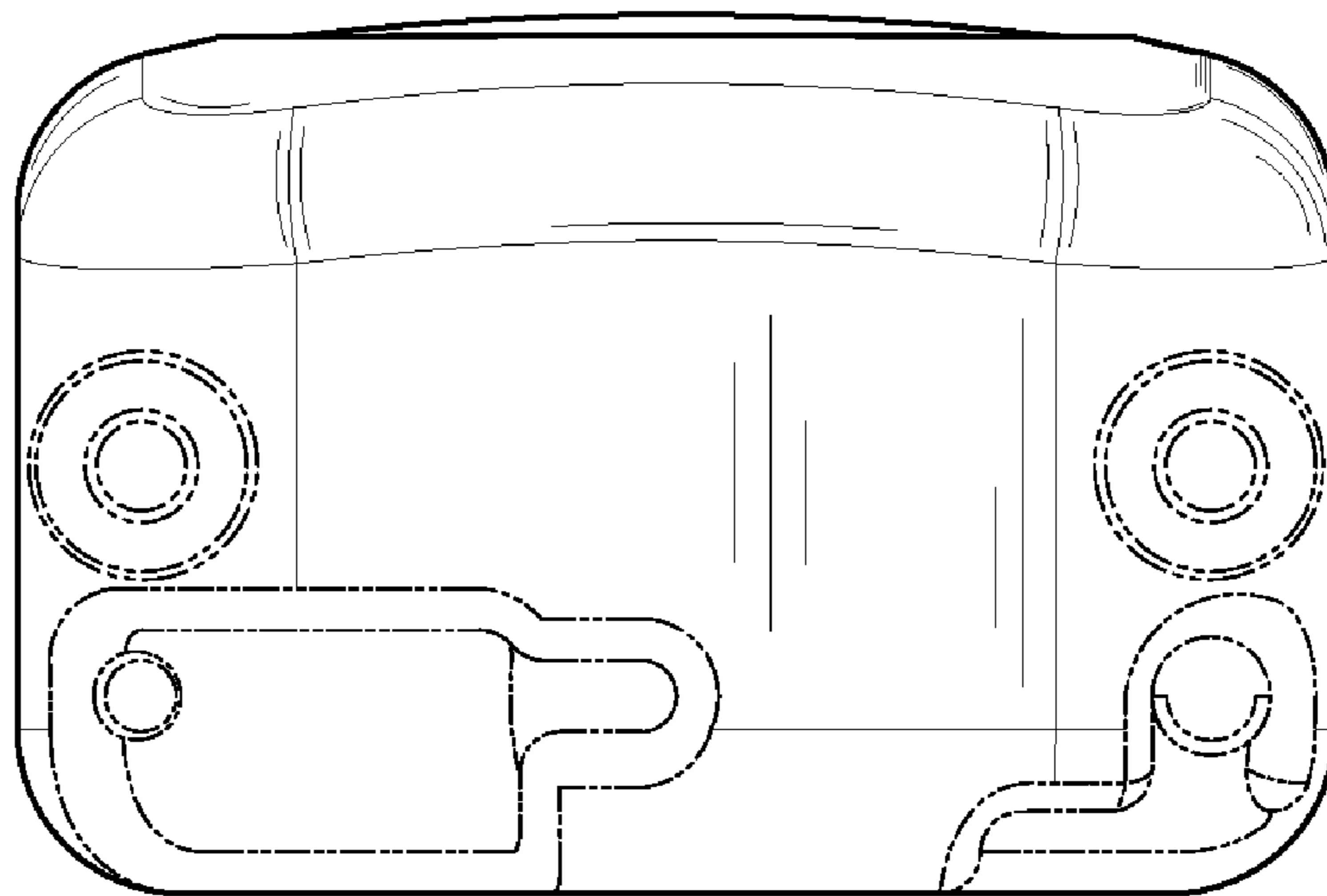


FIG. 7

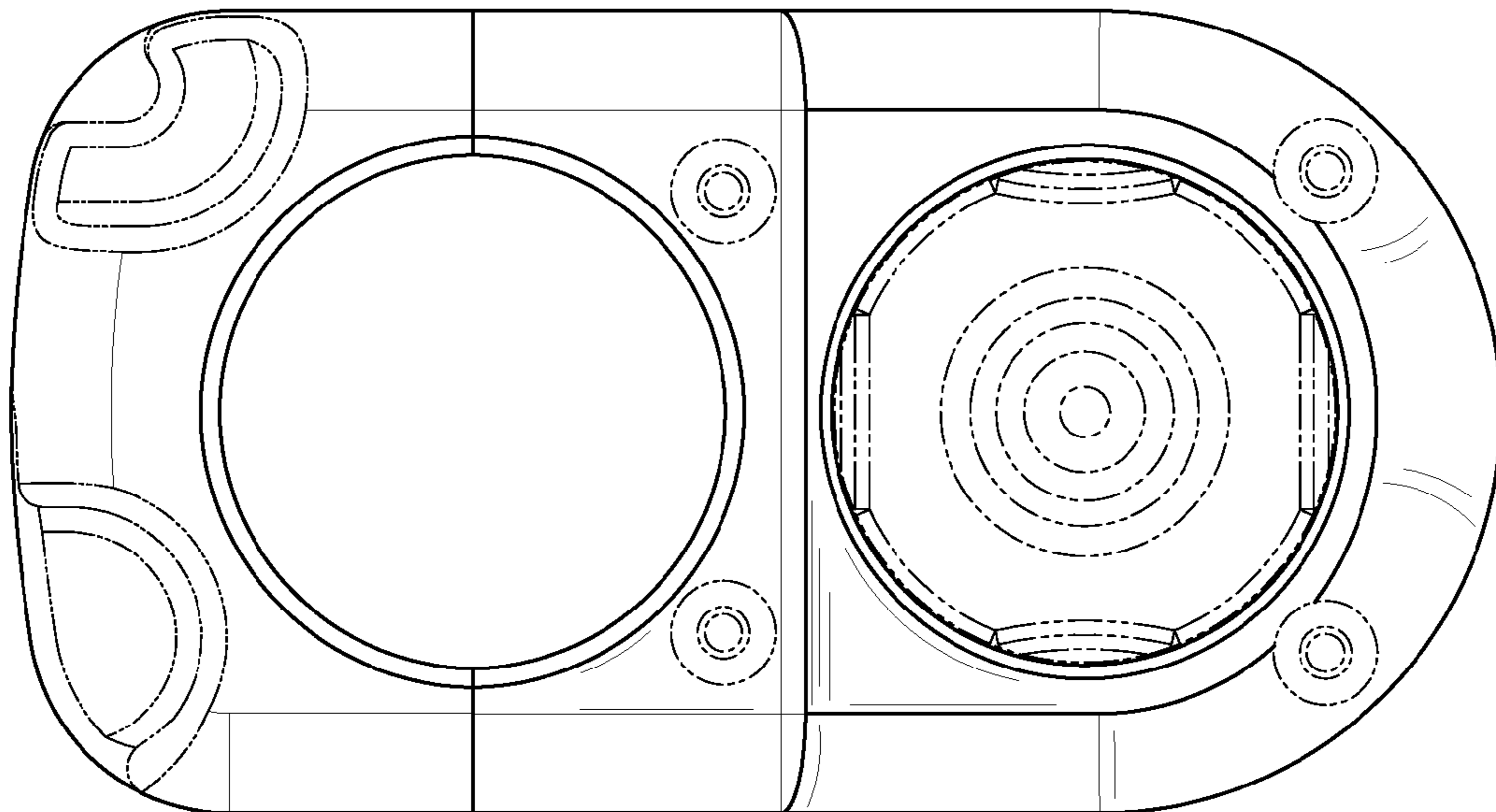


FIG. 8

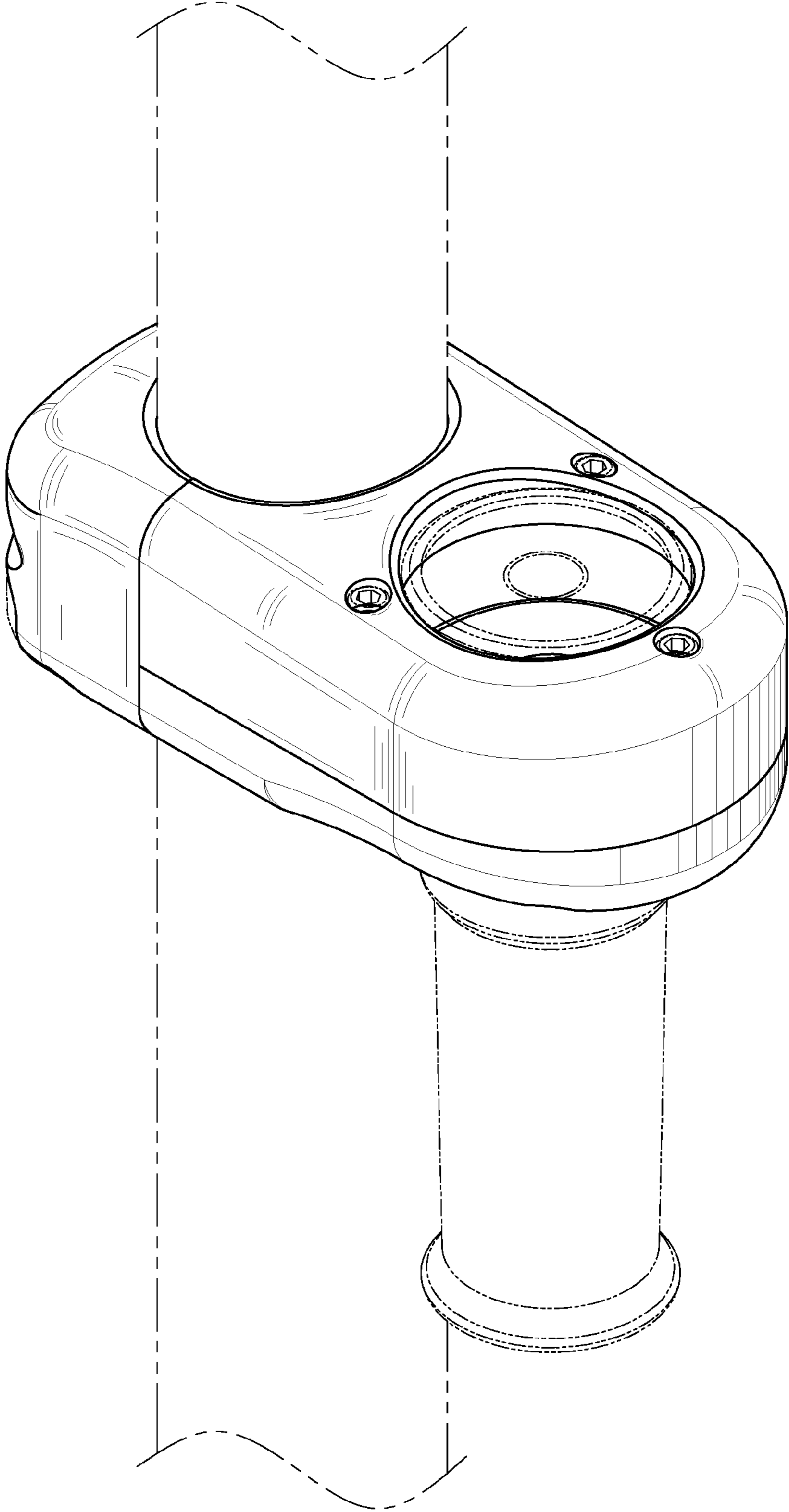


FIG. 9

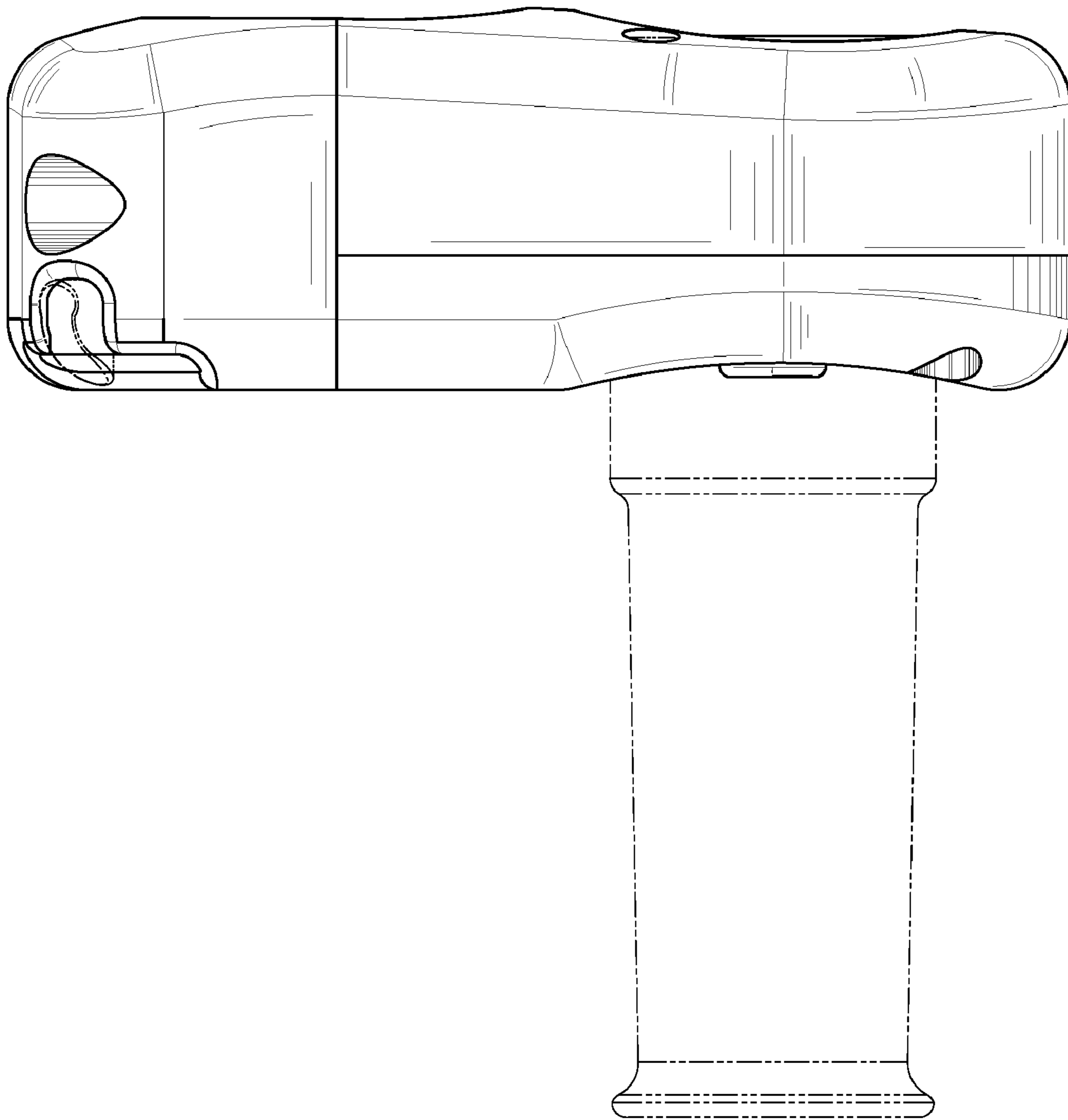


FIG. 10

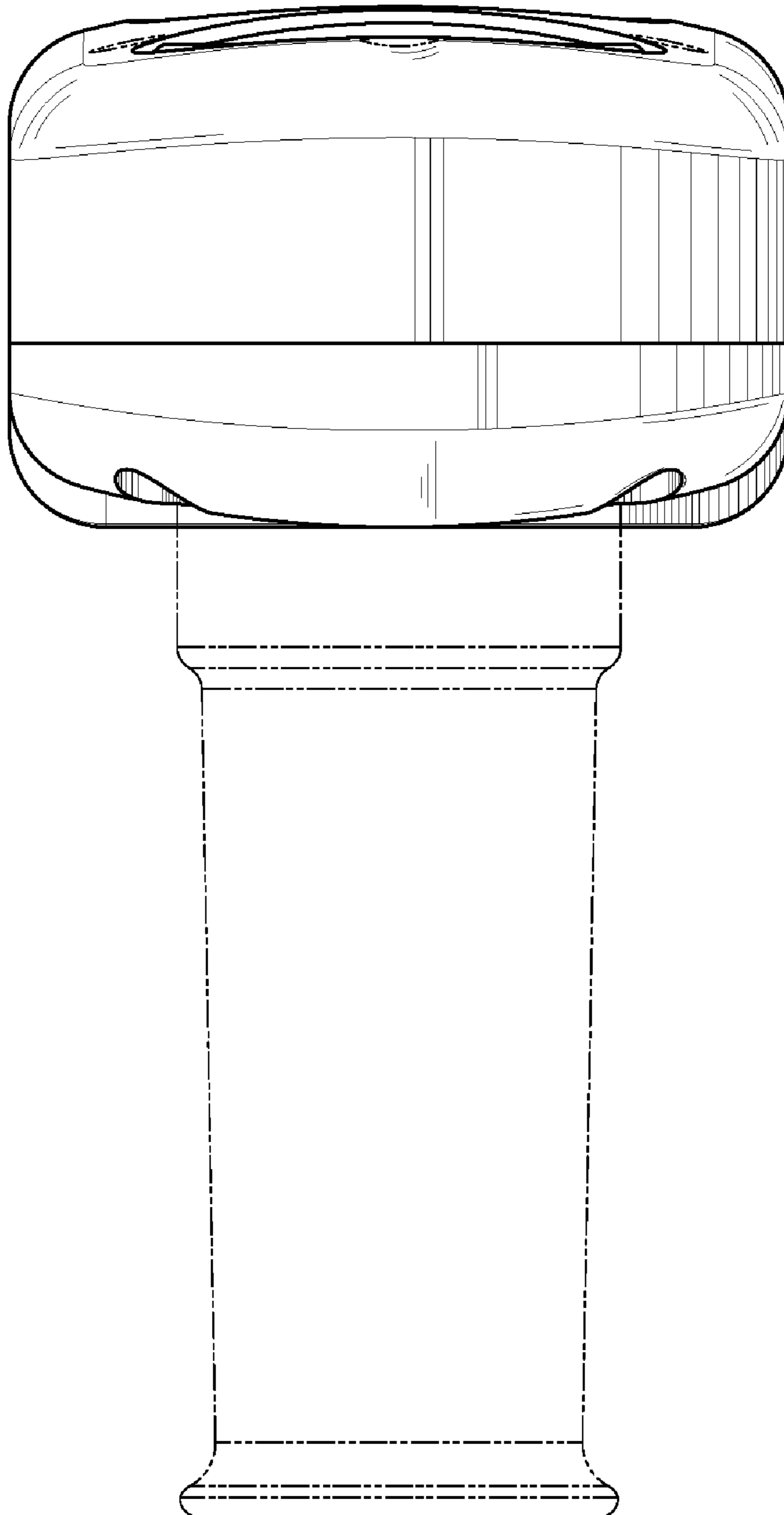


FIG. 11

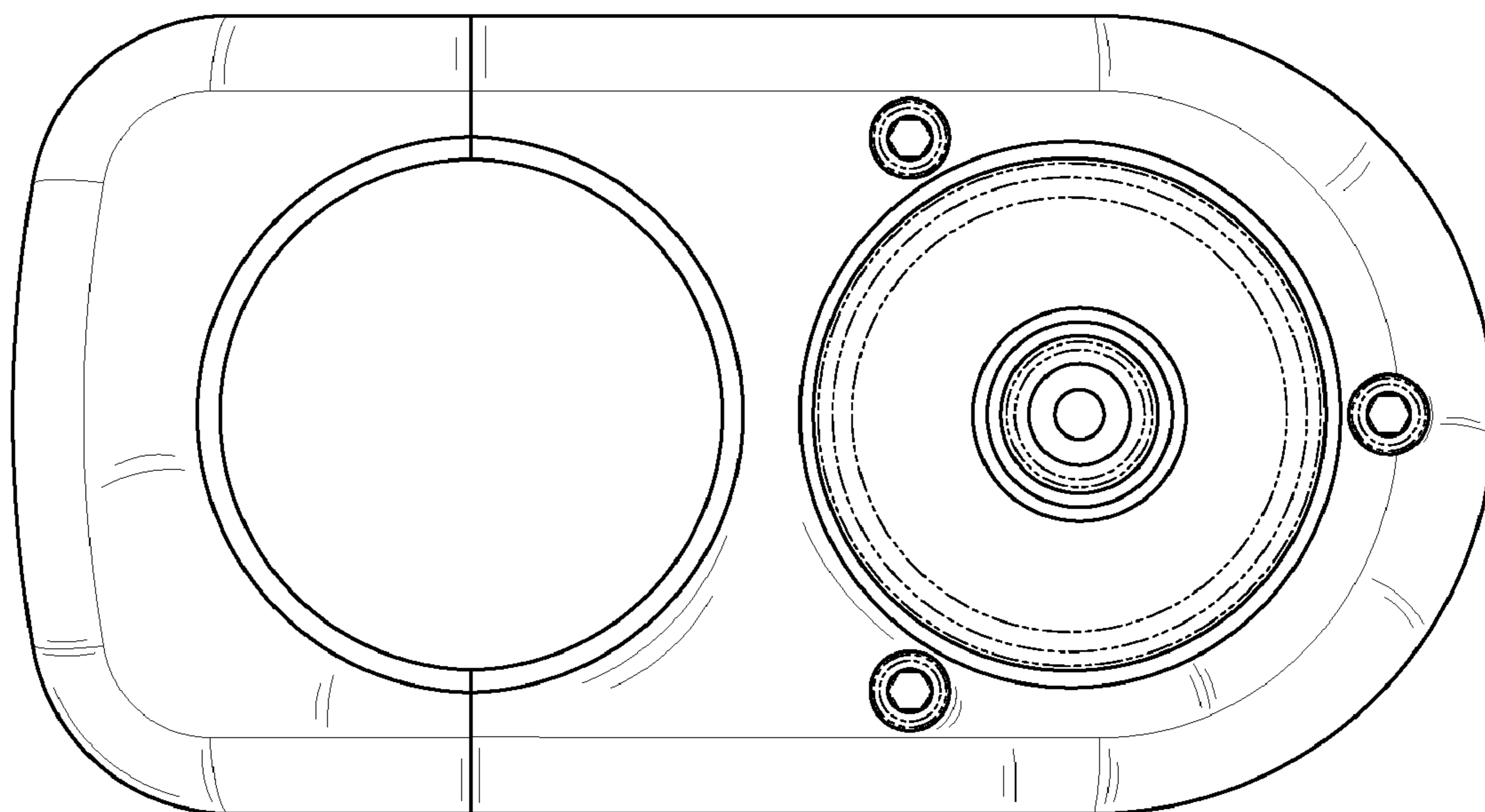


FIG. 12

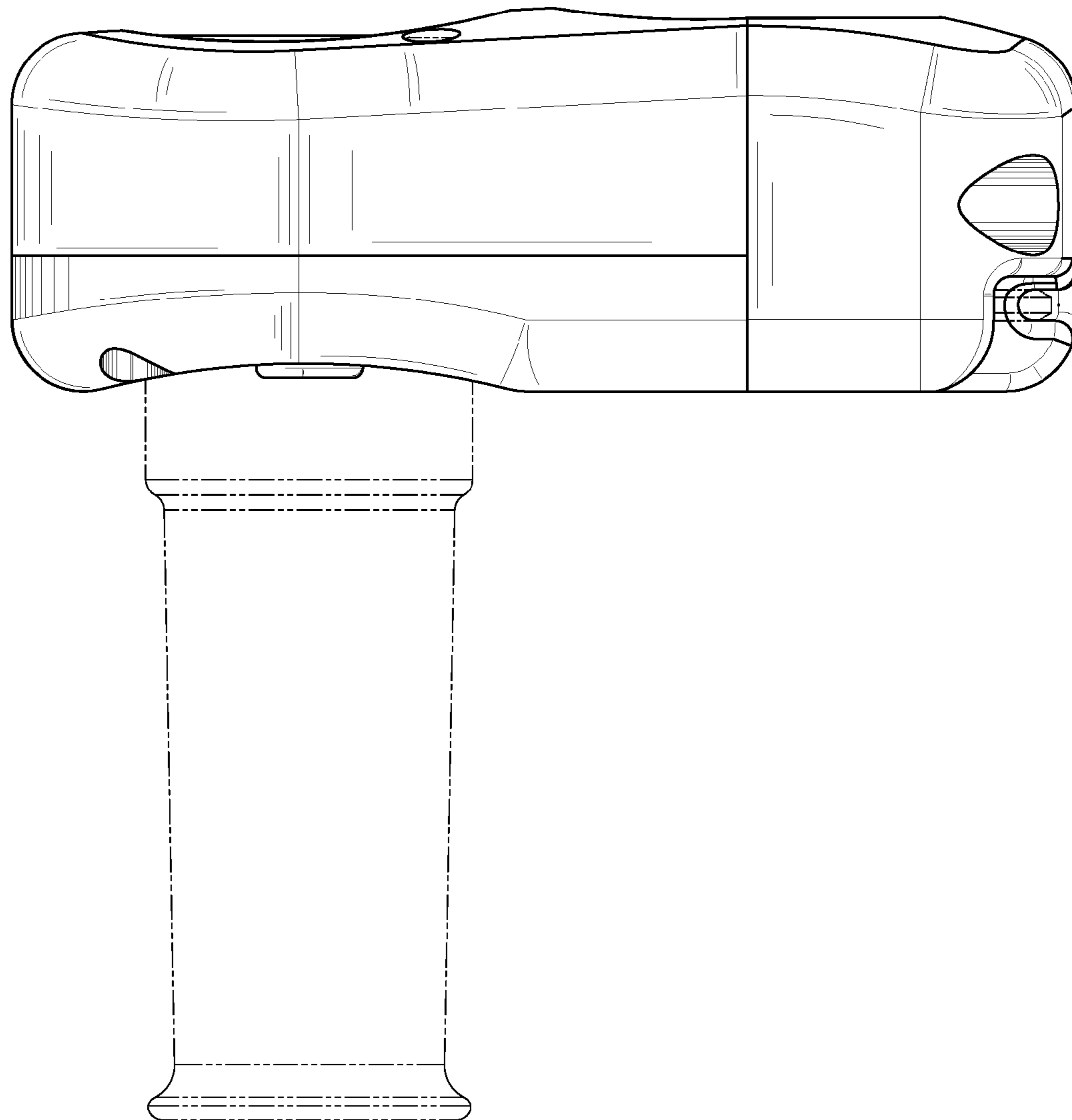


FIG. 13

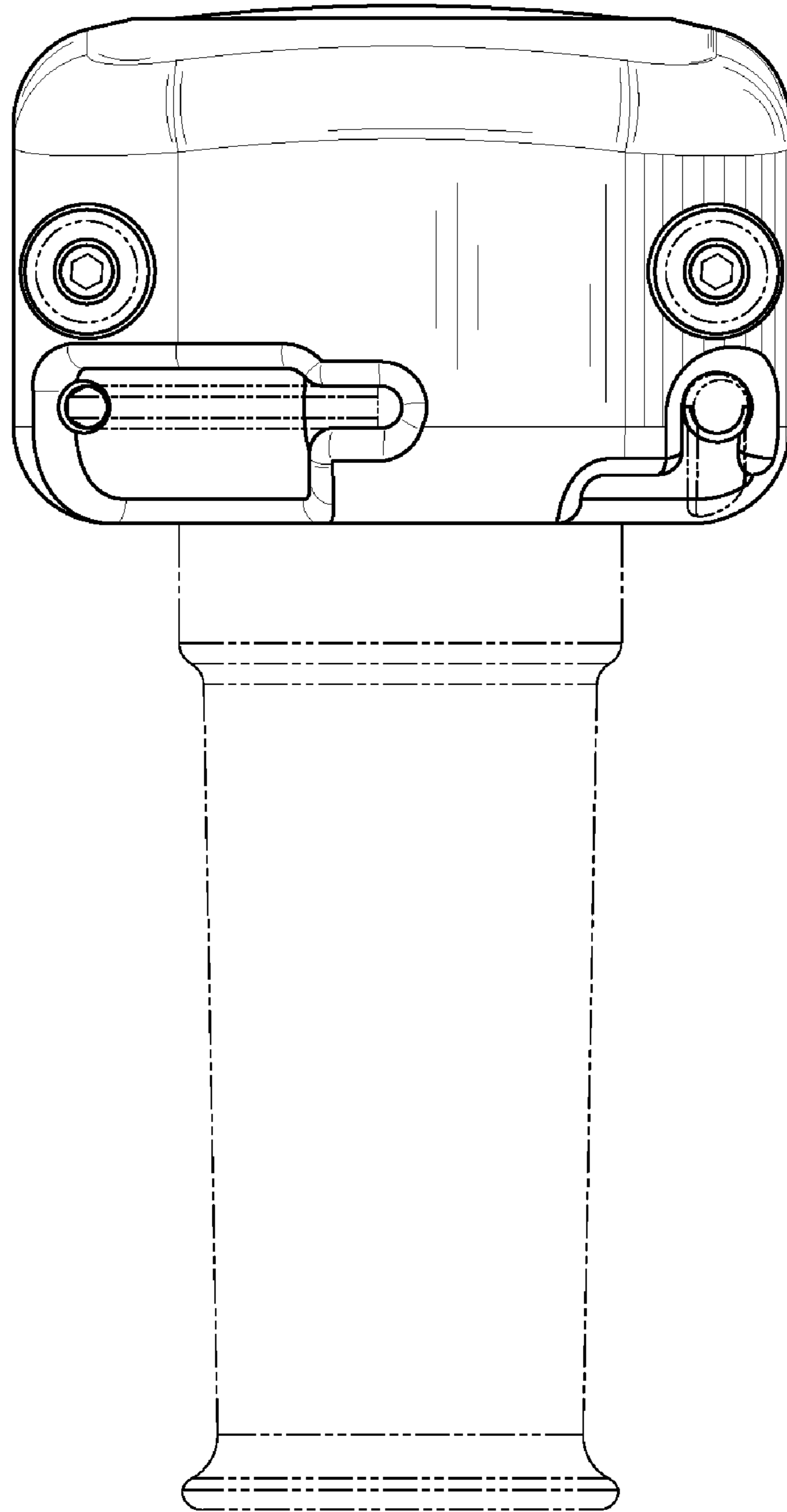


FIG. 14

