



US00D579359S

(12) **United States Design Patent**  
**Critelli et al.**

(10) **Patent No.:** **US D579,359 S**  
(45) **Date of Patent:** **\*\* Oct. 28, 2008**

(54) **PORTION OF A TAPE MEASURE**

(75) Inventors: **James M. Critelli**, Fuquay-Varina, NC (US); **Peter Lin**, Taipei Hsien (TW); **Tony Lin**, Taipei Hsien (TW)

(73) Assignee: **Cooper Brands, Inc.**, Houston, TX (US)

(\*\*) Term: **14 Years**

(21) Appl. No.: **29/280,939**

(22) Filed: **Jun. 11, 2007**

(51) **LOC (8) Cl.** ..... **10-04**

(52) **U.S. Cl.** ..... **D10/72**

(58) **Field of Classification Search** ..... D10/72;  
33/755-771; 242/381.3, 384.7, 379, 405  
See application file for complete search history.

(56) **References Cited**

**U.S. PATENT DOCUMENTS**

D454,082 S *	3/2002	Budrow	.....	D10/72
D486,085 S *	2/2004	Lee	.....	D10/72
D534,091 S *	12/2006	Ebihara	.....	D10/72

**OTHER PUBLICATIONS**

Stanley Hand Tools, MaxSteel® Tape Rules, models 33-689, 33-691, 33-692, and 33-695, www.stanleytools.com, offered for sale before Jun. 11, 2007.

Stanley Hand Tools, FatMax® Tape Rules, models 33-726, 33-728, www.stanleytools.com, offered for sale before Jun. 11, 2007.

Komelon USA, The Professional™ DURA Ny-Coat™ tape, www.komelonusa.com, offered for sale before Jun. 11, 2007.

Komelon USA, Grip Lock Nylon Coated Blade tape, www.komelonusa.com, offered for sale before Jun. 11, 2007.

Komelon USA, Power tape™, www.komelonusa.com, offered for sale before Jun. 11, 2007.

Sears, Craftsman Steel Measuring tape, www.sears.com, offered for sale before Jun. 11, 2007.

L.S. Starrett, ProSite® Series Measuring Tape, www.starrett.com, offered for sale before Jun. 11, 2007.

L.S. Starrett, Tough Tapes™ MY Series Measuring Tape, www.starrett.com, offered for sale before Jun. 11, 2007.

\* cited by examiner

*Primary Examiner*—Antoine D. Davis

(74) *Attorney, Agent, or Firm*—Saidman DesignLaw Group

(57) **CLAIM**

The ornamental design for a portion of a tape measure, as shown and described.

**DESCRIPTION**

FIG. 1 is a perspective view of a portion of a tape measure showing our new design;

FIG. 2 is a front view thereof;

FIG. 3 is a back view thereof;

FIG. 4 is a left side view thereof;

FIG. 5 is a right side view thereof;

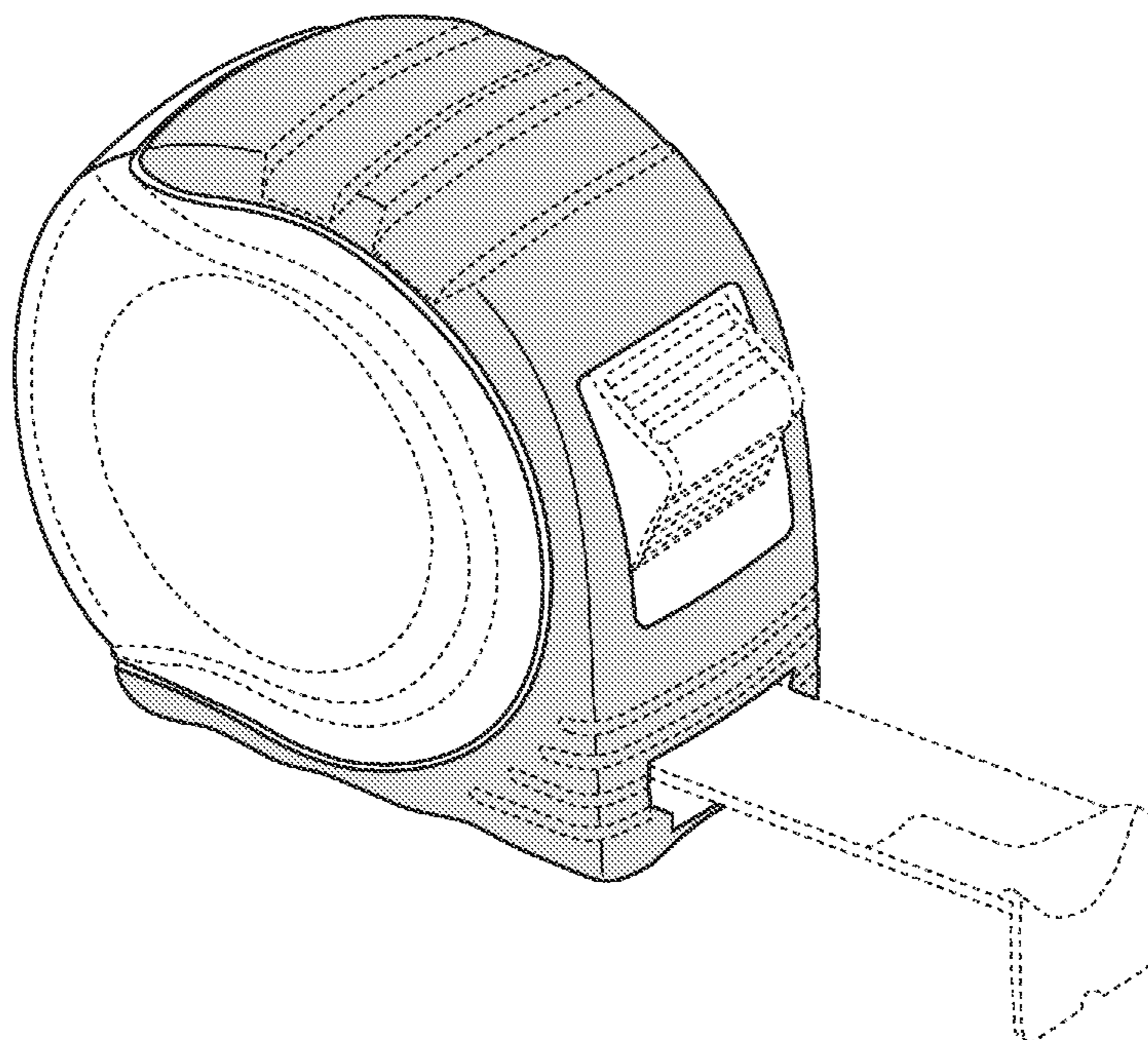
FIG. 6 is a top view thereof; and

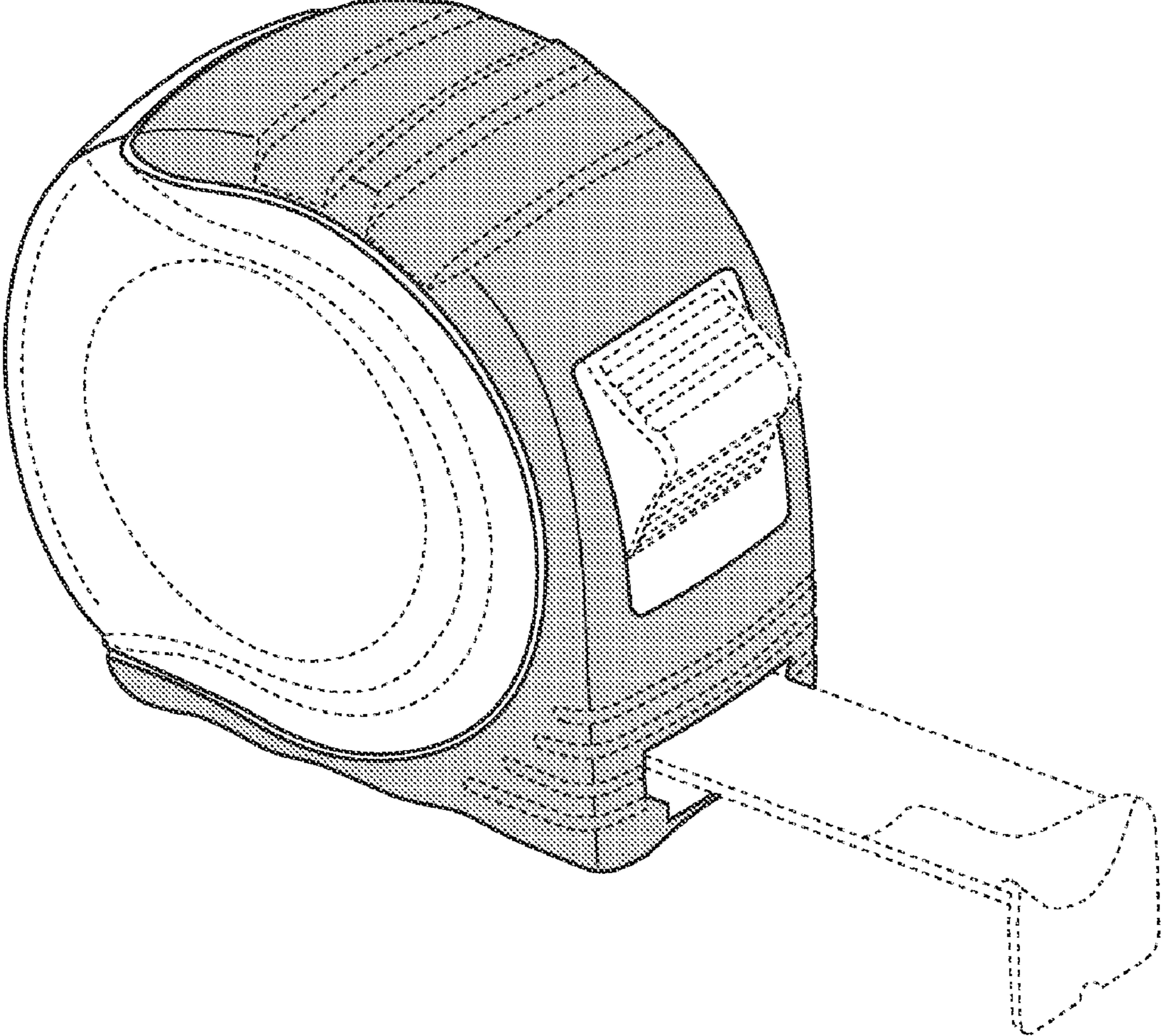
FIG. 7 is a bottom view thereof.

The gray shading indicates color contrast.

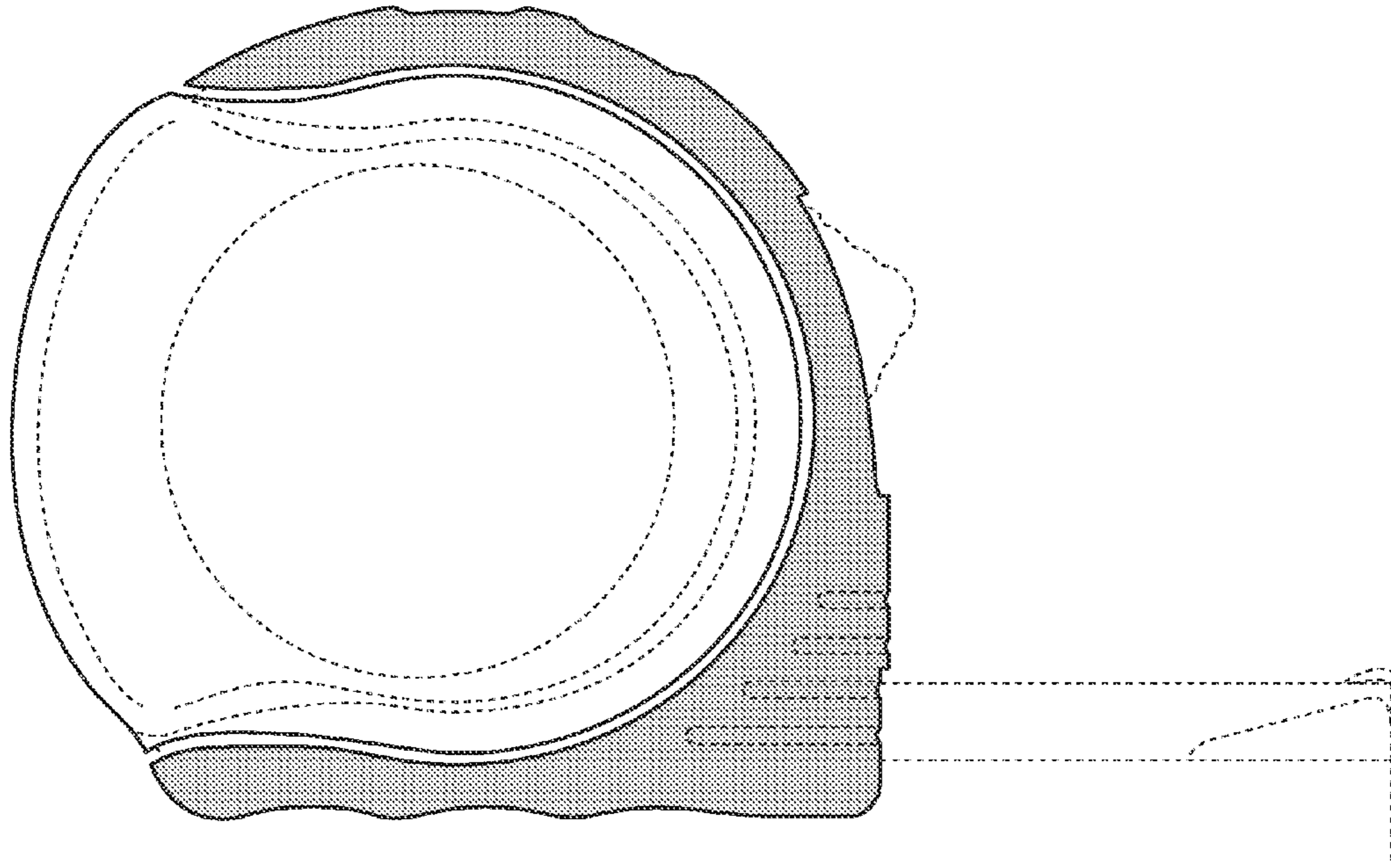
The broken lines are environmental and form no part of the claimed design.

**1 Claim, 4 Drawing Sheets**

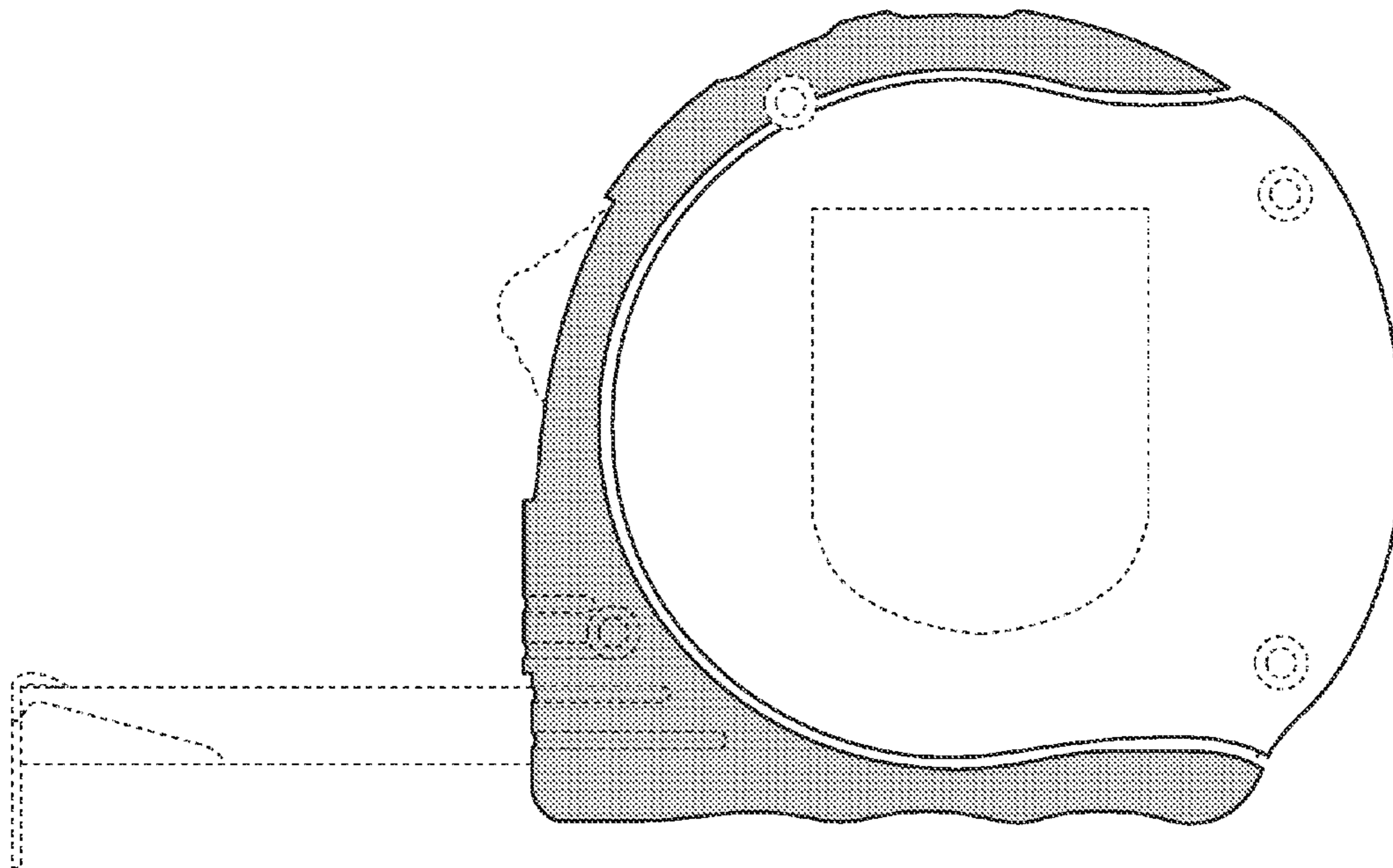




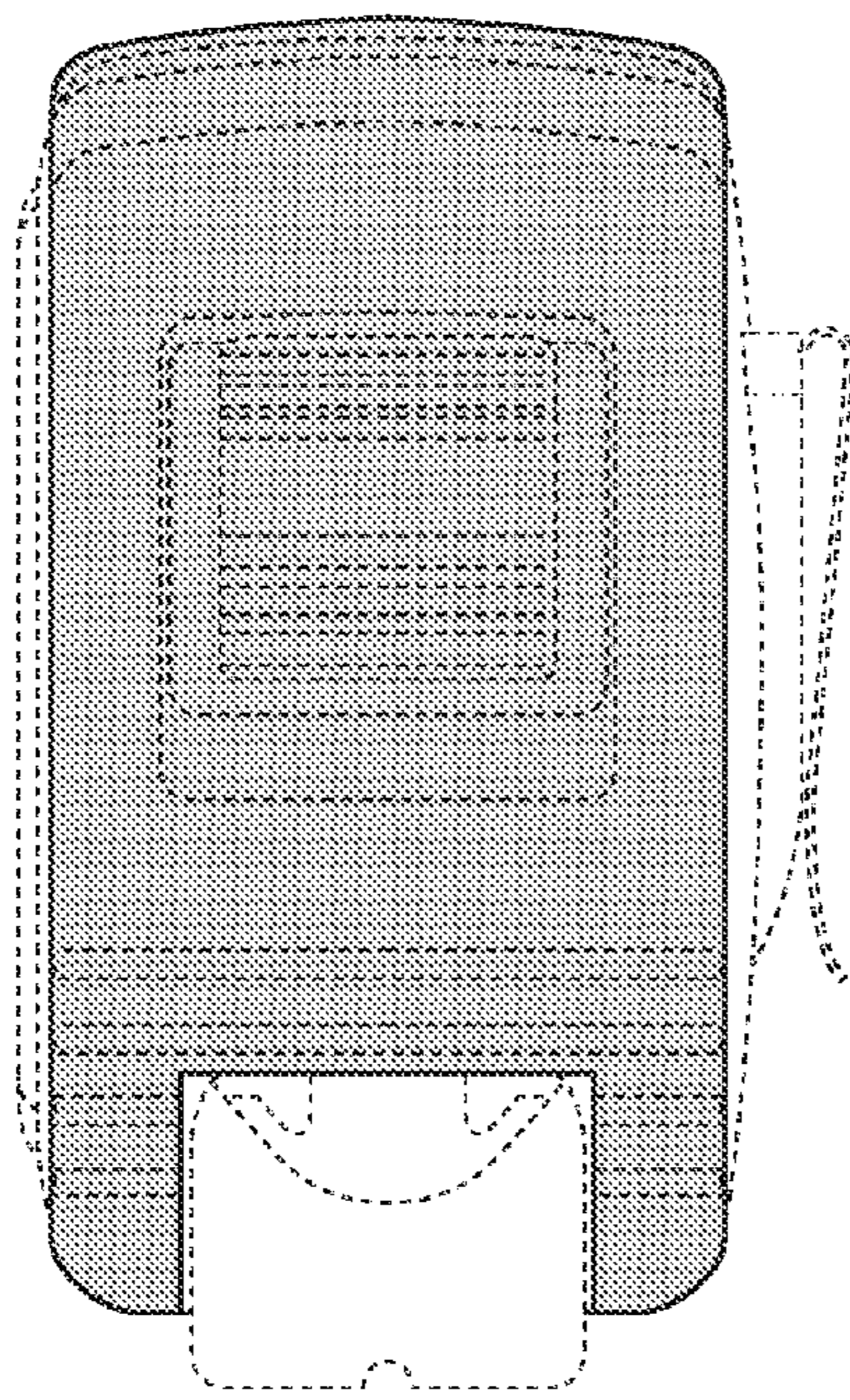
*Fig. 1*



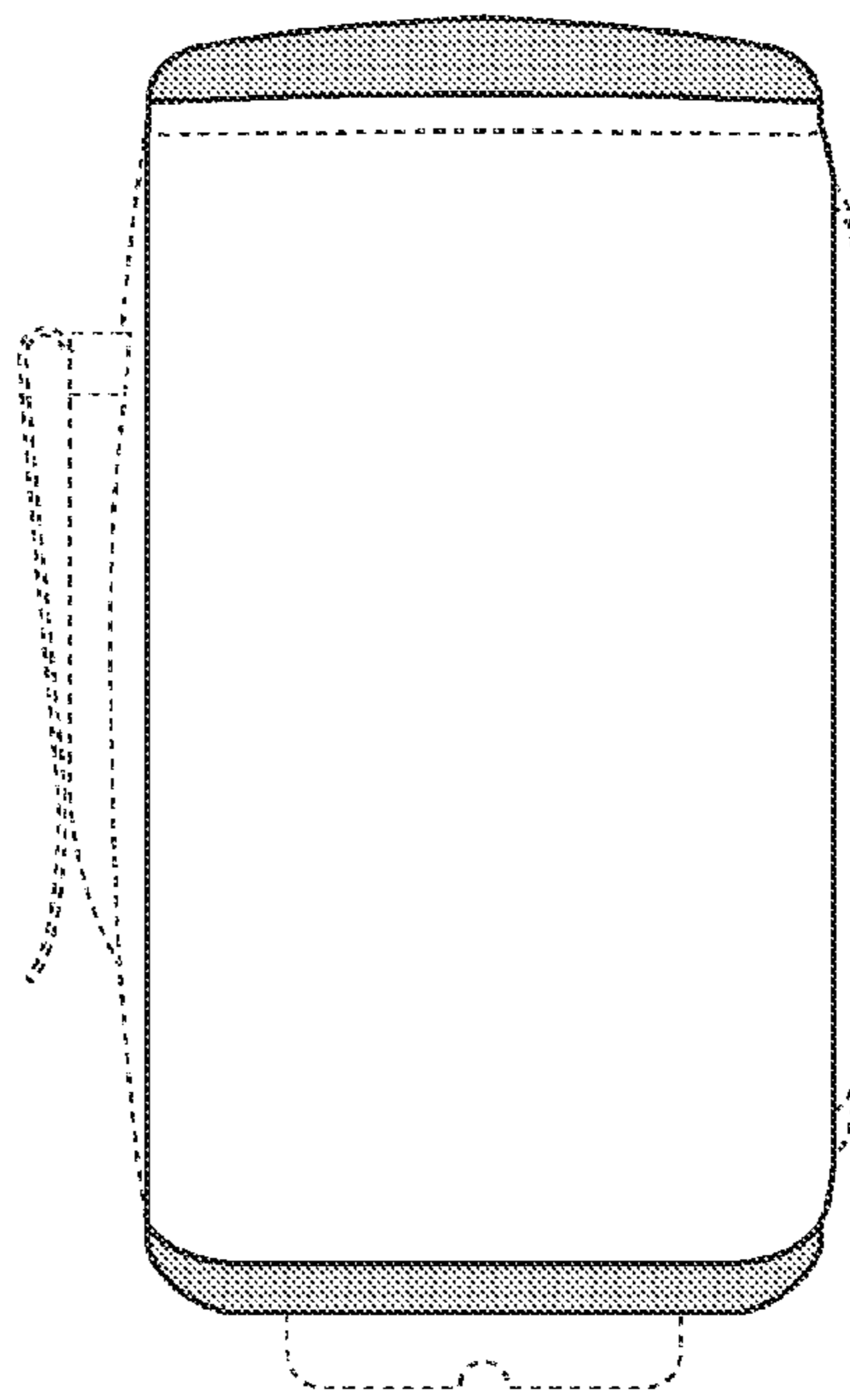
*Fig. 2*



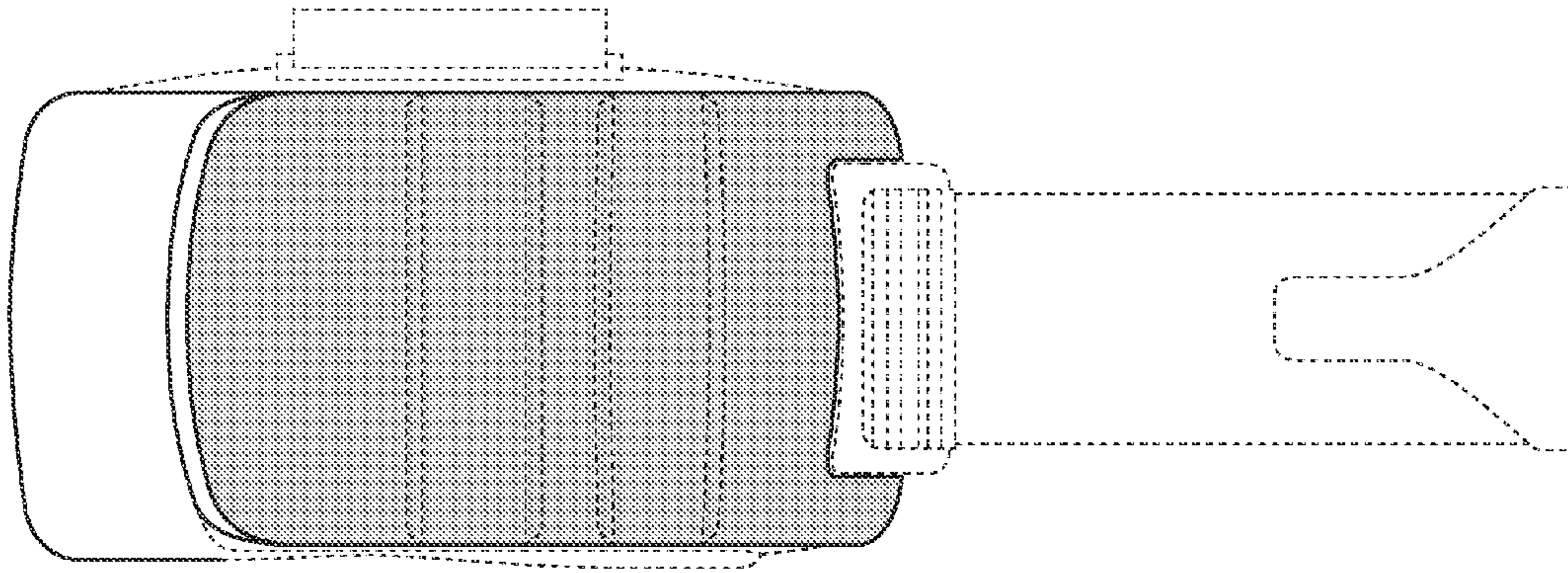
*Fig. 3*



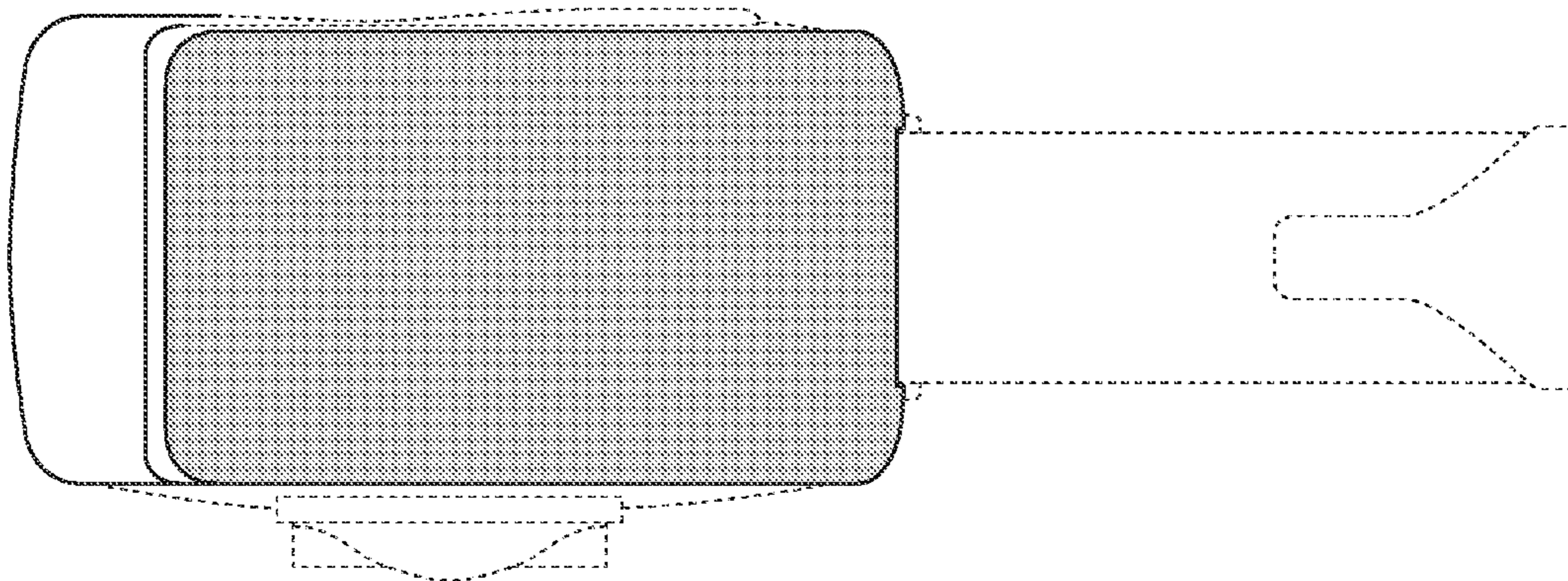
*Fig. 4*



*Fig. 5*



*Fig. 6*



*Fig. 7*