



US00D579358S

(12) **United States Design Patent**
Memetaj

(10) **Patent No.:** **US D579,358 S**

(45) **Date of Patent:** **** Oct. 28, 2008**

(54) **PIPE MEASURING DEVICE**

D494,485 S 8/2004 Schiene et al.
6,843,279 B1 * 1/2005 Ungemah 33/483
D575,671 S * 8/2008 Niwa 33/485

(76) Inventor: **Burhan Memetaj**, 28404 Shock St., St.
Clair Shores, MI (US) 48081

(**) Term: **14 Years**

* cited by examiner

Primary Examiner—Antoine D Davis

(21) Appl. No.: **29/302,483**

(57) **CLAIM**

(22) Filed: **Jan. 17, 2008**

The ornamental design for a pipe measuring device, as shown and described.

(51) **LOC (8) Cl.** **10-04**

(52) **U.S. Cl.** **D10/71**

(58) **Field of Classification Search** D10/71;
33/392, 483–494, 529, 640, 743, 759, 760,
33/770

DESCRIPTION

See application file for complete search history.

FIG. 1 is a front elevational view of a pipe measuring device showing my new design;

FIG. 2 is a rear elevational thereof;

FIG. 3 is a right elevational view thereof;

FIG. 4 is a top plan view thereof;

FIG. 5 is a bottom plan view thereof;

FIG. 6 is a front perspective view; and,

FIG. 7 is a perspective view of an alternative embodiment illustrating markings in centimeters.

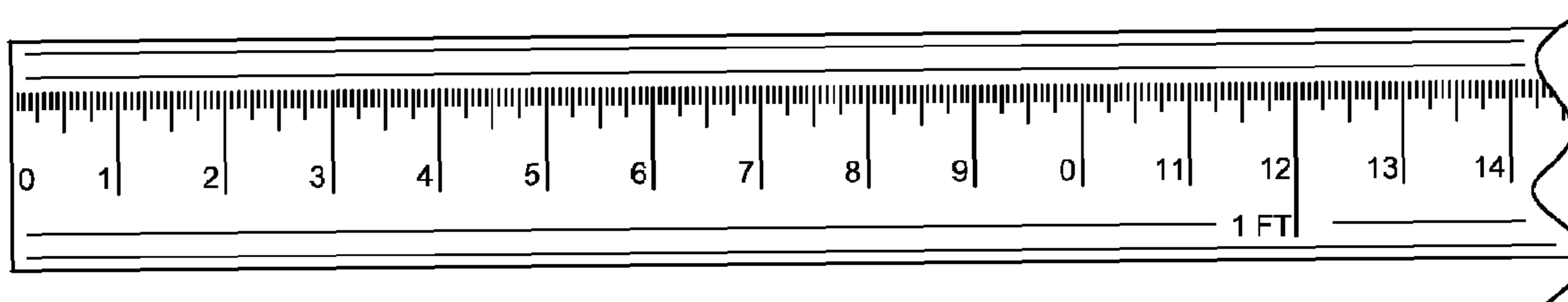
The pipe measuring device is shown fragmented or broken away in order to show indeterminate length.

(56) **References Cited**

U.S. PATENT DOCUMENTS

2,449,265	A	9/1948	Williams	
D264,824	S	* 6/1982	Sandel D10/71
4,416,309	A	11/1983	Salim	
4,701,869	A	10/1987	Callegari, Sr. et al.	
5,144,330	A	9/1992	Bennett	
5,179,896	A	1/1993	Copeland	
5,184,152	A	2/1993	French	
5,915,413	A	6/1999	Helmsderfer	
D454,512	S	3/2002	Dole	

1 Claim, 3 Drawing Sheets



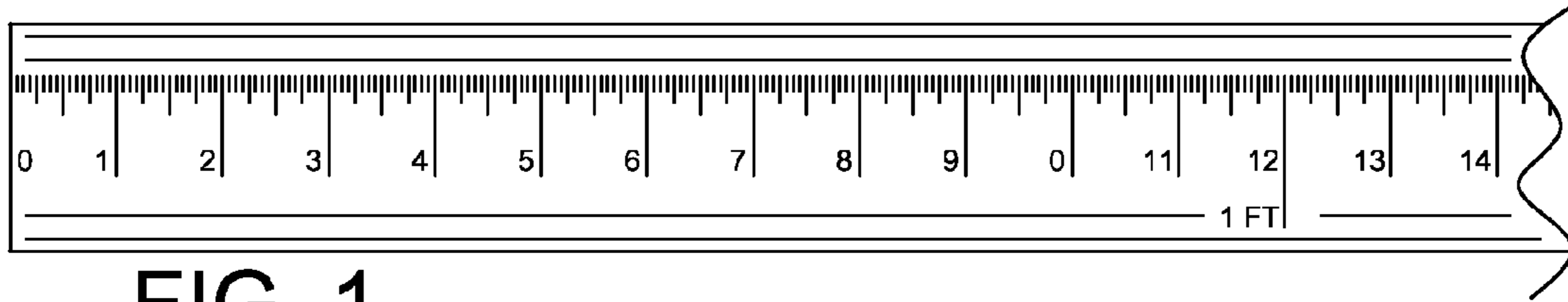


FIG. 1

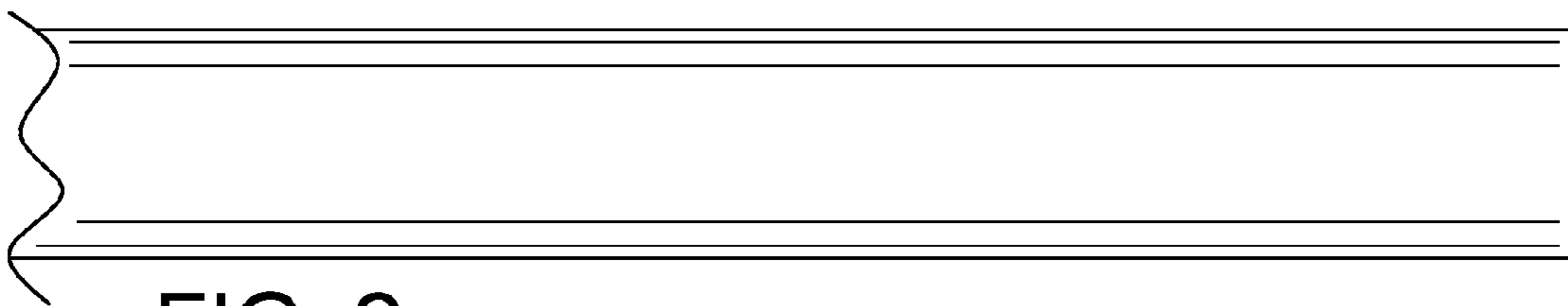


FIG. 2

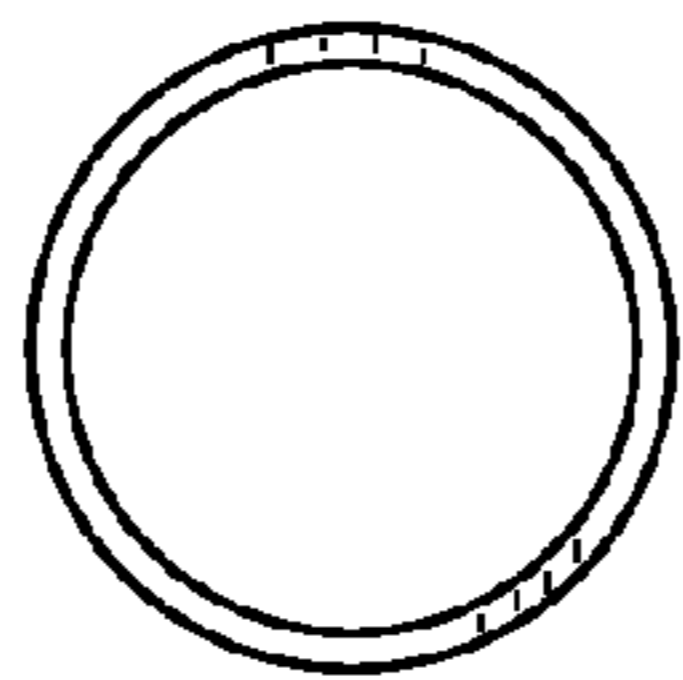


FIG. 3

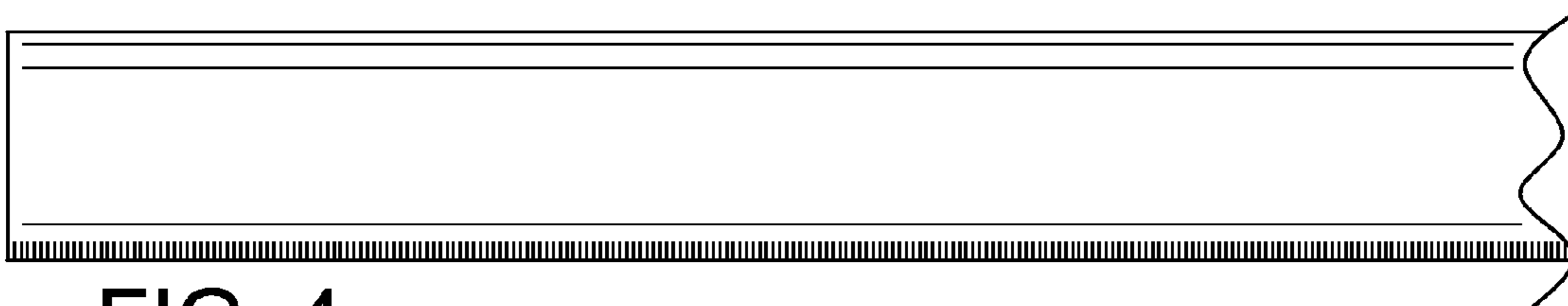


FIG. 4

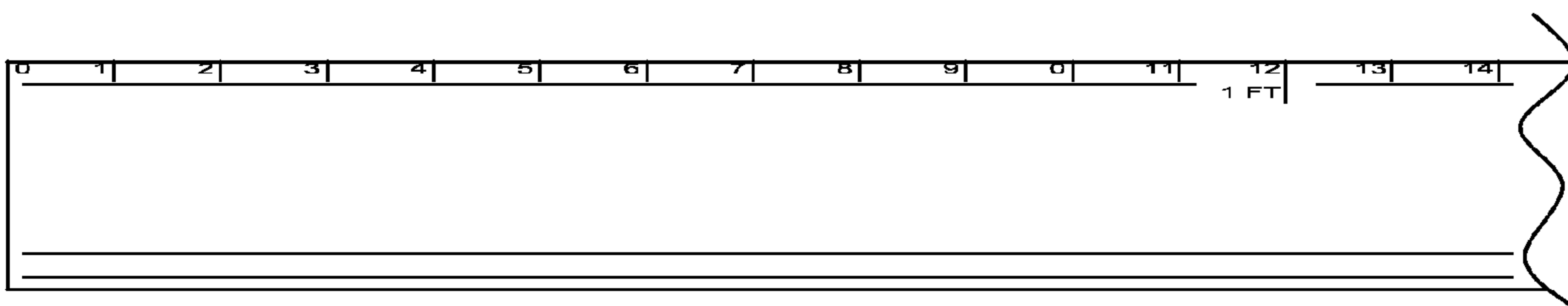


FIG. 5

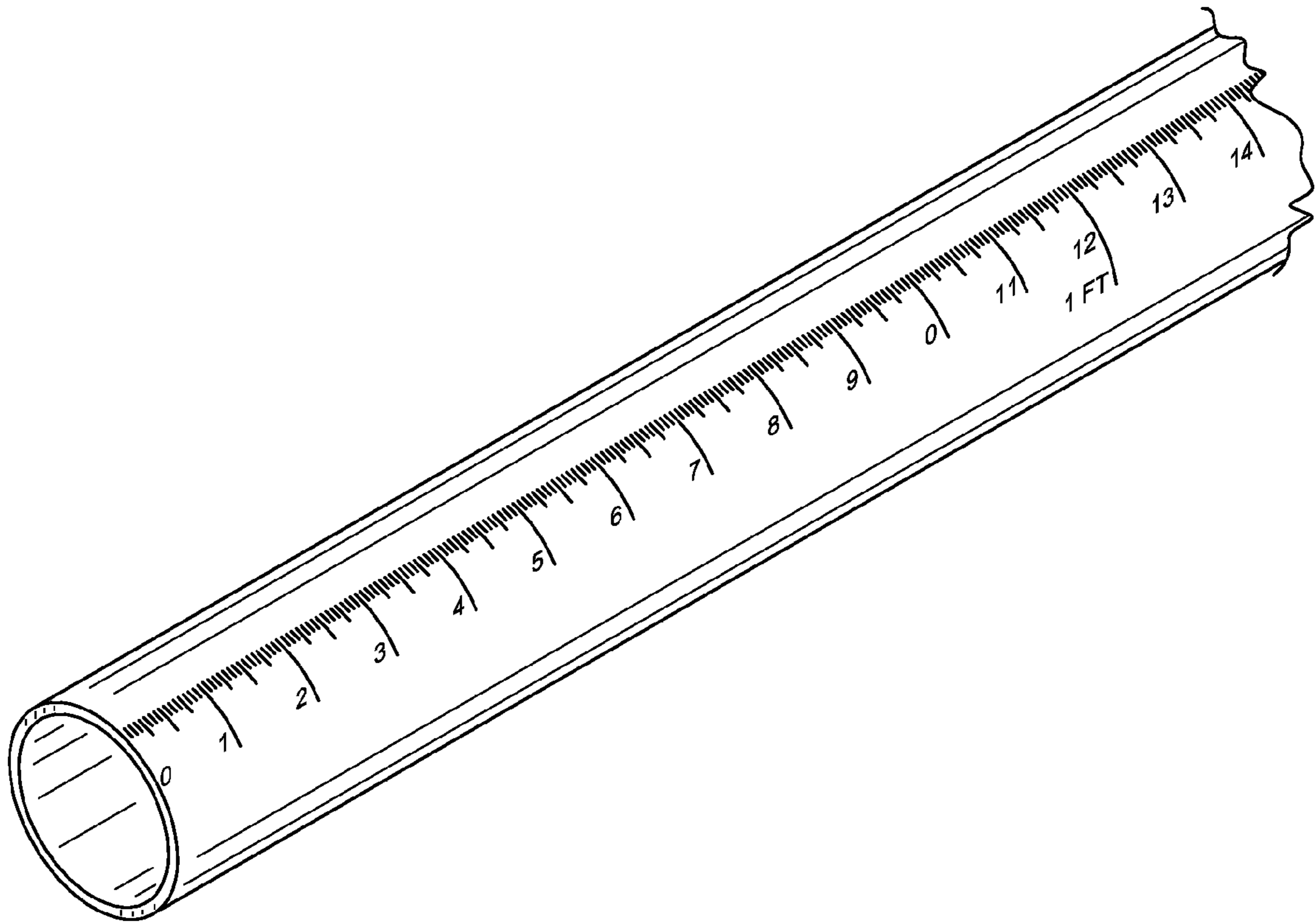


FIG. 6

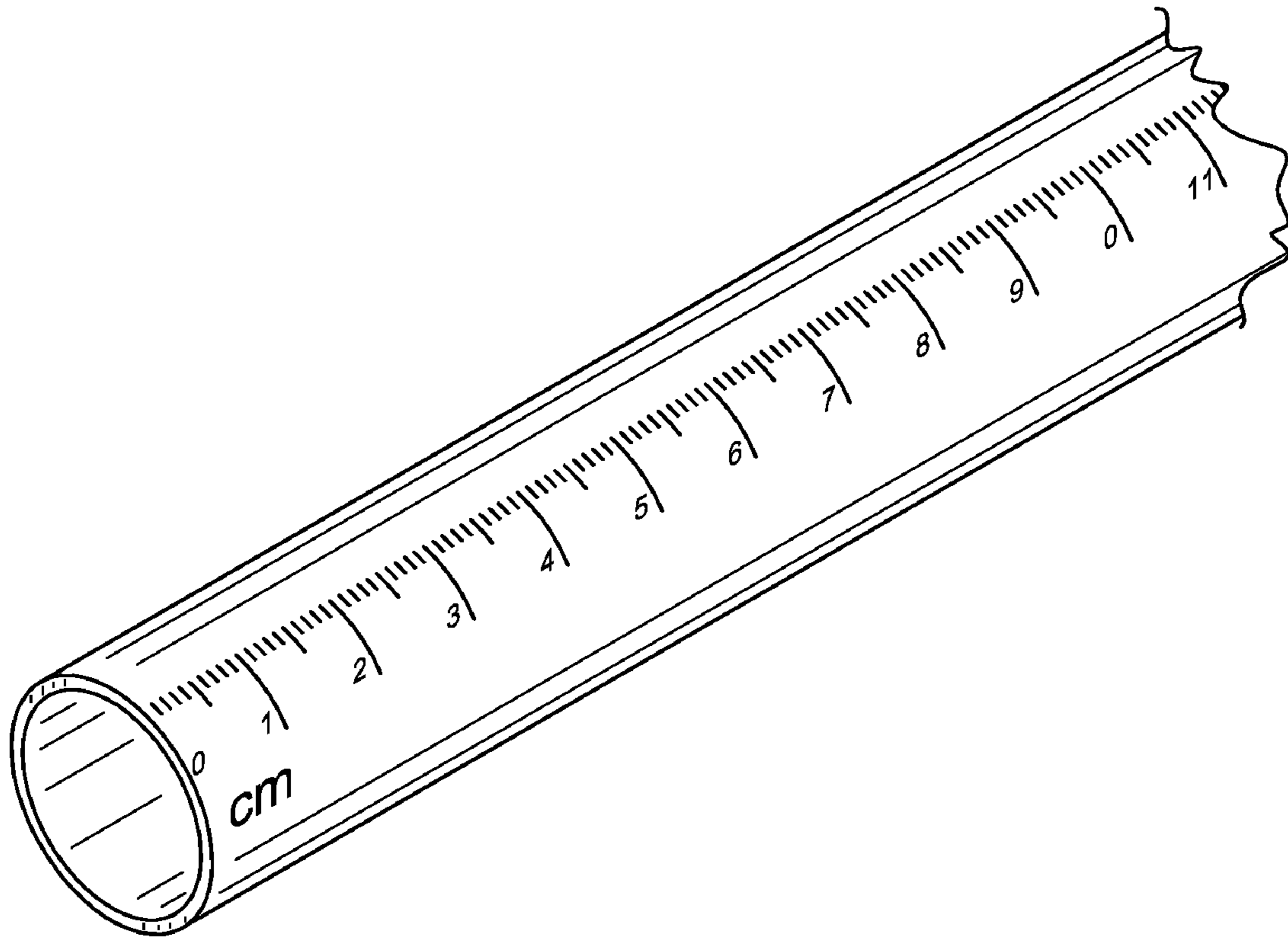


FIG. 7