



US00D579357S

(12) **United States Design Patent**
Cole et al.

(10) **Patent No.:** **US D579,357 S**
(45) **Date of Patent:** **** Oct. 28, 2008**

(54) **BI-POD TRACKER**

6,882,154 B2 4/2005 Mercer et al.
6,924,767 B2 8/2005 Kitahara et al.
7,009,399 B2 3/2006 Olsson et al.

(75) Inventors: **Scott Bryan Cole**, Edmond, OK (US);
David R. Brown, Perry, OK (US)

FOREIGN PATENT DOCUMENTS

(73) Assignee: **The Charles Machine Works, Inc.**,
Perry, OK (US)

WO 9530913 11/1995

* cited by examiner

(**) Term: **14 Years**

Primary Examiner—Antoine D Davis

(21) Appl. No.: **29/295,376**

(74) *Attorney, Agent, or Firm*—Tomlinson & O’Connell, PC

(22) Filed: **Sep. 27, 2007**

(57) **CLAIM**

(51) **LOC (8) Cl.** **10-04**

The ornamental design for a bi-pod tracker, as shown and described.

(52) **U.S. Cl.** **D10/70; D10/65; D10/78**

(58) **Field of Classification Search** D10/65,
D10/70, 78; 324/326, 329, 333–334, 459,
324/345, 346, 67; 715/701, 702; 345/156–158,
345/701, 702; 414/5, 6; 600/587, 595; 703/5,
703/7; 175/40, 45, 50, 62; 343/713, 728,
343/742, 787, 788, 842, 867; 340/870.01,
340/825.69, 825.72

DESCRIPTION

See application file for complete search history.

FIG. 1 is a top view showing our new design;

FIG. 2 is a bottom view thereof;

FIG. 3 is a front view thereof;

FIG. 4 is a rear view thereof;

FIG. 5 is a top perspective view thereof;

FIG. 6 is an underside front perspective view thereof;

FIG. 7 is a perspective view of an alternative embodiment thereof; and,

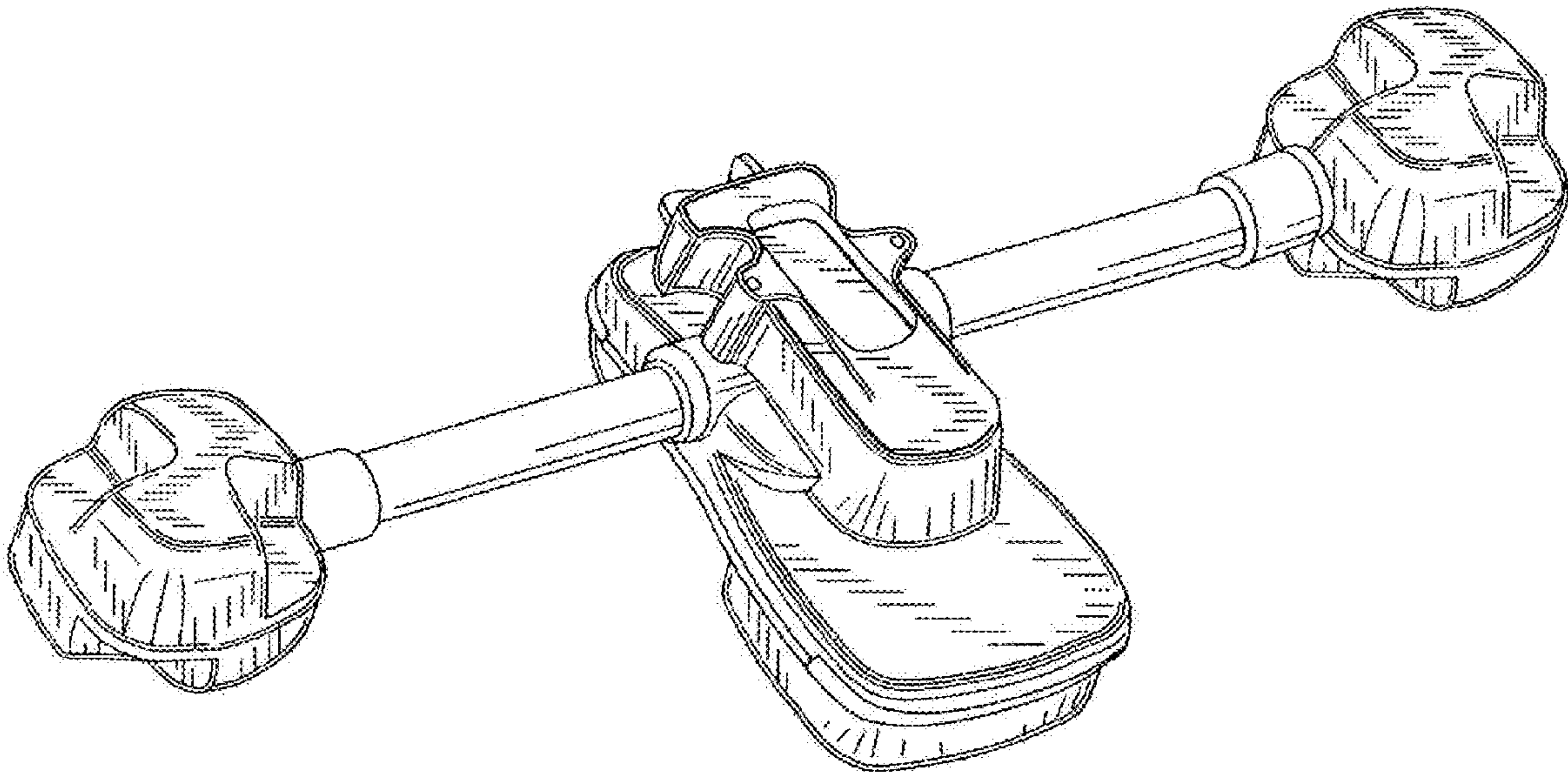
FIG. 8 is a perspective view of another alternative embodiment.

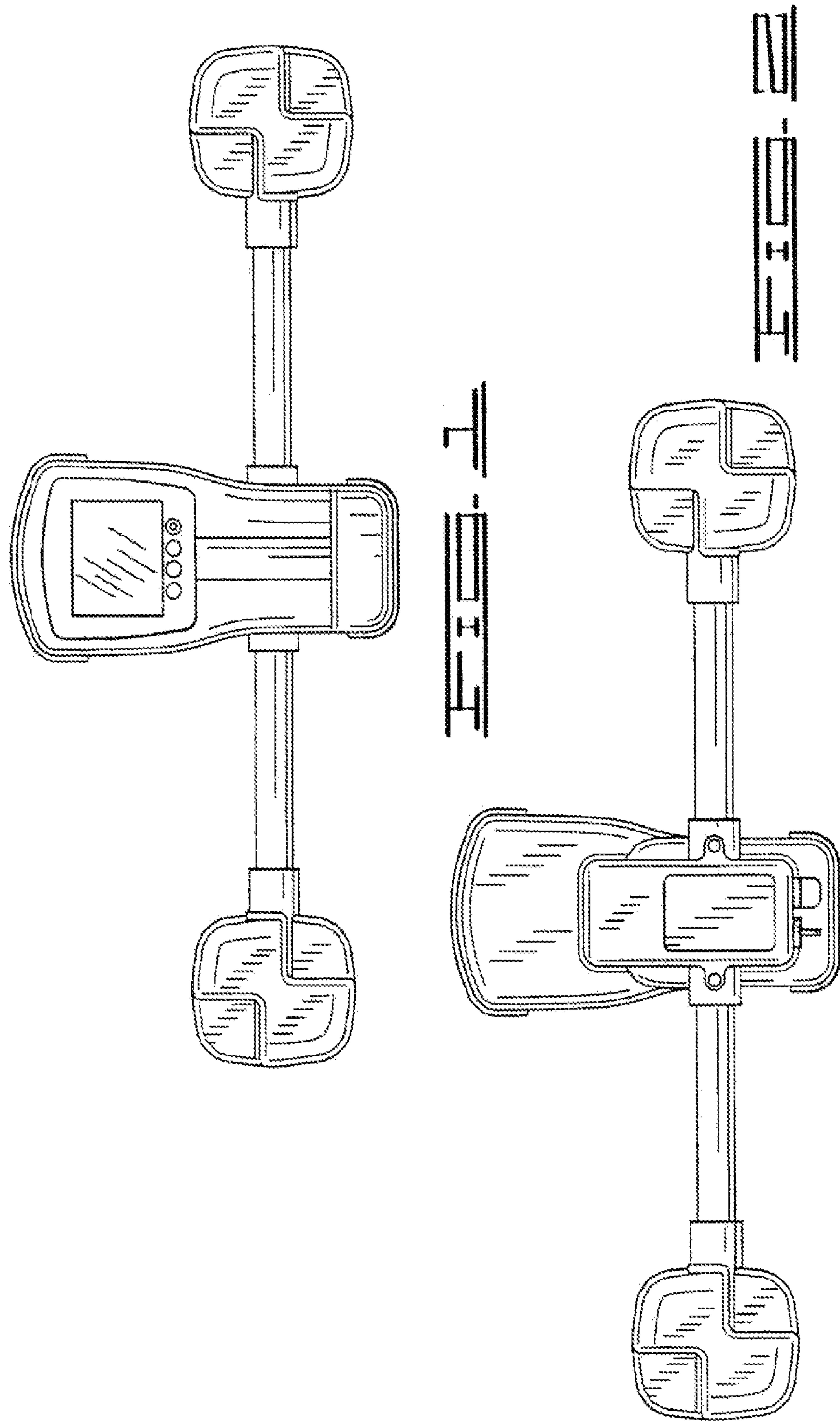
(56) **References Cited**

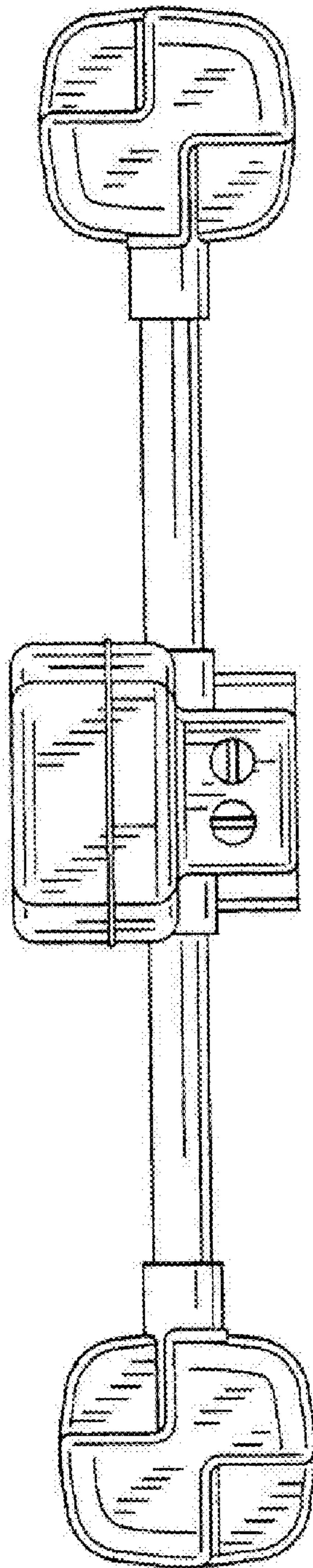
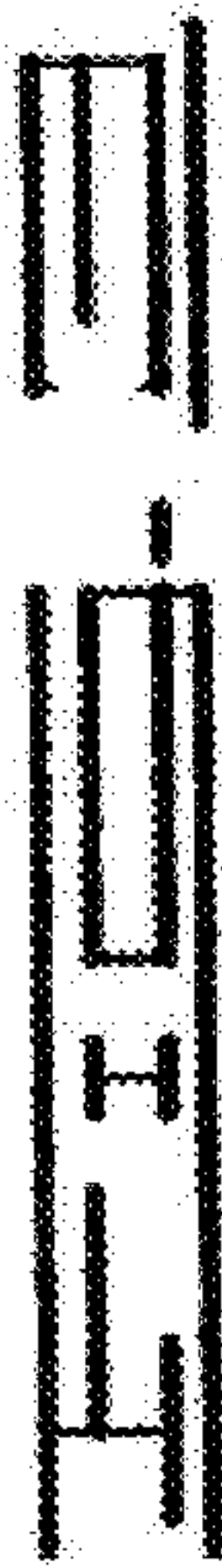
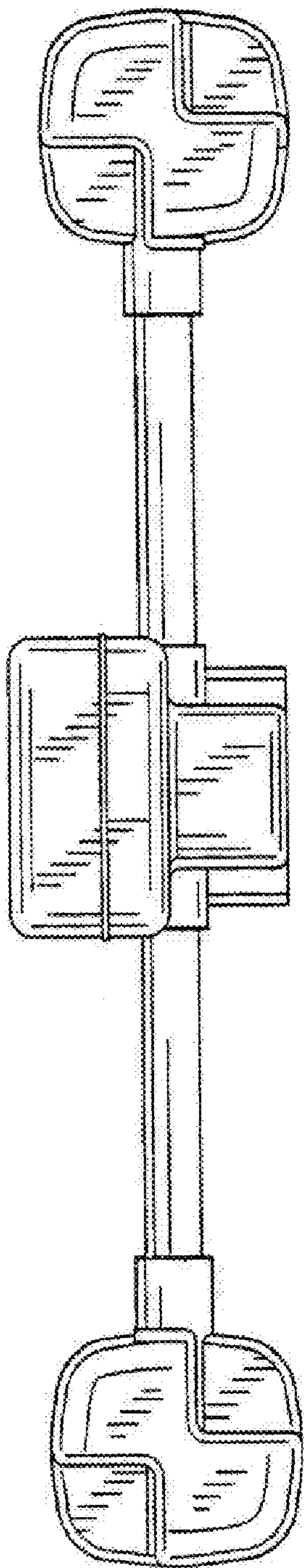
U.S. PATENT DOCUMENTS

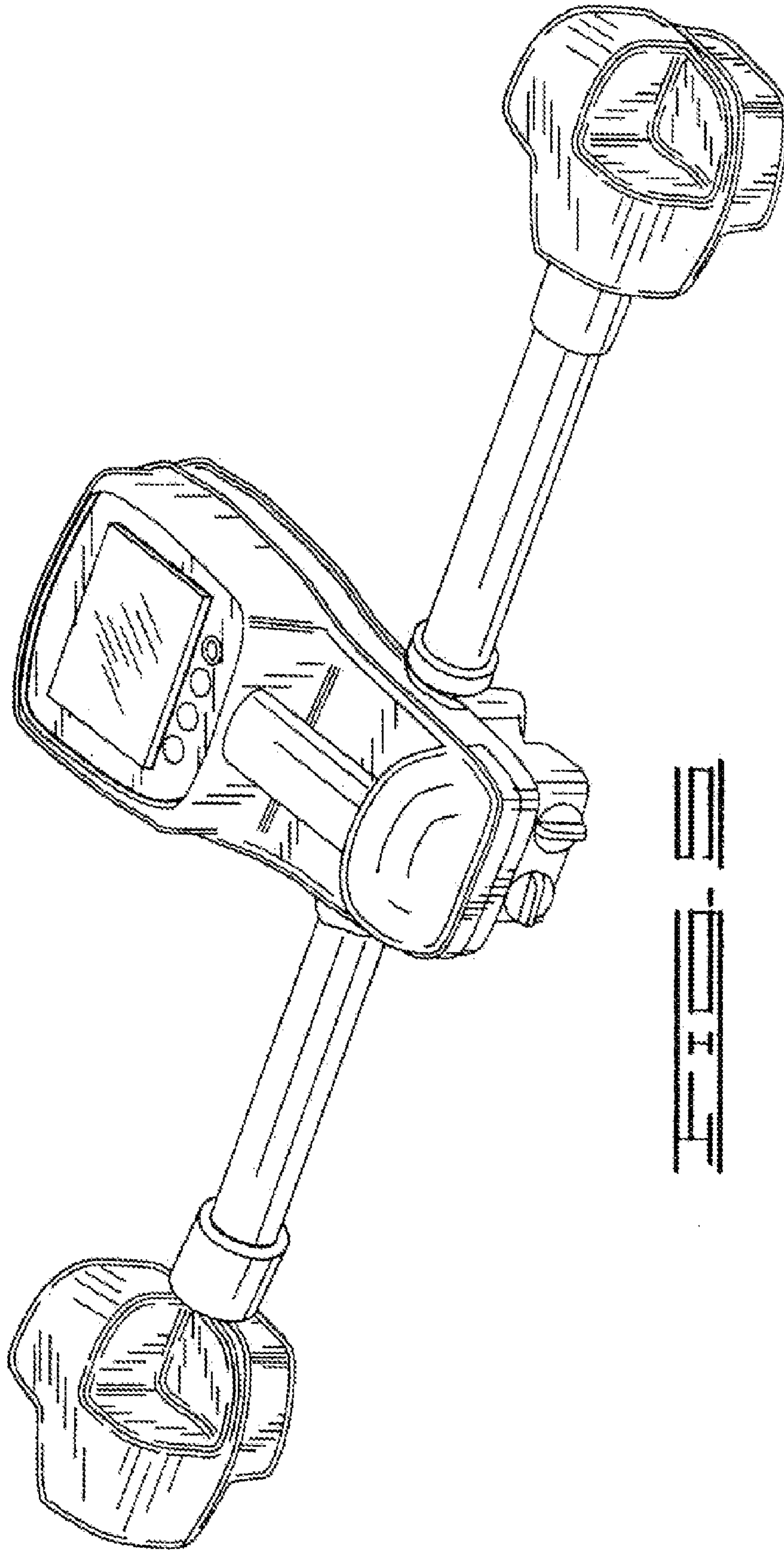
D409,928 S * 5/1999 Horsley D10/70
6,035,951 A 3/2000 Mercer et al.
6,563,474 B2 5/2003 Nantz et al.
D497,817 S * 11/2004 Lord D10/78

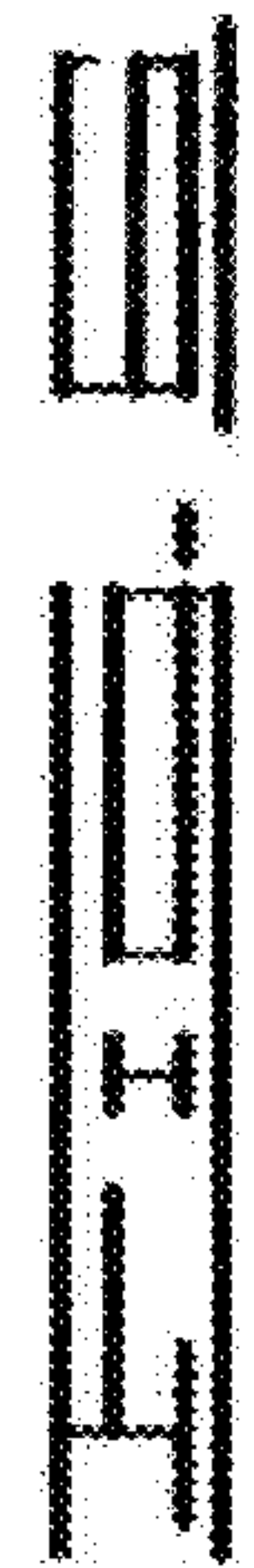
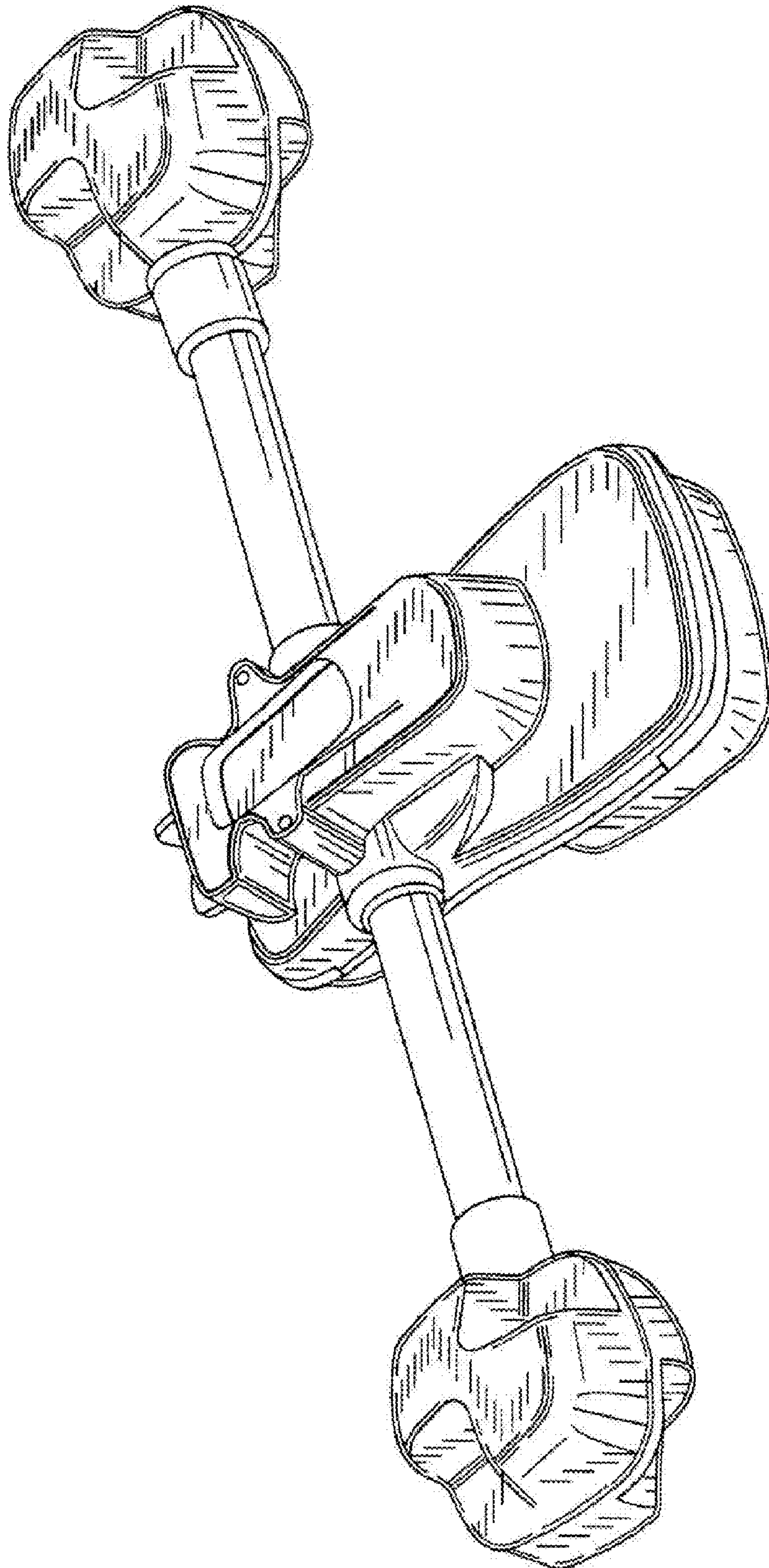
1 Claim, 6 Drawing Sheets

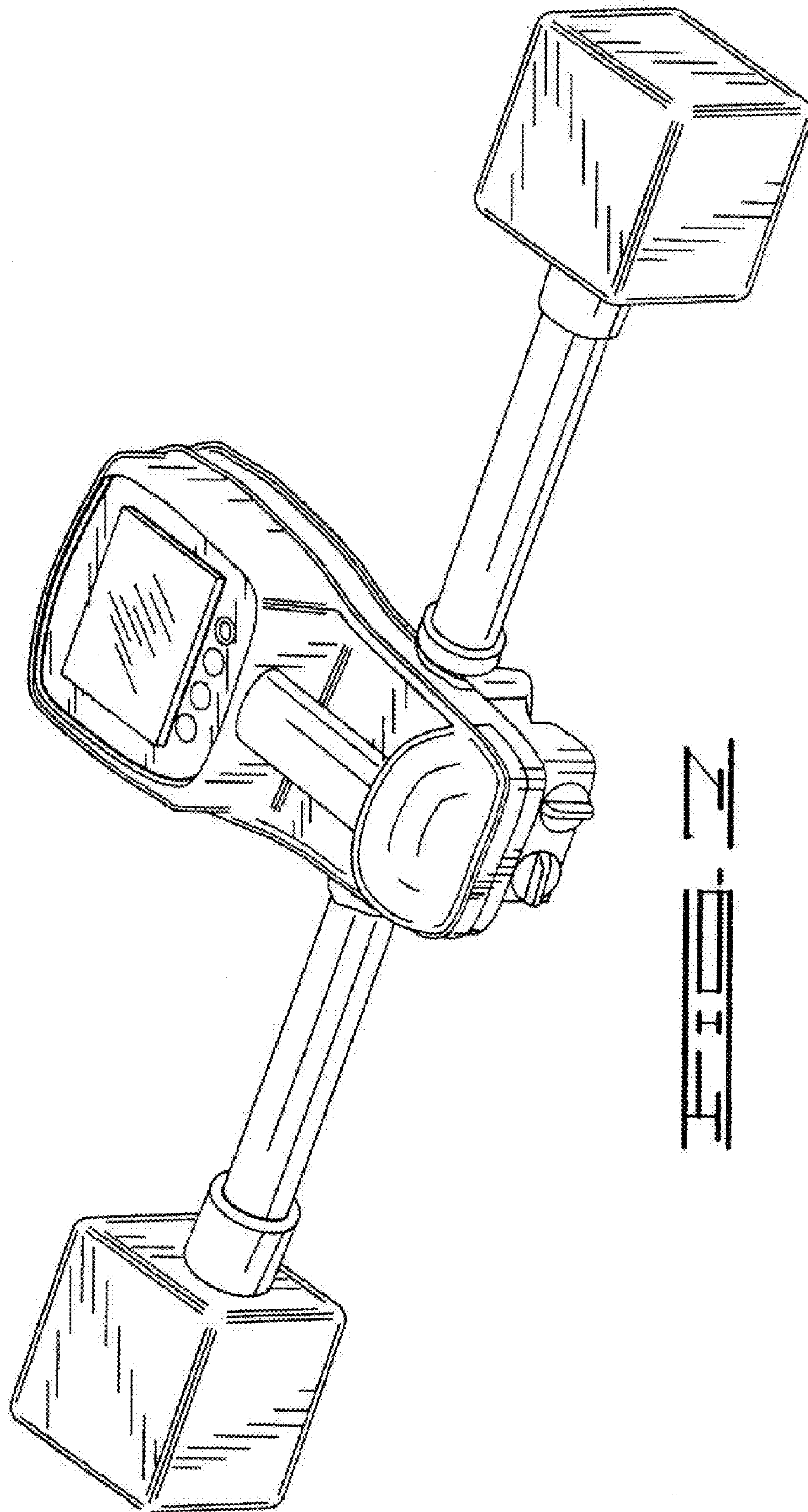












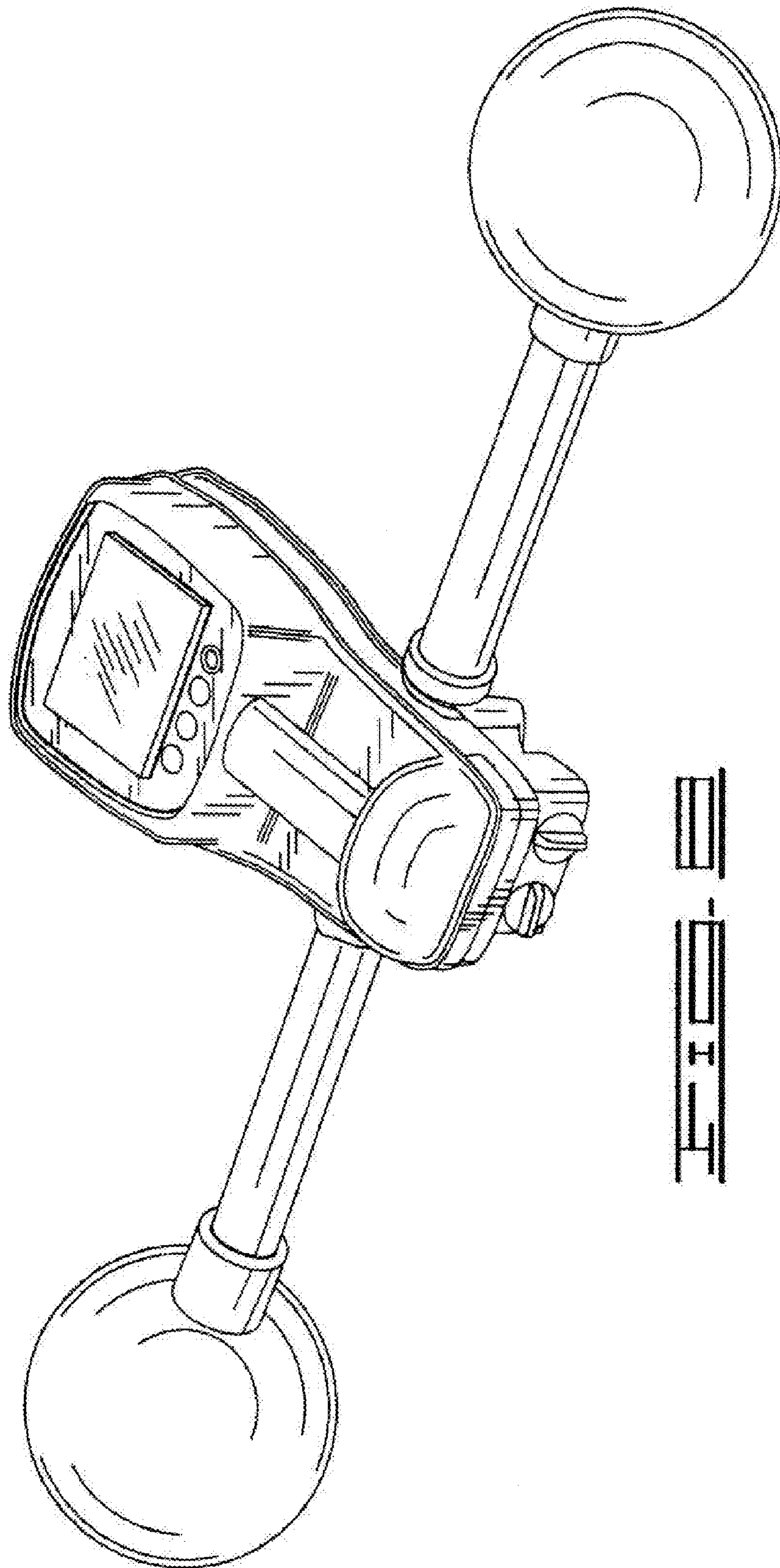


FIG. 6