



US00D579356S

(12) **United States Design Patent**
Allen

(10) **Patent No.:** **US D579,356 S**
(45) **Date of Patent:** **** Oct. 28, 2008**

(54) **NAVIGATION SYSTEM**

D562,708 S * 2/2008 Skelton et al. D10/65
D564,374 S * 3/2008 Wada D10/65

(75) Inventor: **David William Allen**, Davisburg, MI
(US)

* cited by examiner

(73) Assignee: **Navigation Solutions, LLC**, Plano, TX
(US)

Primary Examiner—Antoine D Davis
(74) *Attorney, Agent, or Firm*—Carlson, Gaskey & Olds

(**) Term: **14 Years**

(57) **CLAIM**

(21) Appl. No.: **29/297,863**

I claim the ornamental design for a navigation system, as shown and described.

(22) Filed: **Nov. 20, 2007**

(51) **LOC (8) Cl.** **10-04**

(52) **U.S. Cl.** **D10/65**

(58) **Field of Classification Search** D10/65,
D10/78; D14/347; 342/351, 419, 457, 357.06–357.13;
343/702; 345/87, 104, 133, 156, 168, 173,
345/901–905; 348/180, 184, 315, 739; 364/444,
364/499; 701/206–209, 213, 214
See application file for complete search history.

DESCRIPTION

FIG. 1 is a perspective view of an inventive navigation system.

FIG. 2 is a front view of the navigation system.

FIG. 3 is a first side view of the navigation system.

FIG. 4 is a second side view of the navigation system.

FIG. 5 is a top view of the navigation system.

FIG. 6 is a bottom view of the navigation system; and,

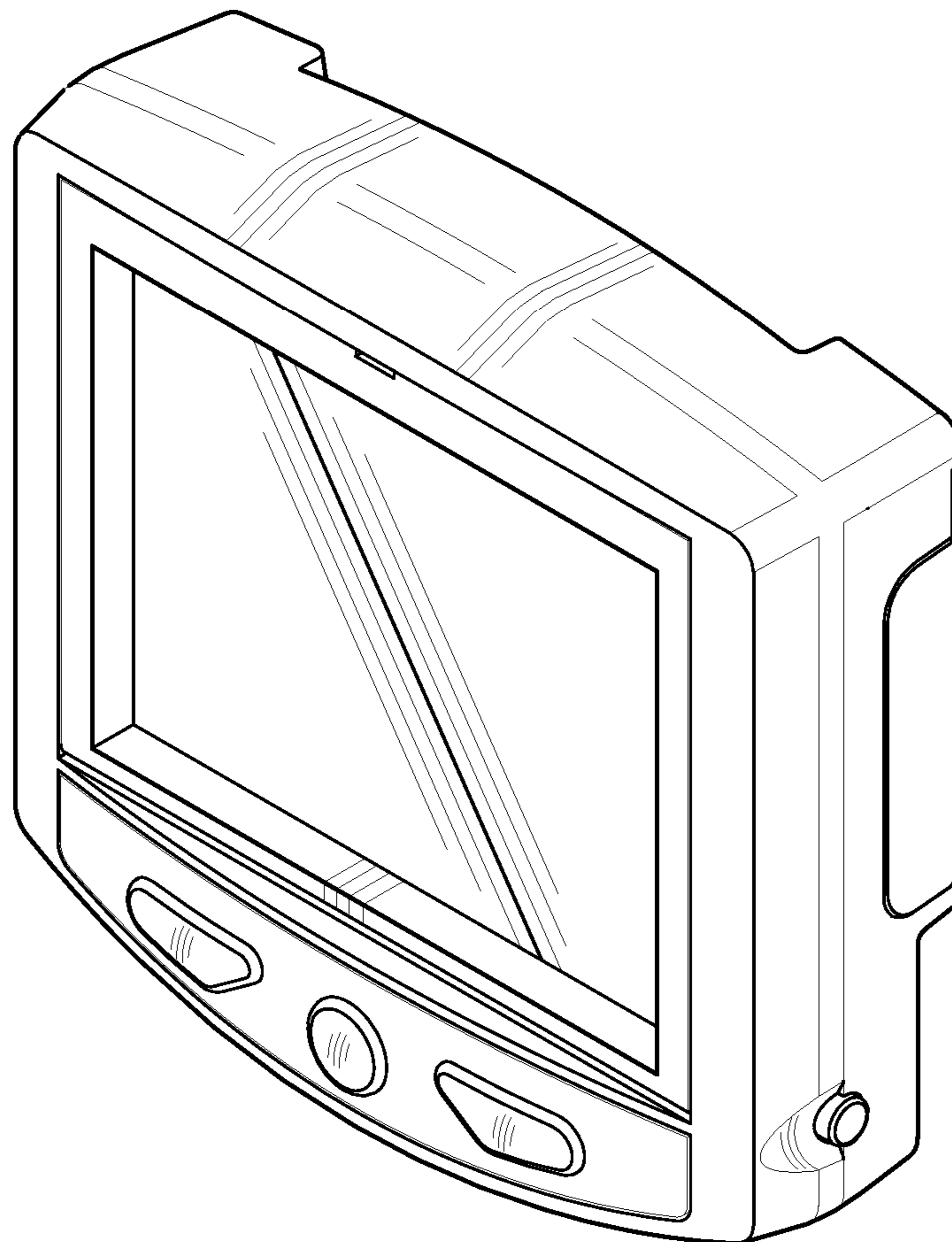
FIG. 7 is a rear view of the navigation system.

(56) **References Cited**

U.S. PATENT DOCUMENTS

D540,205 S * 4/2007 Hsu D10/65
D557,151 S * 12/2007 Clift D10/65

1 Claim, 4 Drawing Sheets



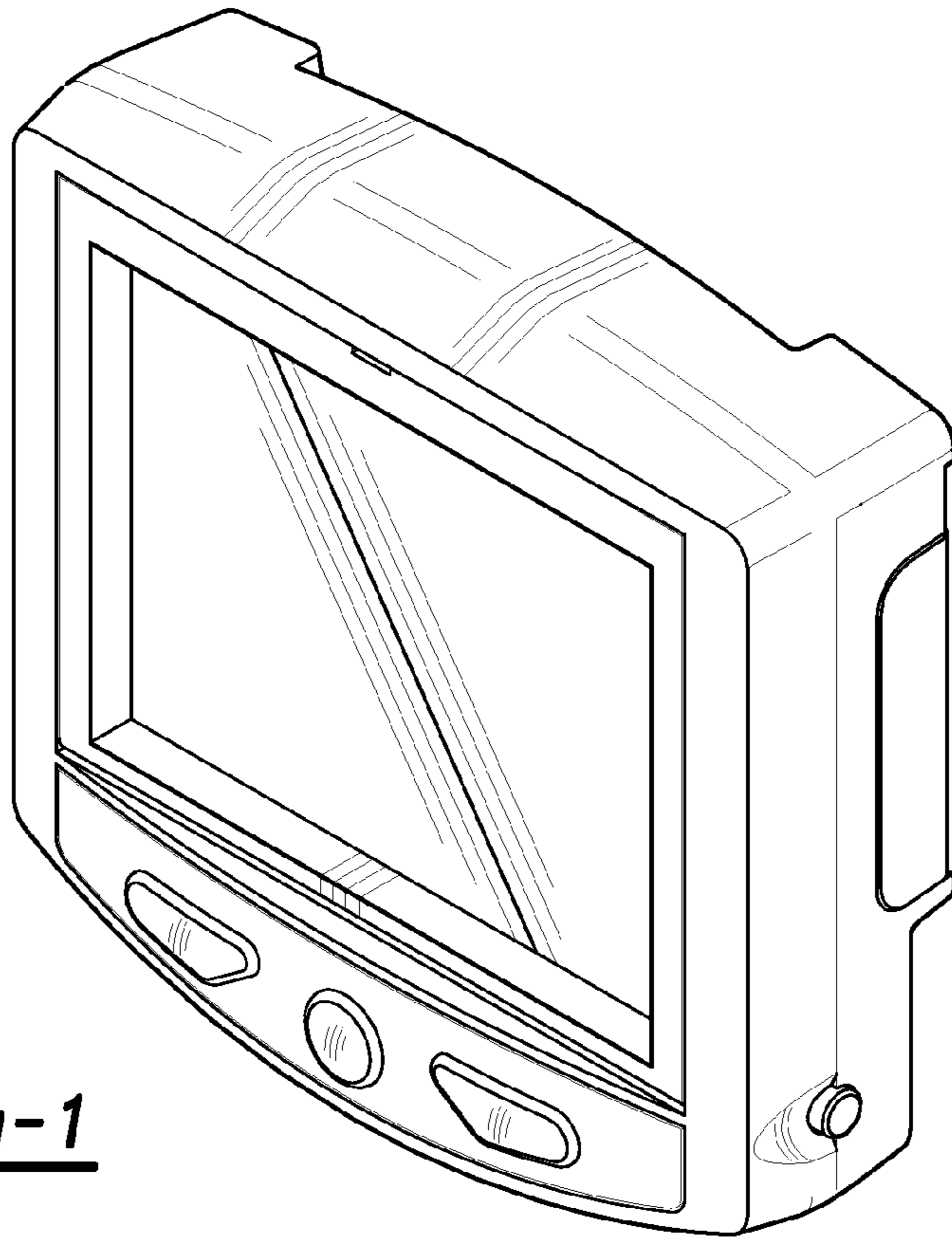


Fig-1

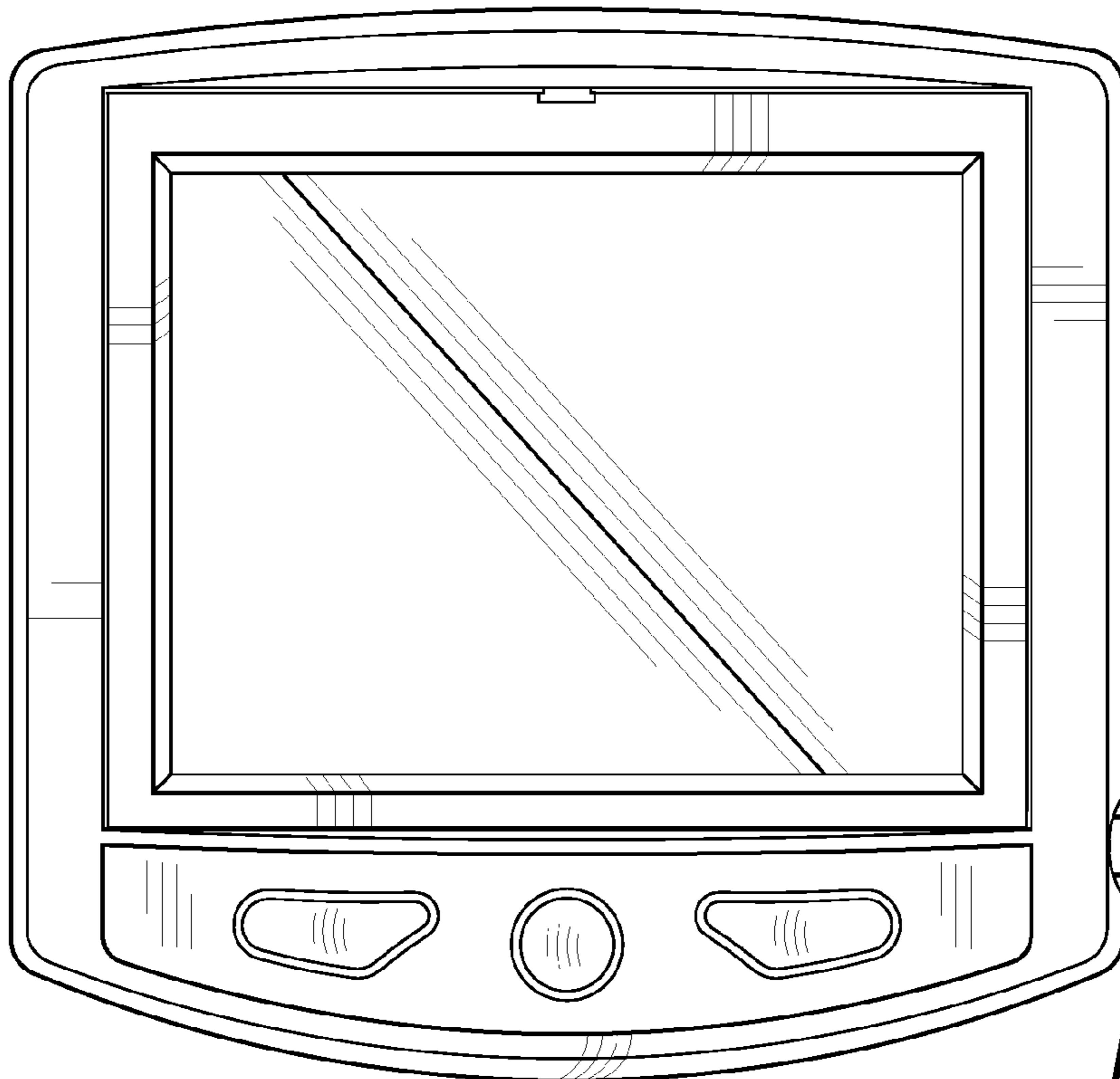


Fig-2

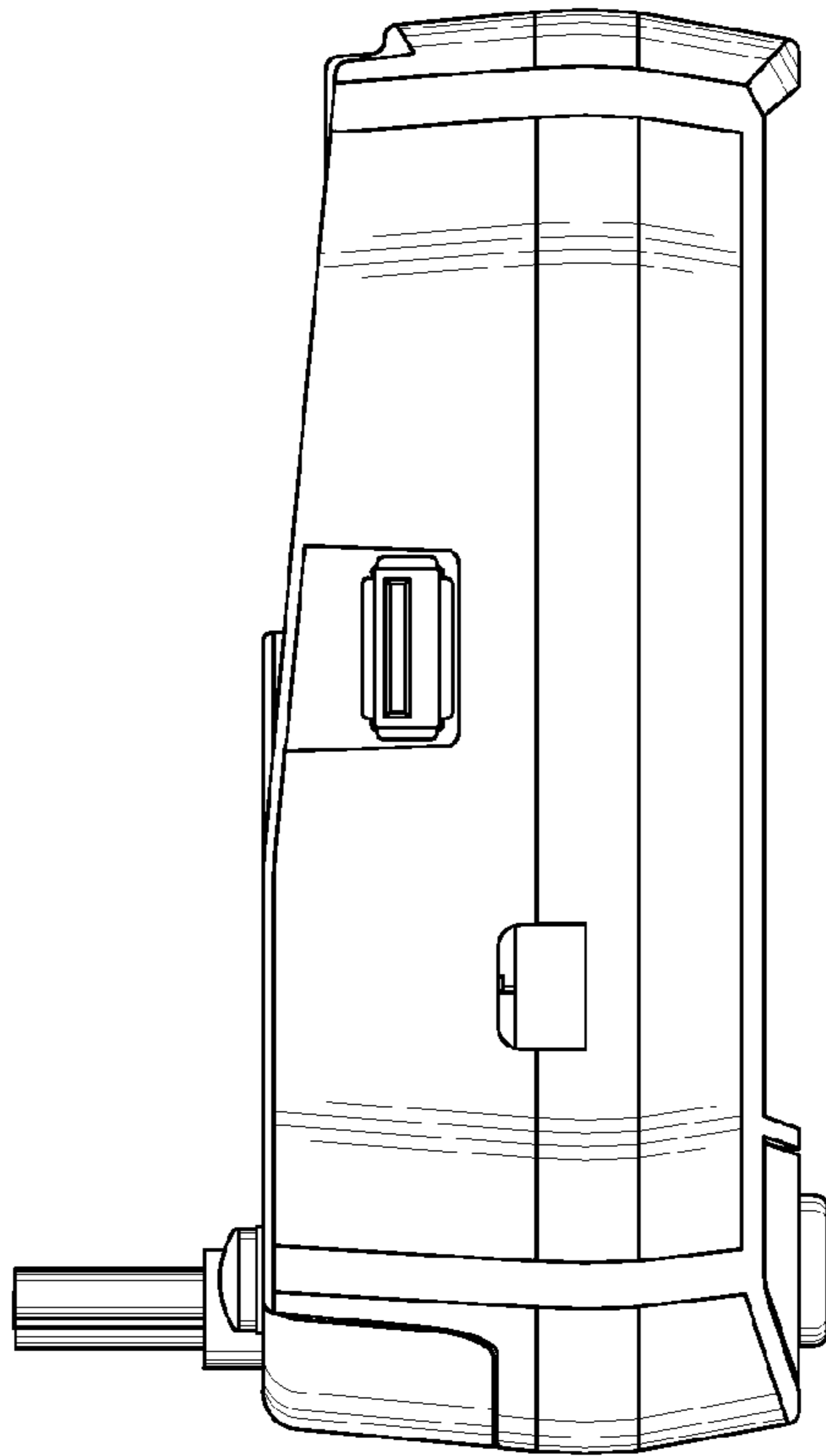
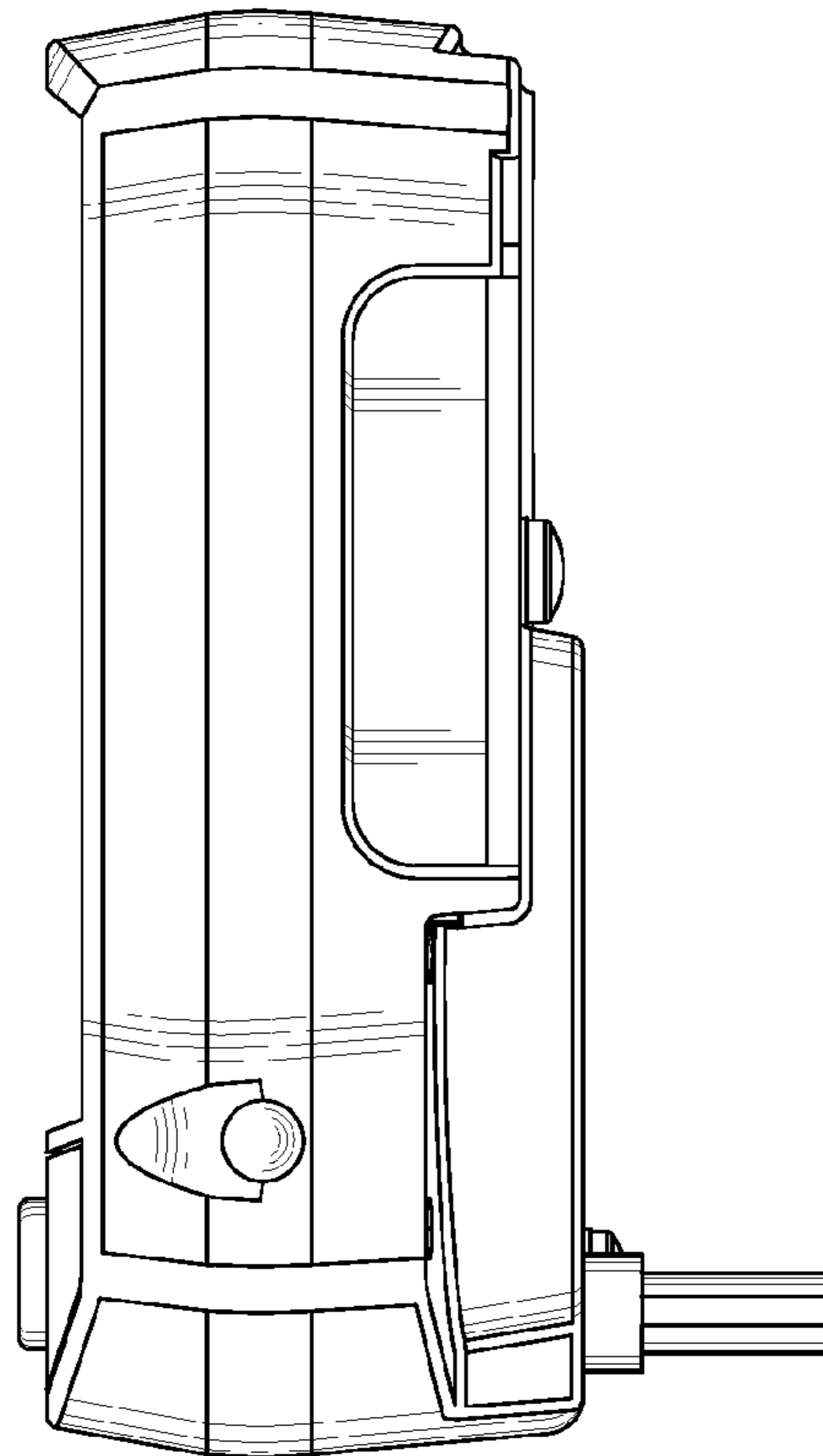


Fig-3

Fig-4



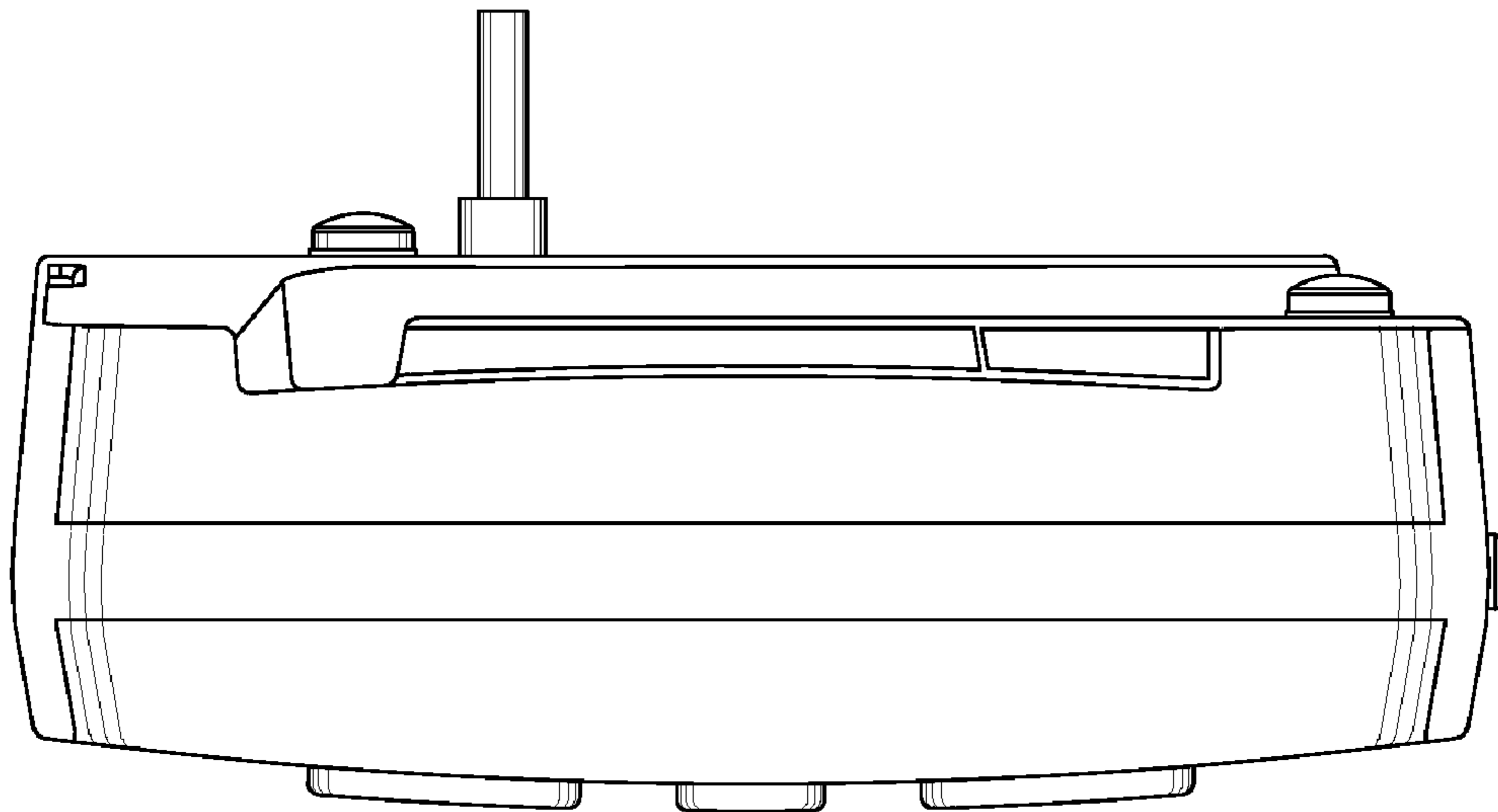


Fig-5

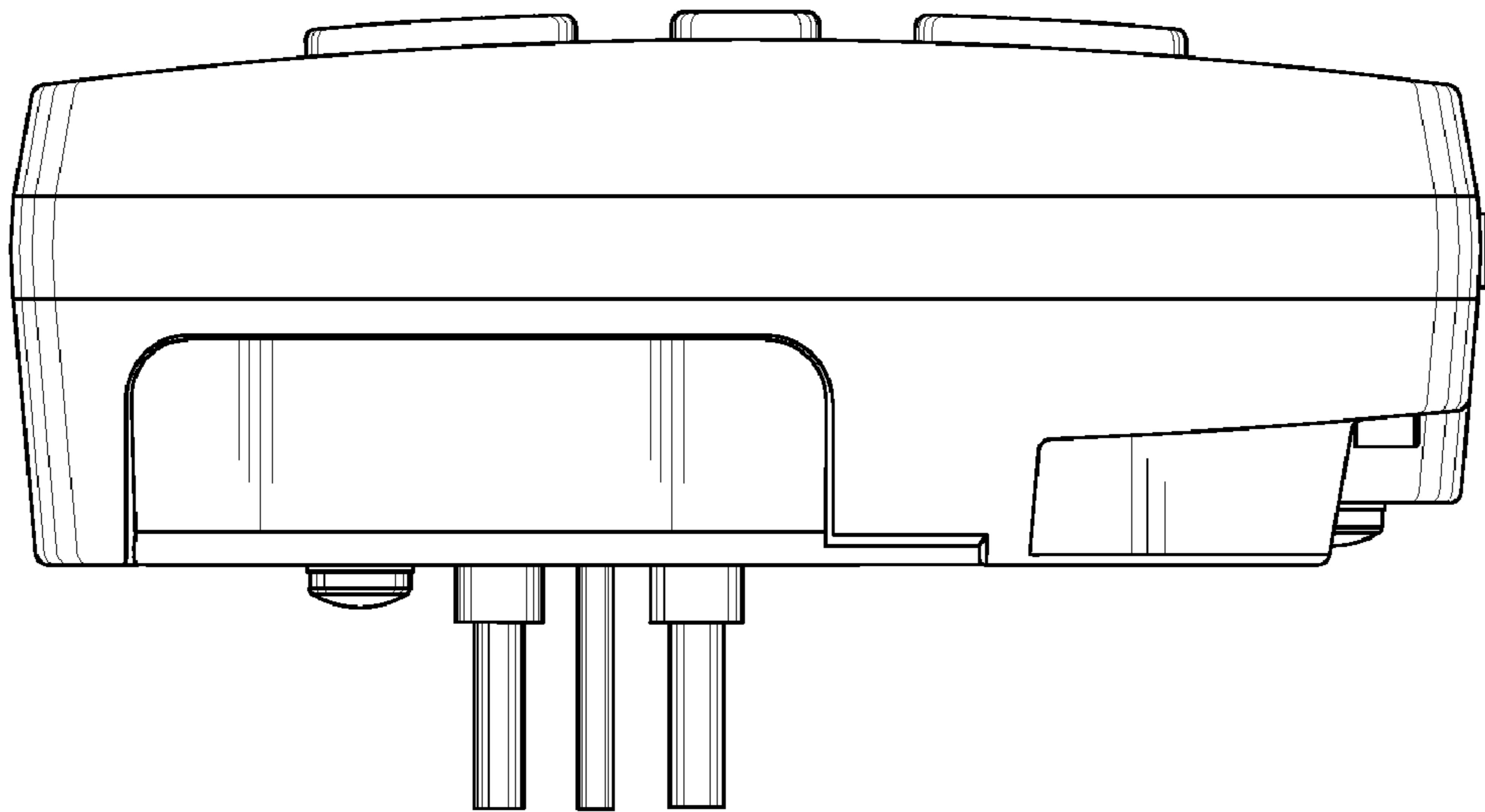


Fig-6

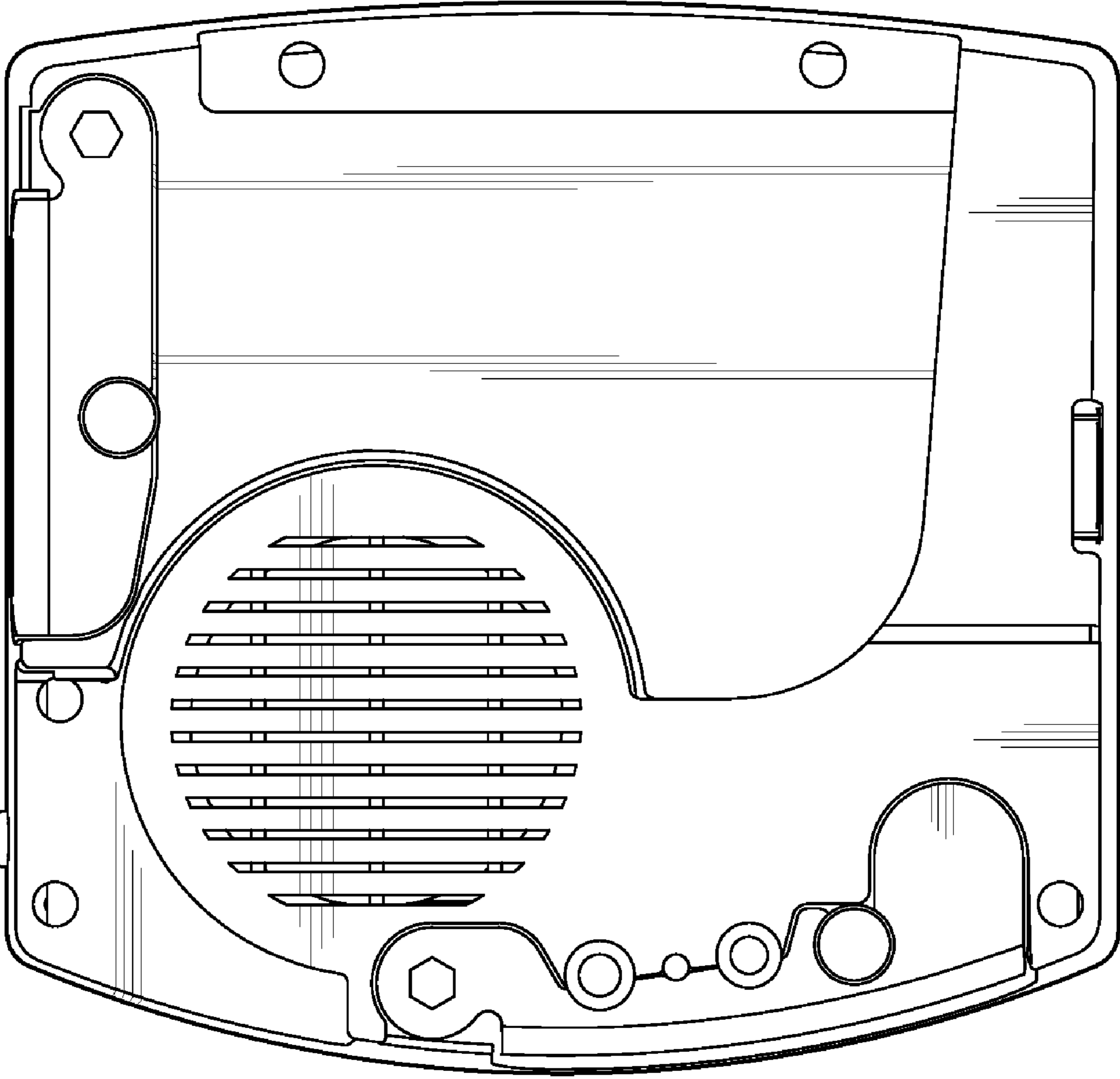


Fig-7