



US00D579354S

(12) **United States Design Patent**  
**Elie**

(10) **Patent No.:** **US D579,354 S**  
(45) **Date of Patent:** **\*\* Oct. 28, 2008**

(54) **TRACER FOR SPECTACLE FRAME RIMS**

2002/0166247 A1\* 11/2002 Andrews et al. .... 33/200  
2004/0016136 A1\* 1/2004 Igarashi et al. .... 33/200  
2008/0131222 A1\* 6/2008 Schaeffer ..... 408/8

(75) Inventor: **Francois Elie**, Domalain (FR)

\* cited by examiner

(73) Assignee: **Essilor International (Compagnie Generale d'Optique)**, Charenton le Pont (FR)

*Primary Examiner*—Antoine D Davis  
(74) *Attorney, Agent, or Firm*—Sughrue Mion, PLLC

(\*\*) Term: **14 Years**

(57) **CLAIM**

(21) Appl. No.: **29/290,038**

The ornamental design for a tracer for spectacle frame rims, as shown and described.

(22) Filed: **Oct. 15, 2007**

(30) **Foreign Application Priority Data**

**DESCRIPTION**

Apr. 19, 2007 (EM) ..... 000715396-0002

FIG. 1 is a perspective view of a tracer for spectacle frame rims showing my new design;

(51) **LOC (8) Cl.** ..... **10-04**

FIG. 2 is a front view thereof;

(52) **U.S. Cl.** ..... **D10/64; D10/65**

FIG. 3 is a rear view thereof;

(58) **Field of Classification Search** ..... D10/64-65;  
33/28, 200, 507, 558.01; 451/5, 8-11, 42-44,  
451/240

FIG. 4 is a left side view thereof;

FIG. 5 is a right side view thereof;

See application file for complete search history.

FIG. 6 is a top view thereof; and,

FIG. 7 is a bottom view thereof.

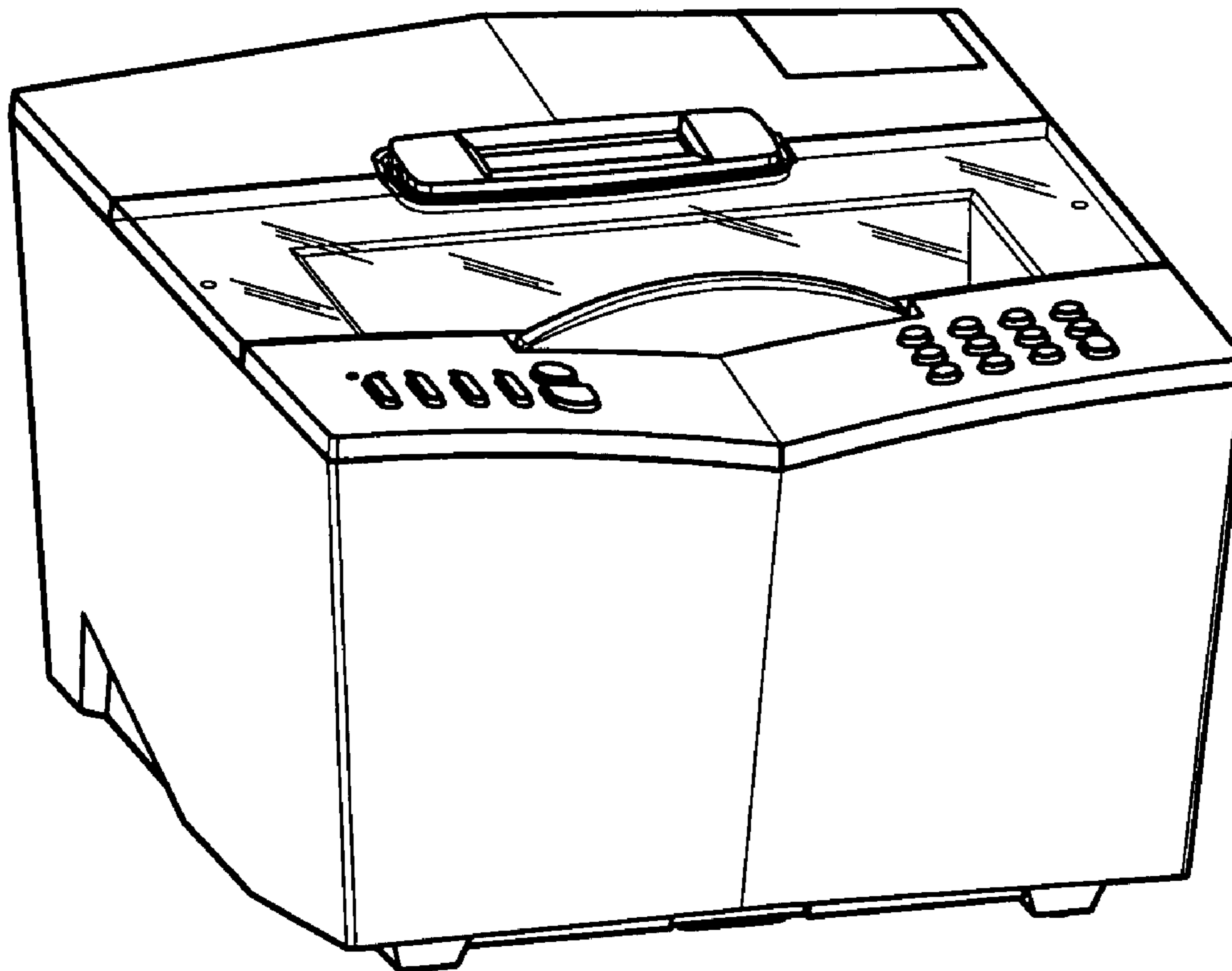
The broken line showing of structural features is included for the purpose of illustrating non-claimed subject matter and forms no part of the claimed design.

(56) **References Cited**

**U.S. PATENT DOCUMENTS**

D327,025 S \* 6/1992 Elie ..... D10/64  
D381,343 S \* 7/1997 Elie ..... D15/124  
7,198,547 B2 \* 4/2007 Kim et al. .... 451/8

**1 Claim, 7 Drawing Sheets**



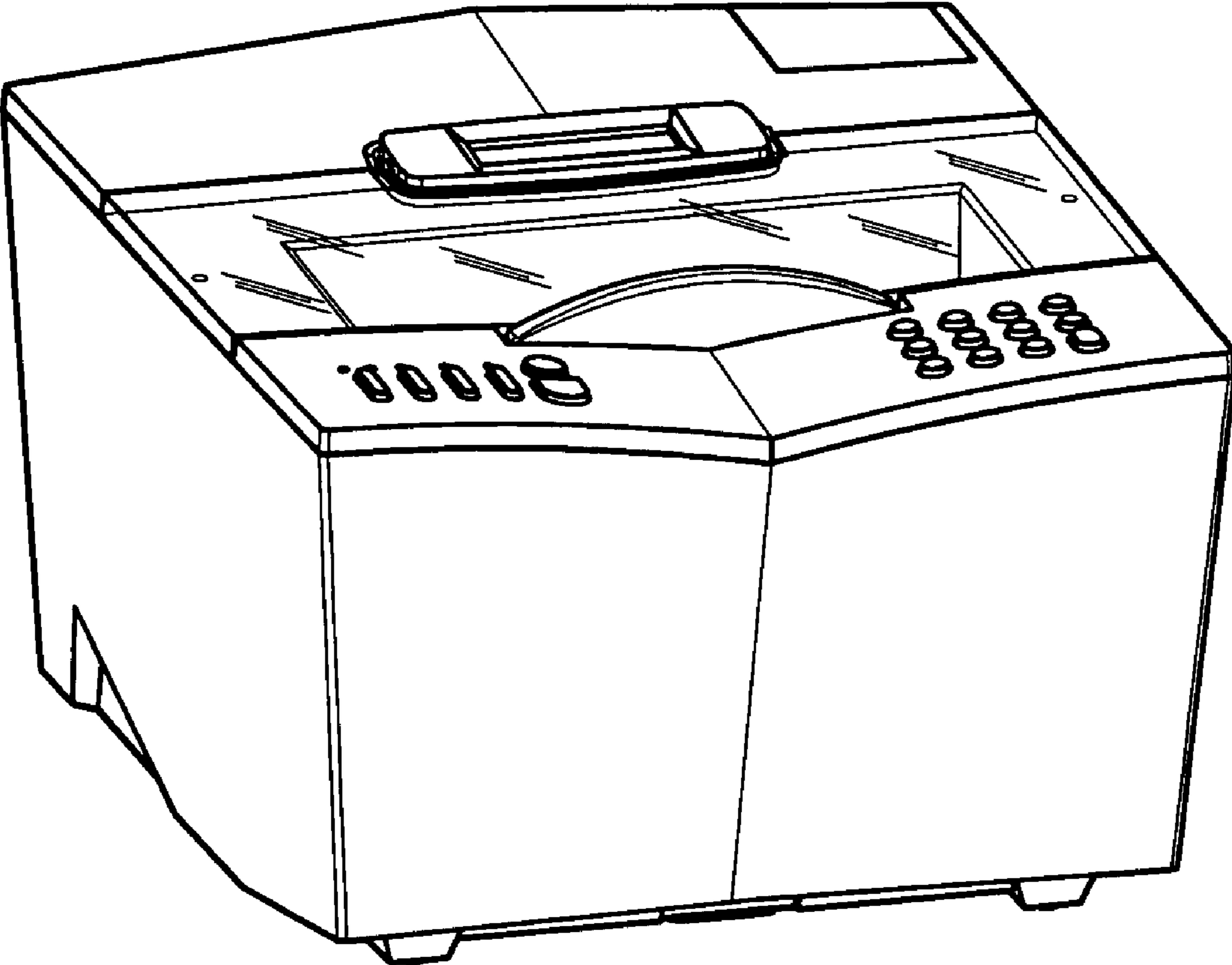


FIG.1

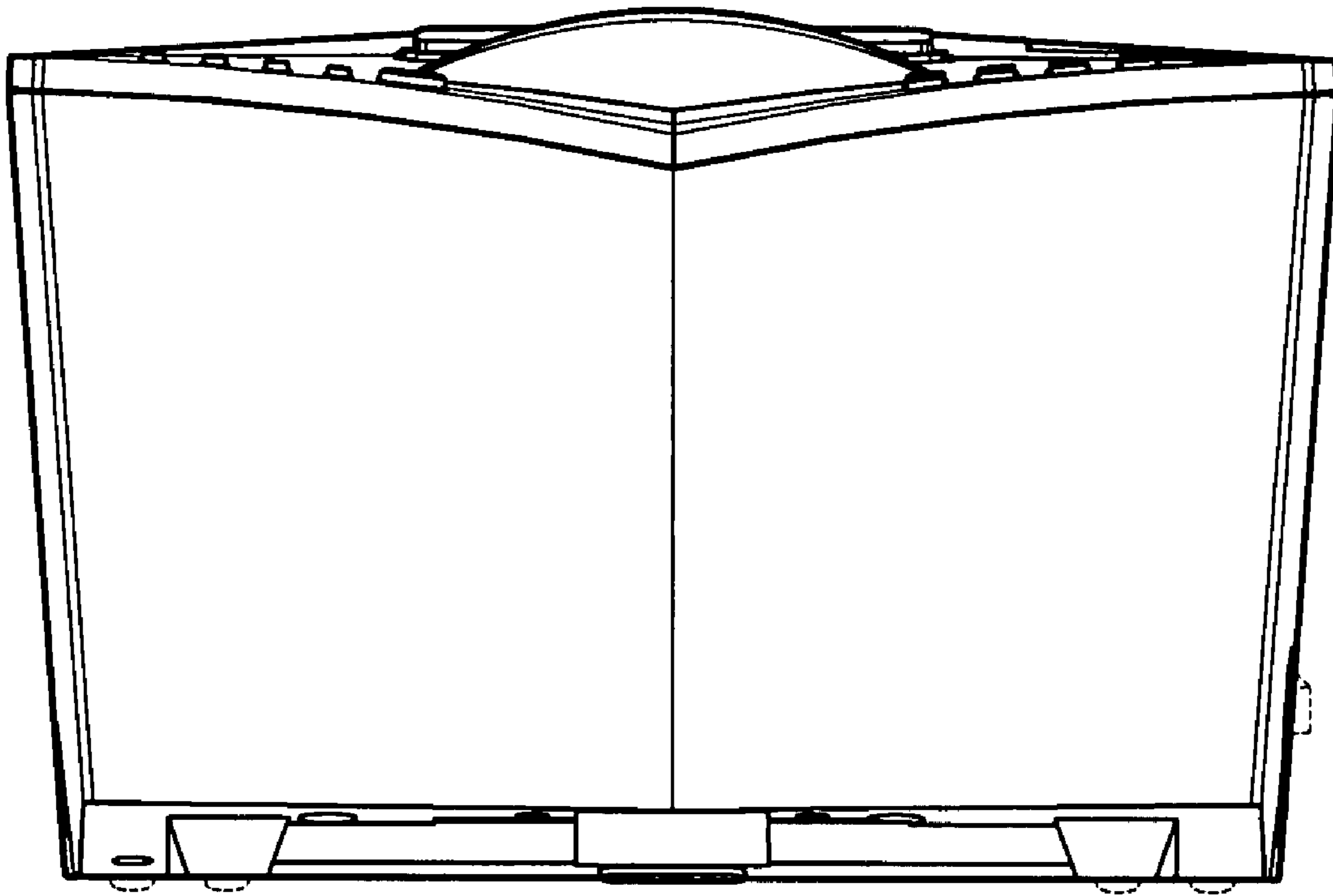


FIG.2

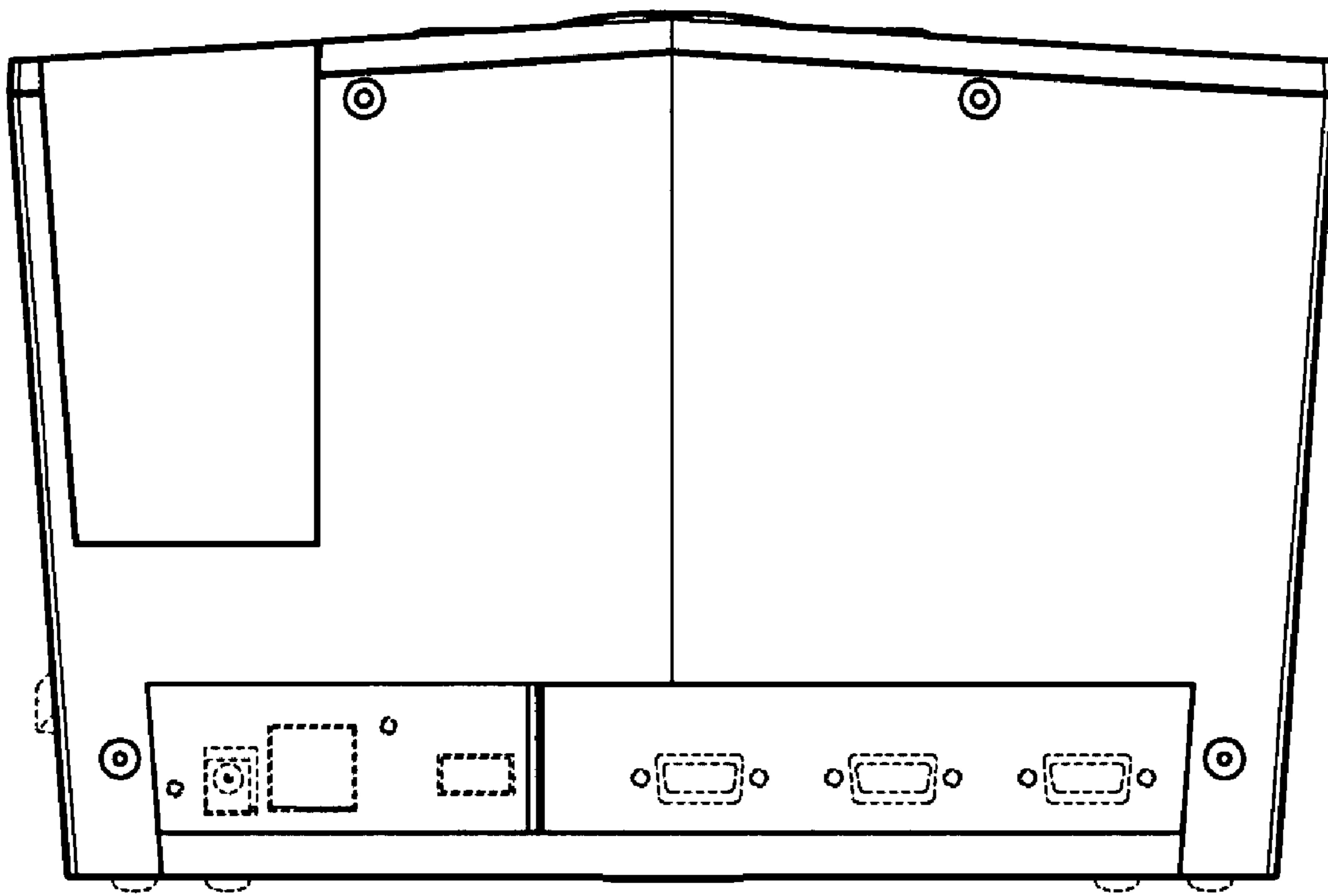


FIG.3

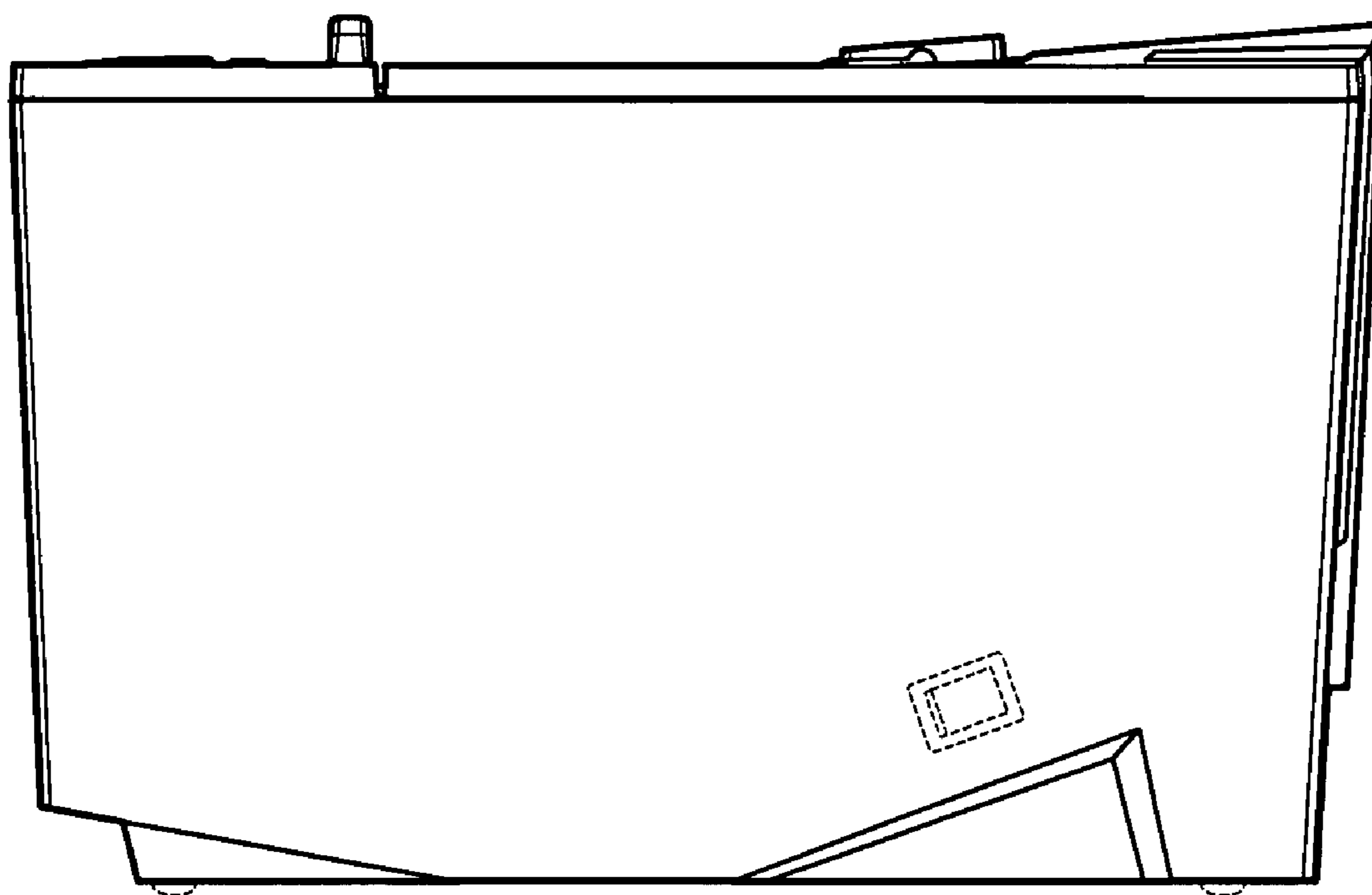


FIG.4

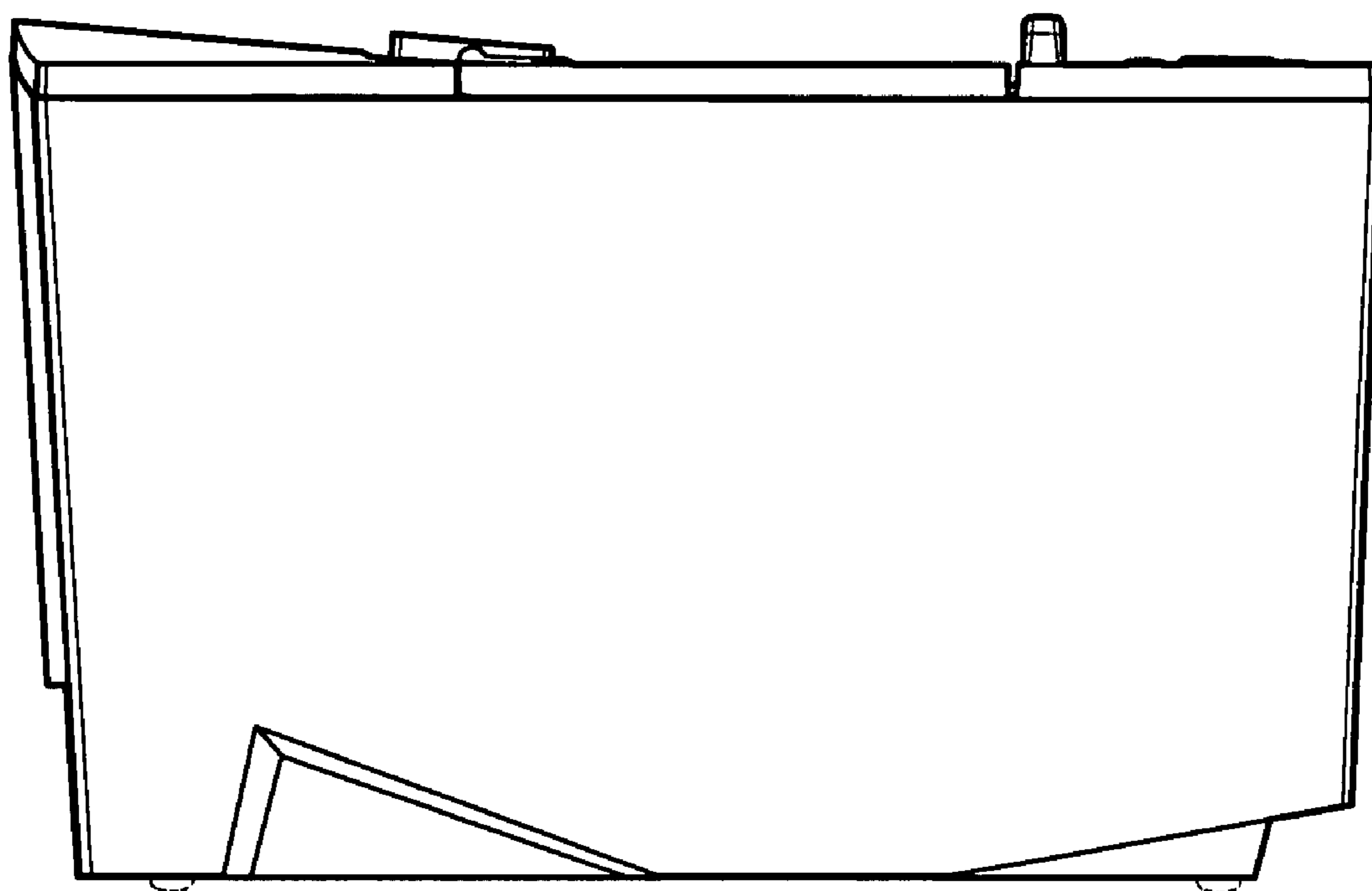


FIG.5

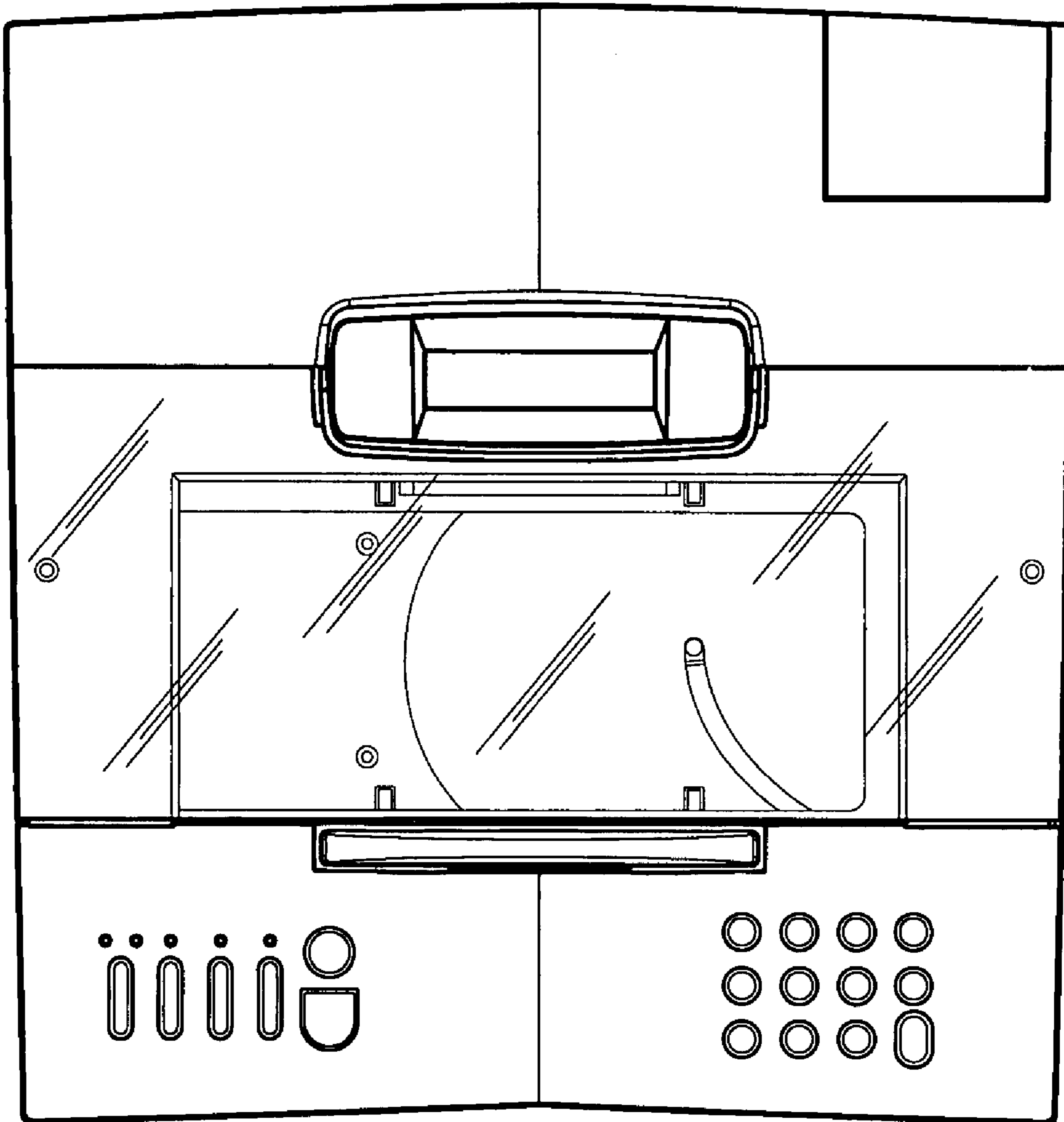


FIG.6

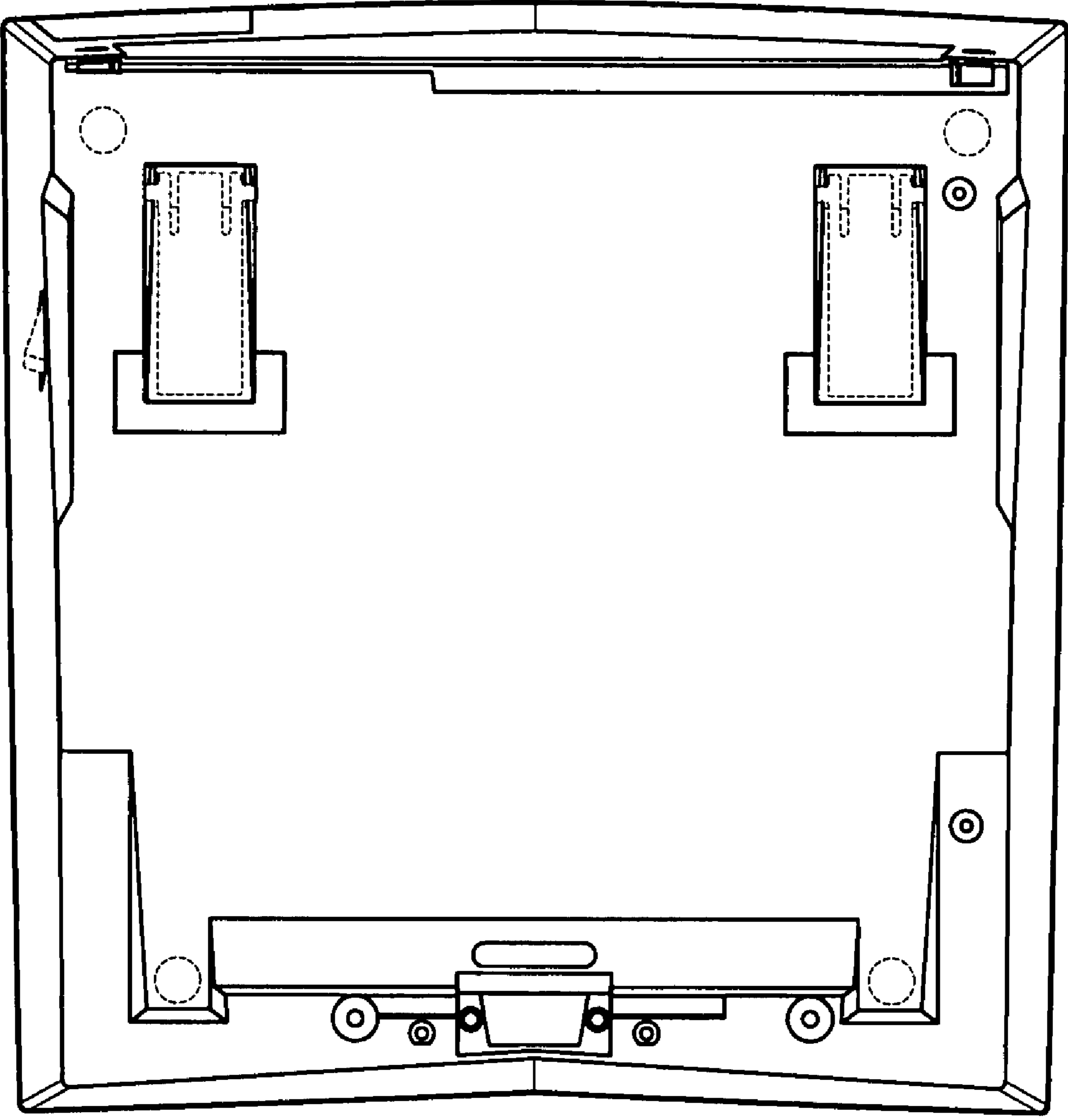


FIG.7