

US00D579353S

(12) **United States Design Patent**
Robinson et al.

(10) **Patent No.:** **US D579,353 S**
(45) **Date of Patent:** **** Oct. 28, 2008**

(54) **HUB**

7,378,954 B2 * 5/2008 Wendt 340/539.11

(75) Inventors: **Robert J. Robinson**, Jamison, PA (US);
Timothy C. Repp, Pleasant Valley, CT (US)

* cited by examiner

Primary Examiner—Antoine D Davis
(74) *Attorney, Agent, or Firm*—Roberts & Roberts, LLP

(73) Assignee: **Royal Consumer Information Products Inc.**, Somerset, NJ (US)

(57) **CLAIM**

(**) Term: **14 Years**

The ornamental design for a hub, as shown and described.

(21) Appl. No.: **29/299,324**

DESCRIPTION

(22) Filed: **Dec. 21, 2007**

FIG. 1 is a front perspective view of a hub showing our new design.

(51) **LOC (8) Cl.** **10-04**

FIG. 2 is a top side view thereof.

(52) **U.S. Cl.** **D10/53**

FIG. 3 is a front side view thereof.

(58) **Field of Classification Search** D10/52-53;
68/10; 73/170.16; 368/10, 73, 223, 251,
368/63, 82, 11; 340/539, 601; 374/162,
374/201, 202, 208-209

FIG. 4 is a left side view thereof.

FIG. 5 is a right side view thereof.

See application file for complete search history.

FIG. 6 is a rear side view thereof; and,

FIG. 7 is a bottom side view thereof.

(56) **References Cited**

The broken line showing of structural features are included for the purpose of illustrating non-claimed subject matter and forms no part of the claimed design.

U.S. PATENT DOCUMENTS

D447,706 S * 9/2001 Bj.o slashed.rn D10/53
D457,812 S * 5/2002 Chan D10/14

1 Claim, 4 Drawing Sheets

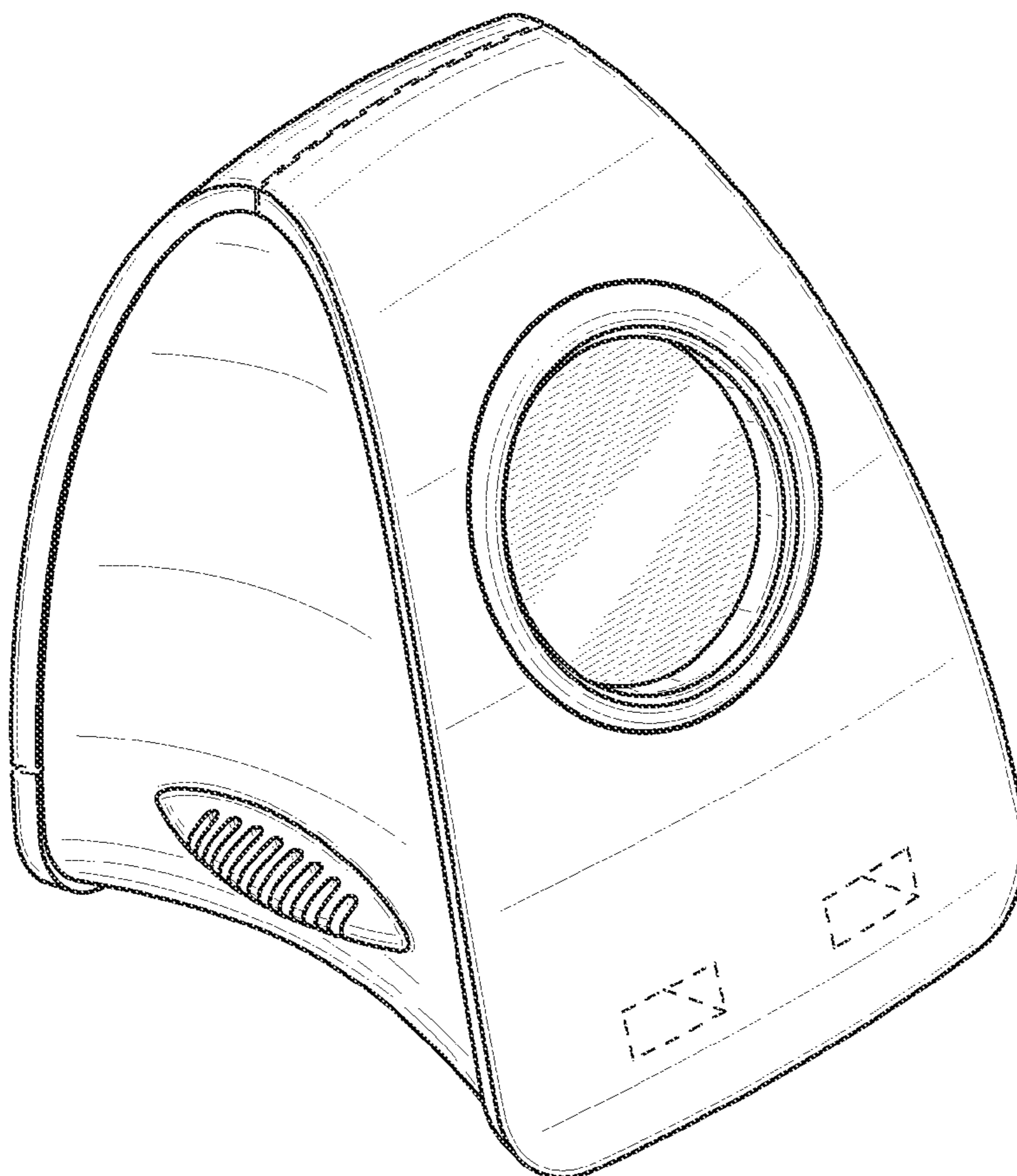


FIG. 1

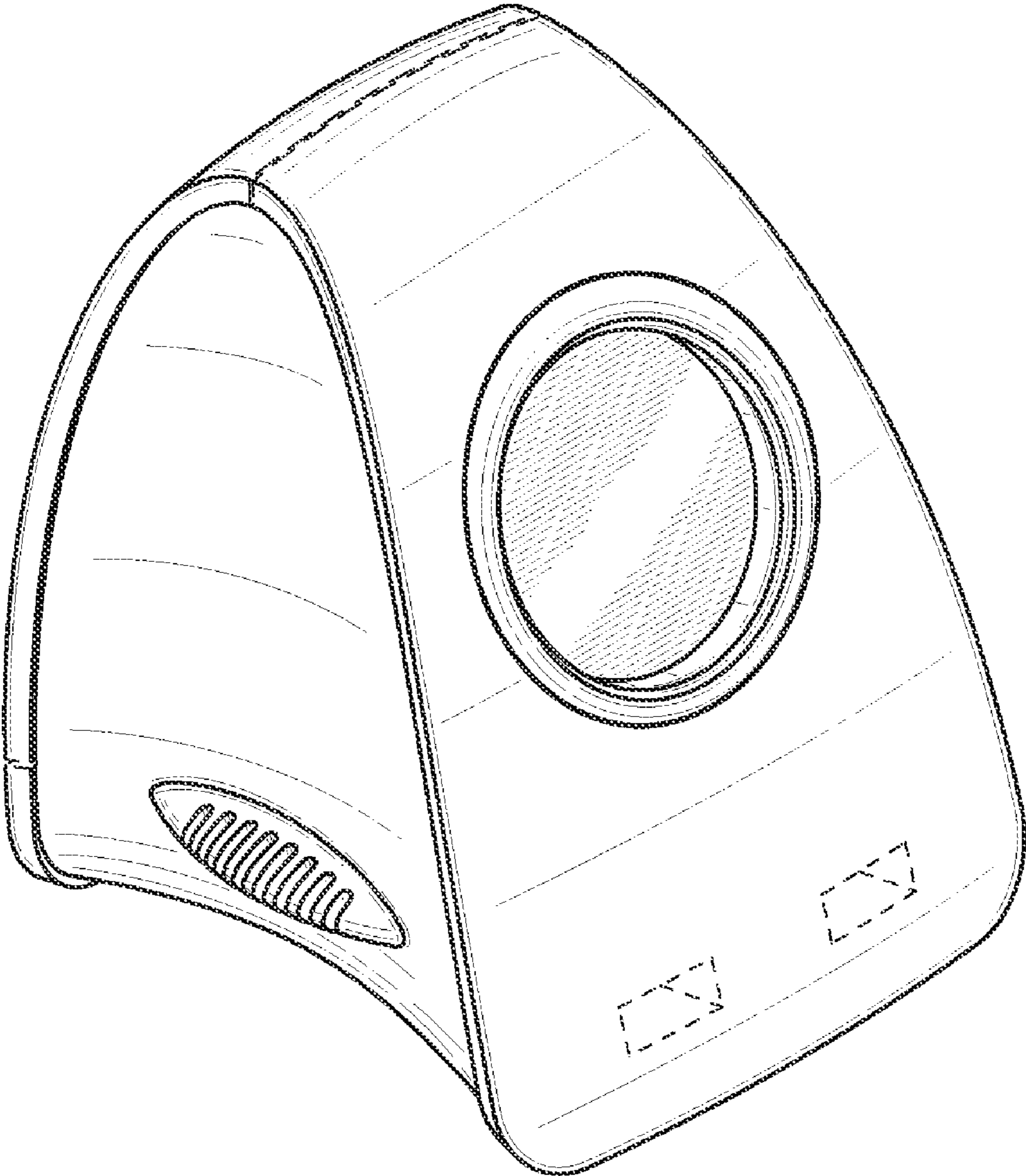


FIG. 2

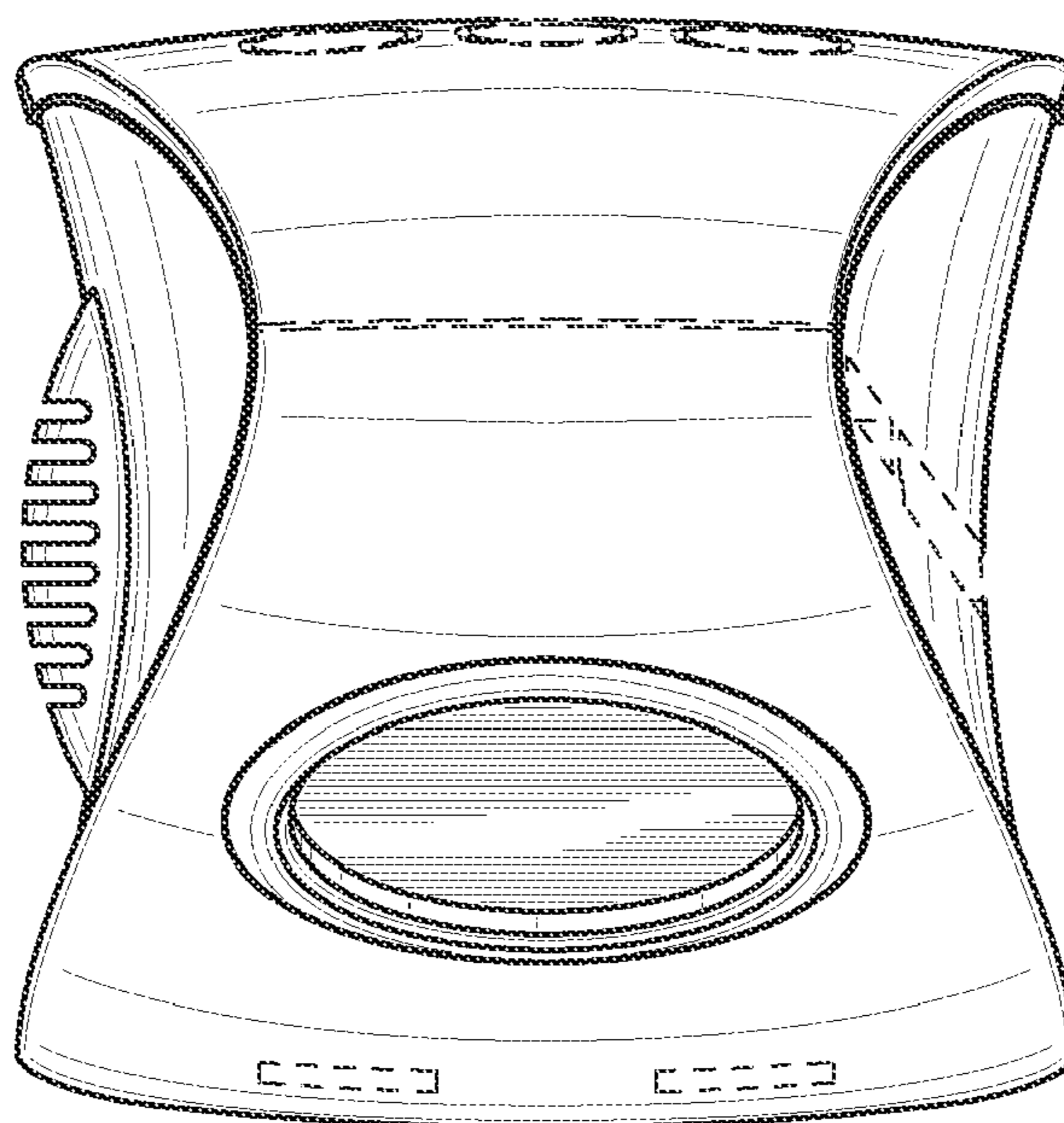


FIG. 3

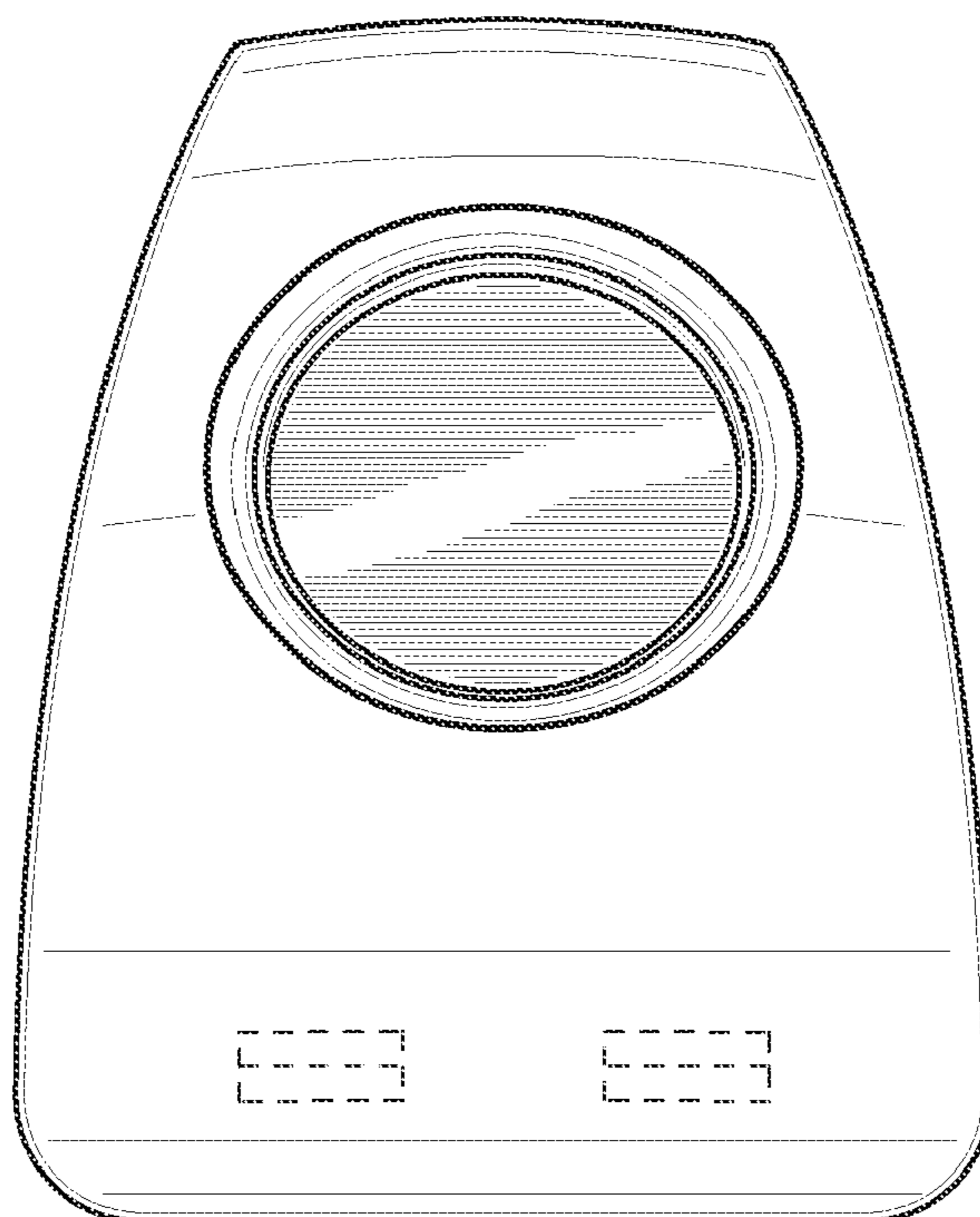


FIG. 4

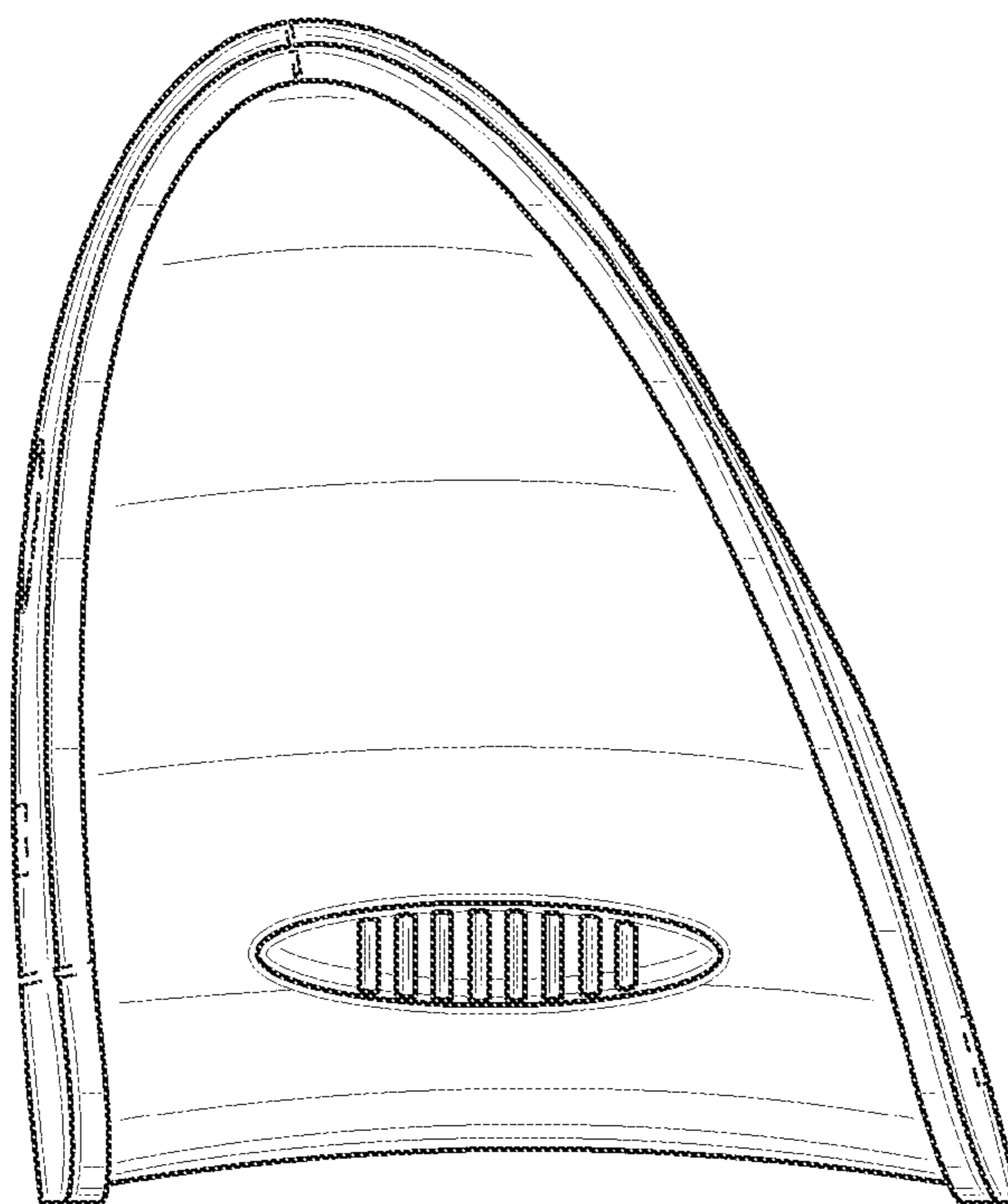


FIG. 5

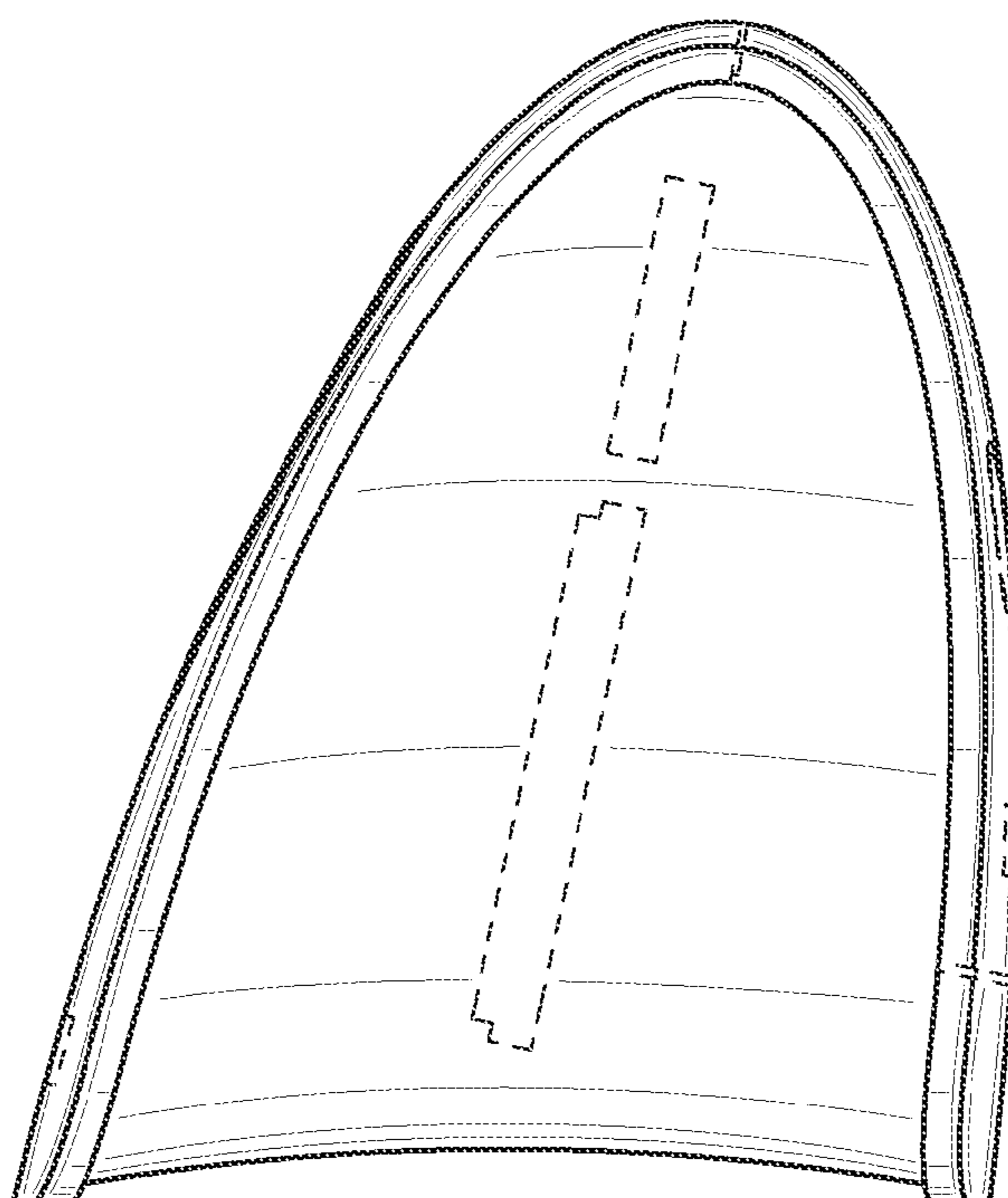


FIG. 6

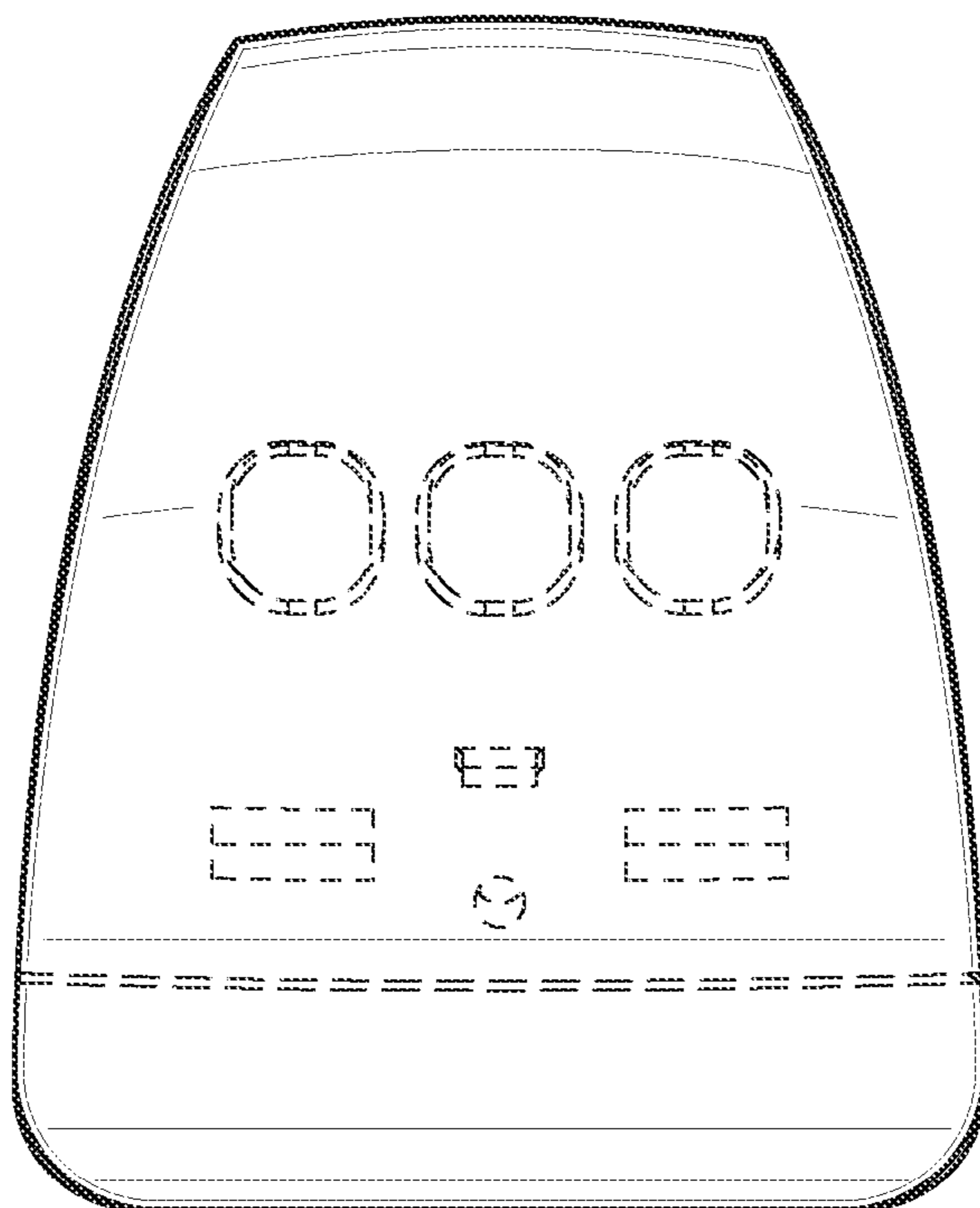


FIG. 7

