



US00D579347S

(12) **United States Design Patent**
Kohring

(10) **Patent No.:** **US D579,347 S**
(45) **Date of Patent:** **** Oct. 28, 2008**

(54) **RAZOR CARTRIDGE CONTAINER**

(75) Inventor: **Douglas Robert Kohring**, Chelmsford,
MA (US)

(73) Assignee: **The Gillette Company**, Boston, MA
(US)

(**) Term: **14 Years**

(21) Appl. No.: **29/285,049**

(22) Filed: **Mar. 20, 2007**

(51) **LOC (8) Cl.** **09-01**

(52) **U.S. Cl.** **D9/735**

(58) **Field of Classification Search** D9/414,
D9/416, 417, 418, 420, 424, 425, 430, 432,
D9/499, 630, 730-732, 735, 736, 748, 749;
D3/203.1, 203.2, 203.3; 206/356, 536; 215/215;
220/259.5, 315, 345.1, 345.2, 345.4, 350;
429/97; 221/155, 279, 281

See application file for complete search history.

(56) **References Cited**

U.S. PATENT DOCUMENTS

D247,349 S *	2/1978	Carr	D9/736
D249,637 S *	9/1978	Iten	D9/736
D256,996 S *	9/1980	Kiraly	D9/736
D256,997 S *	9/1980	Motta	D9/736
D256,998 S *	9/1980	Motta	D9/736
4,232,785 A	11/1980	Lucas		
D296,191 S *	6/1988	Yoshida et al.	D9/425
D312,568 S *	12/1990	Gray	D9/736
D316,962 S *	5/1991	Gray	D9/736

D366,611 S *	1/1996	Poisson	D9/736
D397,290 S *	8/1998	Petricca et al.	D9/736
D400,099 S *	10/1998	Brauner et al.	D9/431
5,946,805 A	9/1999	Oldroyd		
D417,146 S *	11/1999	St. Pierre et al.	D9/732
6,041,926 A	3/2000	Petricca		
6,161,287 A	12/2000	Swanson et al.		
6,413,599 B1	7/2002	Petricca et al.		
6,499,595 B1	12/2002	Petricca		
6,648,140 B2	11/2003	Petricca		
6,886,690 B2	5/2005	Petricca		
D549,574 S *	8/2007	Watson et al.	D9/425

* cited by examiner

Primary Examiner—Stella M. Reid

Assistant Examiner—Shanda C. Hill

(74) *Attorney, Agent, or Firm*—Kevin C. Johnson

(57) **CLAIM**

The ornamental design for a razor cartridge container, as shown and described.

DESCRIPTION

FIG. 1 is a perspective view of a razor cartridge container showing my new design;

FIG. 2 is a front elevational view thereof;

FIG. 3 is a rear elevational view thereof;

FIG. 4 is a left side elevational view thereof, the right side elevational view being a mirror image thereof;

FIG. 5 is a top plan view thereof; and,

FIG. 6 is a bottom plan view thereof.

1 Claim, 6 Drawing Sheets

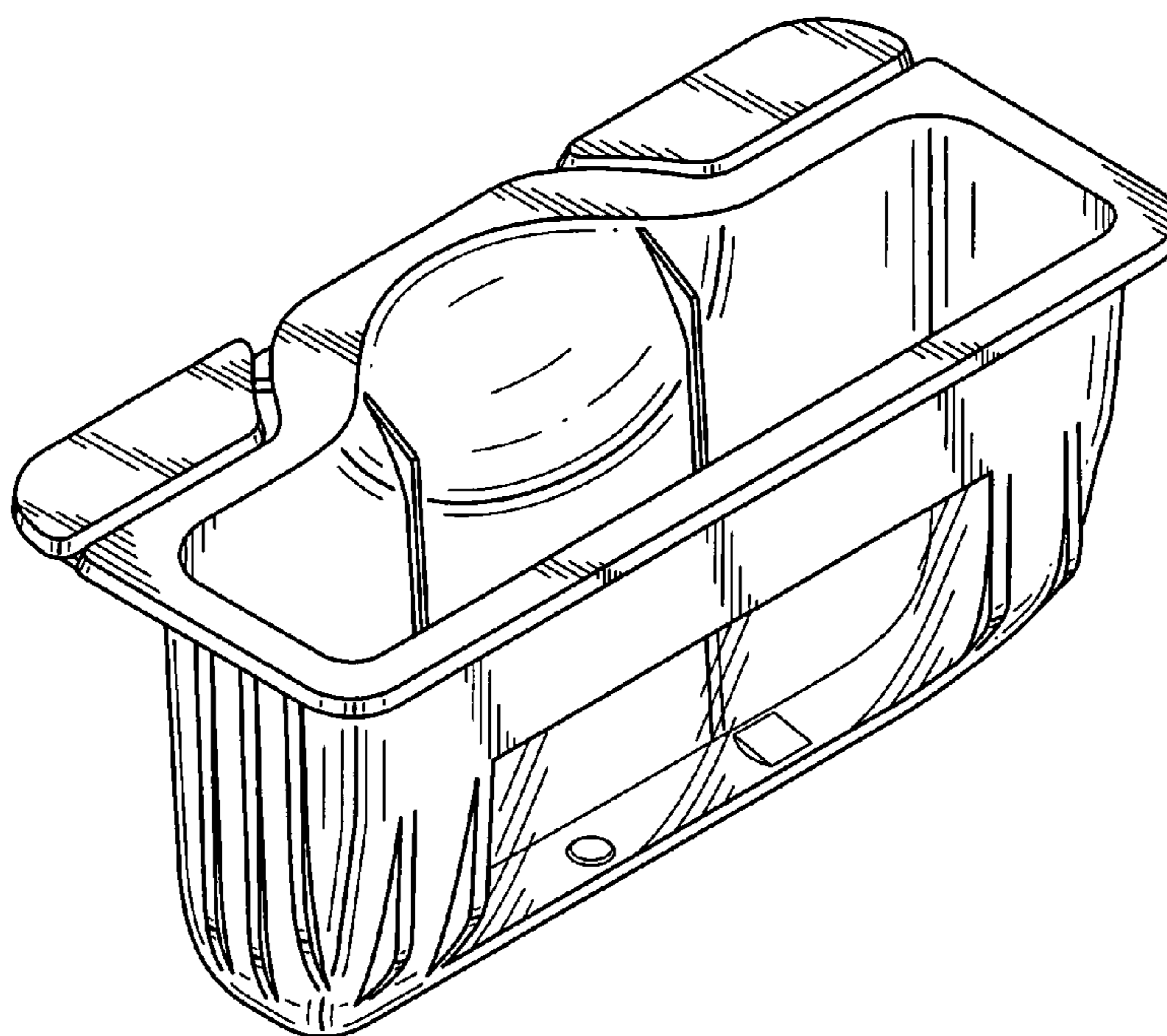


FIG. 1

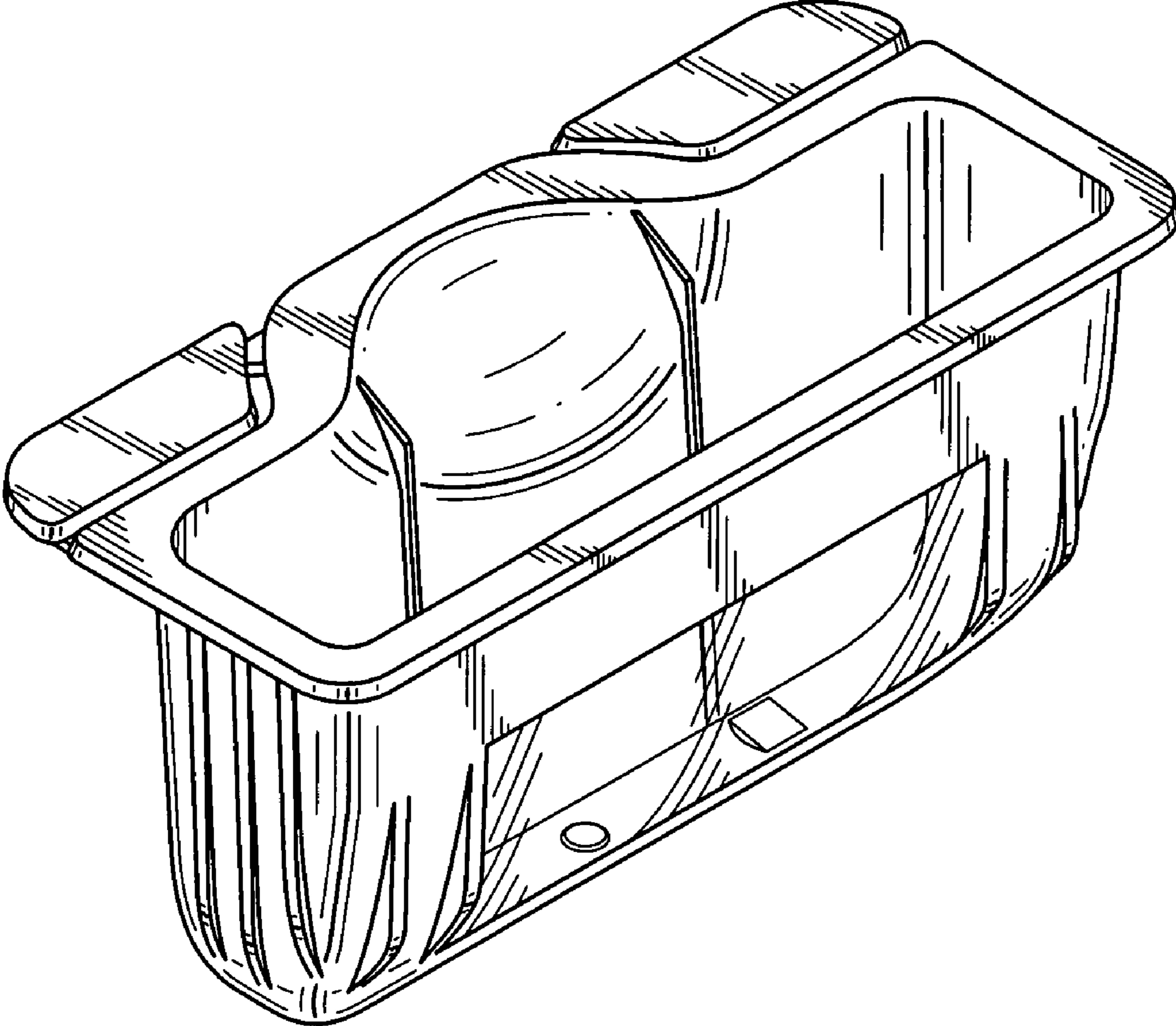


FIG. 2

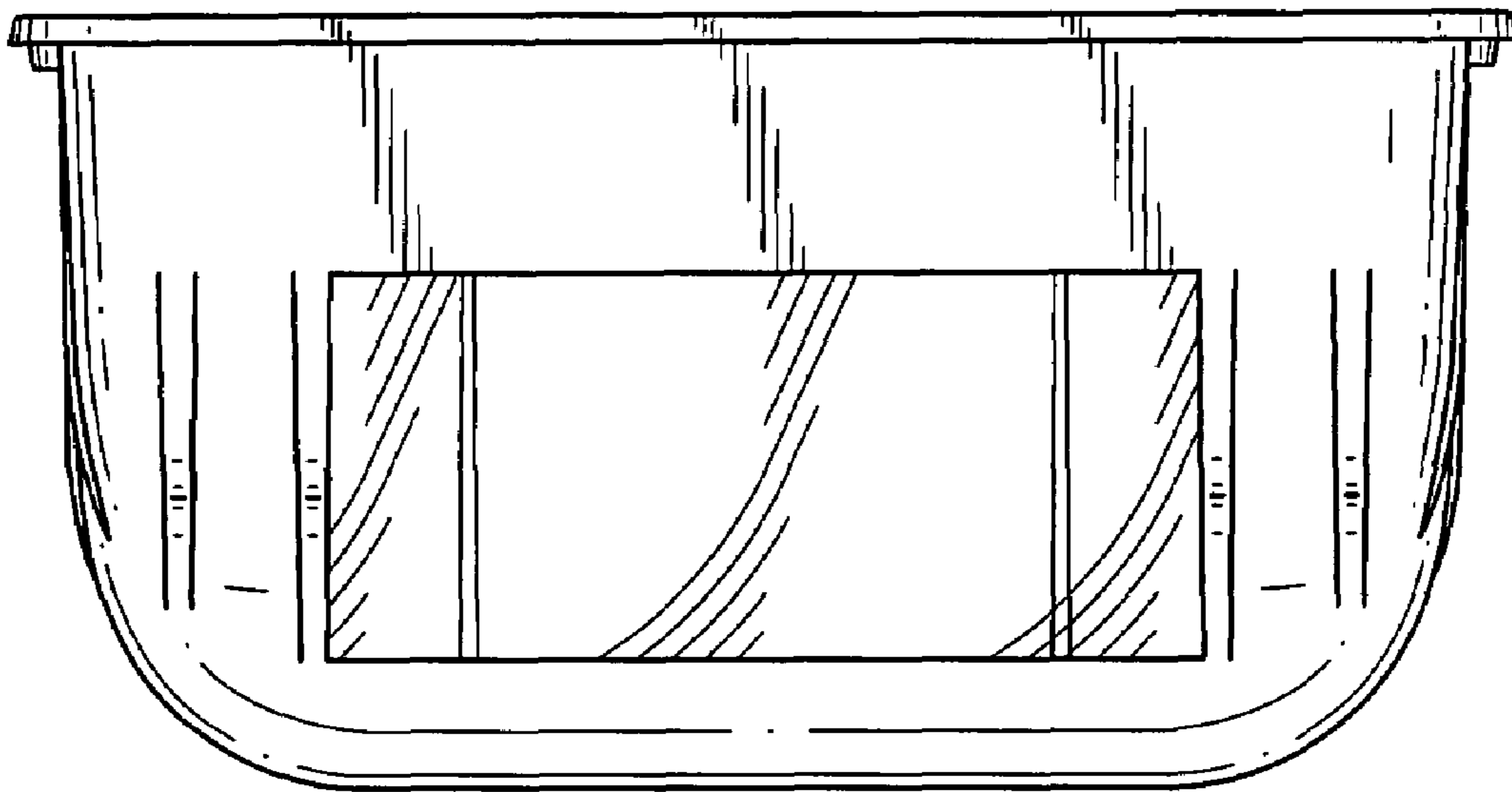


FIG. 3

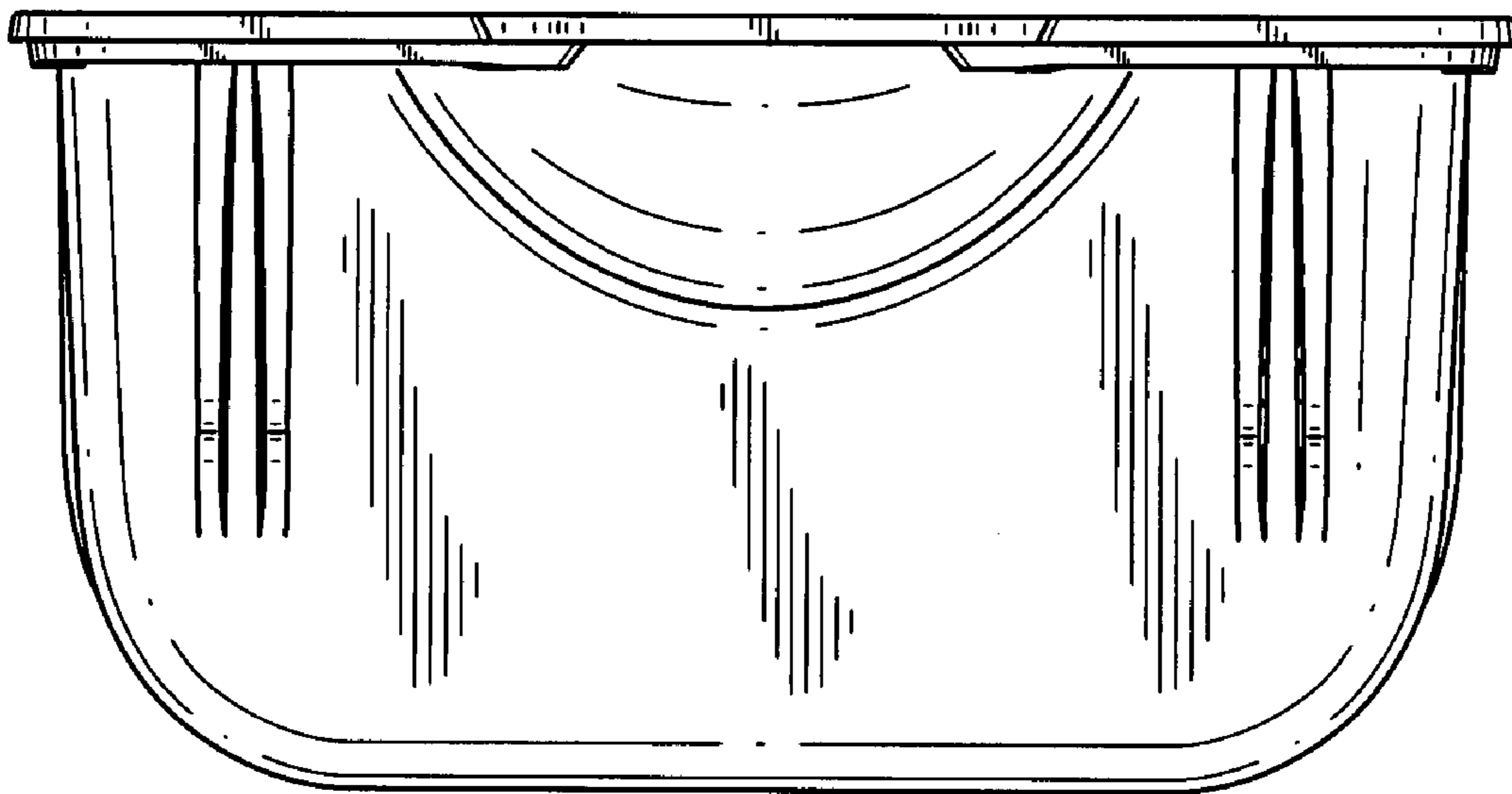


FIG. 4

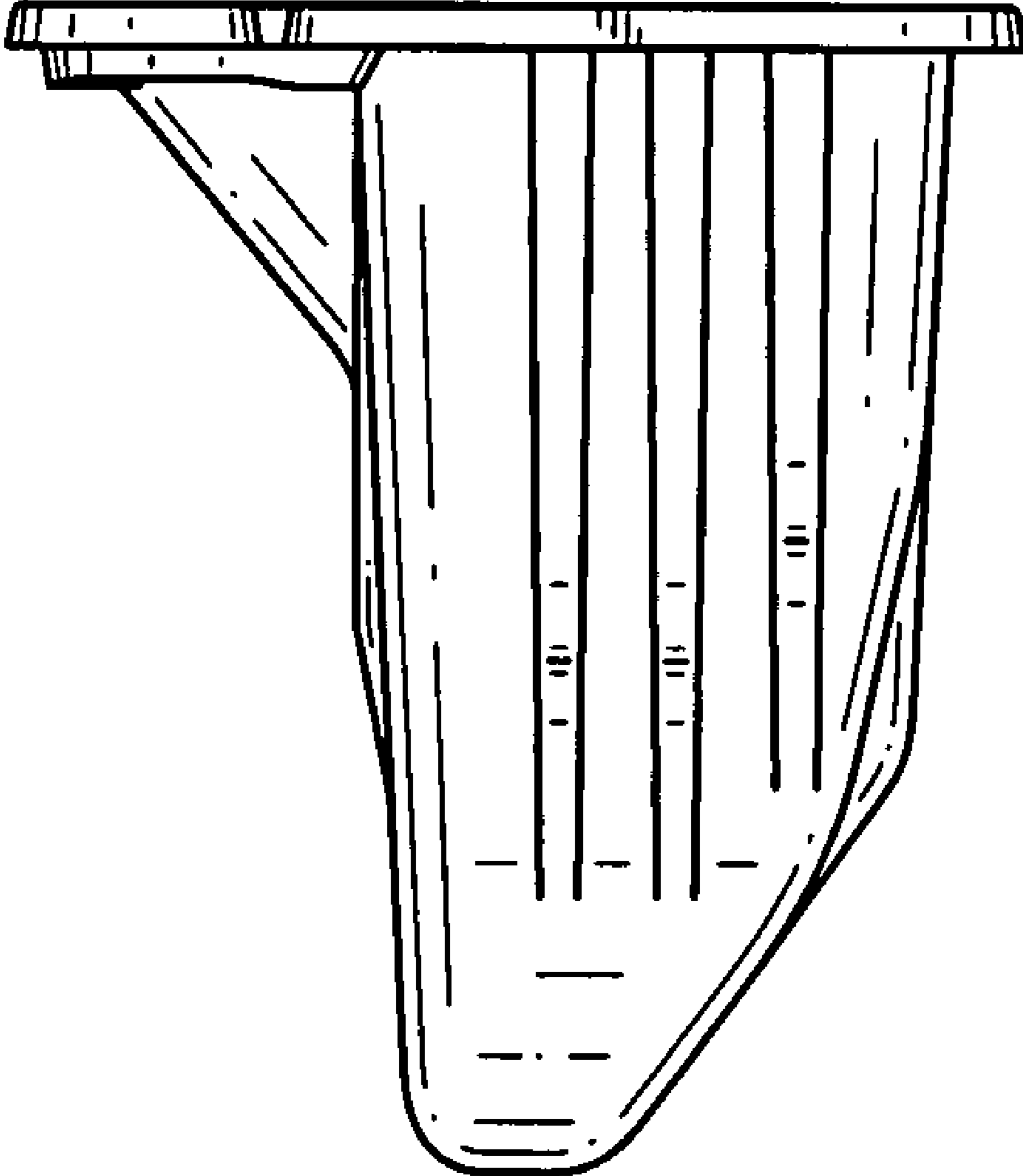


FIG. 5

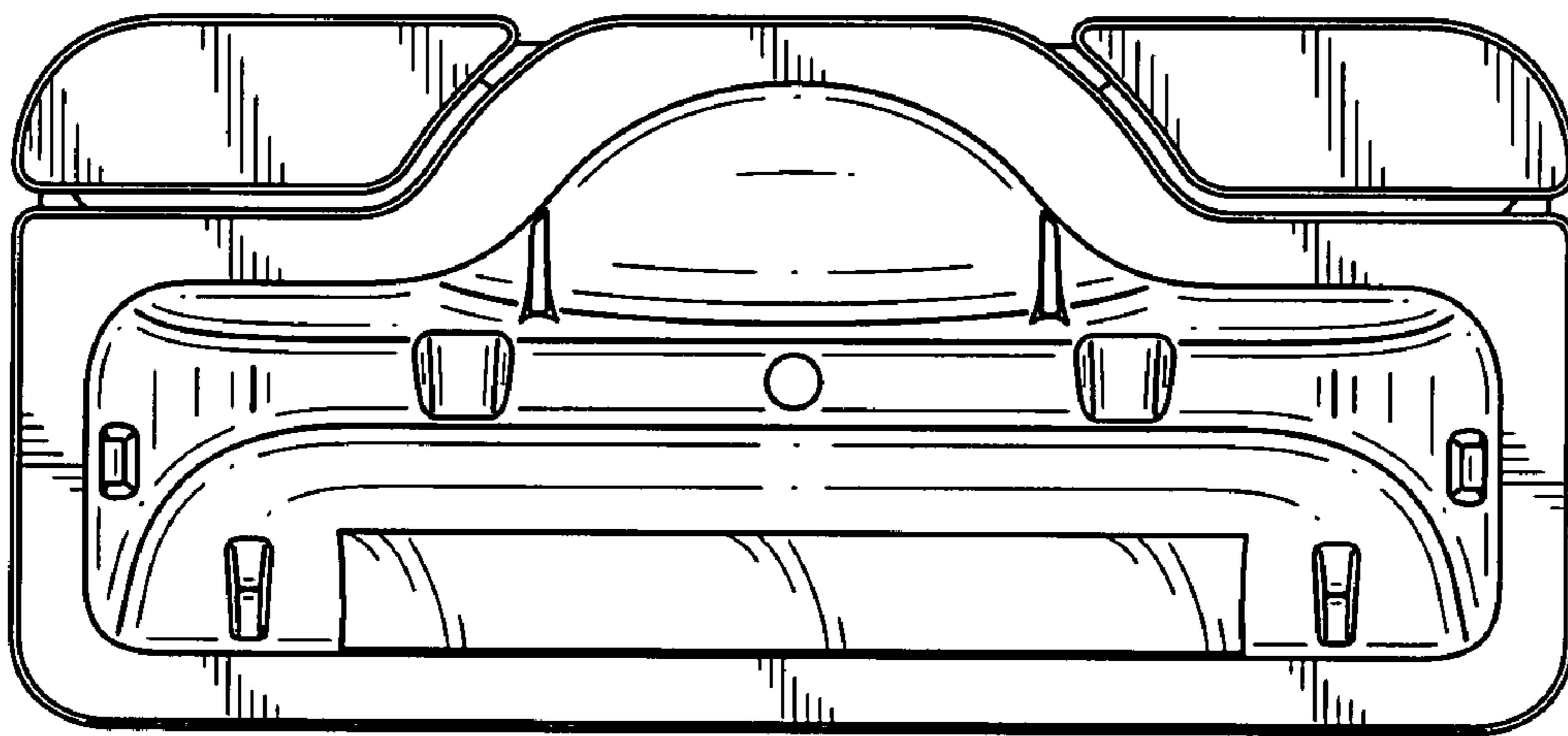


FIG. 6

