



US00D579340S

(12) **United States Design Patent**  
**Dickman et al.**

(10) **Patent No.:** **US D579,340 S**  
(45) **Date of Patent:** **\*\* Oct. 28, 2008**

(54) **DECORATIVE COLOGNE BOTTLE**

(75) Inventors: **Coryn Dickman**, Old Greenwich, CT (US); **Michael Murphy**, Elmhurst, IL (US)

(73) Assignee: **Helen of Troy Limited**, Belleville, St. Michael (BB)

(\*\*) Term: **14 Years**

(21) Appl. No.: **29/269,436**

(22) Filed: **Nov. 30, 2006**

(51) **LOC (8) Cl.** ..... **09-01**

(52) **U.S. Cl.** ..... **D9/558; D9/571**

(58) **Field of Classification Search** ..... D9/682,  
D9/686-694, 516, 529-530, 541-545, 549,  
D9/558, 571-575; D28/4, 7, 76, 82; 215/379,  
215/382-384; 220/660, 669, 670; D23/366,  
D23/369, 499

See application file for complete search history.

(56) **References Cited**

**U.S. PATENT DOCUMENTS**

2,248,011	A	*	7/1941	Neuschaefer	.....	215/228	X
D135,803	S	*	6/1943	Loewy	.....	D9/571	
D158,237	S	*	4/1950	Warren	.....	D9/571	
D252,445	S	*	7/1979	Rhodes	.....	D9/504	
D330,677	S	*	11/1992	Thornock et al.	.....	D9/558	
D345,920	S	*	4/1994	Gobe	.....	D9/571	

D346,115	S	*	4/1994	Meisner et al.	.....	D9/529	
D369,980	S	*	5/1996	Dinand	.....	D9/558	
D386,974	S	*	12/1997	Wefler	.....	D9/574	X
D392,895	S	*	3/1998	Kuzma et al.	.....	D9/558	
D406,770	S	*	3/1999	Rosen et al.	.....	D9/558	
D433,338	S	*	11/2000	Blaakman	.....	D9/542	
D463,291	S	*	9/2002	Kokubo et al.	.....	D9/558	
D480,316	S	*	10/2003	Wolpert et al.	.....	D9/574	
D498,146	S	*	11/2004	Densky et al.	.....	D9/571	
D523,754	S	*	6/2006	Williams	.....	D9/558	
D541,159	S	*	4/2007	Robinson	.....	D9/516	

\* cited by examiner

*Primary Examiner*—Carol Rademaker

(74) *Attorney, Agent, or Firm*—R. Wayne Pritchard, P.E.

(57) **CLAIM**

The ornamental design for a decorative cologne bottle, as shown.

**DESCRIPTION**

FIG. 1 is a perspective view of the decorative cologne bottle showing the new design;

FIG. 2 is a right side elevational view thereof;

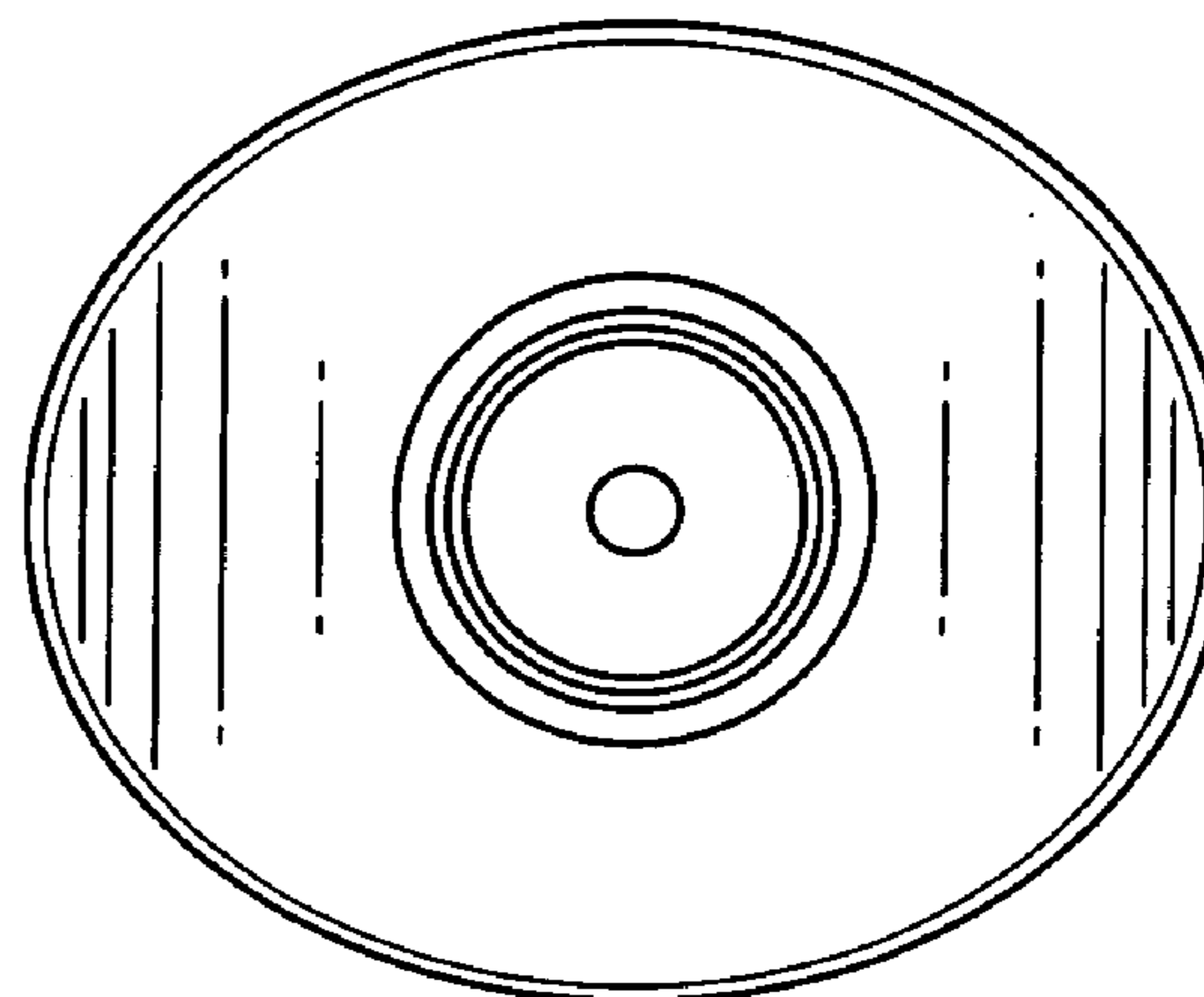
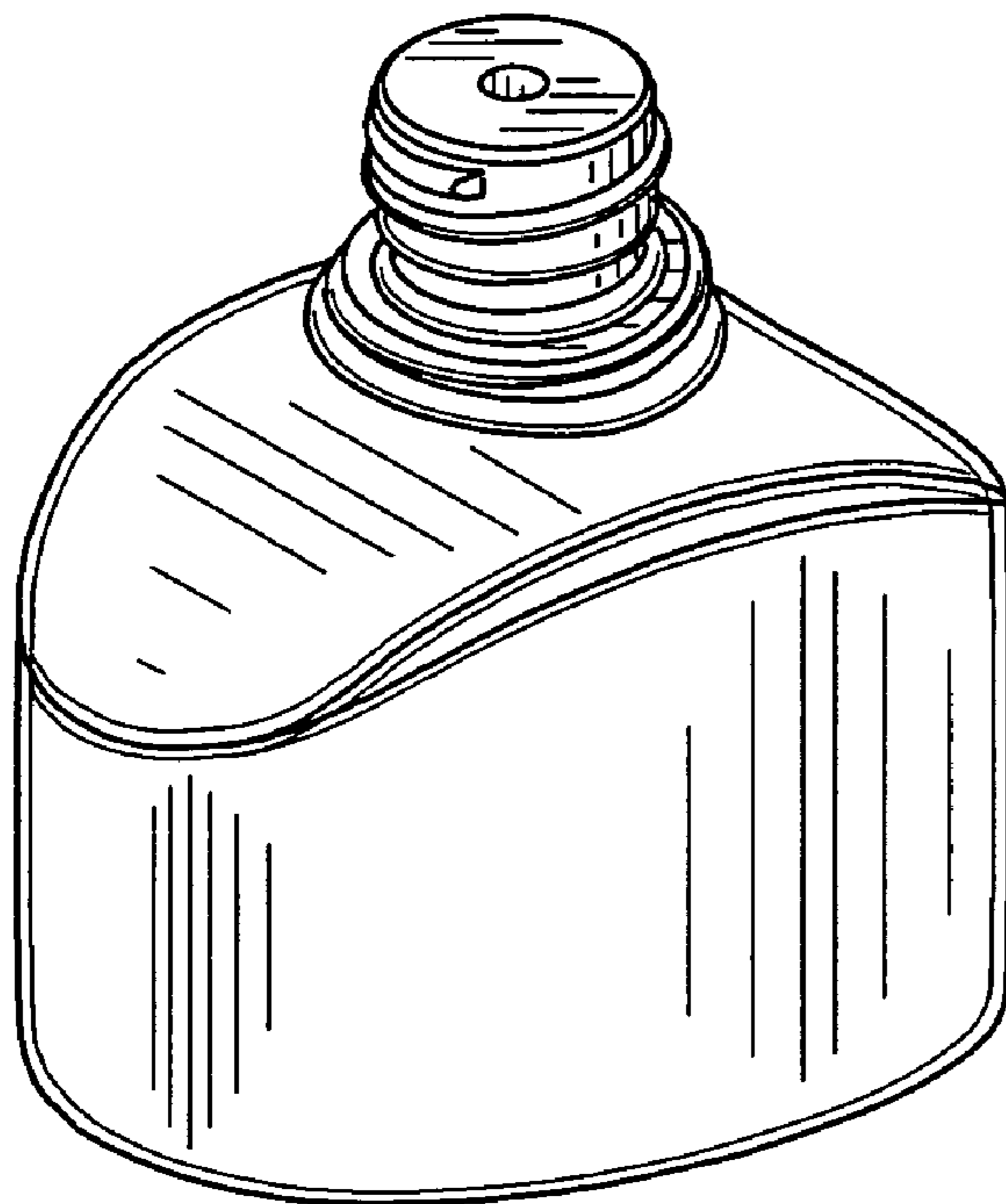
FIG. 3 is a front elevational view thereof;

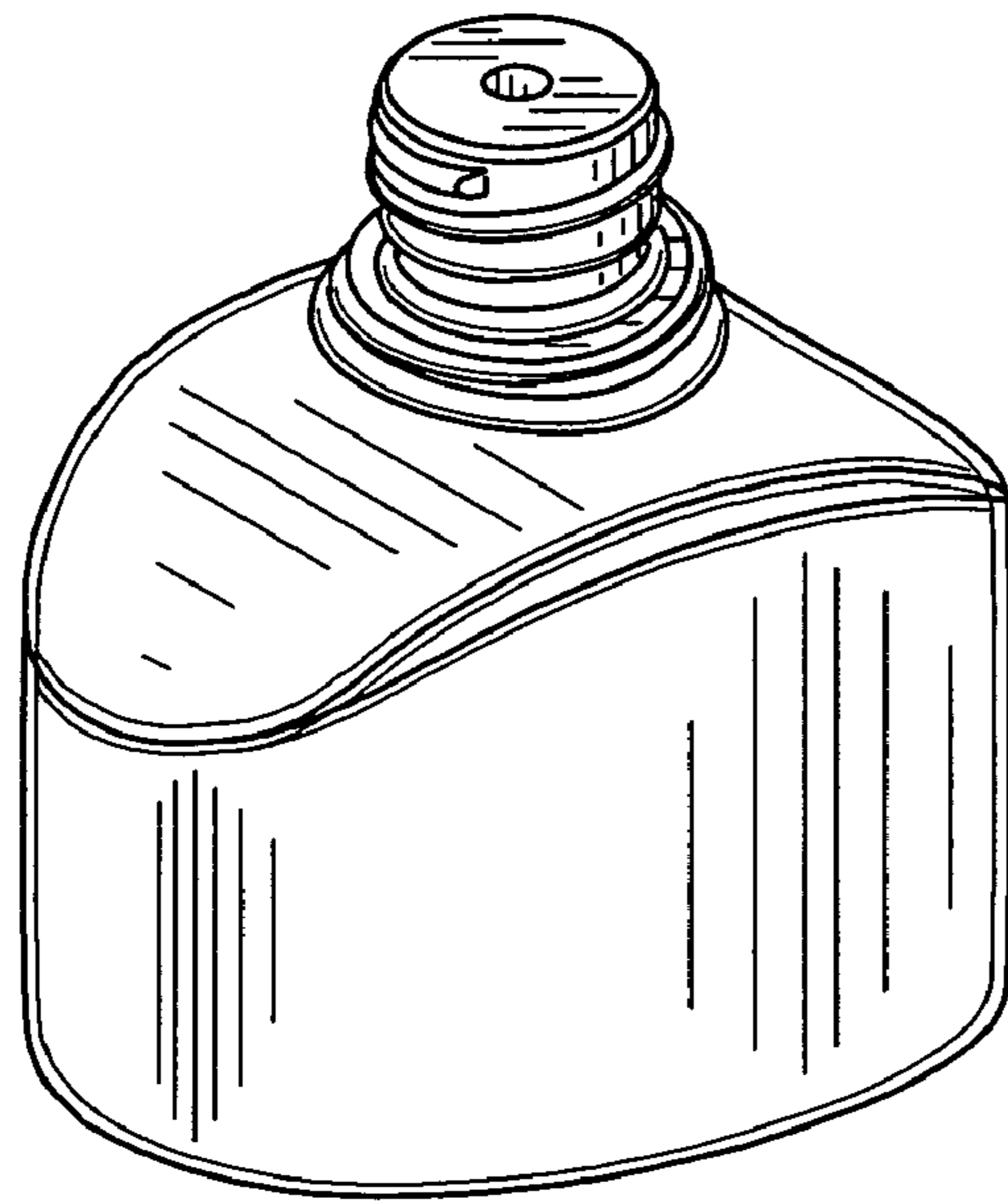
FIG. 4 is a top plan view thereof;

FIG. 5 is a left side elevational view thereof; and,

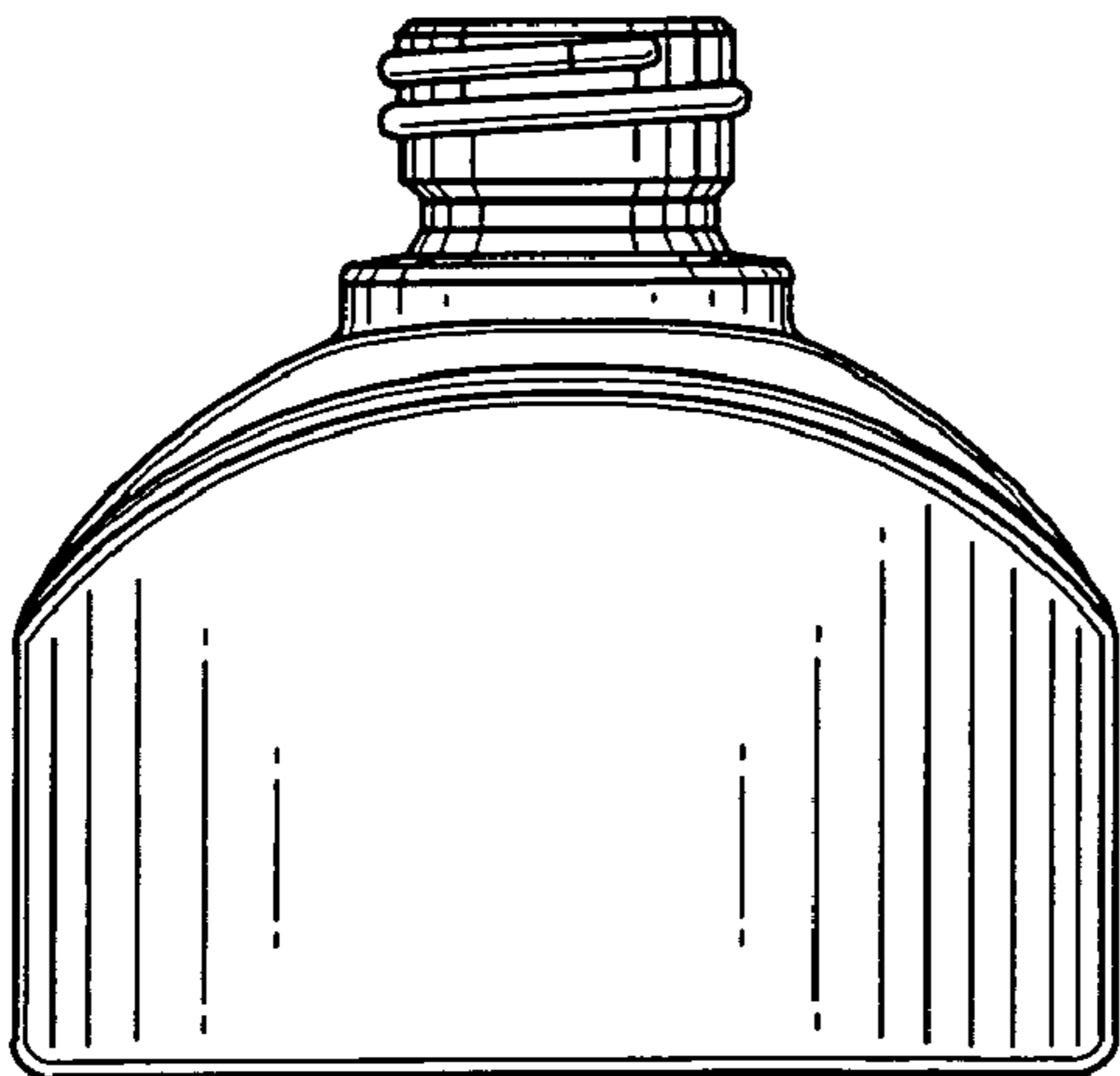
FIG. 6 is a back elevational view thereof.

**1 Claim, 2 Drawing Sheets**

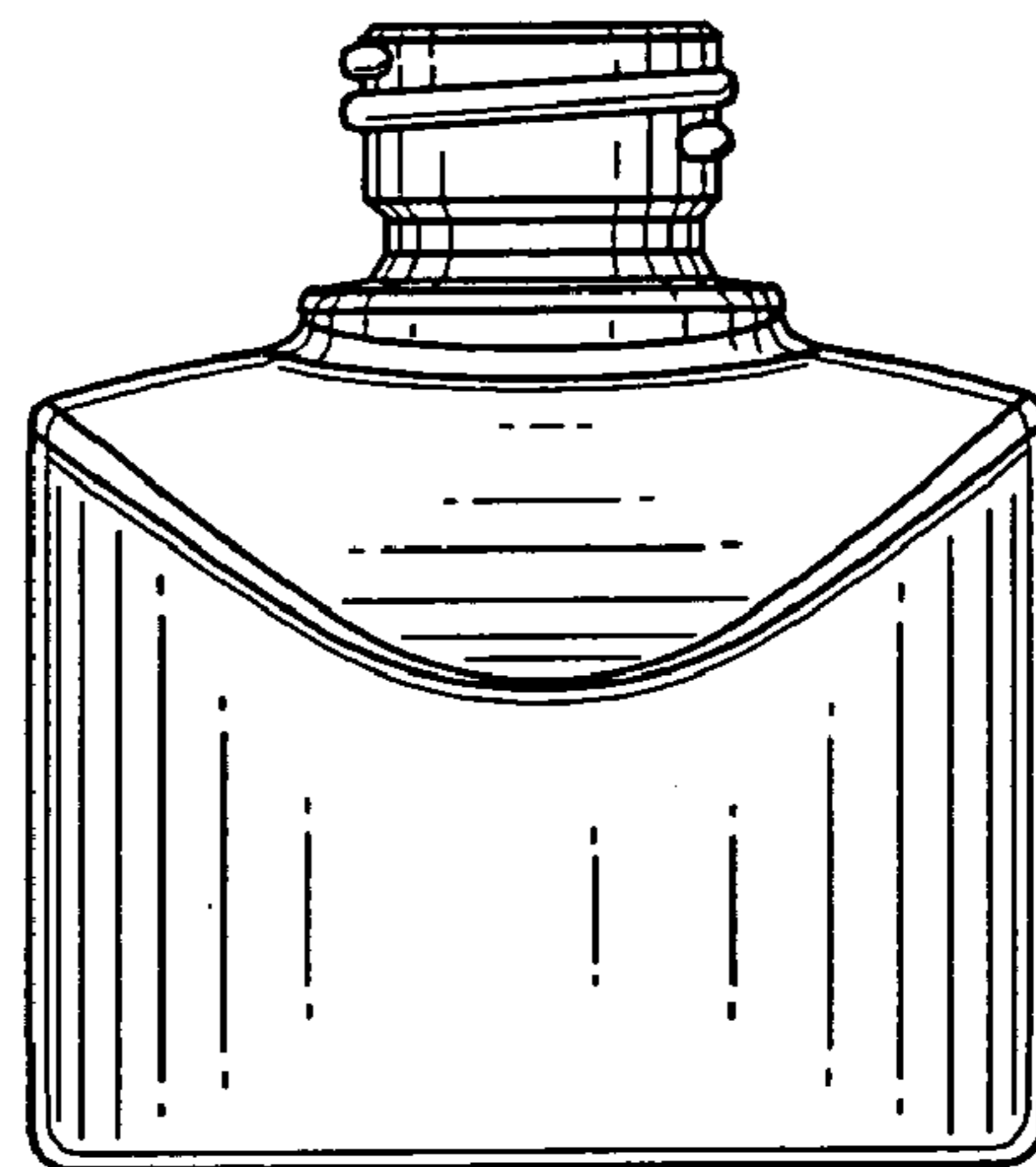




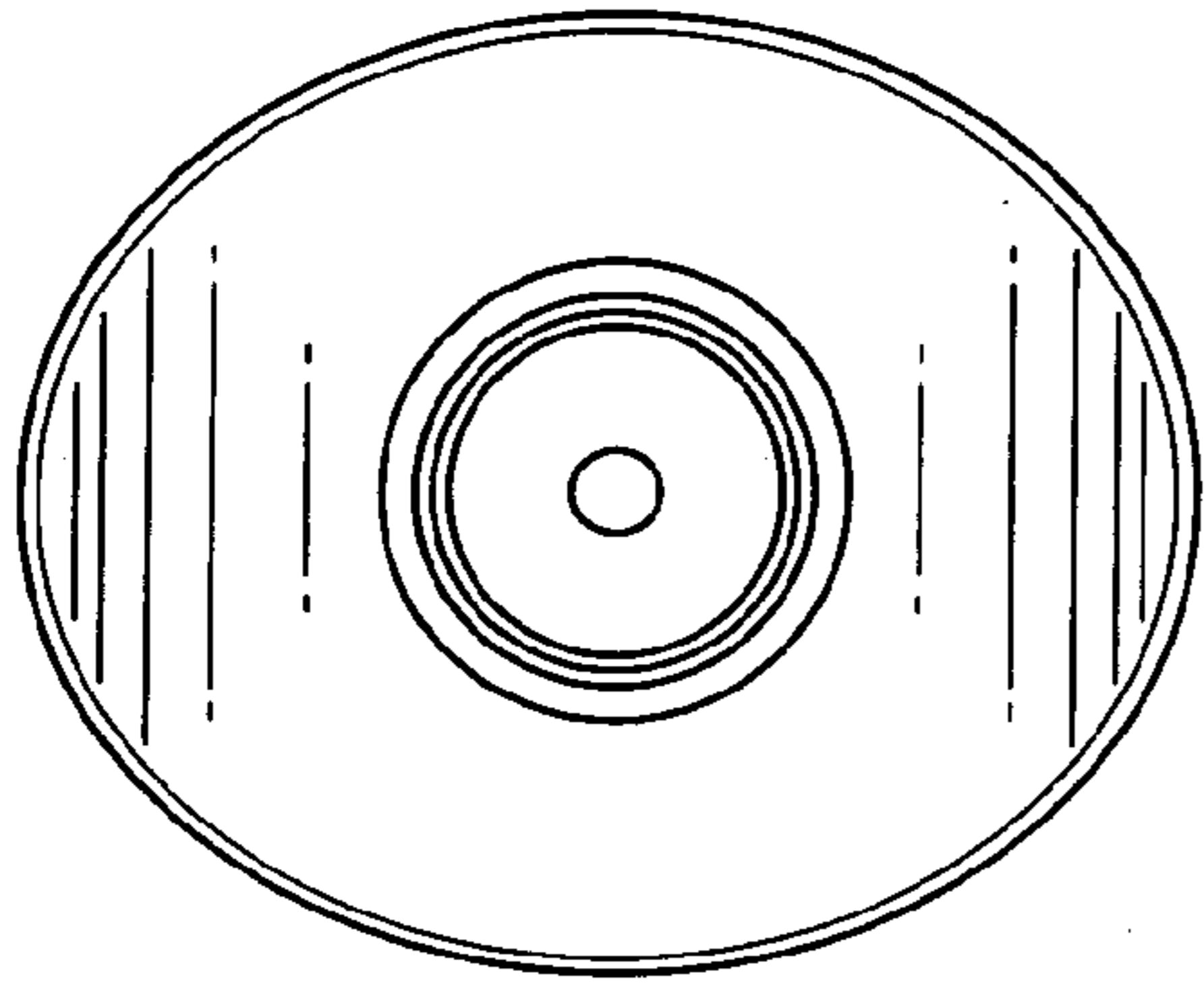
*Fig. 1*



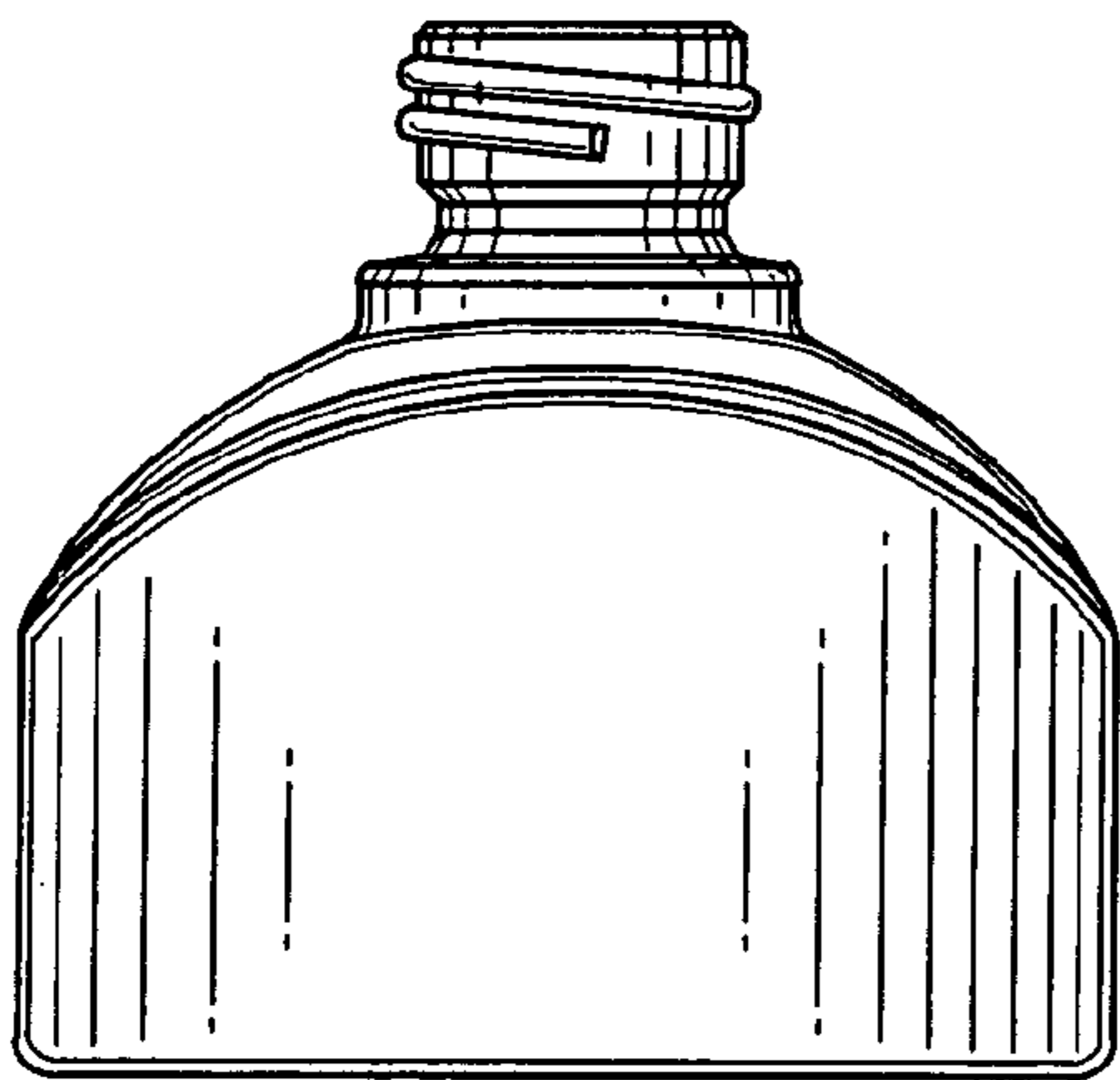
*Fig. 2*



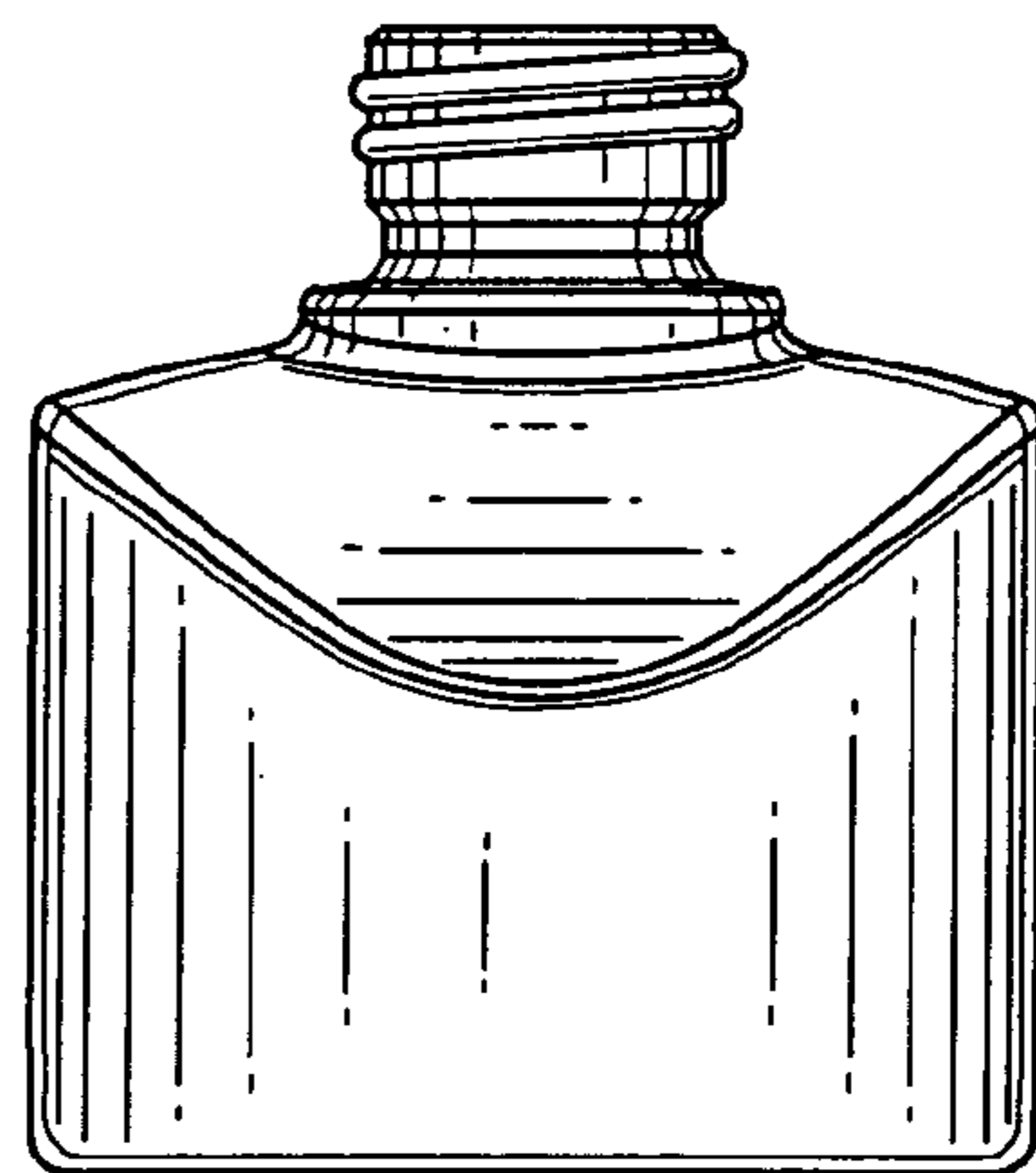
*Fig. 3*



*Fig. 4*



*Fig. 5*



*Fig. 6*