



US00D579332S

(12) **United States Design Patent**
Krivoshein

(10) **Patent No.:** **US D579,332 S**

(45) **Date of Patent:** **** Oct. 28, 2008**

(54) **PORTION OF A CLOSURE**

(75) Inventor: **Alex Krivoshein**, Molalla, OR (US)

(73) Assignee: **K&K Custom Packaging, Inc.**,
Hubbard, OR (US)

(**) Term: **14 Years**

(21) Appl. No.: **29/286,434**

(22) Filed: **May 4, 2007**

(51) **LOC (8) Cl.** **09-07**

(52) **U.S. Cl.** **D9/453; D9/452; D9/443**

(58) **Field of Classification Search** D9/454,
D9/453, 452, 451, 447, 443, 441, 438, 435;
D7/396.4, 391; D23/250; 215/329, 305,
215/295, 256, 252, 246

See application file for complete search history.

(56) **References Cited**

U.S. PATENT DOCUMENTS

D93,650	S	*	10/1934	Fleisch	D9/453
D101,623	S	*	10/1936	Fleisch	D9/453
D202,938	S	*	11/1965	Danks	D9/453
D287,045	S	*	12/1986	Yost	D23/250
D291,868	S	*	9/1987	Hindle	D9/453
4,832,214	A	*	5/1989	Schrader et al.	215/276
D357,865	S	*	5/1995	Hansen	D9/453
D375,264	S	*	11/1996	Galarza et al.	D9/453

6,253,942	B1	*	7/2001	Elias	D9/443
6,363,579	B1	*	4/2002	King, Jr.	16/441
D487,700	S	*	3/2004	Bourque et al.	D9/453
D491,063	S		6/2004	Hicks et al.		
6,811,047	B1		11/2004	Hicks et al.		
D568,450	S	*	5/2008	King et al.	D9/453

* cited by examiner

Primary Examiner—Gary D. Watson

Assistant Examiner—Susan Bennett Hattan

(74) *Attorney, Agent, or Firm*—Klarquist Sparkman, LLP

(57) **CLAIM**

I claim the ornamental design for a portion of a closure, as shown and described.

DESCRIPTION

FIG. 1 is a perspective view of a portion of a closure, according to my new design.

FIG. 2 is a front elevational view of the closure of FIG. 1, the opposite side being a mirror image thereof.

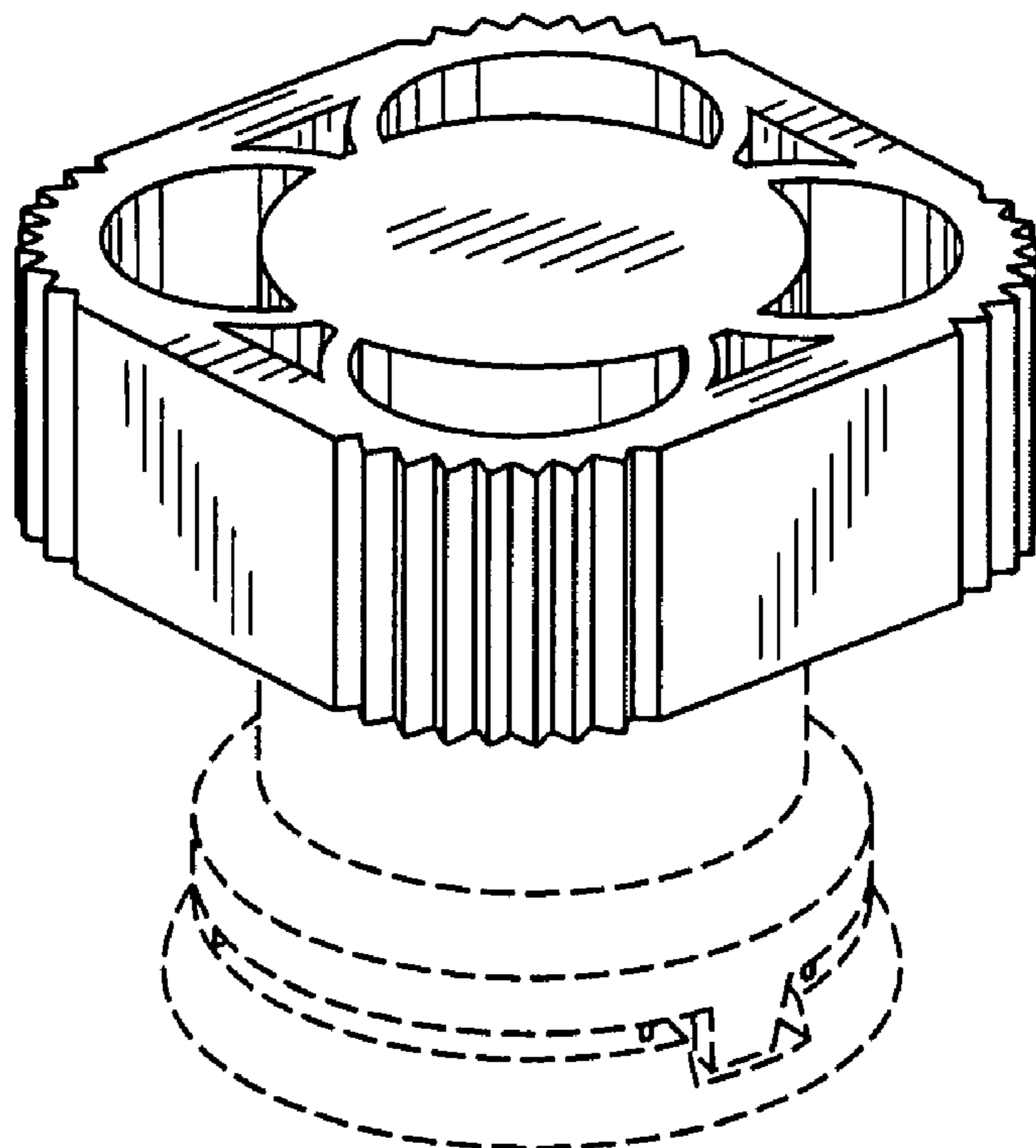
FIG. 3 is a top plan view of the closure of FIG. 1.

FIG. 4 is a side elevational view of the closure of FIG. 1, the opposite side being a mirror image thereof; and,

FIG. 5 is a bottom plan view of the closure of FIG. 1.

The dashed lines in the drawings are for illustrative purposes only and form no part of the claimed design.

1 Claim, 1 Drawing Sheet



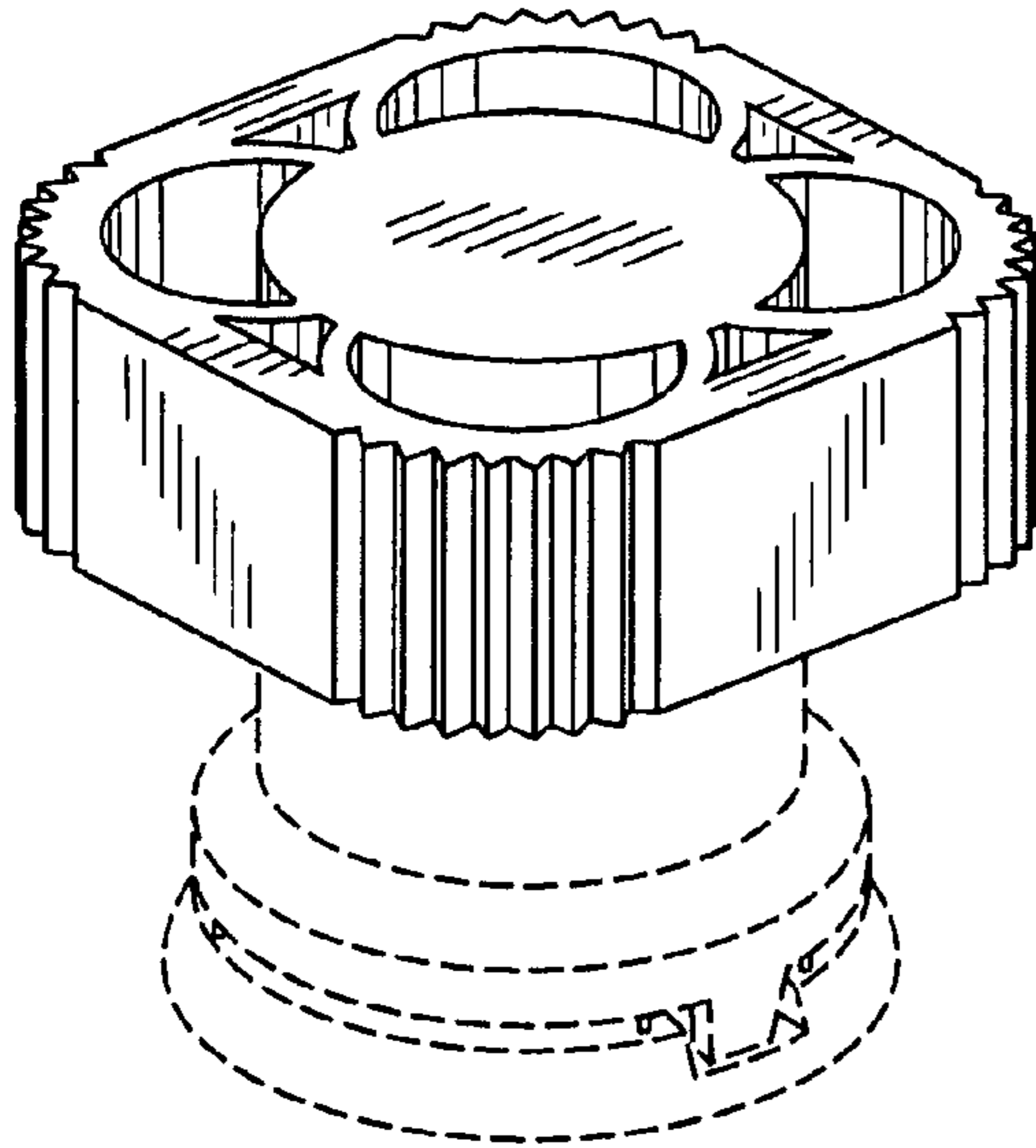


FIG. 1

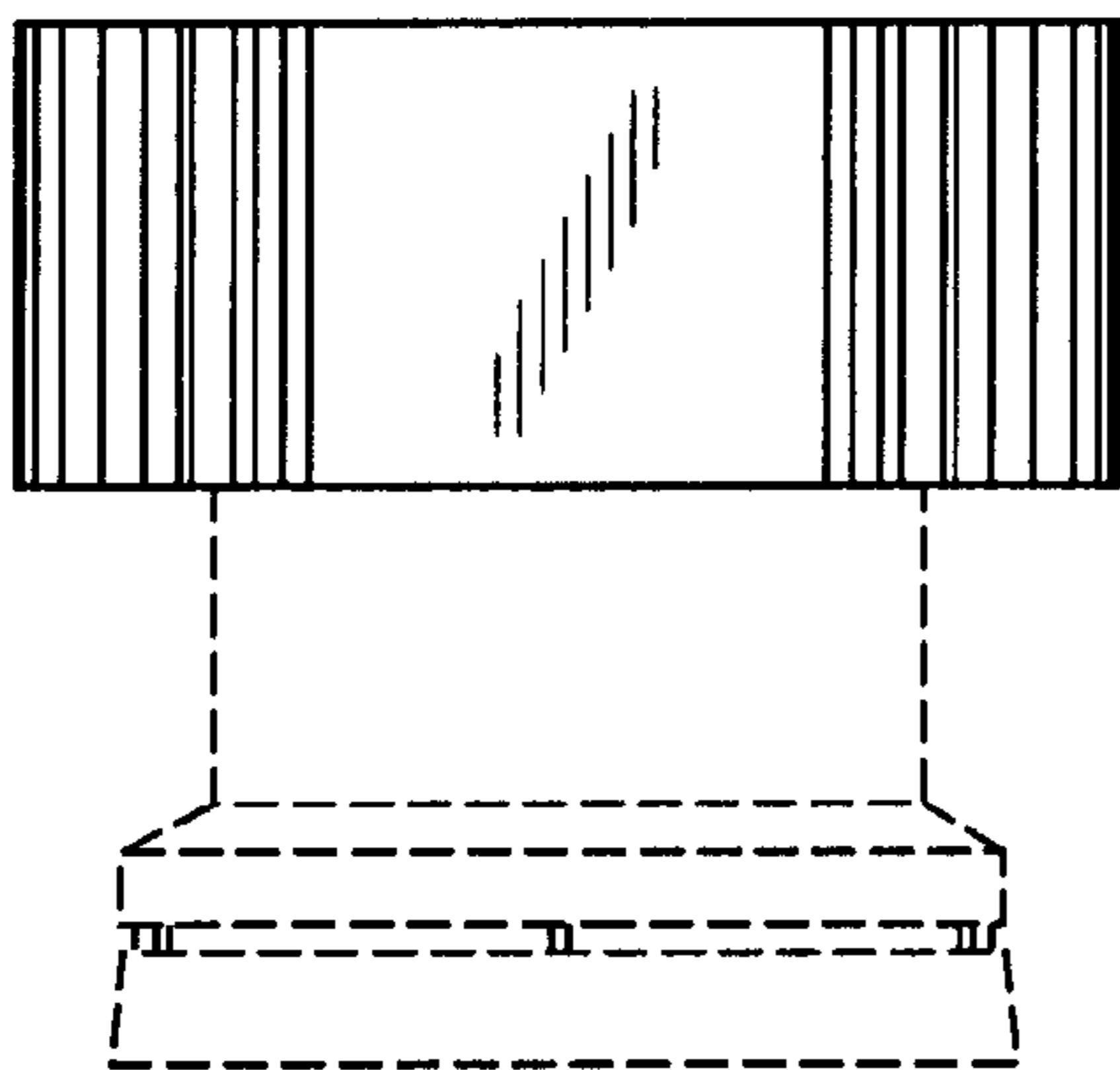


FIG. 2

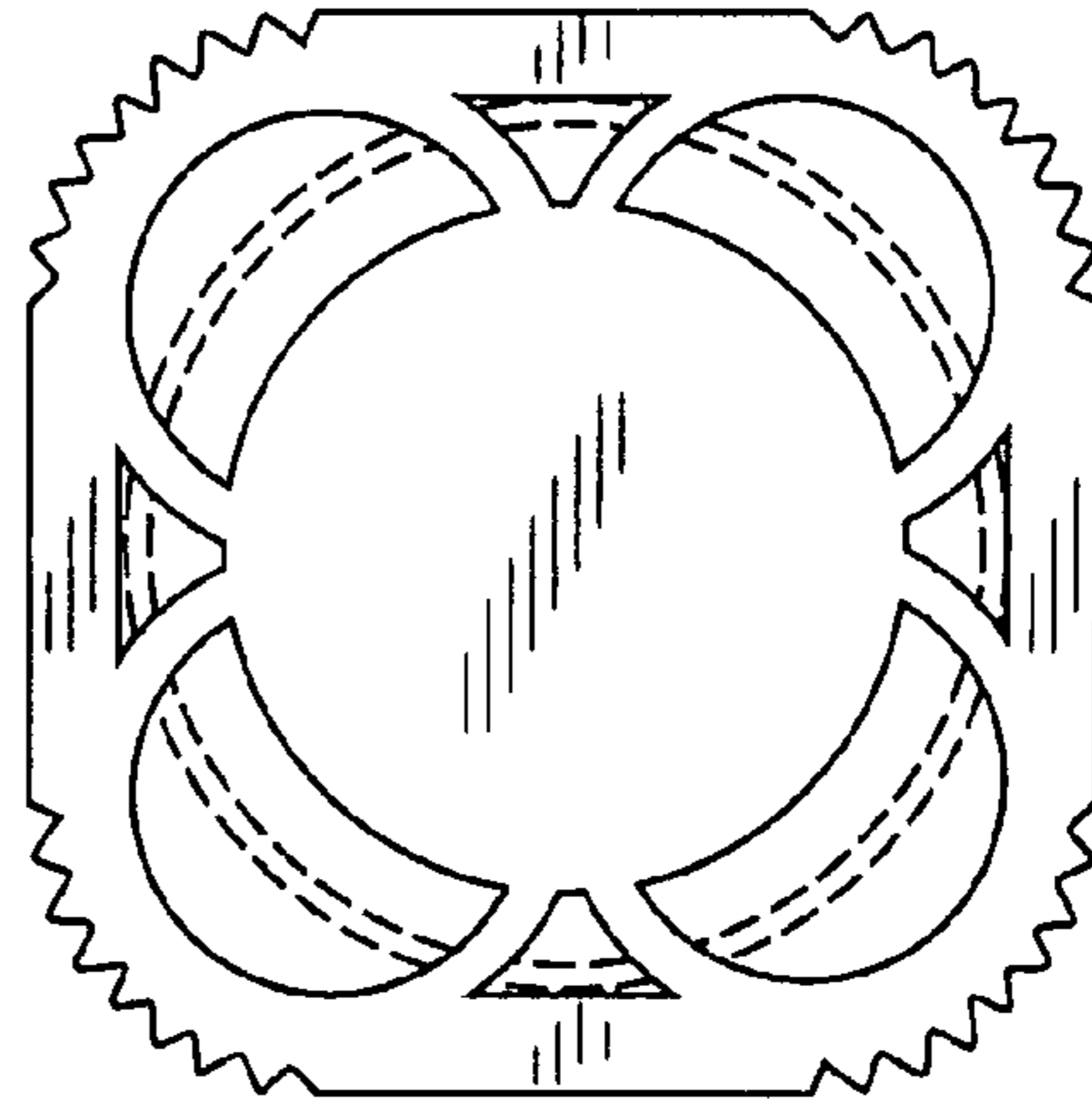


FIG. 3

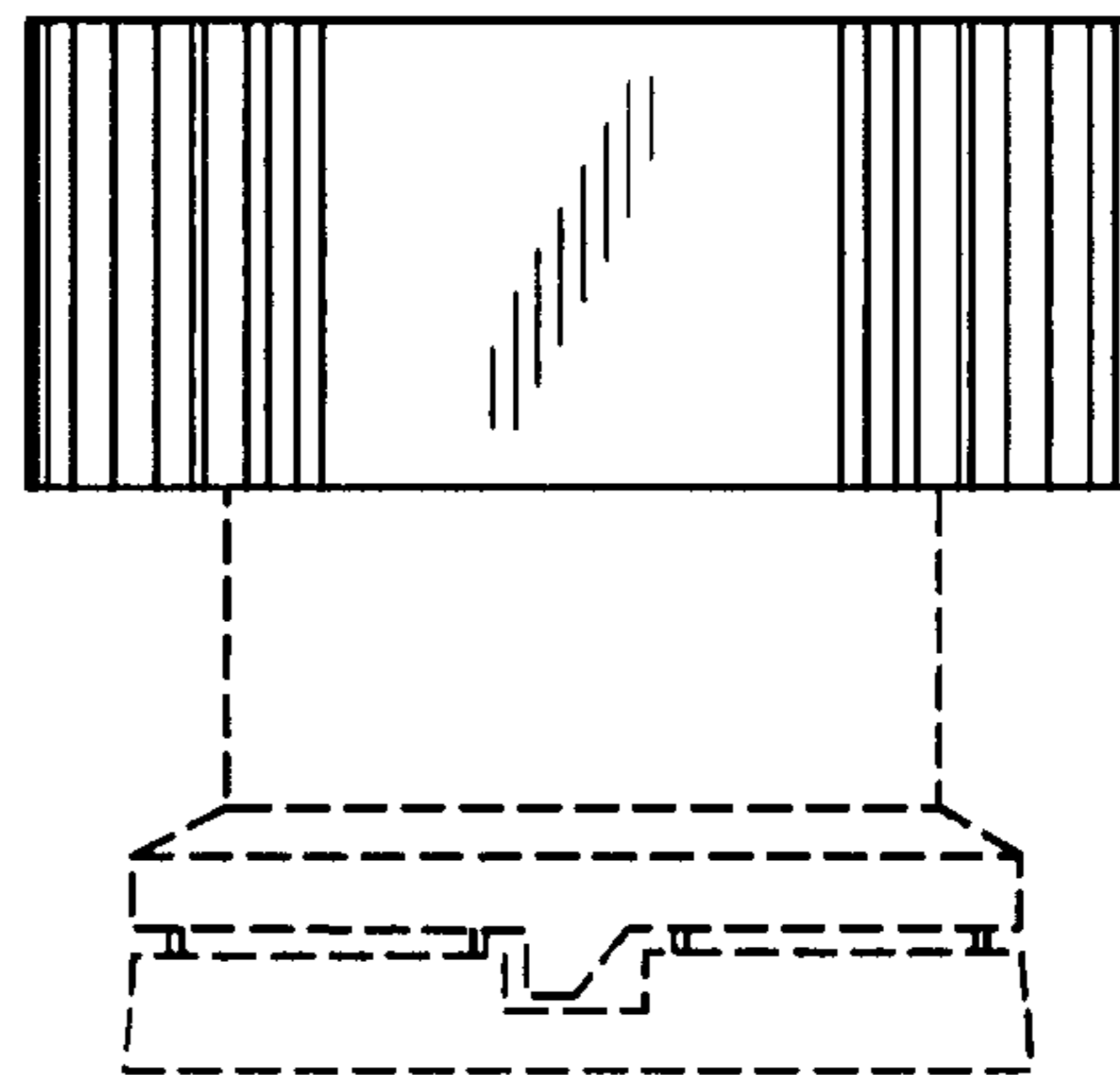


FIG. 4

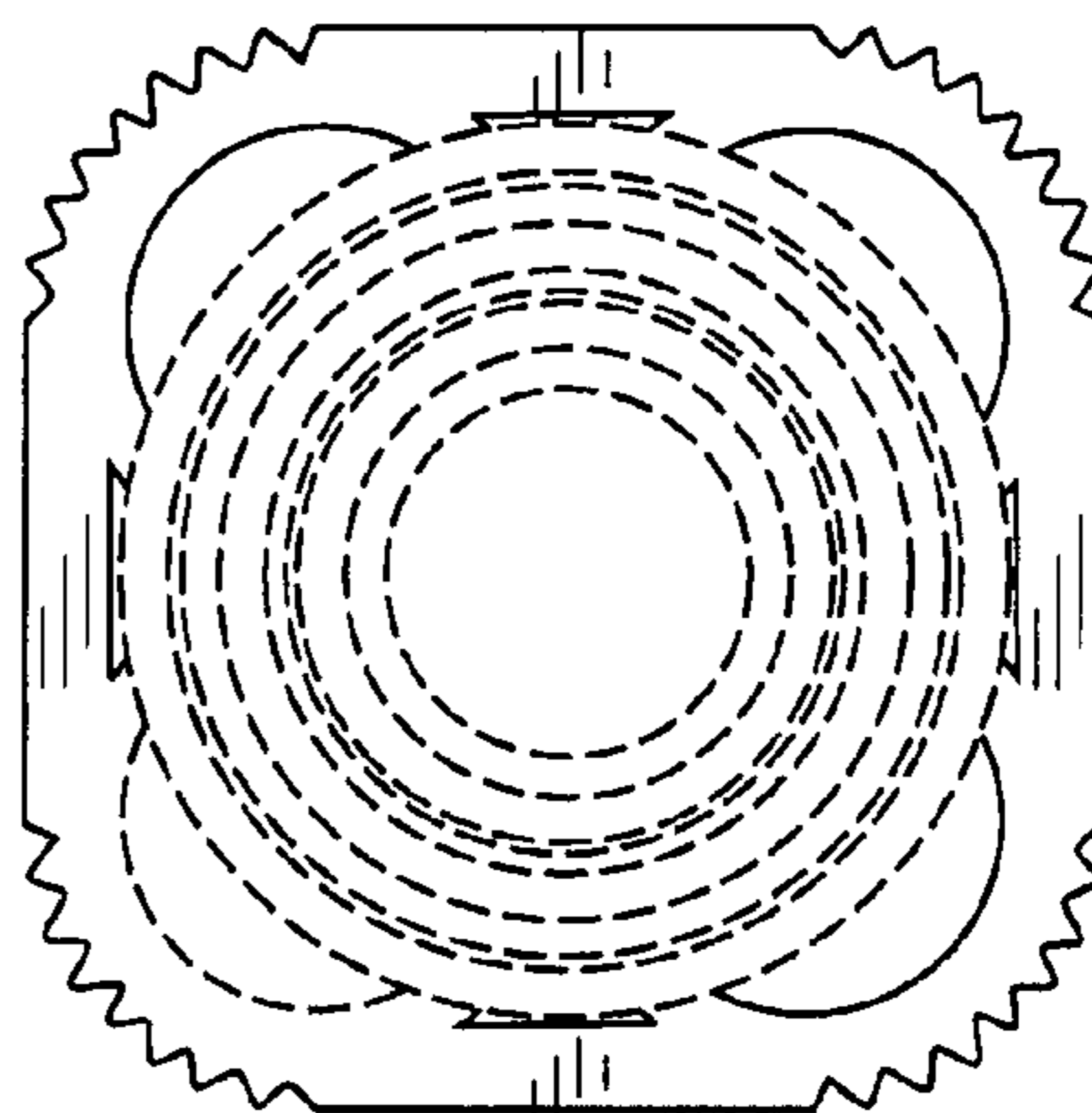


FIG. 5